



US00D933664S

(12) **United States Design Patent**
Kim

(10) **Patent No.:** **US D933,664 S**

(45) **Date of Patent:** **** Oct. 19, 2021**

(54) **DOCKING STATION**

(71) Applicant: **LG ELECTRONICS INC.**, Seoul (KR)

(72) Inventor: **Byungkyu Kim**, Seoul (KR)

(73) Assignee: **LG ELECTRONICS INC.**, Seoul (KR)

(**) Term: **15 Years**

(21) Appl. No.: **35/508,885**

(22) Filed: **Sep. 26, 2019**

(80) **Hague Agreement Data**

Int. Filing Date: **Sep. 26, 2019**

Int. Reg. No.: **DM/204922**

Int. Reg. Date: **Sep. 26, 2019**

Int. Reg. Pub. Date: **Mar. 27, 2020**

(30) **Foreign Application Priority Data**

Mar. 27, 2019 (KR) 30-2019-0013898

(51) **LOC (13) Cl.** **14-02**

(52) **U.S. Cl.**
USPC **D14/434**

(58) **Field of Classification Search**

USPC D14/356, 358, 432, 433, 434, 447, 149,
D14/168, 217, 224, 224.1, 238.1, 251,
D14/252, 253

CPC G06F 1/16; G06F 1/1626; G06F 1/1632;
G06F 1/1675; G06F 1/1688; F16M 11/10;
F16M 11/24; H05K 5/0234; H04M 1/04

See application file for complete search history.

(56) **References Cited**

U.S. PATENT DOCUMENTS

D633,503 S * 3/2011 Bo D14/434
D656,482 S * 3/2012 Colquhoun D14/209.1

D726,690 S * 4/2015 Andre D14/217
D734,384 S * 7/2015 Han D16/242
D784,343 S * 4/2017 Chen D14/434
D841,010 S * 2/2019 Kong D14/435.1
D853,396 S * 7/2019 Kong D14/434
D858,530 S * 9/2019 Liao D14/434
D869,468 S * 12/2019 Wang D14/434
D875,097 S * 2/2020 Martin D14/434
D893,069 S * 8/2020 Bertken D26/37
D902,212 S * 11/2020 Sjogren D14/434
2011/0134601 A1 * 6/2011 Sa G06F 1/1632
361/679.43
2017/0140363 A1 * 5/2017 Hicks G06K 7/10762
2019/0314249 A1 * 10/2019 Thompson G16H 40/63

* cited by examiner

Primary Examiner — Bao-Yen T Nguyen

(74) *Attorney, Agent, or Firm* — Birch, Stewart, Kolasch & Birch, LLP

(57) **CLAIM**

The ornamental design for a docking station, as shown and described.

DESCRIPTION

1. Docking station

1.1 : Perspective

1.2 : Front

1.3 : Back

1.4 : Left

1.5 : Right

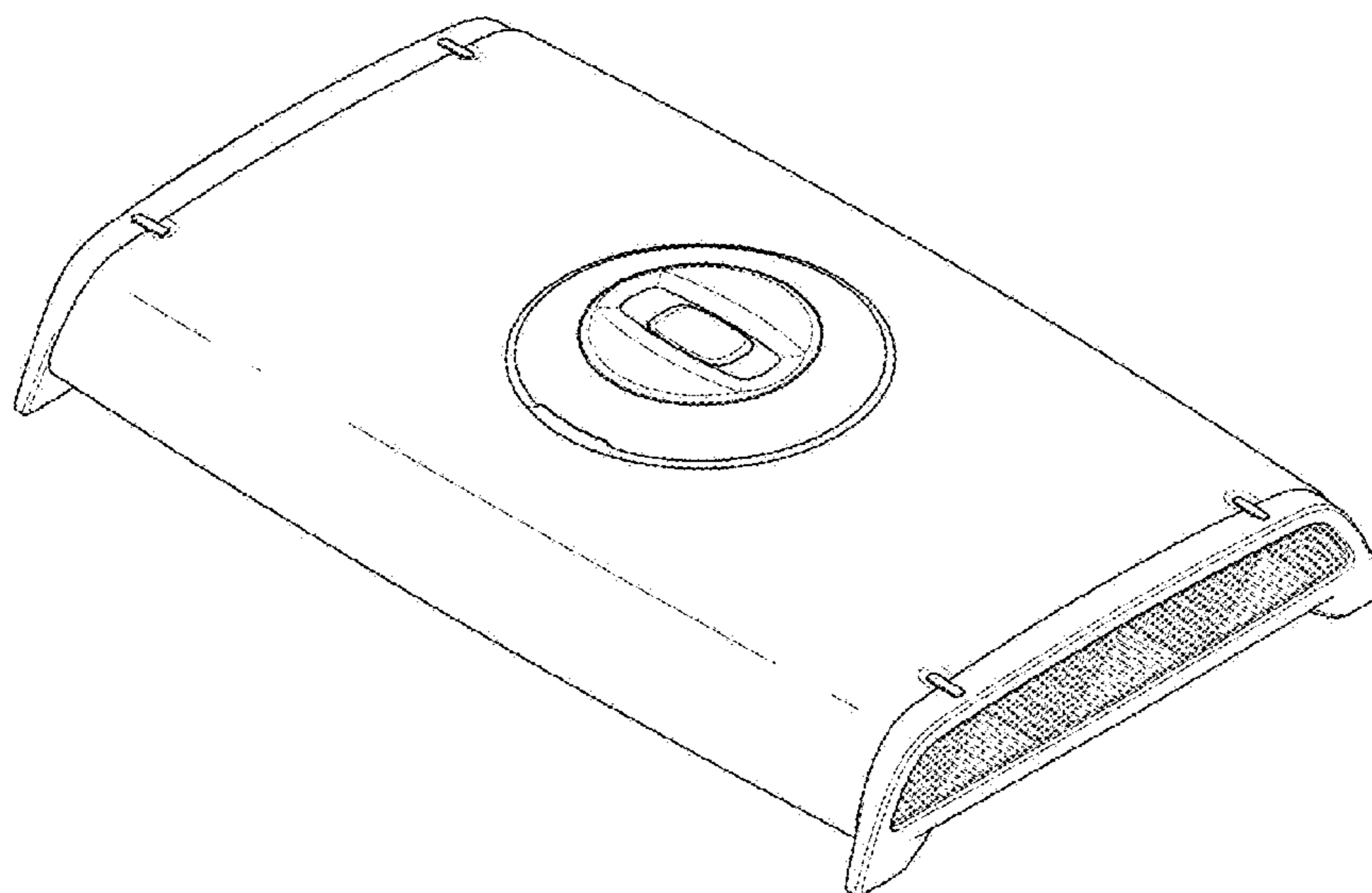
1.6 : Top

1.7 : Bottom

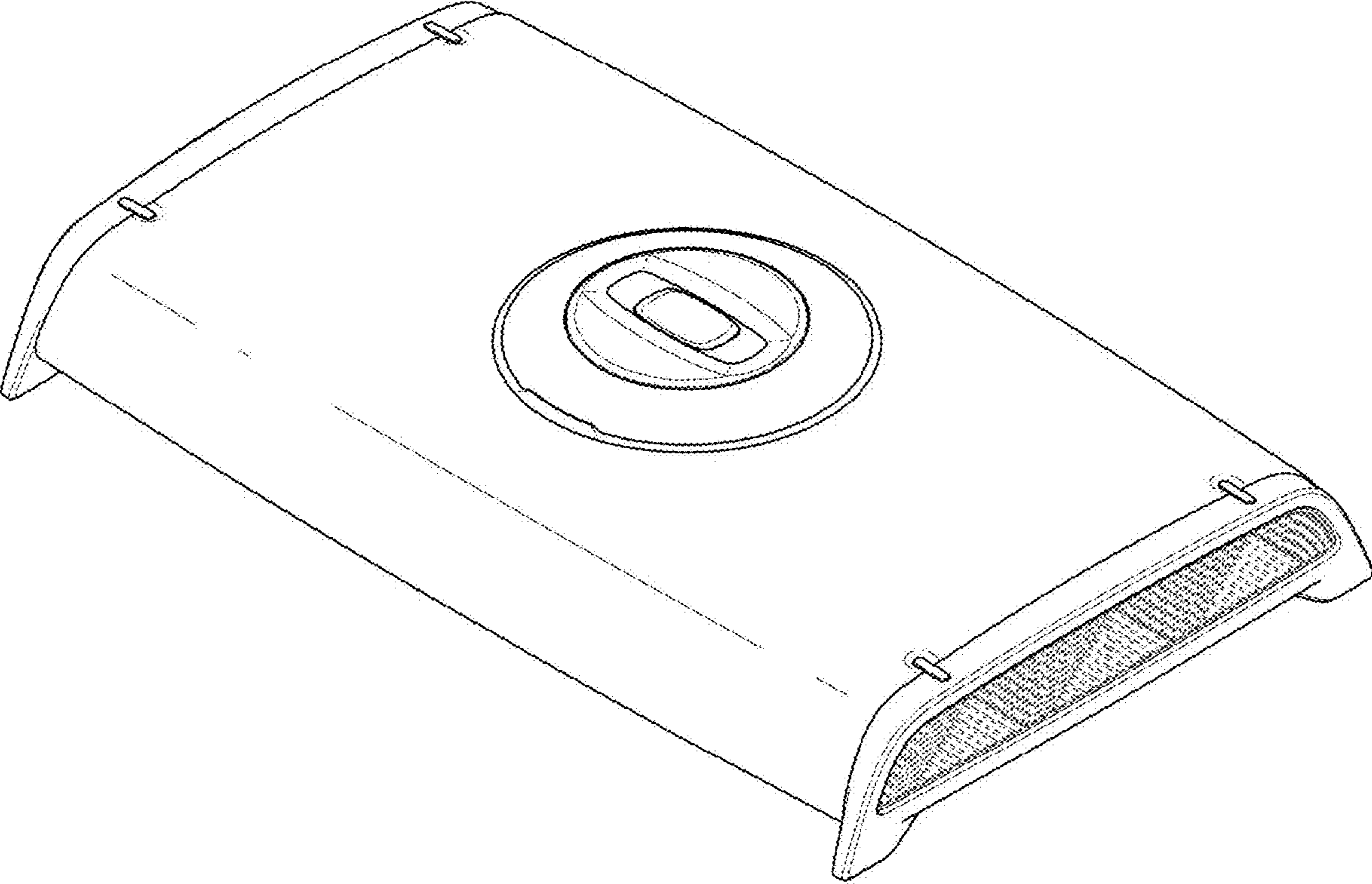
1.8 : Reference

Reproduction 1.8 is a reference view showing a state of use in which a smart key is connected to a docking station; the broken lines showing portions of the article and the smart key in Reproduction 1.8 form no part of the claimed design.

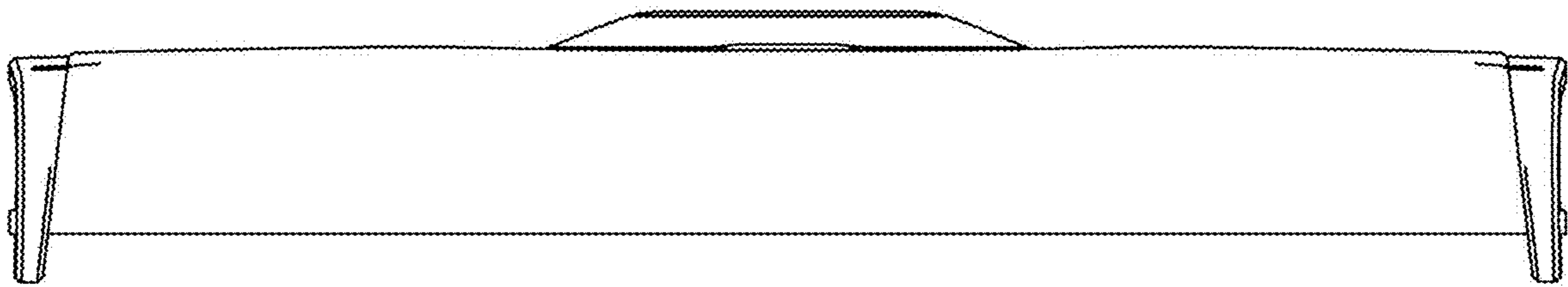
1 Claim, 8 Drawing Sheets



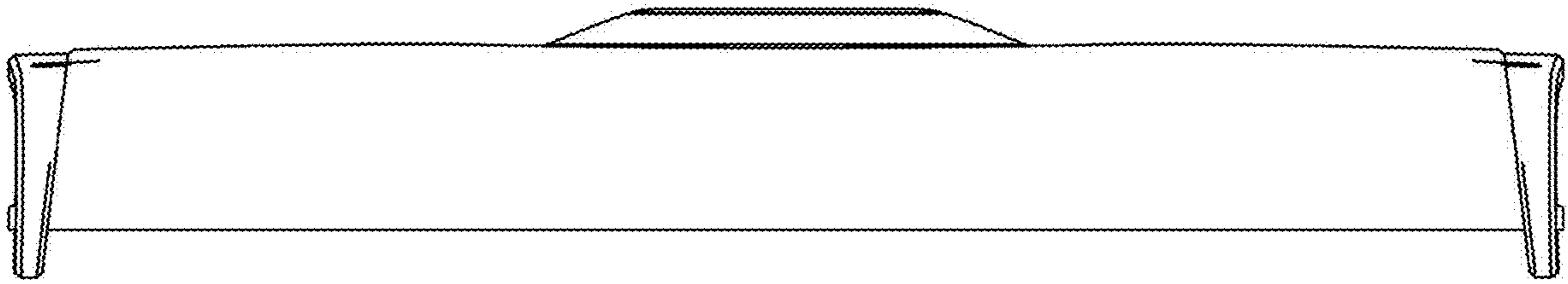
1.1



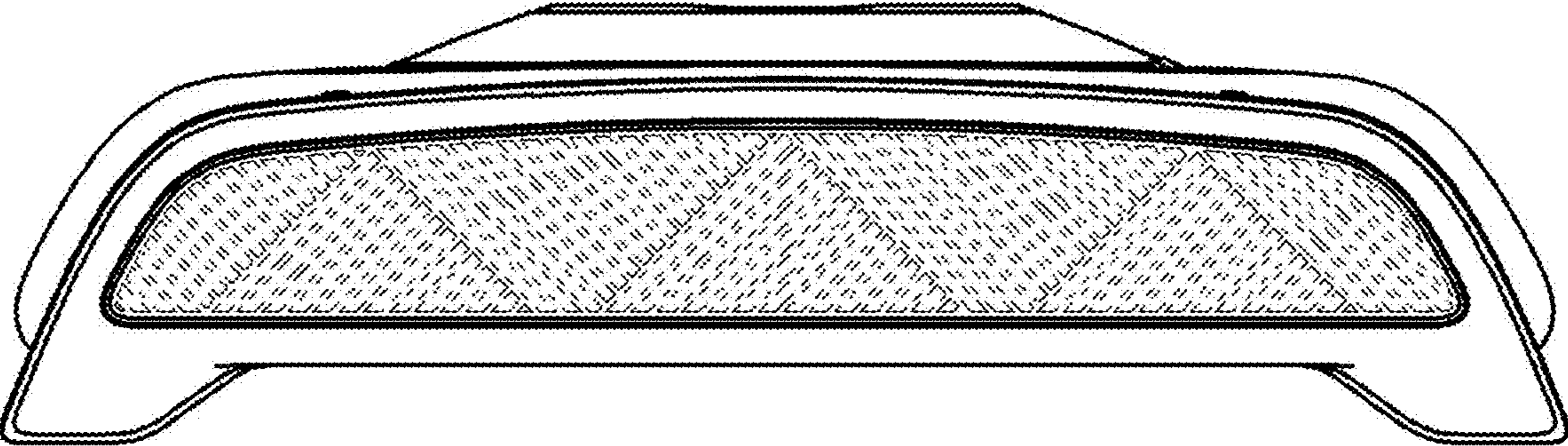
1.2



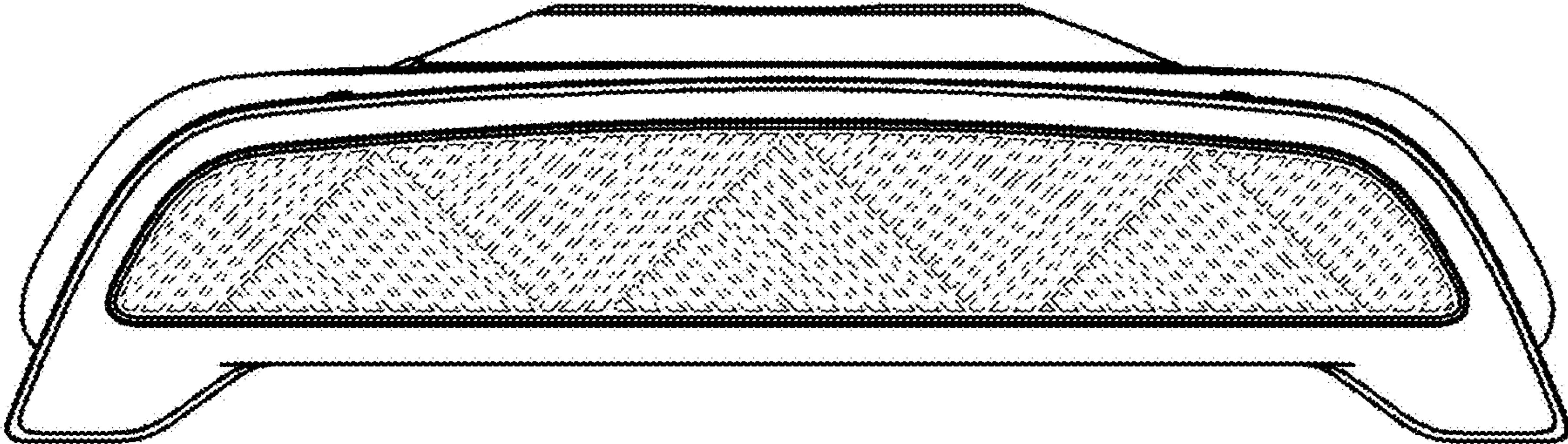
1.3



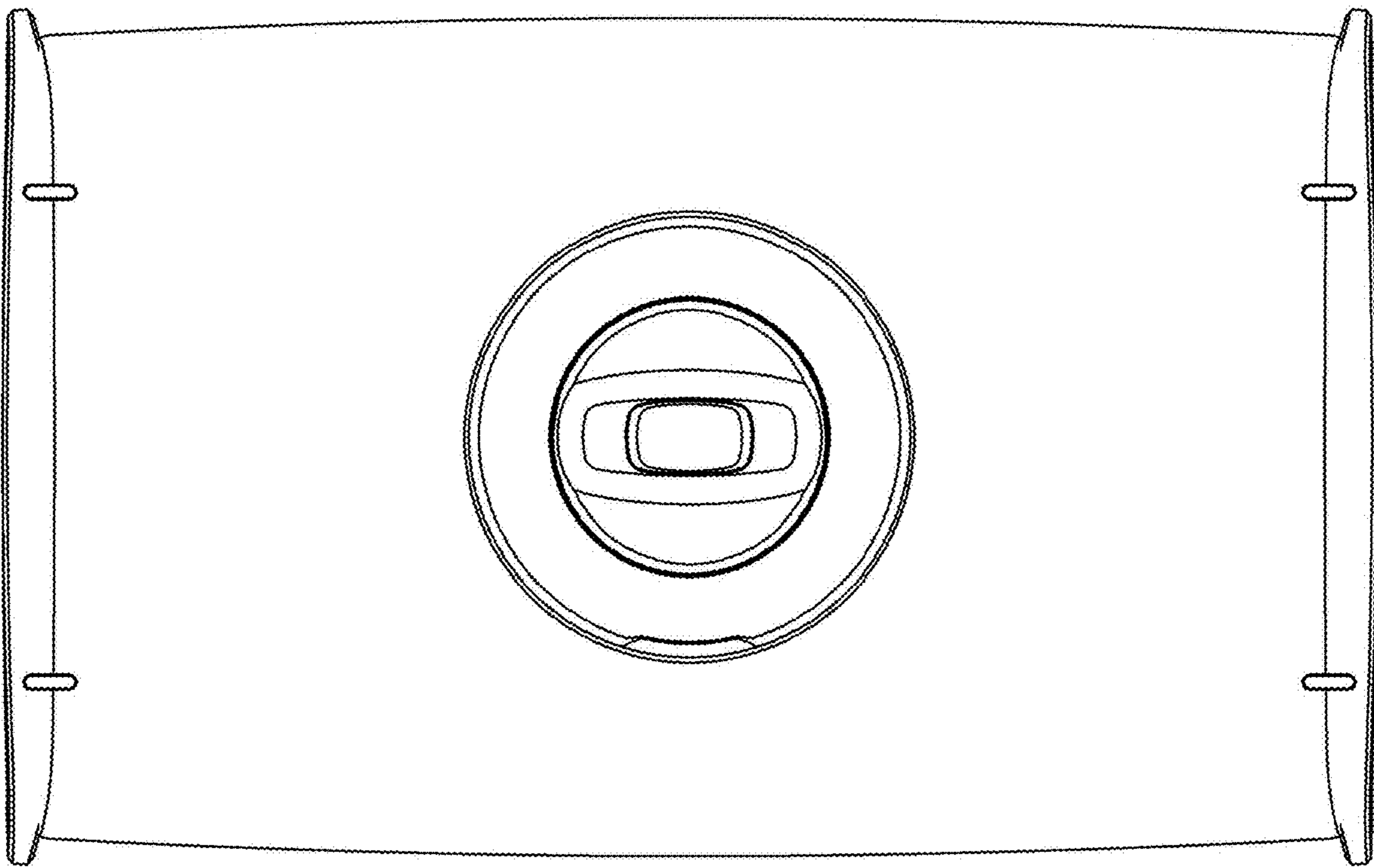
1.4



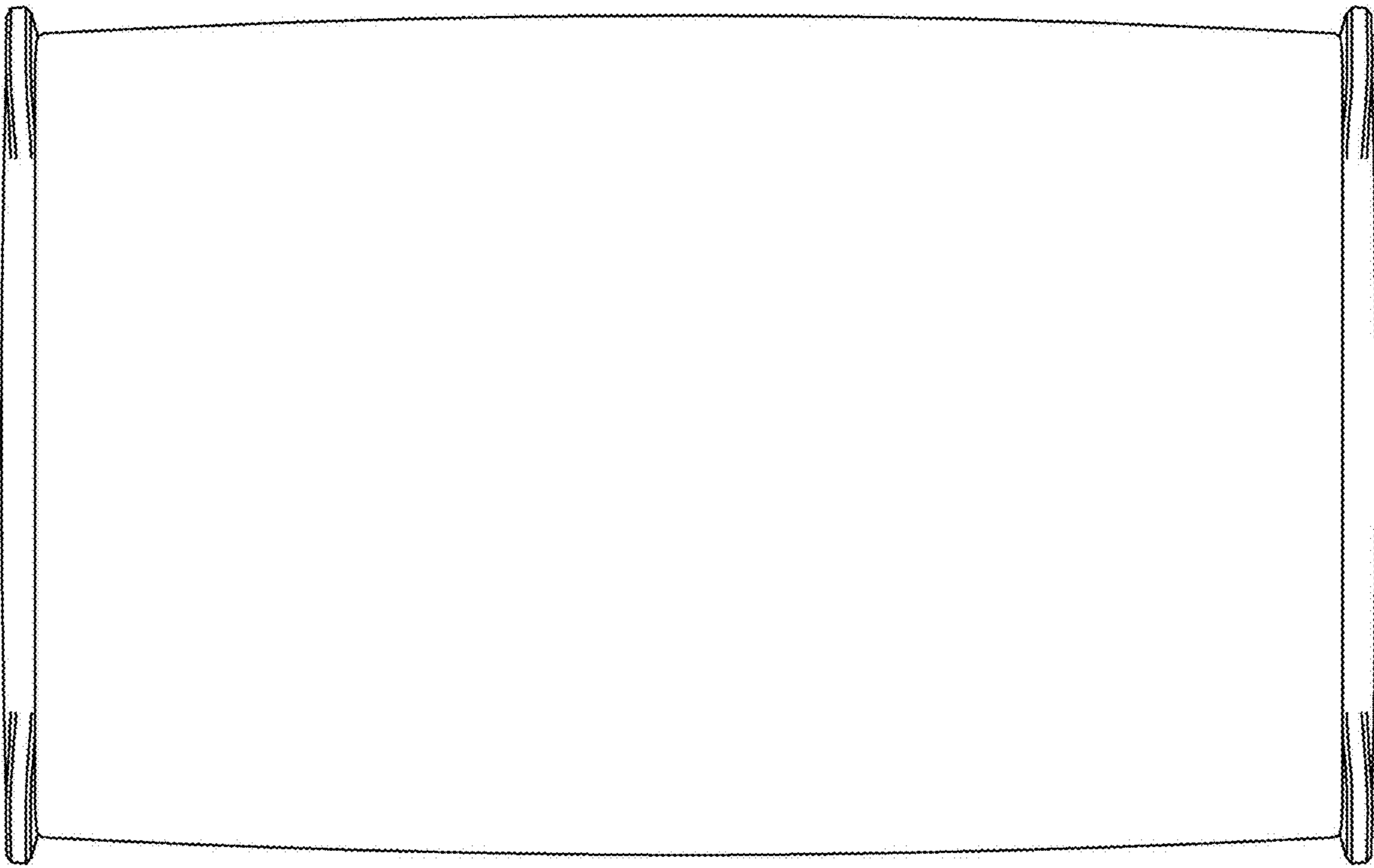
1.5



1.6



1.7



1.8

