



US00D933662S

(12) **United States Design Patent**
Minnis et al.

(10) **Patent No.:** **US D933,662 S**
(45) **Date of Patent:** **** Oct. 19, 2021**

(54) **PEDESTAL SCANNER**

(71) Applicant: **Amazon Technologies, Inc.**, Seattle, WA (US)

(72) Inventors: **Sydney Tye Minnis**, Seattle, WA (US); **Sara Elizabeth Stille**, Seattle, WA (US); **Dylan Thomas Cox**, Seattle, WA (US); **Daniel Y. Chiang**, Seattle, WA (US)

(73) Assignee: **Amazon Technologies, Inc.**, Seattle, WA (US)

(**) Term: **15 Years**

(21) Appl. No.: **29/719,312**

(22) Filed: **Jan. 2, 2020**

(51) **LOC (13) Cl.** **14-02**

(52) **U.S. Cl.**
USPC **D14/420**; D14/421; D14/453

(58) **Field of Classification Search**
USPC D14/421-425, 420; D18/55, 49, 46, 40, D18/36-39, 41, 44, 45, 47, 48, 50-54, D18/56; 235/462, 455, 470, 462.43, 482, 235/483, 462.21, 472.01, 435, 439, 440, 235/446, 454, 461, 462.32, 462.35, 235/462.41, 462.42, 463; 358/474, 486, 358/488, 496, 497, 498, 452, 449, 451, 358/453, 1.13; 318/685, 696; 355/81, 355/75; 399/405, 367, 379, 380; 382/217; 715/209, 222, 226, 274; 400/613, 613.1-613.4, 690.1-690.4, 400/691-694; D26/1-3, 24, 56, 72, D26/74-86, 88-91, 25; D13/180, 182; 362/150, 217.01-217.09, 217.1, 217.12, 362/217.13, 260, 364, 365, 366, 404, 555, 362/576, 800, 14, 148, 296.01
CPC .. D07G 1/0036; D07G 1/0045; D07G 1/0063; D07G 1/0072; D07G 1/009; G08B 13/1427; G08B 13/1472; G08B 13/1481; G08B 13/194; G08B 13/246; G08B

13/2462; G08B 13/2465; A47F 9/04; A47F 9/046; A47F 9/047; A47F 9/048; A47F 10/02; A47F 2010/005; A47F 2010/025; G06K 7/10693; G06K 7/10712; G06K 7/10722; G06K 7/10792; G06K 7/10801; G06K 7/10811; G06K 7/10831; G06K 7/10851; G06K 7/10861; G06K 7/10871; G06K 7/1096; G06K 7/1097; G06K 7/1098; G06K 7/12; G06K 7/14; G06K 7/1408; G06K 7/1413; G06K 7/1417; G06K 7/1421; G06K 7/1426; G06K 7/143; G06K 7/1434;
(Continued)

(56) **References Cited**

U.S. PATENT DOCUMENTS

D289,291 S * 4/1987 Kapper D14/389
D299,028 S * 12/1988 Hermann D10/31
(Continued)

Primary Examiner — Susan Moon Lee
(74) *Attorney, Agent, or Firm* — Lee & Hayes, P.C.

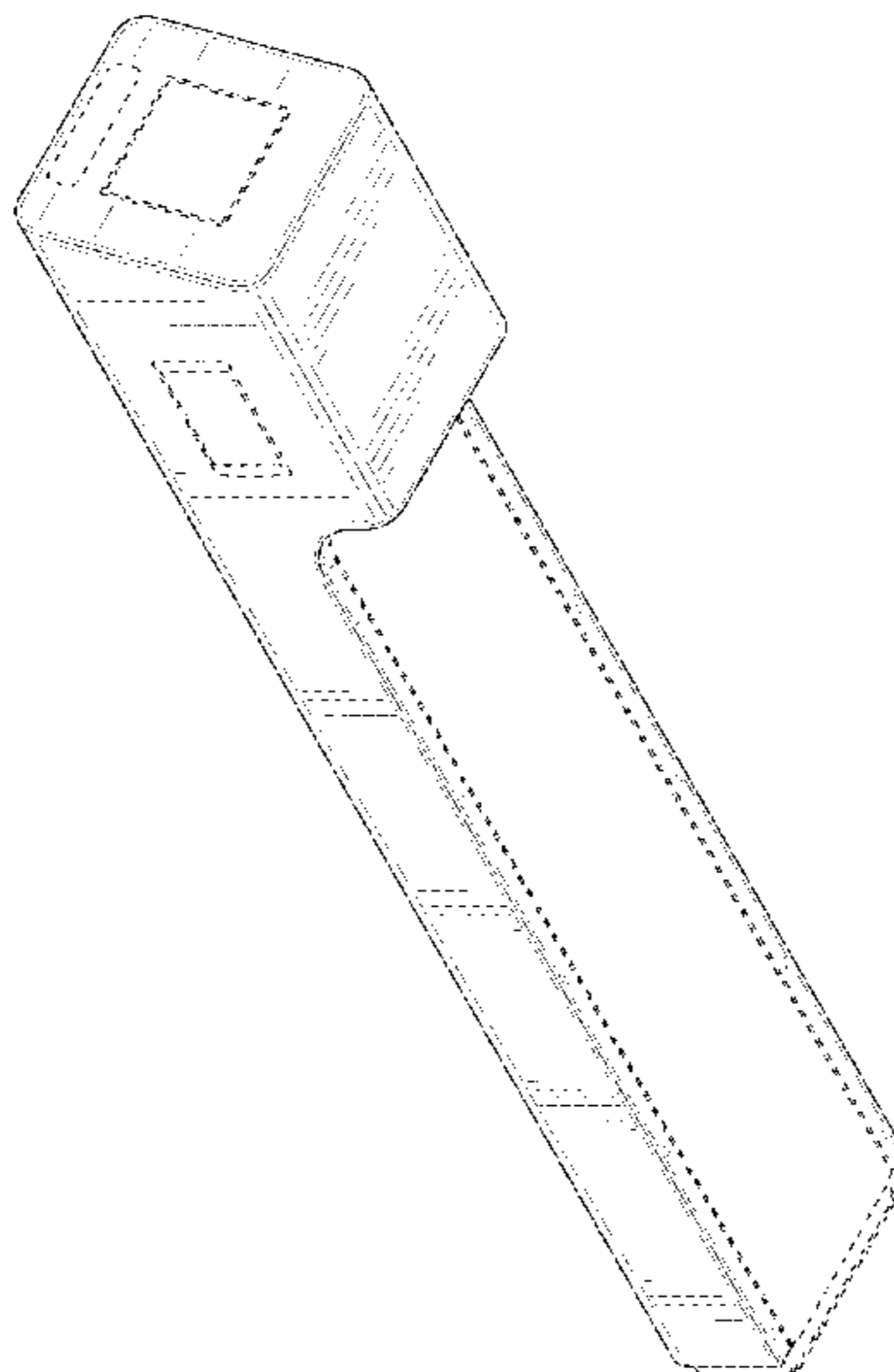
(57) **CLAIM**

The ornamental design for a pedestal scanner, as shown and described.

DESCRIPTION

FIG. 1 is a top, front, left-side perspective view of a pedestal scanner;
FIG. 2 is a bottom, front, right-side perspective view thereof;
FIG. 3 is a front view thereof;
FIG. 4 is a back view thereof;
FIG. 5 is a left-side view thereof;
FIG. 6 is a right-side view thereof;
FIG. 7 is a top view thereof; and,
FIG. 8 is a bottom view thereof.
The dashed broken lines depict portions of the pedestal scanner that form no part of the claimed design.

1 Claim, 8 Drawing Sheets



(58) **Field of Classification Search**

CPC G06K 7/1439; G06K 7/1443; G06K 7/1447;
 G06K 7/1452; G06K 7/1456; G06K
 7/146; G06K 7/1465; G06K 7/1469;
 G06K 7/1473; G06K 7/1478; G06K
 7/1482; G06K 7/1486; G06K
 2007/10485; G06K 7/10544-10762;
 G06K 7/10821-10871; G06K 2007/14;
 G06K 7/1404-1495; G06K 2207/00;
 G06K 2207/1011-1018; G01G 19/4144;
 G01G 21/22; G01G 21/28; G01G 23/32;
 G01G 23/34; G01G 23/35; G01G 23/375;
 G01G 23/38; G01G 23/44; G07G 1/0063;
 G07G 1/0072; G07G 3/006; G02B 5/09;
 G02B 6/00; G06T 2211/00; H04N
 1/0313-032; H04N 1/02815-02895;
 H04N 1/0249; H04N 1/02481; H04N
 1/00; H04N 1/12; H04N 1/00013; H04N
 1/00015; H04N 1/00018; H04N 1/00026;
 H04N 1/00557; H04N 1/00564; H04N
 1/00567; H04N 1/0057; H04N 1/00572;
 H04N 1/00586; H04N 1/00588; H04N
 1/00591; H04N 1/00594; H04N 1/00596;
 H04N 1/00604; H04N 1/00519; H04N
 1/00559; H04N 1/00551; H04N 1/00278;
 H04N 1/1013; H04N 1/10; H04N
 5/2251-2256; H04N 2201/02456; H04N
 2201/02458; H04N 2201/02462; H04N
 2201/03468; H04N 2201/02485; H04N
 2201/0249; H04N 2201/02481; H04N
 2201/0456; H04N 2201/0446; H04N
 2201/00; H04N 2201/0094; H01L
 27/14618-14643; H01L 27/14649; H01L
 27/14652; H01L 27/14658-1467; H01L
 31/0232-02327; H01L 31/1055; H01L
 31/14; G03G 15/0142; G03G 15/605;
 G03G 15/602; F21S 2/00; F21S 4/00;
 F21S 4/003; F21S 4/005; F21S 4/006;
 F21S 4/007; F21S 4/008; F21S 6/00;
 F21S 8/00; F21S 8/024; F21S 8/026;
 F21S 8/031; F21S 8/033; F21S

8/035-037; F21S 8/04; F21S 8/043; F21S
 8/063

See application file for complete search history.

(56)

References Cited

U.S. PATENT DOCUMENTS

D311,393	S	*	10/1990	Weaver	D14/420
D315,337	S	*	3/1991	Weaver	D14/420
D354,280	S	*	1/1995	Fenton	D14/137
D355,173	S	*	2/1995	Fenton	D14/137
5,808,289	A	*	9/1998	Becker	G06K 7/10891 235/462.01
5,844,228	A	*	12/1998	Nukui	G06K 7/1092 235/472.01
D411,202	S	*	6/1999	Flanagan, III	D14/459
D416,032	S	*	11/1999	Bakshi	D16/203
D426,240	S	*	6/2000	Senda	D14/420
D427,587	S	*	7/2000	Jacobsen	D14/240
D444,787	S	*	7/2001	Tsushima	D14/420
D537,807	S	*	3/2007	Griffin	D14/155
D544,462	S	*	6/2007	Patel	D14/155
D565,577	S	*	4/2008	Hanks	D14/426
D583,822	S	*	12/2008	Matsumoto	D14/426
D585,066	S	*	1/2009	Morris	D14/427
D621,834	S	*	8/2010	Kinno	D14/383
D693,348	S	*	11/2013	Min	D14/426
D697,917	S	*	1/2014	Sato	D14/420
D717,799	S	*	11/2014	Lee	D14/420
D727,901	S	*	4/2015	Nishimura	D14/383
D736,755	S	*	8/2015	Kwak	D14/248
D750,513	S	*	3/2016	King	D10/70
D787,506	S	*	5/2017	Takiguchi	D14/341
D787,508	S	*	5/2017	Takiguchi	D14/341
D807,213	S	*	1/2018	Williams	C12Q 1/10 D10/81
D808,391	S	*	1/2018	Schooneveldt	D14/426
D808,833	S	*	1/2018	Abbott	D10/81
D817,959	S	*	5/2018	Varotto	D14/384
D870,731	S	*	12/2019	Kuo	D14/420
D908,704	S	*	1/2021	Long	D14/420
D916,092	S	*	4/2021	Szabo	D14/426
2003/0111530	A1	*	6/2003	Iki	G07B 15/00 235/382
2007/0286646	A1	*	12/2007	Ichikawa	G03G 15/0855 399/262

* cited by examiner

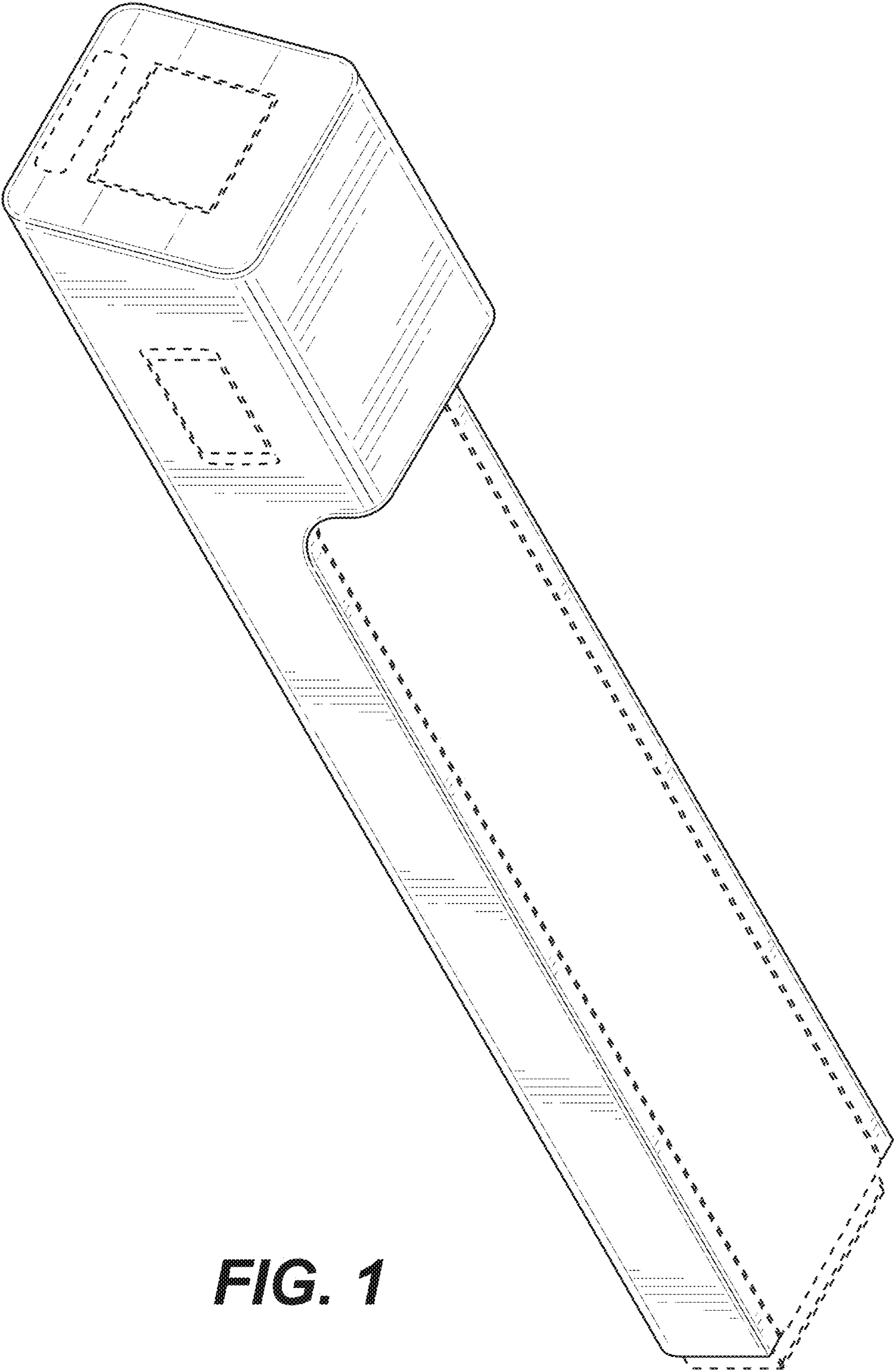


FIG. 1

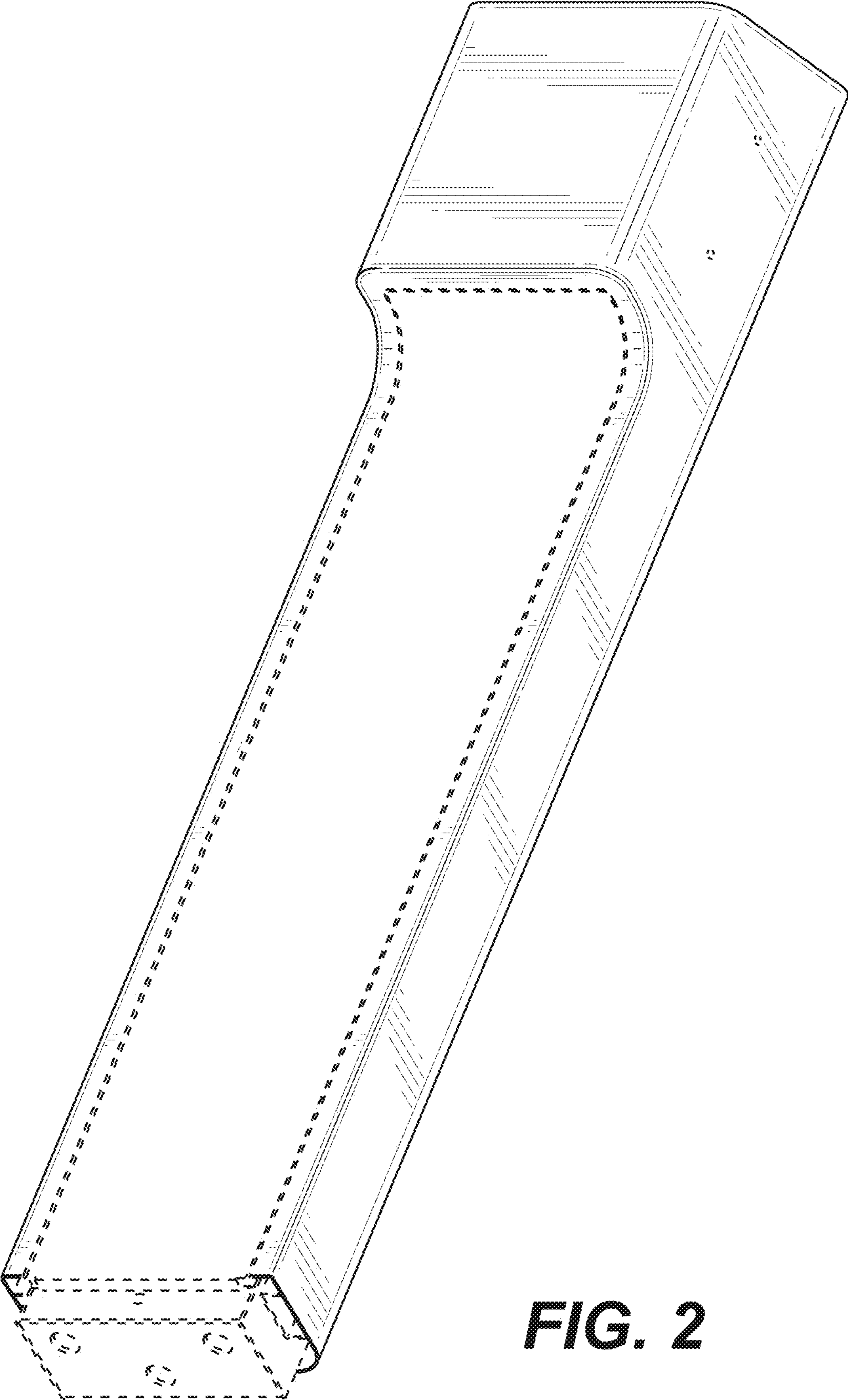


FIG. 2

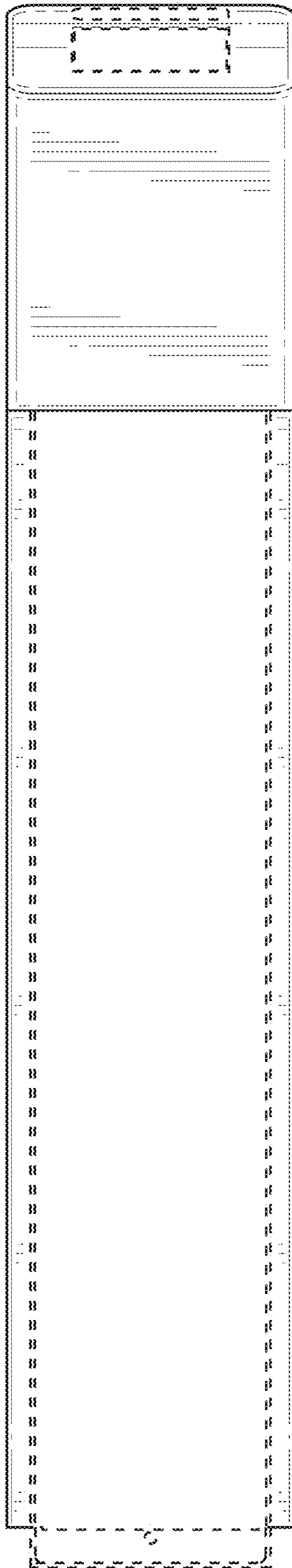


FIG. 3

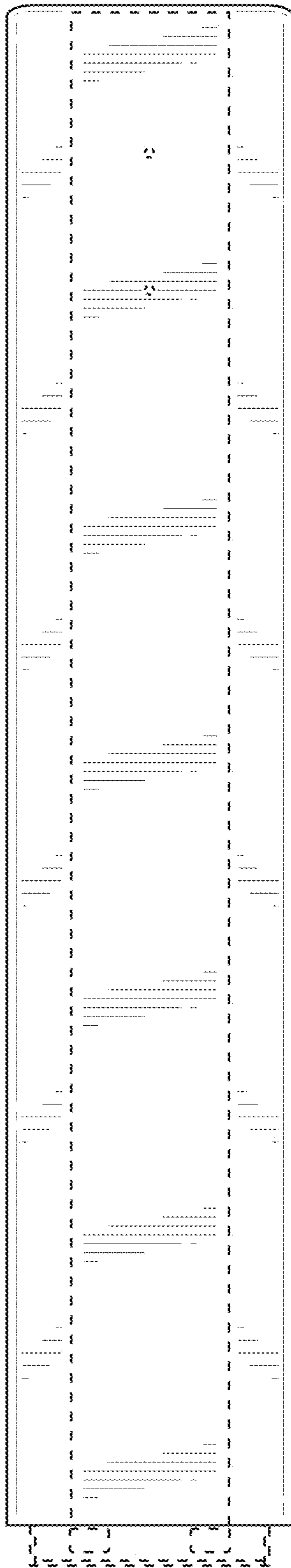


FIG. 4

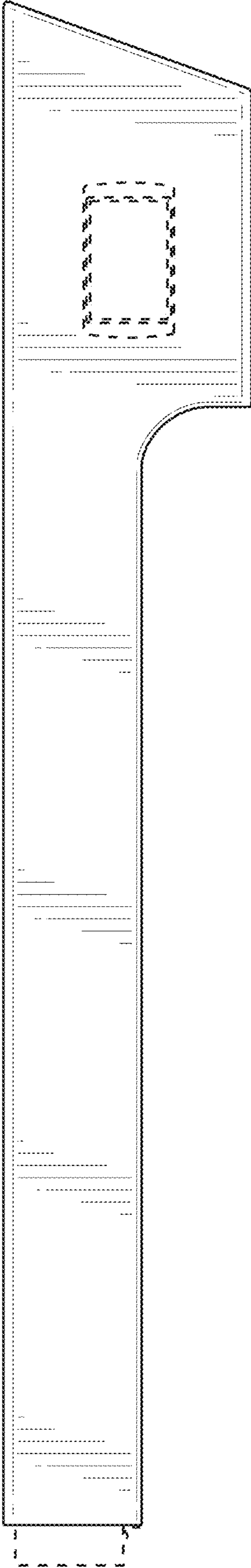


FIG. 5

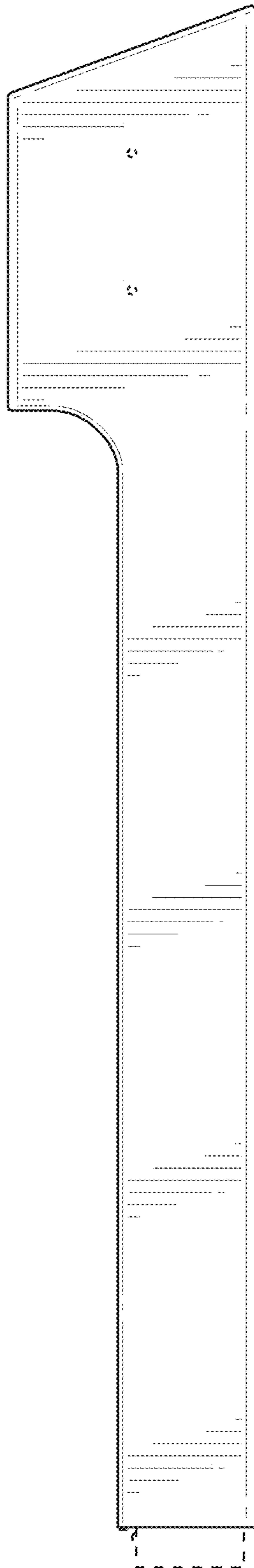


FIG. 6

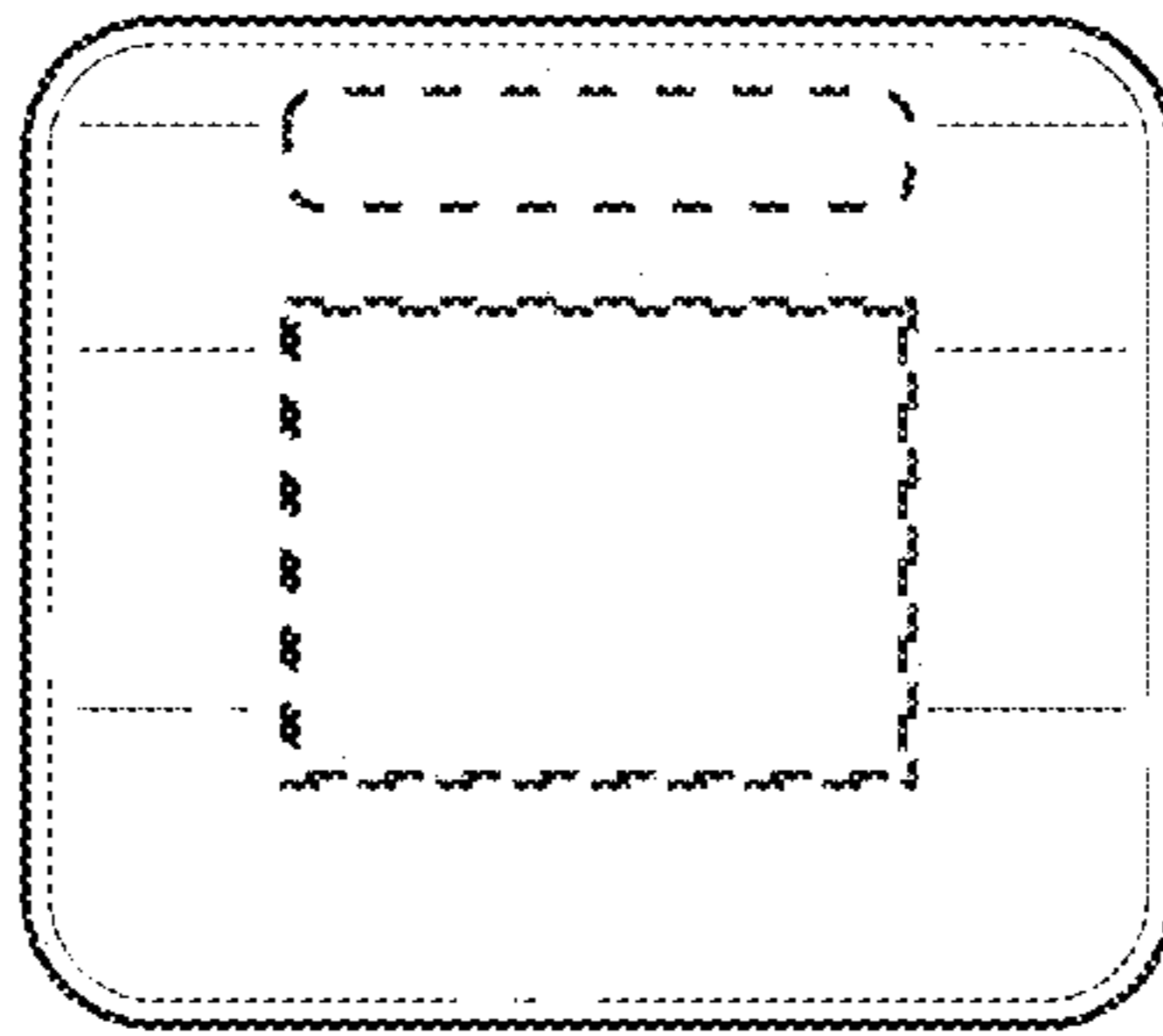


FIG. 7

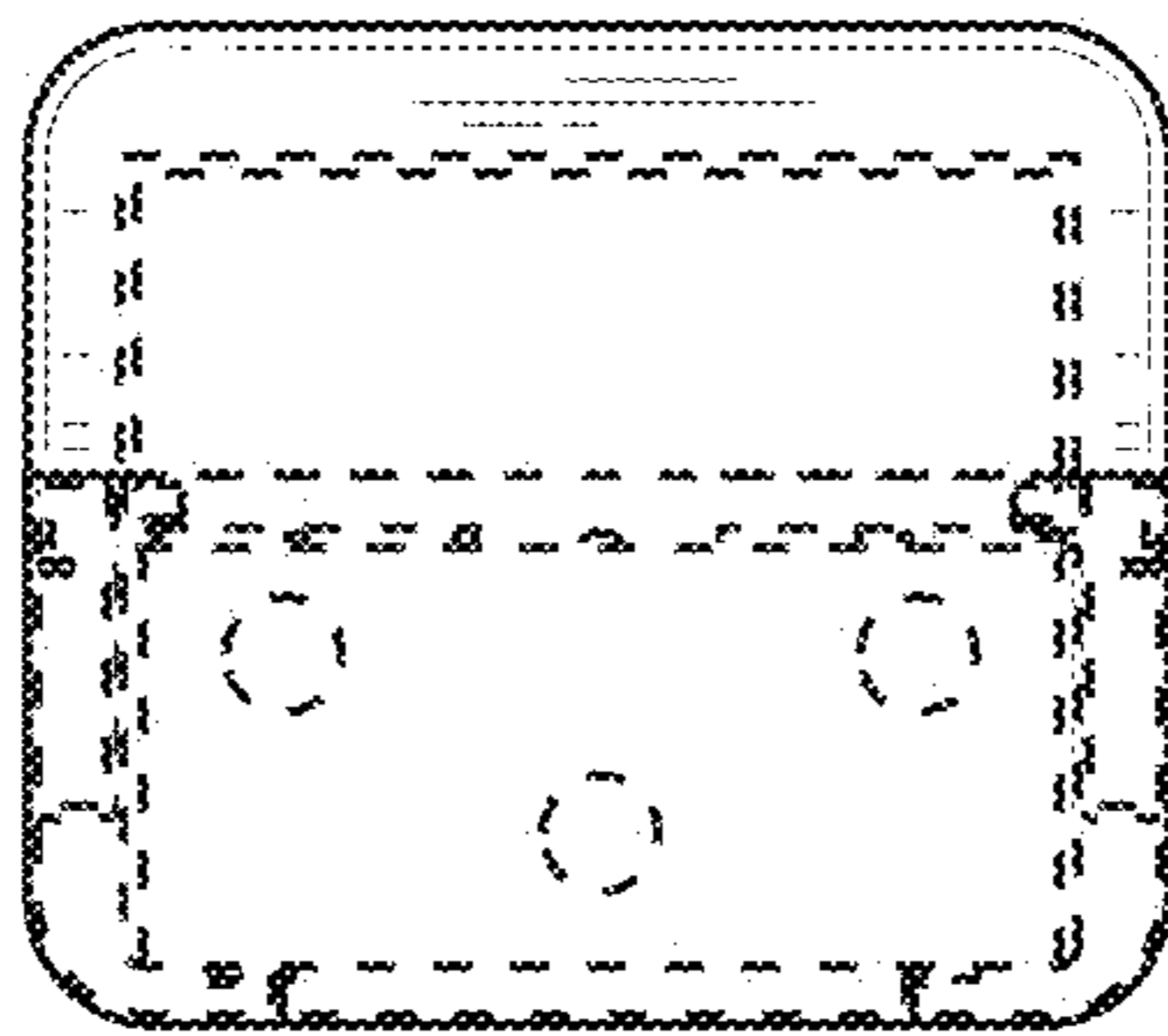


FIG. 8