



US00D933661S

(12) **United States Design Patent**
Hashimoto et al.

(10) **Patent No.:** **US D933,661 S**

(45) **Date of Patent:** **** Oct. 19, 2021**

(54) **CARTRIDGE FOR AN ELECTRONIC PEN**

(71) Applicant: **Wacom Co., Ltd.**, Kazo (JP)

(72) Inventors: **Yoshiyuki Hashimoto**, Wako (JP);
Takenori Kaneda, Shimotsuke (JP);
Shinya Aoki, Kuki (JP)

(73) Assignee: **Wacom Co., Ltd.**, Kazo (JP)

(**) Term: **15 Years**

(21) Appl. No.: **29/731,652**

(22) Filed: **Apr. 16, 2020**

(30) **Foreign Application Priority Data**

Oct. 17, 2019 (JP) 2019-023218

(51) **LOC (13) Cl.** **14-02**

(52) **U.S. Cl.**
USPC **D14/411**

(58) **Field of Classification Search**

USPC D14/372, 496, 432, 371, 125, 126, 129,
D14/299, 411; D16/300-342; 351/158,
351/153, 144; 345/7-9, 905; 455/344;
348/115, 53, 121, 739

CPC G02B 27/017; G06F 3/016; G06F 3/033;
G06F 3/0317; G06F 3/03545; G06F
3/041; G06K 9/222

See application file for complete search history.

(56) **References Cited**

U.S. PATENT DOCUMENTS

D399,255 S * 10/1998 Melnick D19/173
D744,486 S * 12/2015 Arai D14/411
D783,022 S * 4/2017 Sirota D14/411
10,061,406 B2 * 8/2018 Arai G06F 3/03545
D845,301 S * 4/2019 Chu D14/411

D851,087 S * 6/2019 Nishizawa D14/411
D861,689 S * 10/2019 Nishizawa D14/411
10,427,449 B2 * 10/2019 Kaneda B43K 27/006
10,503,281 B2 * 12/2019 Fujitsuka G01L 1/148
10,579,164 B2 * 3/2020 Tanaka G06F 3/0416
10,589,562 B2 * 3/2020 Kaneda B43K 27/003
D897,341 S * 9/2020 Kamiyama D14/411
10,761,620 B2 * 9/2020 Kaneda G06F 3/046
D903,681 S * 12/2020 Tao D14/411
D912,146 S * 3/2021 Zhang D19/173

FOREIGN PATENT DOCUMENTS

JP D1383822 S 3/2010

* cited by examiner

Primary Examiner — Austin Murphy

(74) *Attorney, Agent, or Firm* — Christensen O'Connor
Johnson Kindness PLLC

(57) **CLAIM**

The ornamental design for a cartridge for an electronic pen,
as shown and described.

DESCRIPTION

FIG. 1 is a top-right-front perspective view of a represen-
tative embodiment of a cartridge for an electronic pen
according to our new design;

FIG. 2 is a top plan view thereof;

FIG. 3 is a bottom plan view thereof;

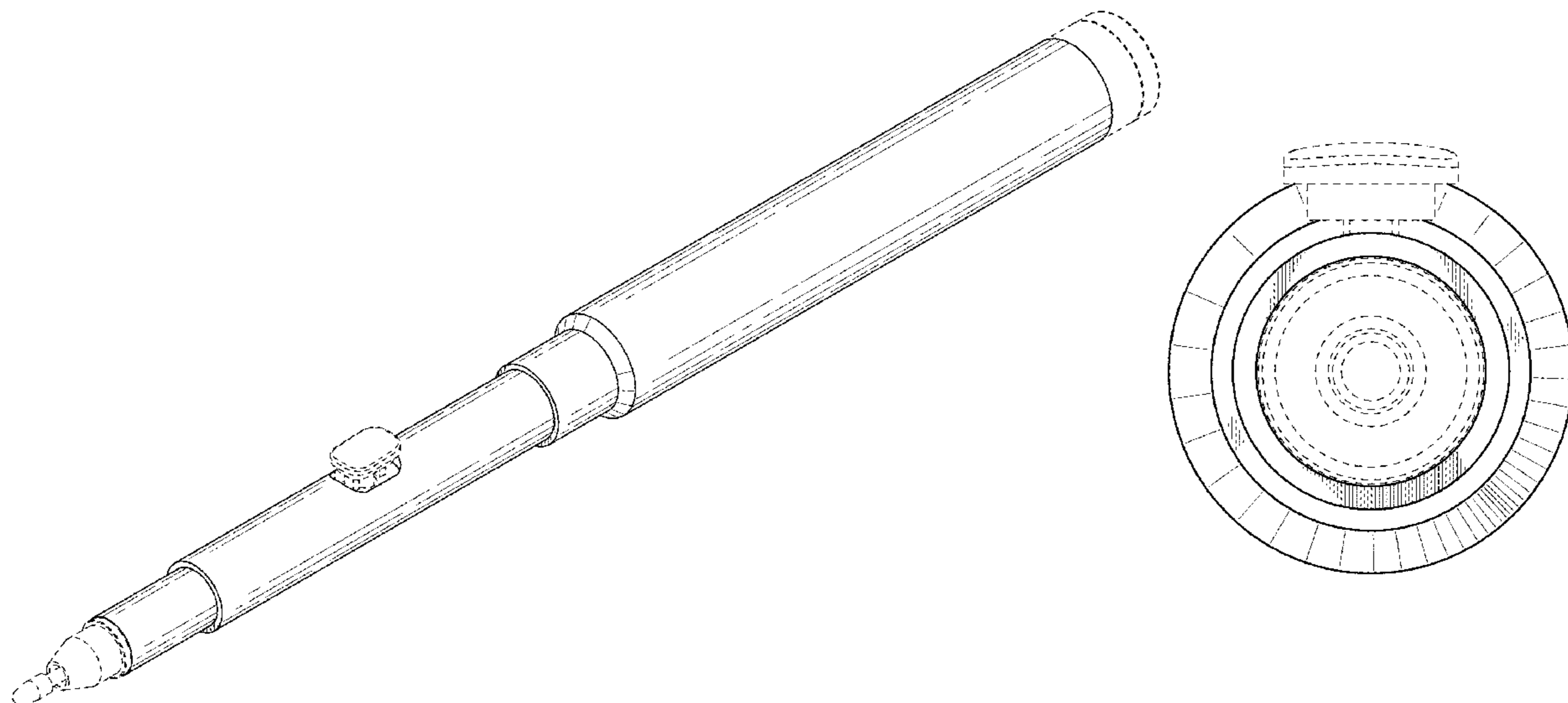
FIG. 4 is a right-side elevational view thereof, wherein the
left-side elevational view is a mirror image of the right-side
elevational view;

FIG. 5 is a front elevational view thereof; and,

FIG. 6 is a rear elevational view thereof.

The dashed broken lines in the drawings show portions of
the cartridge for an electronic pen that form no part of the
claimed design.

1 Claim, 3 Drawing Sheets



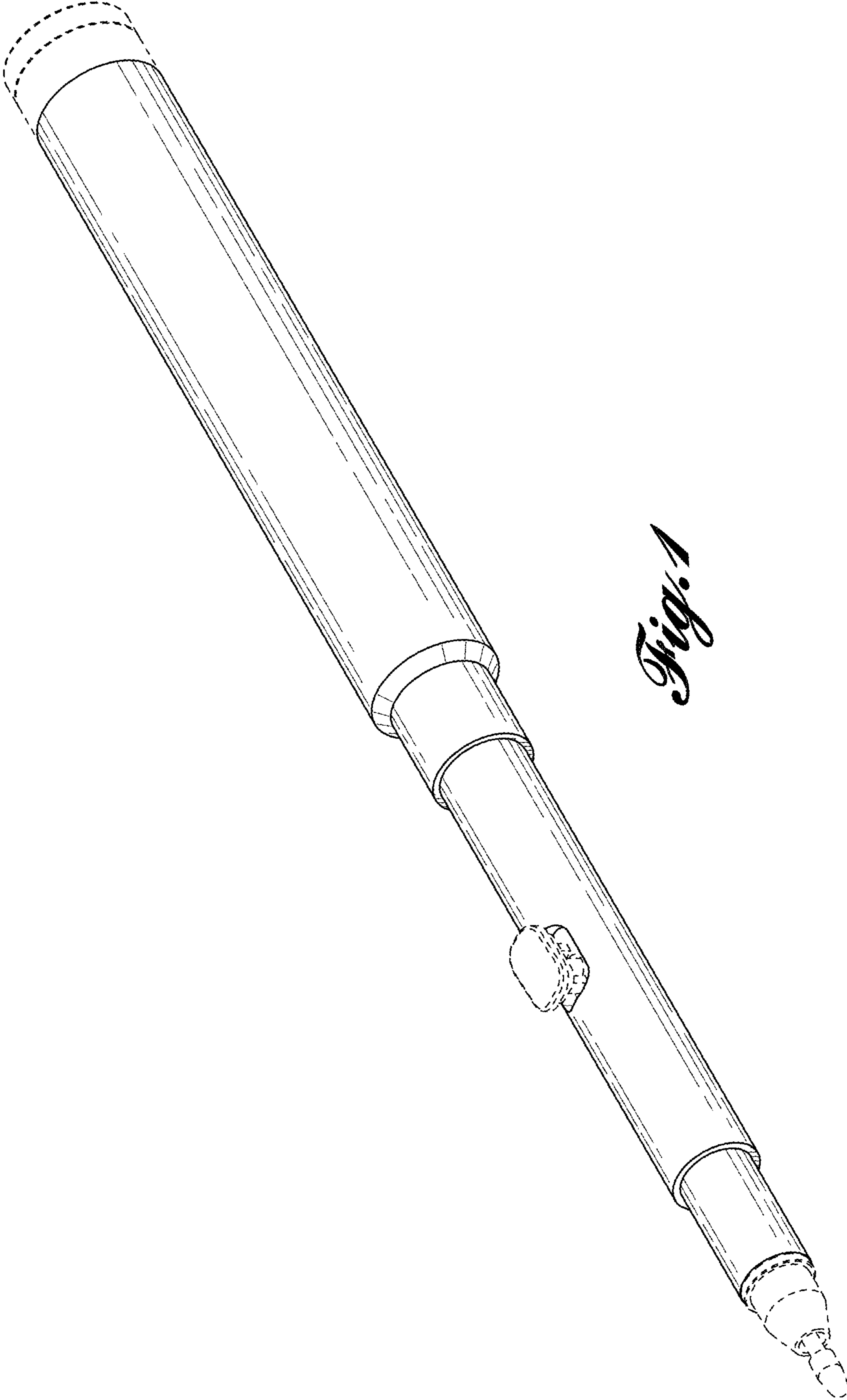


Fig. 1

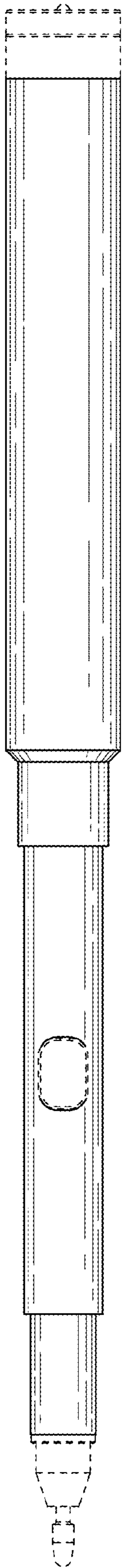


Fig. 2

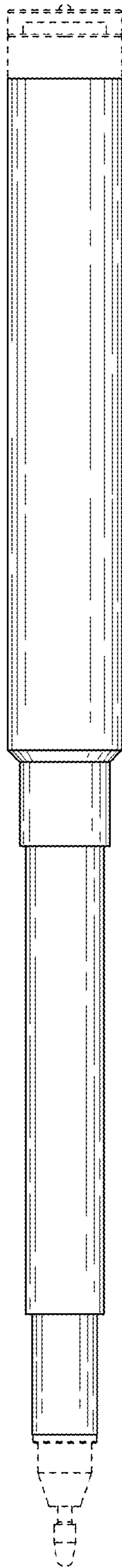


Fig. 3

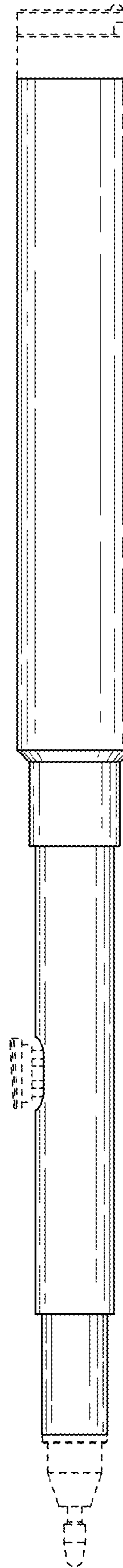


Fig. 4

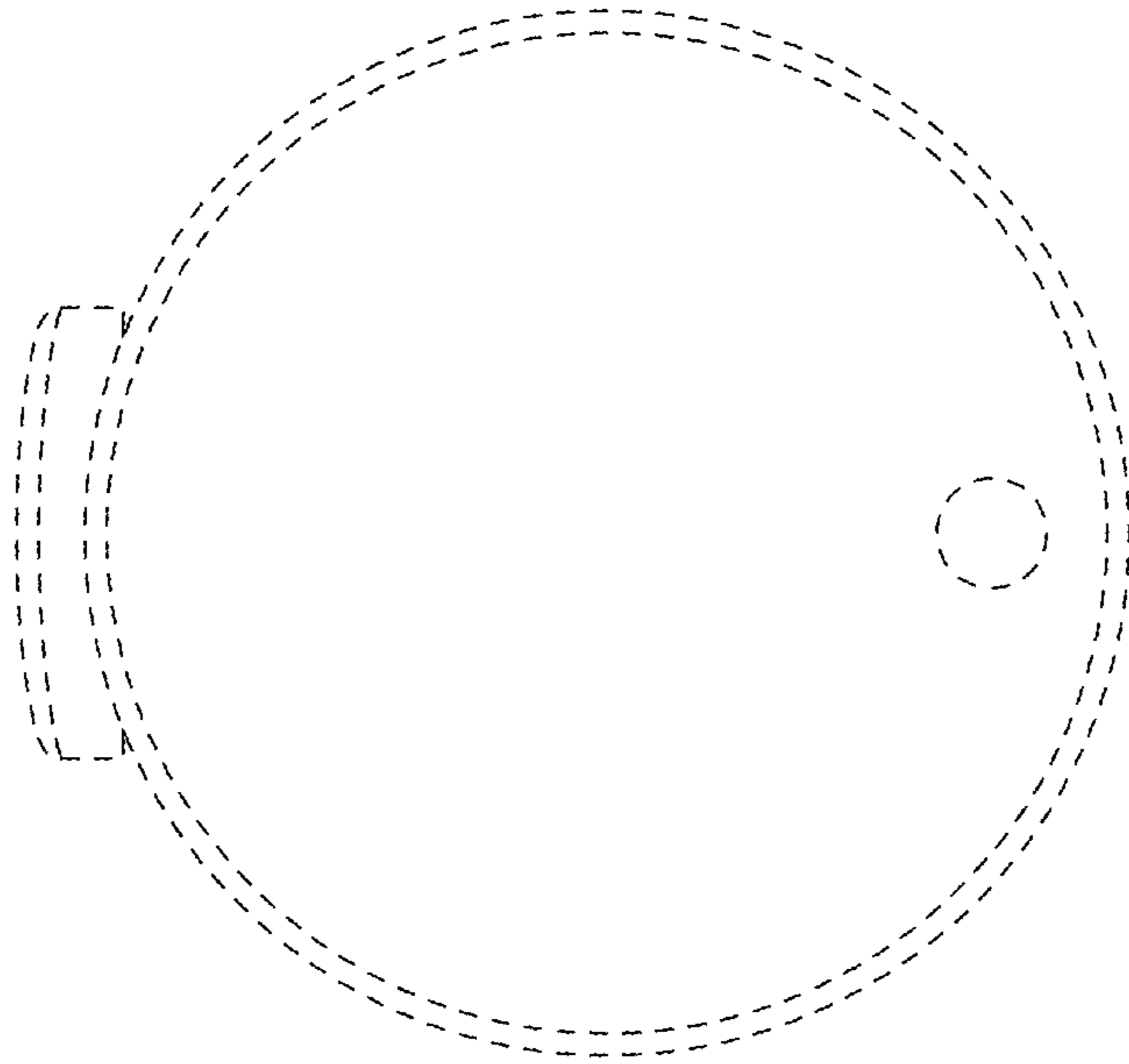


Fig. 6

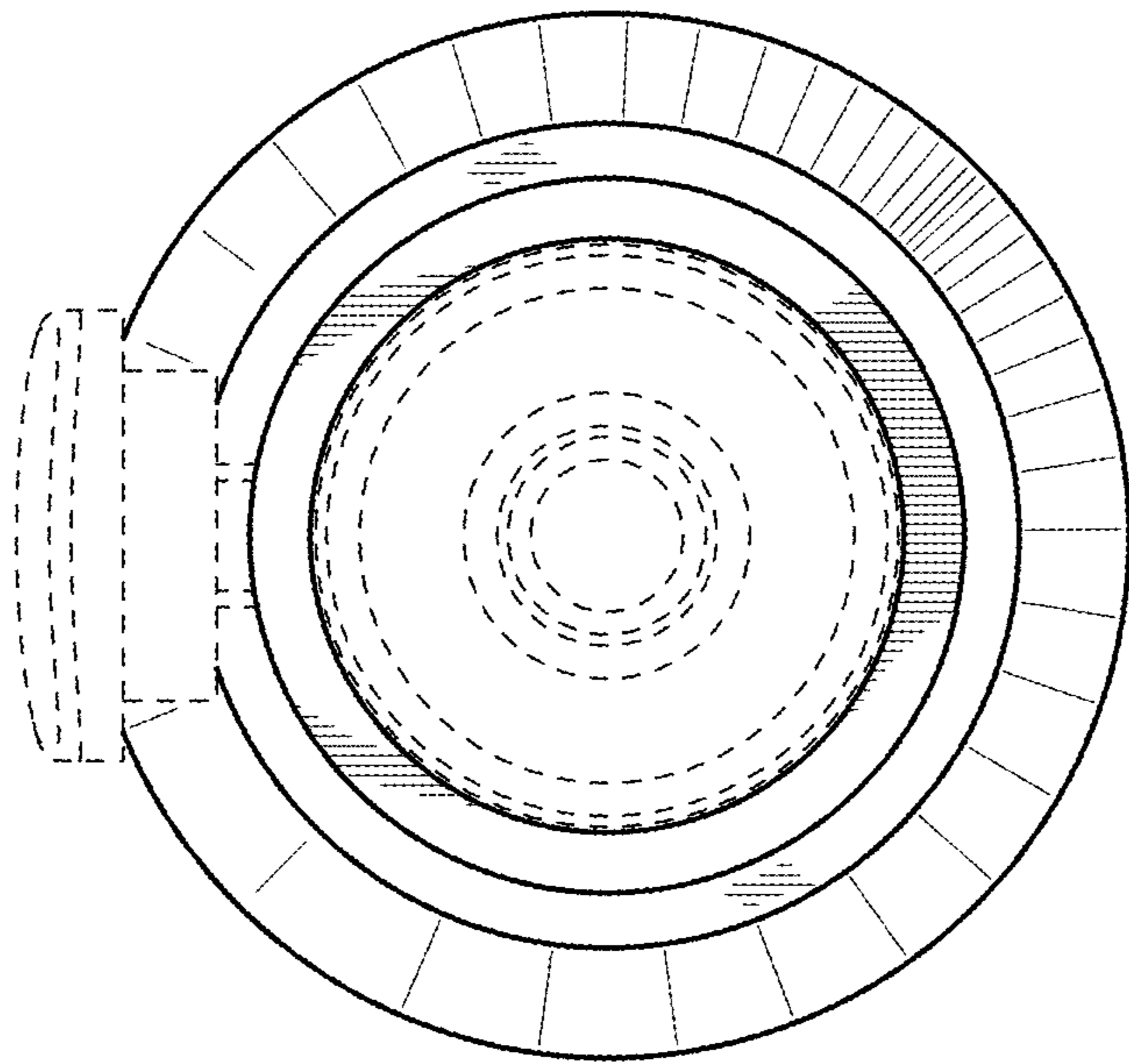


Fig. 5