



US00D933660S

(12) **United States Design Patent** (10) **Patent No.:** **US D933,660 S**  
**Hashimoto et al.** (45) **Date of Patent:** **\*\* Oct. 19, 2021**

- (54) **ELECTRONIC PEN**
- (71) Applicant: **Wacom Co., Ltd.**, Kazo (JP)
- (72) Inventors: **Yoshiyuki Hashimoto**, Wako (JP);  
**Takenori Kaneda**, Shimotsuke (JP);  
**Shinya Aoki**, Kuki (JP)
- (73) Assignee: **Wacom Co., Ltd.**, Kazo (JP)
- (\*\*) Term: **15 Years**
- (21) Appl. No.: **29/731,635**
- (22) Filed: **Apr. 16, 2020**
- (30) **Foreign Application Priority Data**  
Oct. 17, 2019 (JP) ..... 2019-023216
- (51) **LOC (13) Cl.** ..... **14-02**
- (52) **U.S. Cl.**  
USPC ..... **D14/411**
- (58) **Field of Classification Search**  
USPC ..... D14/372, 496, 432, 371, 125, 126, 129,  
D14/299, 411; D16/300-342; 351/158,  
351/153, 144; 345/7-9, 905; 455/344;  
348/115, 53, 121, 739  
CPC ..... G02B 27/017; G06F 3/016; G06F 3/033;  
G06F 3/0317; G06F 3/03545; G06F  
3/041; G06K 9/222  
See application file for complete search history.

- (56) **References Cited**  
U.S. PATENT DOCUMENTS  
D310,684 S \* 9/1990 Itoh ..... D19/195  
D770,456 S \* 11/2016 Akana ..... D14/433  
D786,253 S \* 5/2017 Akana ..... D14/411

- D796,511 S \* 9/2017 Akana ..... D14/411
- D796,512 S \* 9/2017 Akana ..... D14/411
- D826,231 S \* 8/2018 Akana ..... D14/411
- D860,205 S \* 9/2019 Akana ..... D14/411
- D886,822 S \* 6/2020 Mitchell ..... D14/411

\* cited by examiner

*Primary Examiner* — Austin Murphy

(74) *Attorney, Agent, or Firm* — Christensen O'Connor Johnson Kindness PLLC

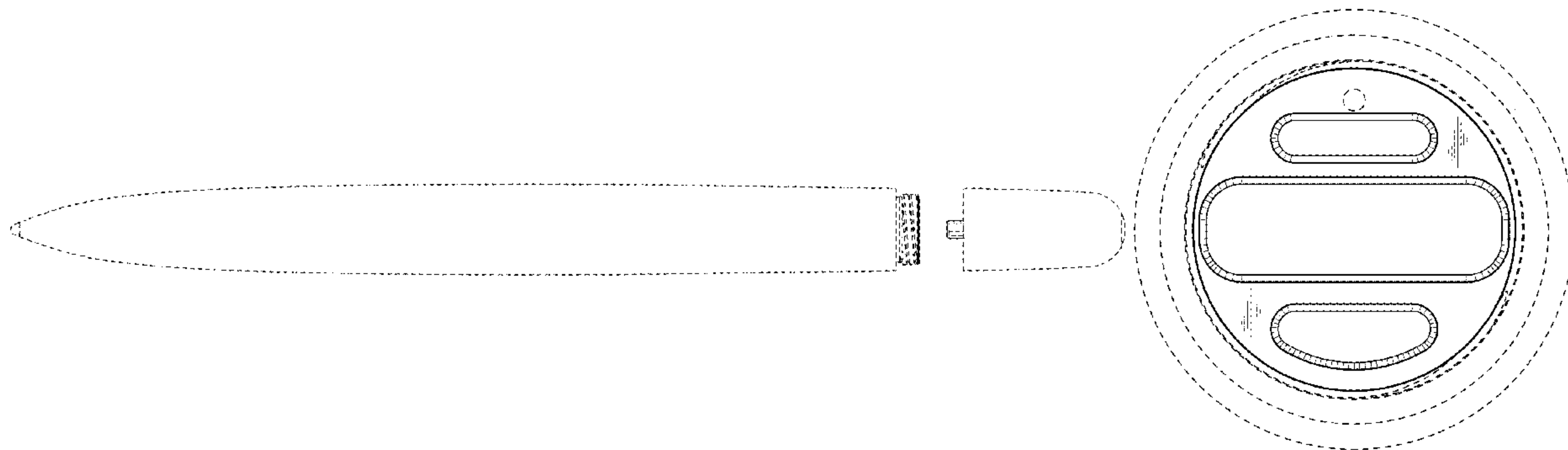
(57) **CLAIM**

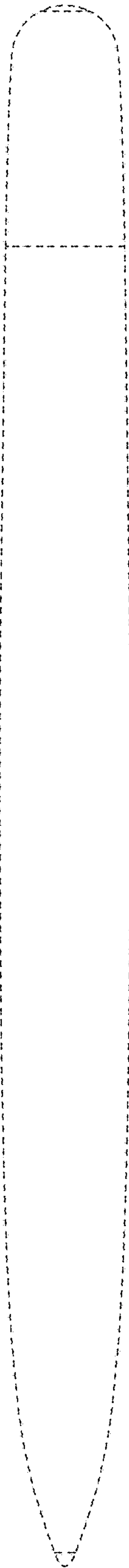
The ornamental design for an electric pen, as shown and described.

**DESCRIPTION**

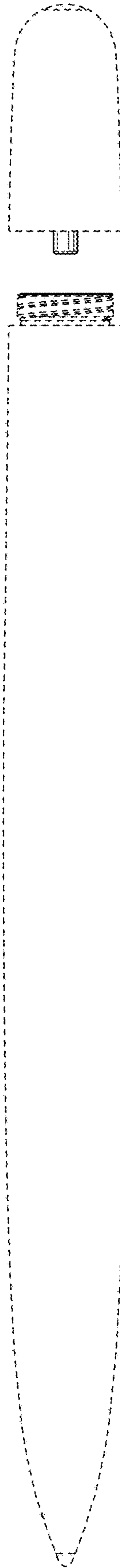
FIG. 1 is a right-side elevational view of an electronic pen according to our new design;  
 FIG. 2 is a right-side elevational view thereof with a first portion of the electronic pen separated from a second portion of the electronic pen;  
 FIG. 3 is a top-right-rear perspective view of the first portion of the electronic pen;  
 FIG. 4 is an enlarged partial top-right-rear perspective view thereof;  
 FIG. 5 is a bottom-left-rear perspective view thereof;  
 FIG. 6 is an enlarged partial bottom-left-rear perspective view thereof;  
 FIG. 7 is a right-side elevational view thereof;  
 FIG. 8 is a rear elevational view thereof;  
 FIG. 9 is a top-right-front perspective view of the second portion of the electronic pen;  
 FIG. 10 is a bottom-left-front perspective view thereof; and,  
 FIG. 11 is a front elevational view thereof.  
 The dashed broken lines in the drawings show portions of the electronic pen that form no part of the claimed design.

**1 Claim, 6 Drawing Sheets**

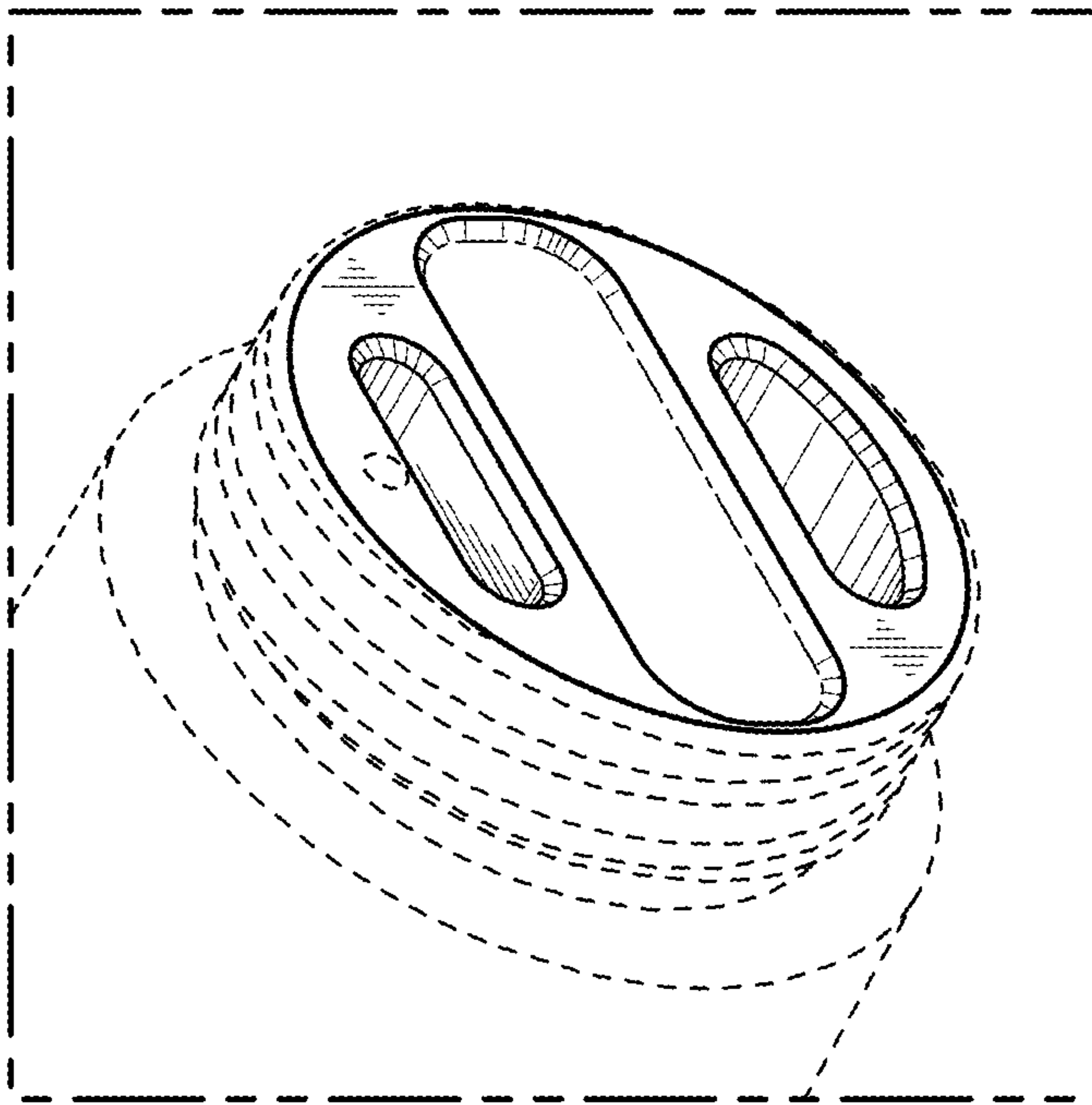




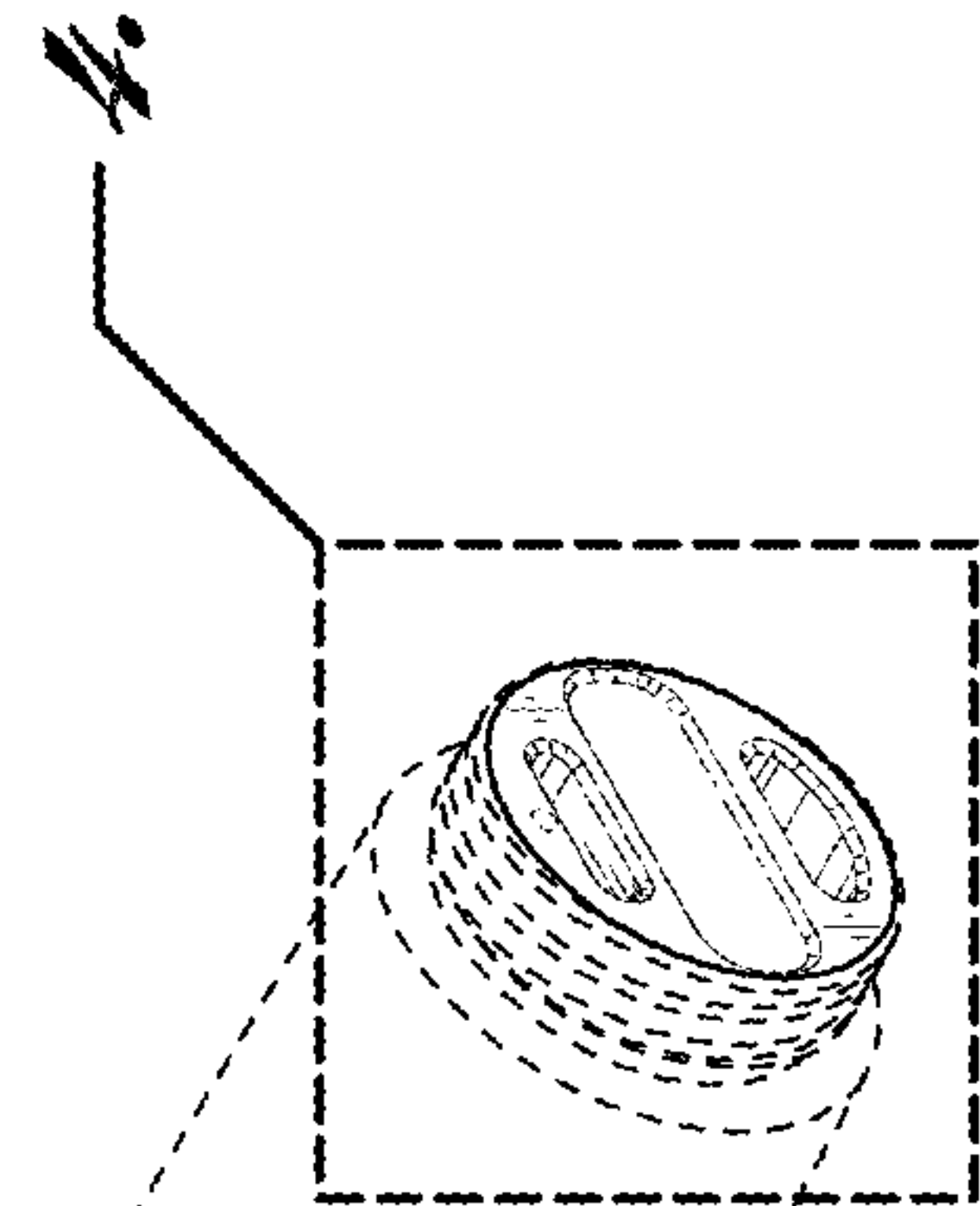
*Fig. 1*



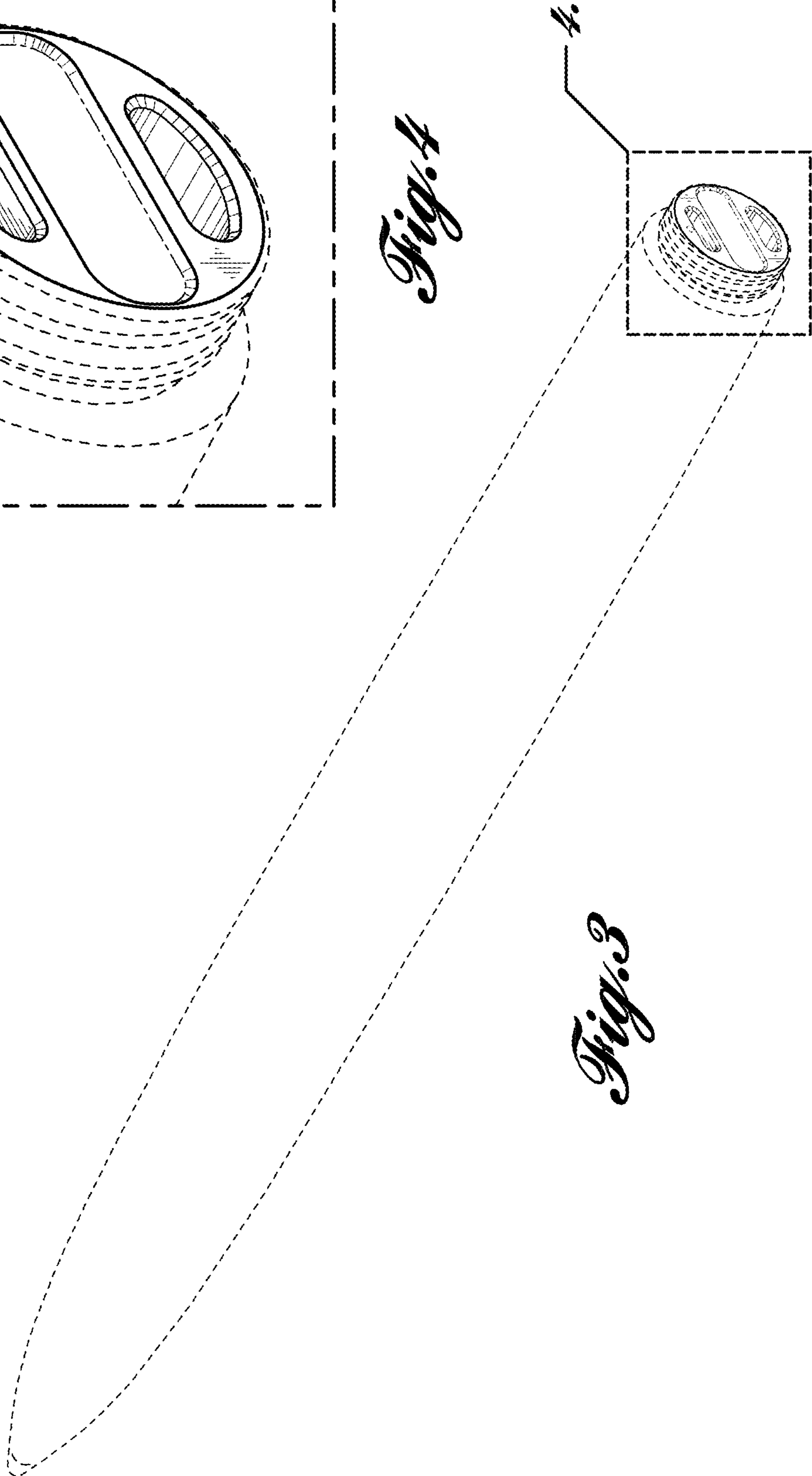
*Fig. 2*

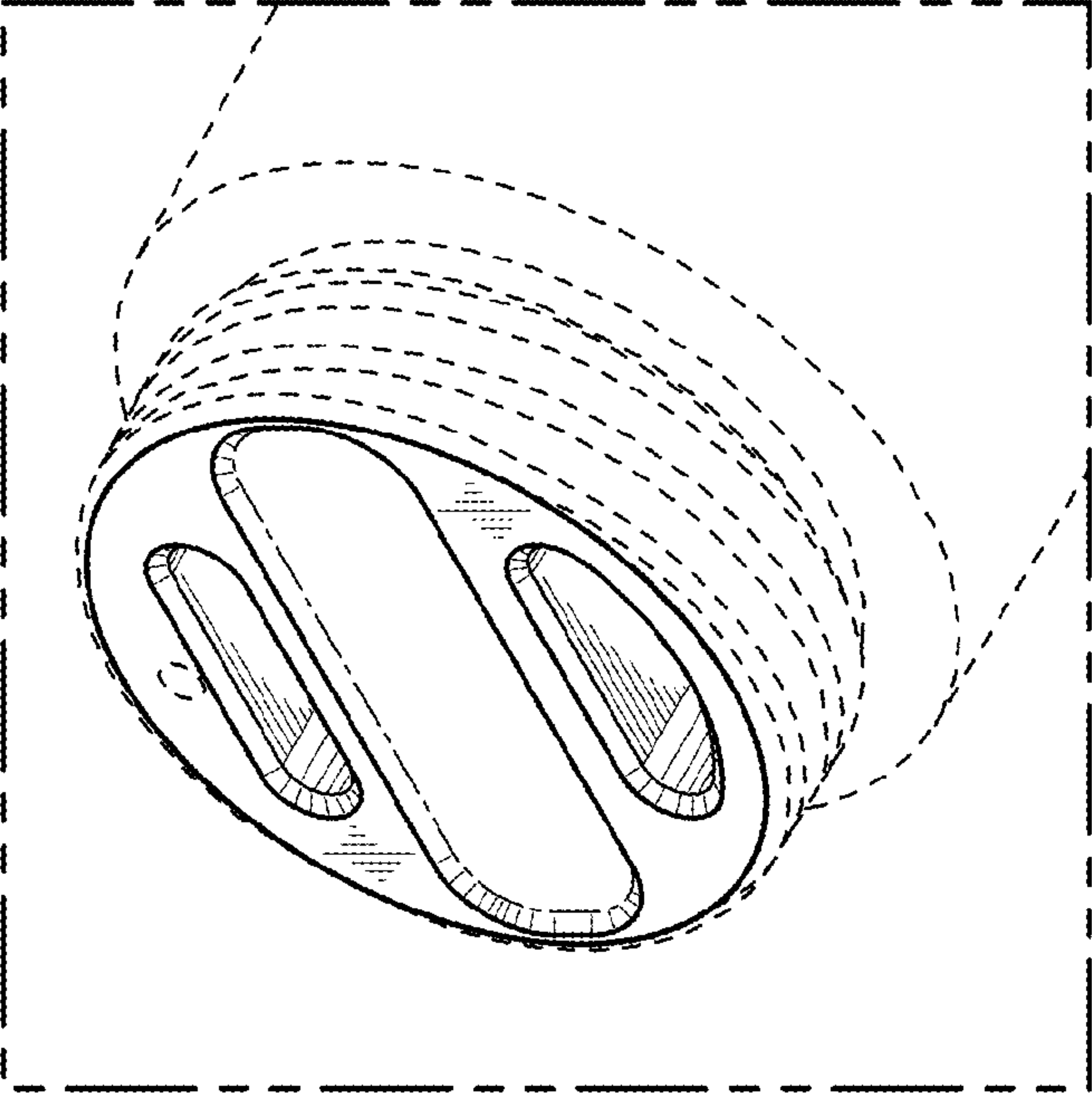


*Fig. 4*

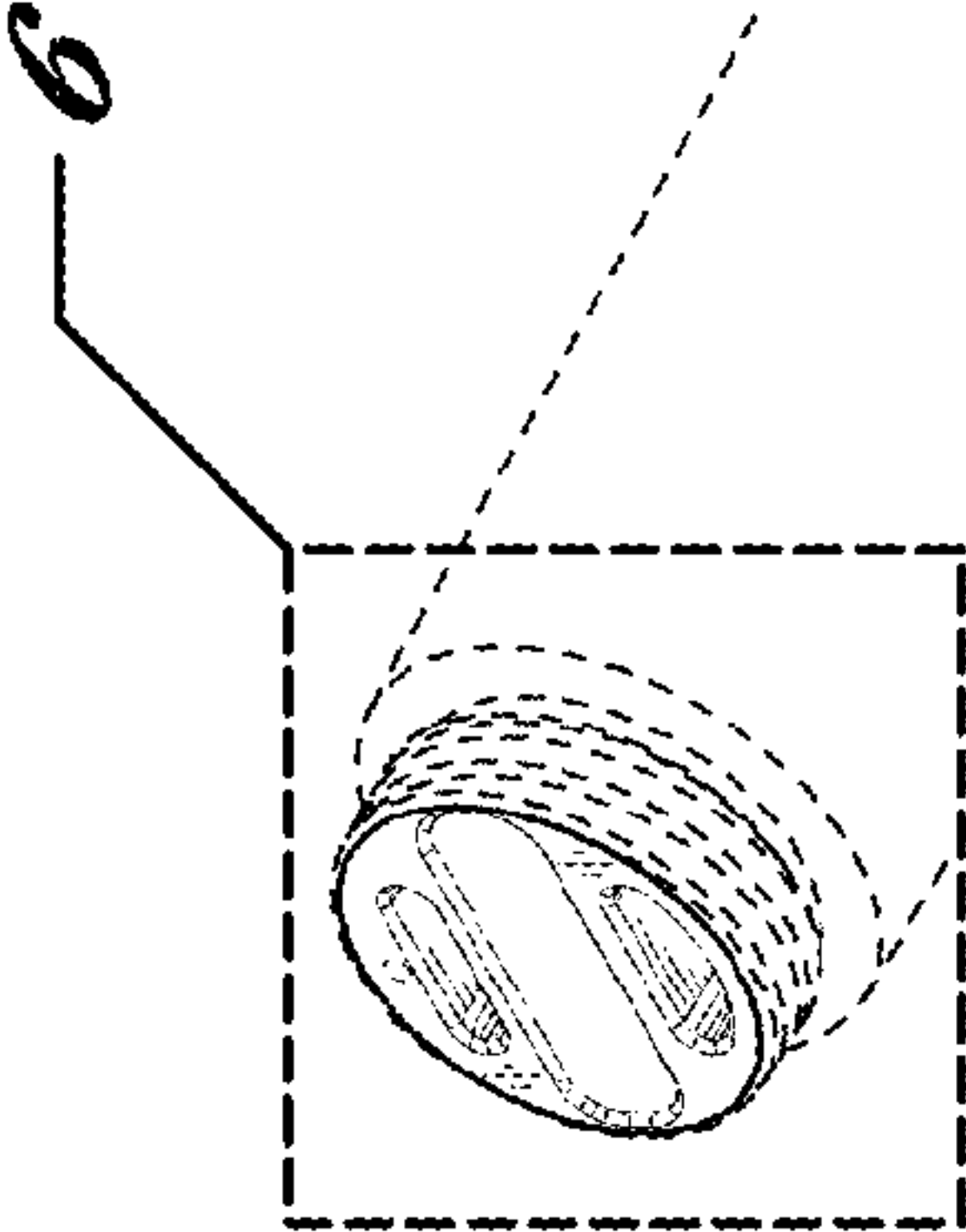


*Fig. 3*

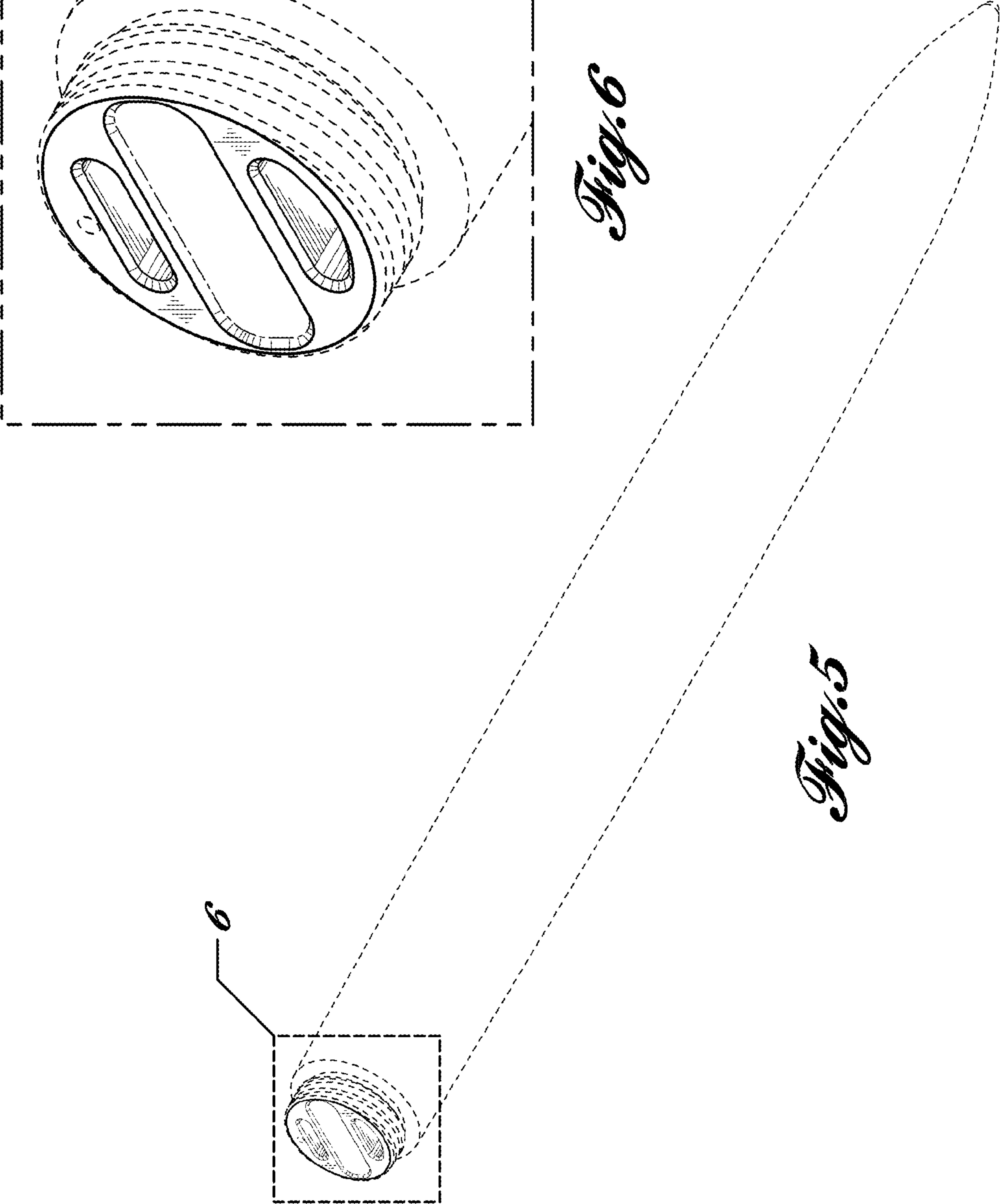




*Fig. 6*

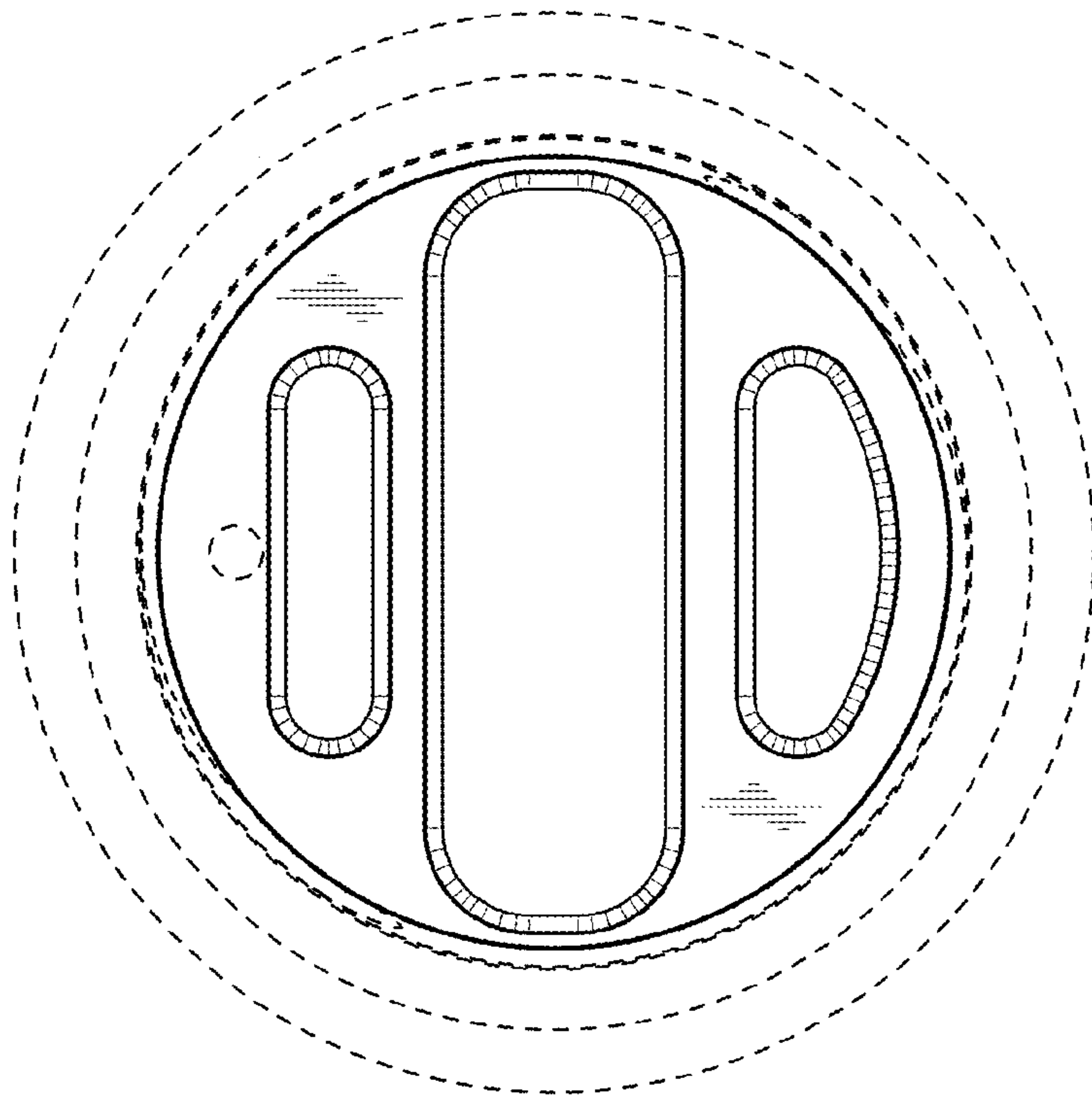


*Fig. 5*



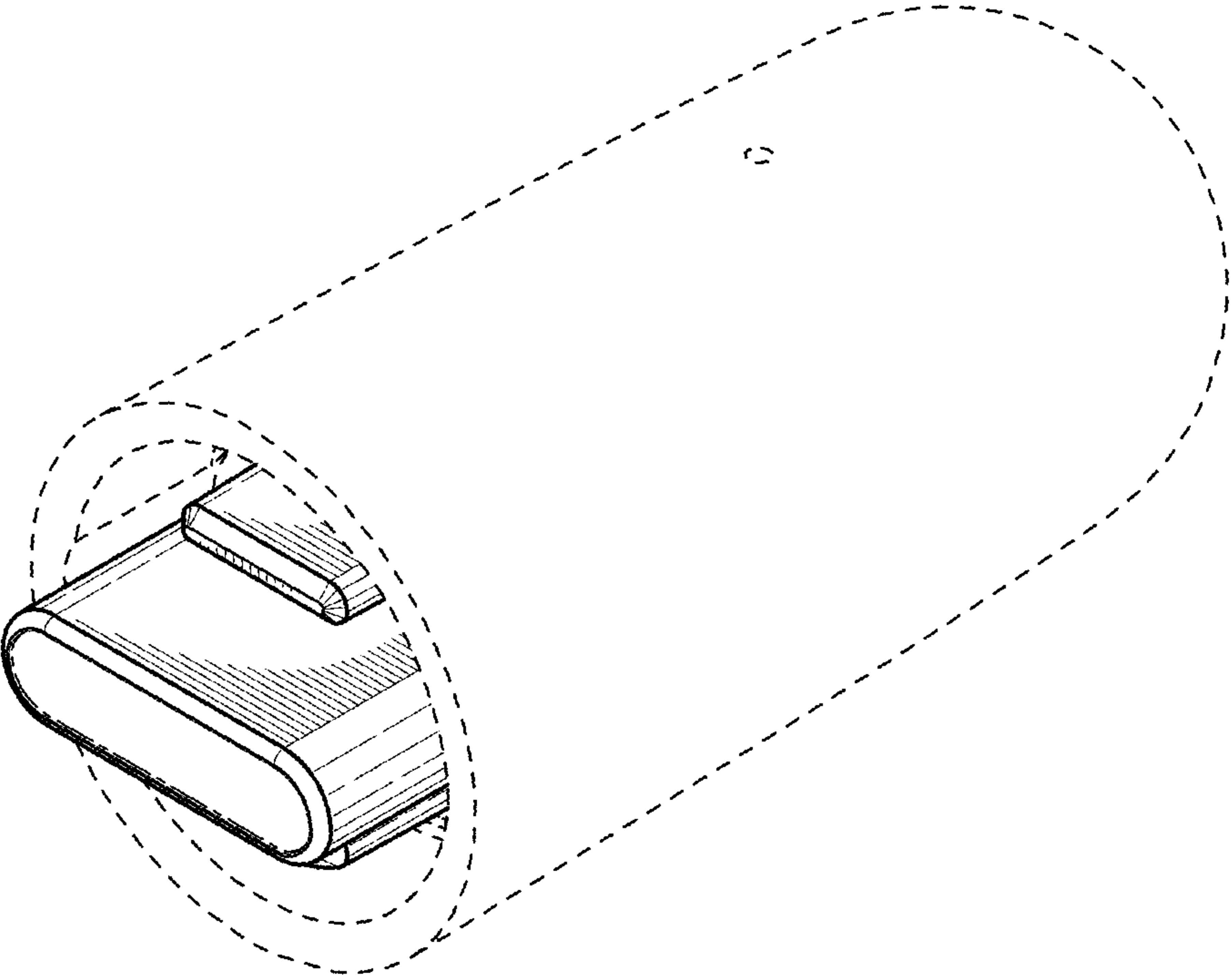


*Fig. 7*

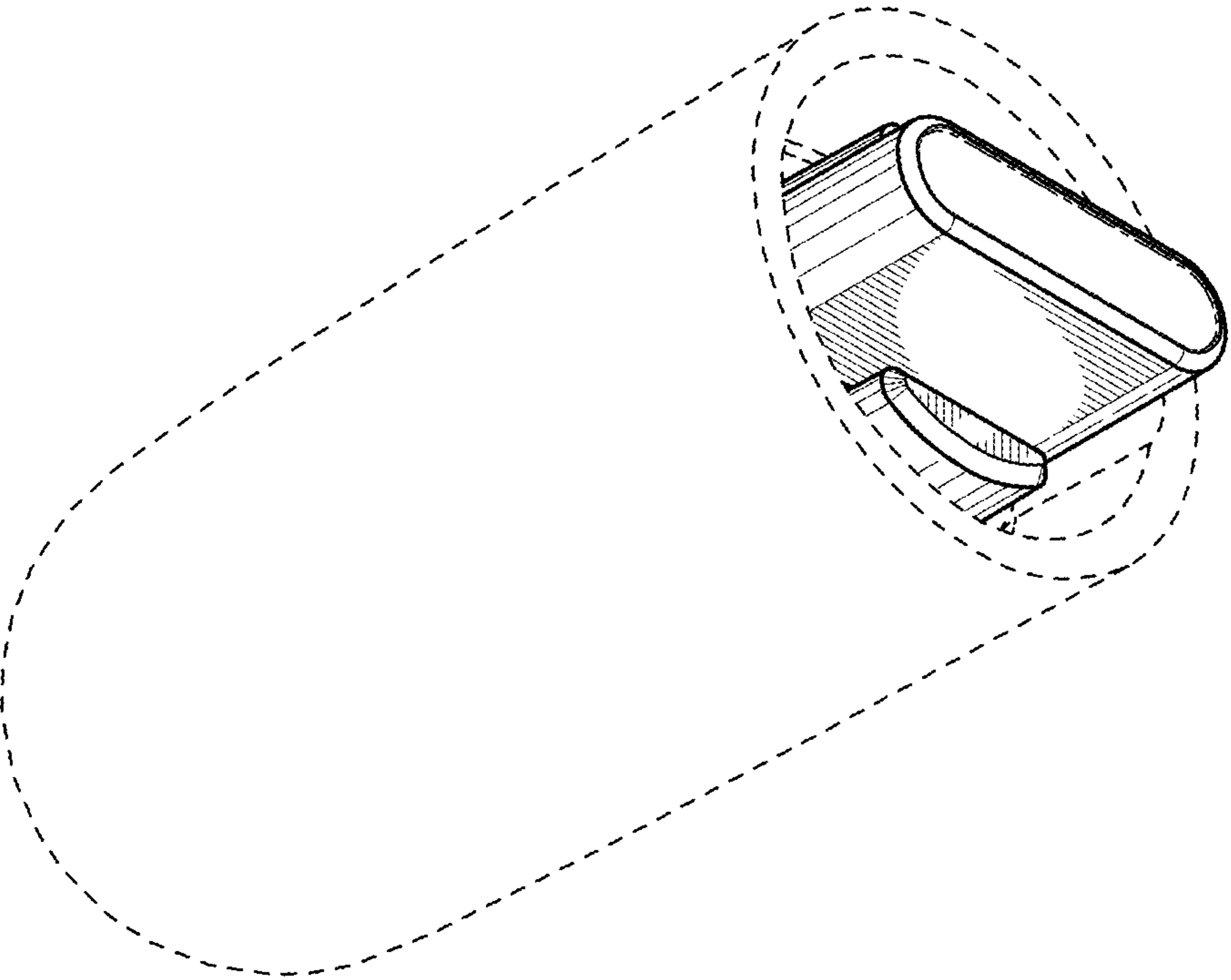


*Fig. 8*

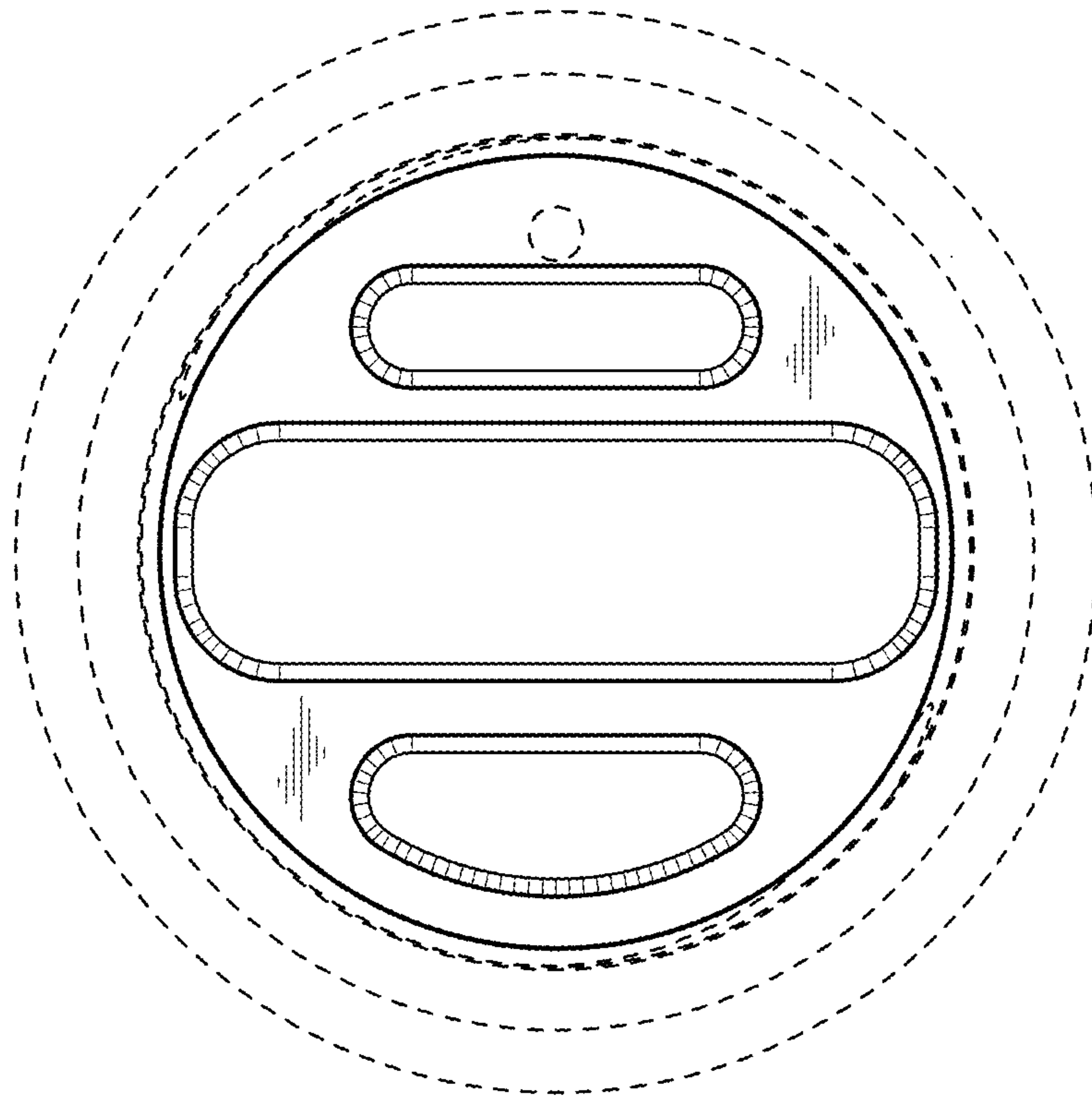




*Fig. 9*



*Fig. 10*



*Fig. 11*