



US00D933656S

(12) **United States Design Patent** (10) **Patent No.:** **US D933,656 S**
Ambridge et al. (45) **Date of Patent:** **** Oct. 19, 2021**

(54) **SUPPORT STRUCTURE**

FOREIGN PATENT DOCUMENTS

(71) Applicant: **COLEBROOK BOSSON & SAUNDERS (PRODUCTS) LIMITED**, London (GB)

CN 303143804 3/2015
CN 304197758 * 7/2017 14/99
(Continued)

(72) Inventors: **Alex Ambridge**, London (GB); **Simon Bibby**, London (GB); **Kevin Oliver**, London (GB)

OTHER PUBLICATIONS

(73) Assignee: **COLEBROOK BOSSON & SAUNDERS (PRODUCTS) LIMITED**, London (GB)

Lima Monitor Arm, Colbrook Bossons Saunders, colebrookbossonsaunders.com, author and date unlisted © 2020 Herman Miller Company, online, site visited Jun. 16, 2020. Available at URL: <https://www.colebrookbossonsaunders.com/monitor-arms/lima/> (Year: 2020).*

(**) Term: **15 Years**

(Continued)

(21) Appl. No.: **29/727,333**

Primary Examiner — Sandra Snapp

(22) Filed: **Mar. 10, 2020**

Assistant Examiner — Altaira J Swangin

(74) *Attorney, Agent, or Firm* — Michael Best & Friedrich LLP

Related U.S. Application Data

(63) Continuation of application No. 29/672,901, filed on Dec. 10, 2018.

(51) **LOC (13) Cl.** **14-02**

(52) **U.S. Cl.**
USPC **D14/375**

(58) **Field of Classification Search**

USPC D14/138 AB, 336, 371, 374–380, 203.8, D14/206, 214, 253, 307, 348–355, 372, D14/388–389, 900, 902, 183, 224, 229, D14/238, 324, 363, 452, 510; D20/10, D20/15, 40, 43–44; 40/765; 248/444,
(Continued)

(56) **References Cited**

U.S. PATENT DOCUMENTS

D246,534 S * 11/1977 Buckley D24/177
D275,431 S * 9/1984 Usab 248/921
(Continued)

(57) **CLAIM**

The ornamental design for a support structure, as shown and described.

DESCRIPTION

FIG. 1 is a first perspective view of the design with the arms at an angled orientation.

FIG. 2 is a second perspective view of FIG. 1.

FIG. 3 is a left side elevation view of FIG. 1.

FIG. 4 is a right side elevation view of FIG. 1.

FIG. 5 is a rear elevation view of FIG. 1.

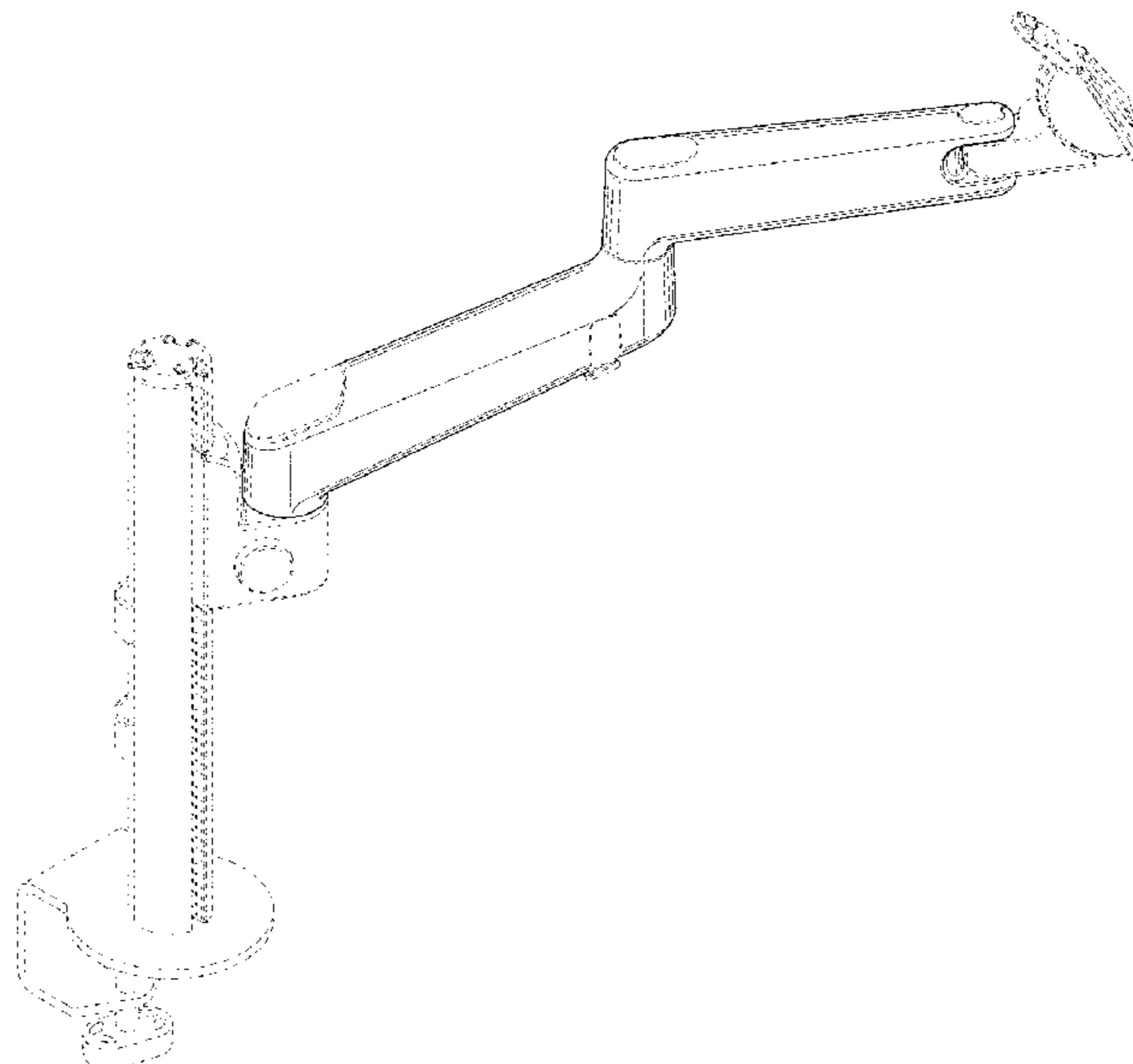
FIG. 6 is a front elevation view of FIG. 1.

FIG. 7 is a top plan view of FIG. 1 with the arms at a straight orientation; and,

FIG. 8 is a bottom plan view of FIG. 1 with the arms at a straight orientation.

The broken lines show portions of the support structure that form no part of the claimed design.

1 Claim, 8 Drawing Sheets



(58) **Field of Classification Search**

USPC 248/444.1; D8/363, 380; D18/4.1,
D18/4.3-4.6, 11, 12.3; 348/150-151,
348/160; 235/42, 381
CPC A47G 1/141; A47G 1/0605; A47G 1/142;
G09F 1/12; G09F 1/00; H04N 5/2252;
G06Q 20/20; G06Q 20/20
See application file for complete search history.

(56) **References Cited**

U.S. PATENT DOCUMENTS

D311,829 S * 11/1990 Vossoughi D6/513
D323,323 S * 1/1992 Klaebel D14/452
D337,173 S * 7/1993 Yamada D26/140
D337,736 S * 7/1993 Tolman D10/115
D391,148 S * 2/1998 Rosen D14/452
D401,599 S * 11/1998 Stumpf D15/133
D427,604 S * 7/2000 Rosen D14/447
D491,574 S * 6/2004 Hung D14/452
D494,183 S * 8/2004 Wills D14/452
D507,477 S * 7/2005 Pfister D14/451
D544,489 S * 6/2007 Oddsen, Jr. D14/452
D559,662 S * 1/2008 Sculler D8/380
7,389,965 B2 6/2008 Oddsen, Jr. et al.
D577,731 S * 9/2008 Altonji D14/452
D594,010 S * 6/2009 Altonji D14/452
D595,723 S * 7/2009 Bures D14/451
D598,917 S * 8/2009 Luber D14/375
D630,637 S * 1/2011 Saelid D14/452
D631,052 S * 1/2011 Hung D14/452
D651,199 S 12/2011 Huang
D655,297 S * 3/2012 Magnusson D14/452
D655,532 S * 3/2012 Saelid D14/452
D660,307 S * 5/2012 Huang D14/452
D660,845 S * 5/2012 Schmauch D14/452
D670,554 S * 11/2012 Bowman D8/363
D729,815 S * 5/2015 Anderson D14/452
D735,342 S * 7/2015 Asad D24/185
D742,206 S * 11/2015 Bowman D8/363
D745,873 S * 12/2015 Xiang D14/452
D747,179 S * 1/2016 Xiang D8/363
D751,566 S * 3/2016 Anderson D14/452
9,700,711 B2 7/2017 Grant et al.
D796,519 S * 9/2017 Hung D14/452
D815,643 S * 4/2018 Bowman D14/452
D822,671 S * 7/2018 Chu D14/452
D830,371 S * 10/2018 Lau D14/452

D834,030 S * 11/2018 Lindo D14/452
D843,379 S * 3/2019 Lindo D14/452
D843,380 S * 3/2019 Lindo D14/452
D845,963 S * 4/2019 Lindo D14/452
D847,823 S * 5/2019 Monsalve D14/452
D849,013 S * 5/2019 Monsalve D14/452
D849,727 S 5/2019 van Til et al.
D875,105 S * 2/2020 Xiang D14/452
D877,744 S * 3/2020 Xiang D14/452
D879,792 S * 3/2020 Glickstein D14/452
D879,793 S * 3/2020 Glickstein D14/452
D880,377 S * 4/2020 Spencer D12/162
D883,298 S * 5/2020 Wakasugi D14/452
10,767,809 B2 * 9/2020 Lau F16M 13/022
D918,218 S * 5/2021 Lyu D14/452
D919,631 S * 5/2021 Shu D14/452
D921,645 S * 6/2021 Shu D14/452
2012/0267497 A1 10/2012 Bowman et al.
2016/0352054 A1 * 12/2016 Xiang F16M 11/2007
2018/0112820 A1 * 4/2018 Lau F16M 11/24

FOREIGN PATENT DOCUMENTS

CN 304345179 * 11/2017 14/99
DE 4318669 A1 12/1994
EM 006564969-0001 * 7/2019 14/99
EP 1312852 A2 5/2003
JP 03193302 U 9/2014
JP 2017150498 A 8/2017
JP D1656316 * 3/2020 14/6
JP D 1656362 3/2020

OTHER PUBLICATIONS

Dual-Swivel Monitor Arm, 3M, amazon.com, published by 3M on Aug. 10, 2012 © 1996-2020 Amazon.com, Inc., online, site visited Jun. 16, 2020. Available at URL: <https://www.amazon.com/3M-Monitor-Holding-Monitors-MA140MB/dp/B009NSJ8J4> (Year: 2012).
Full Motion Adjustable Arm, AVLT, amazon.com, published by AVLT on Aug. 5, 2016 © 1996-2020 Amazon.com, Inc., online, site visited Jun. 16, 2020. Available at URL: https://www.amazon.com/AVLT-Power-Premium-Quality-Aluminum-Mounting/dp/B01JH2NDW8/ref=as_li_ss_tl?s=office-products&i... (Year: 2016).
International Search Report with Written Opinion for related Application No. PCT/EP2018/084236 dated Aug. 21, 2019 (12 Pages).
US Office Action for related U.S. Appl. No. 29/672,901 dated Sep. 9, 2020 (18 pages including form 892).

* cited by examiner

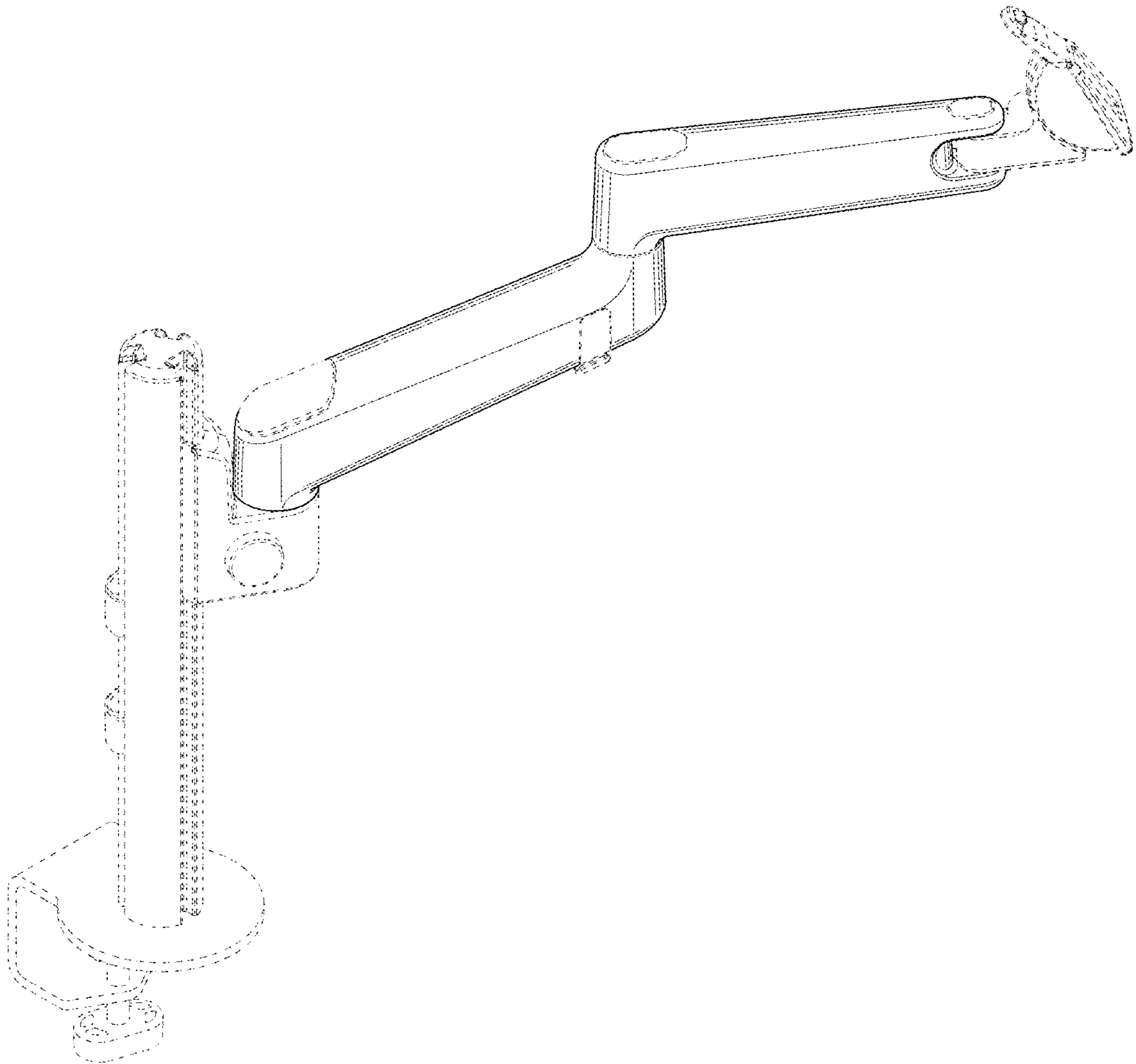


FIG. 1

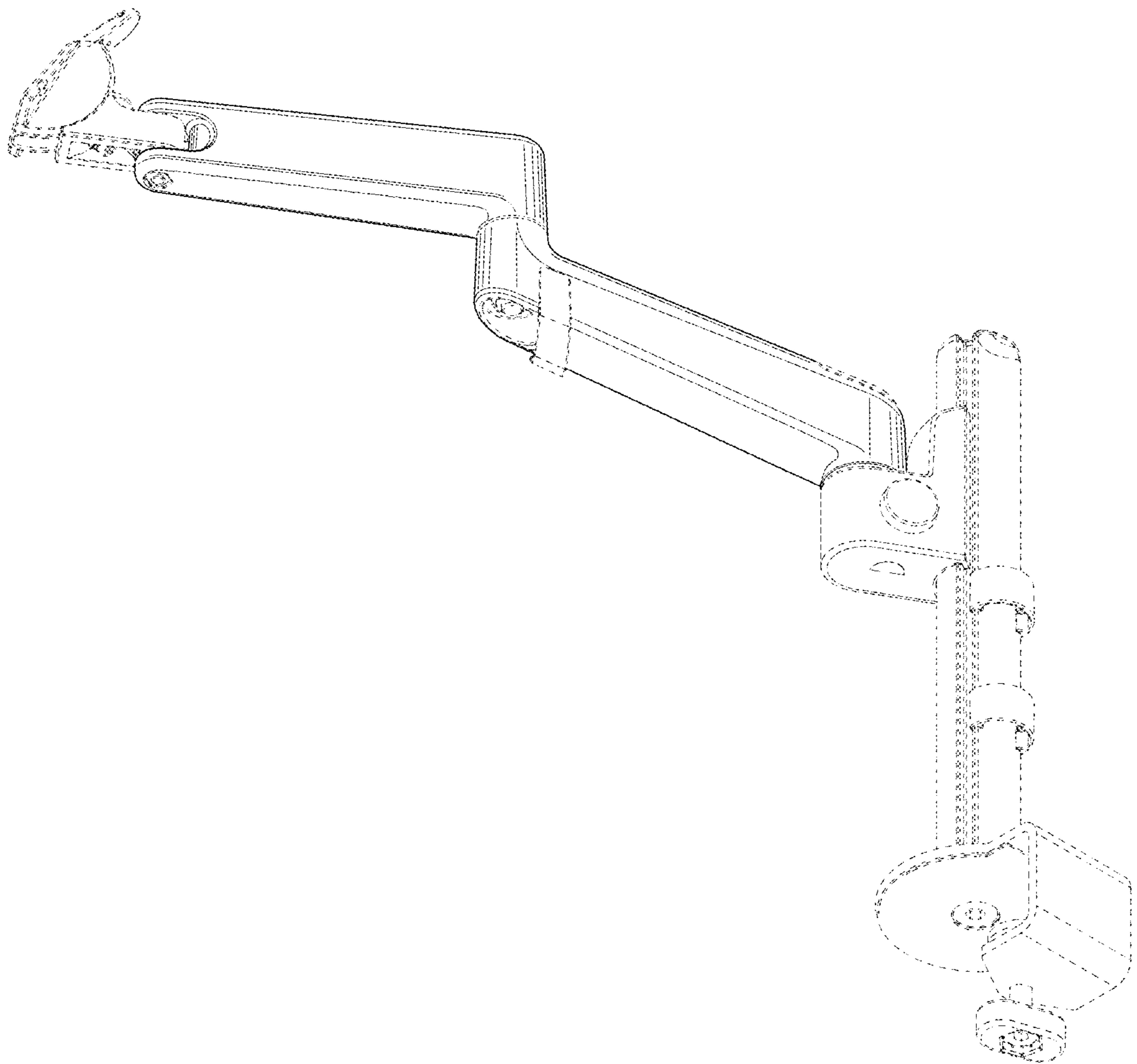


FIG. 2

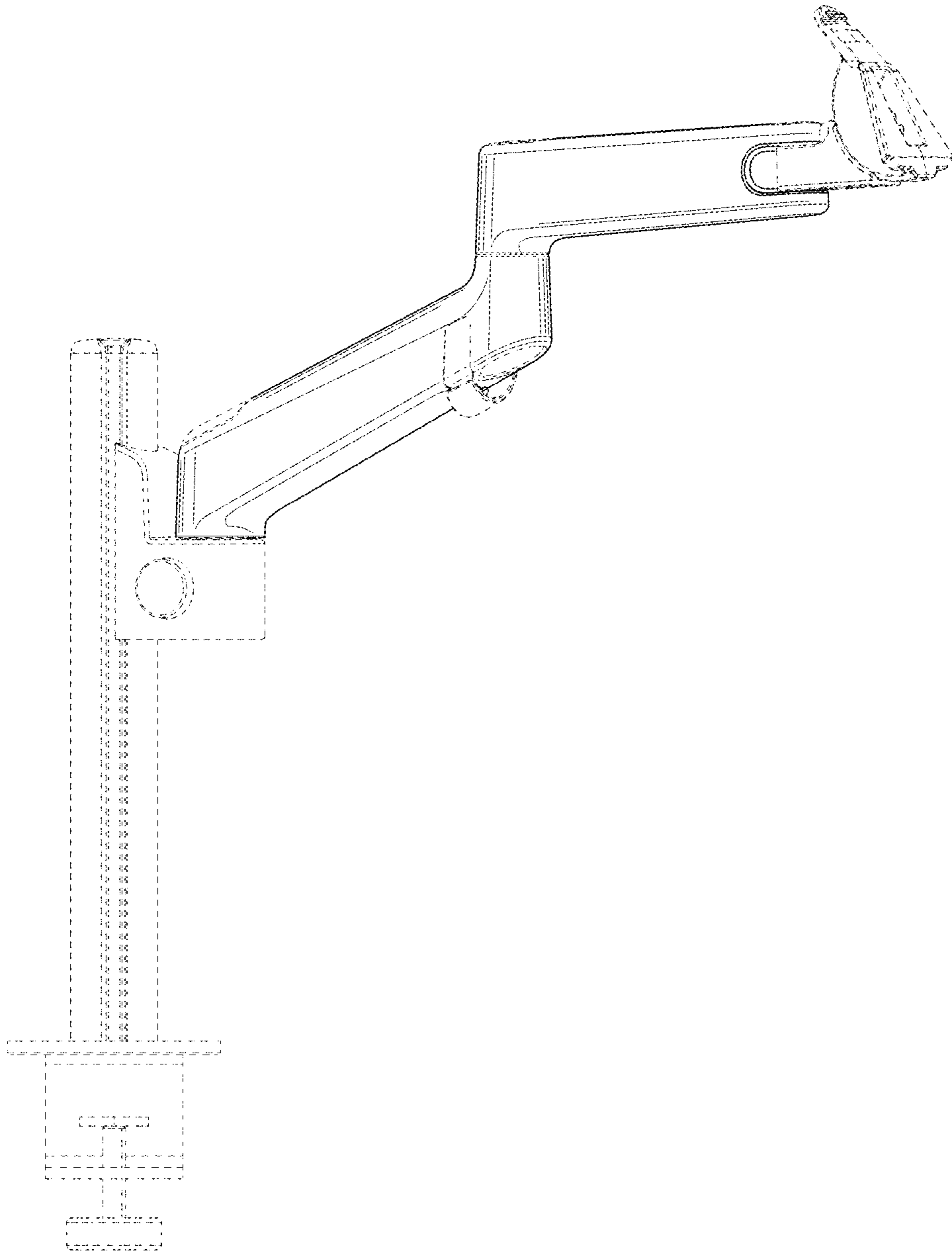


FIG. 3

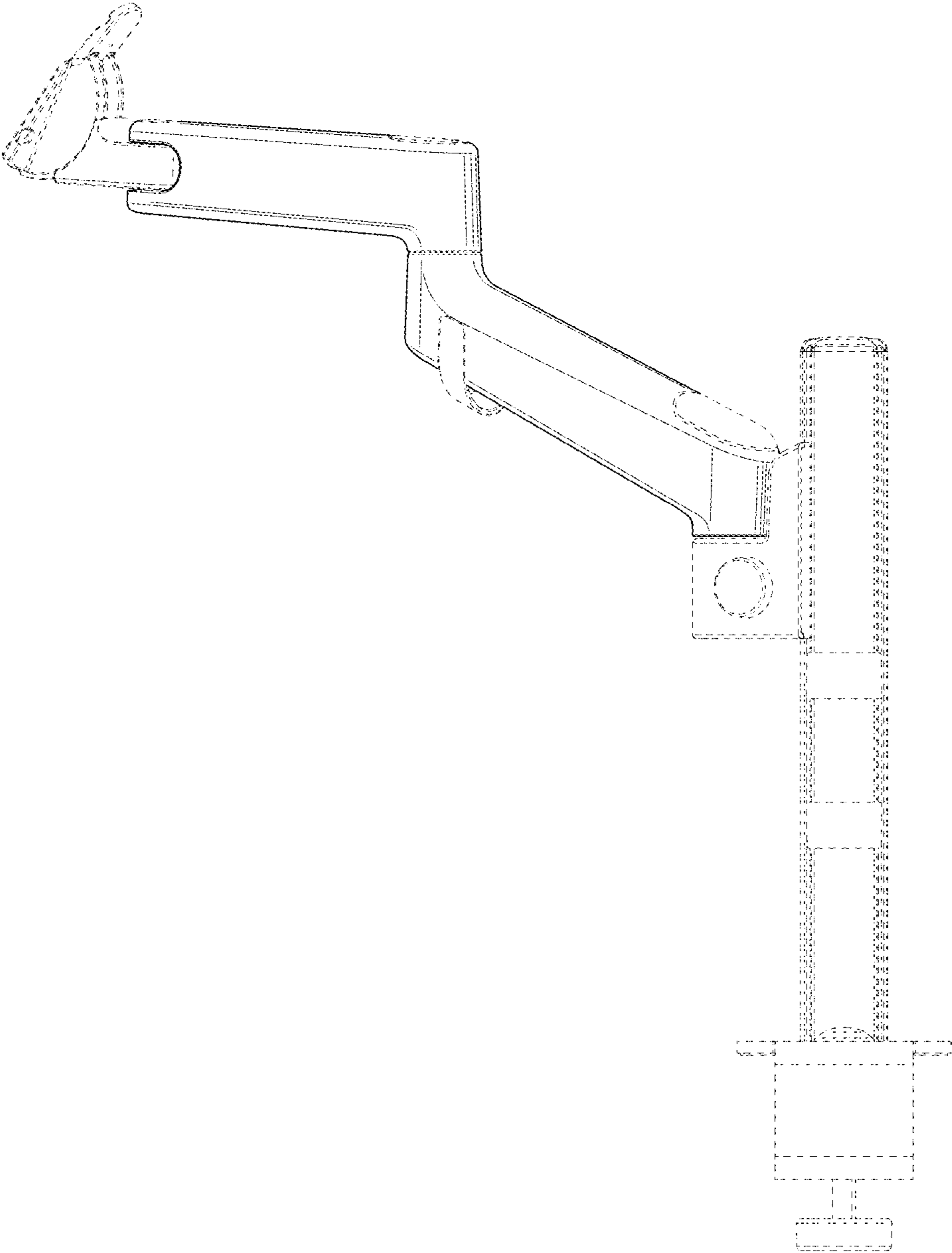


FIG. 4

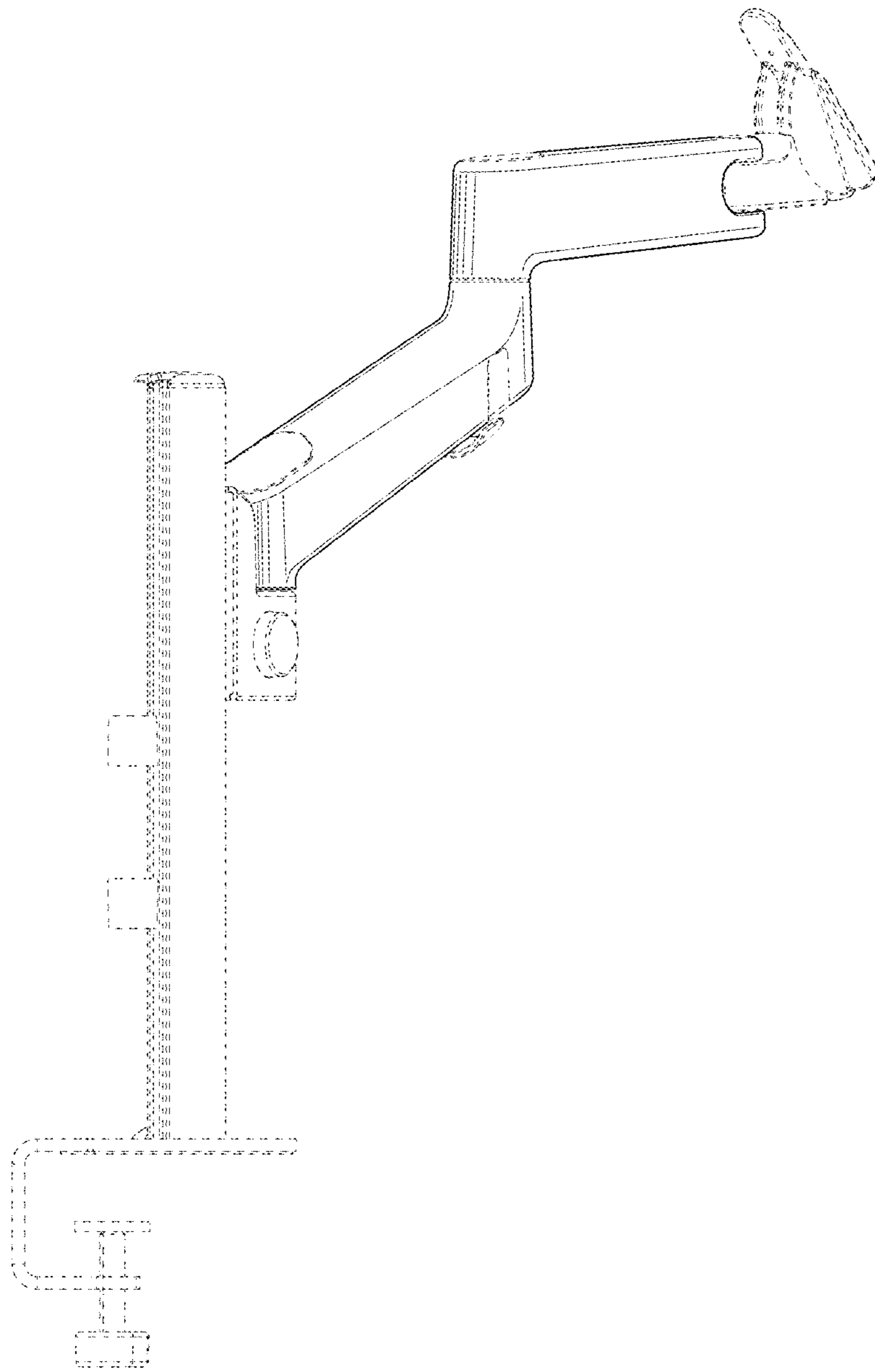


FIG. 5

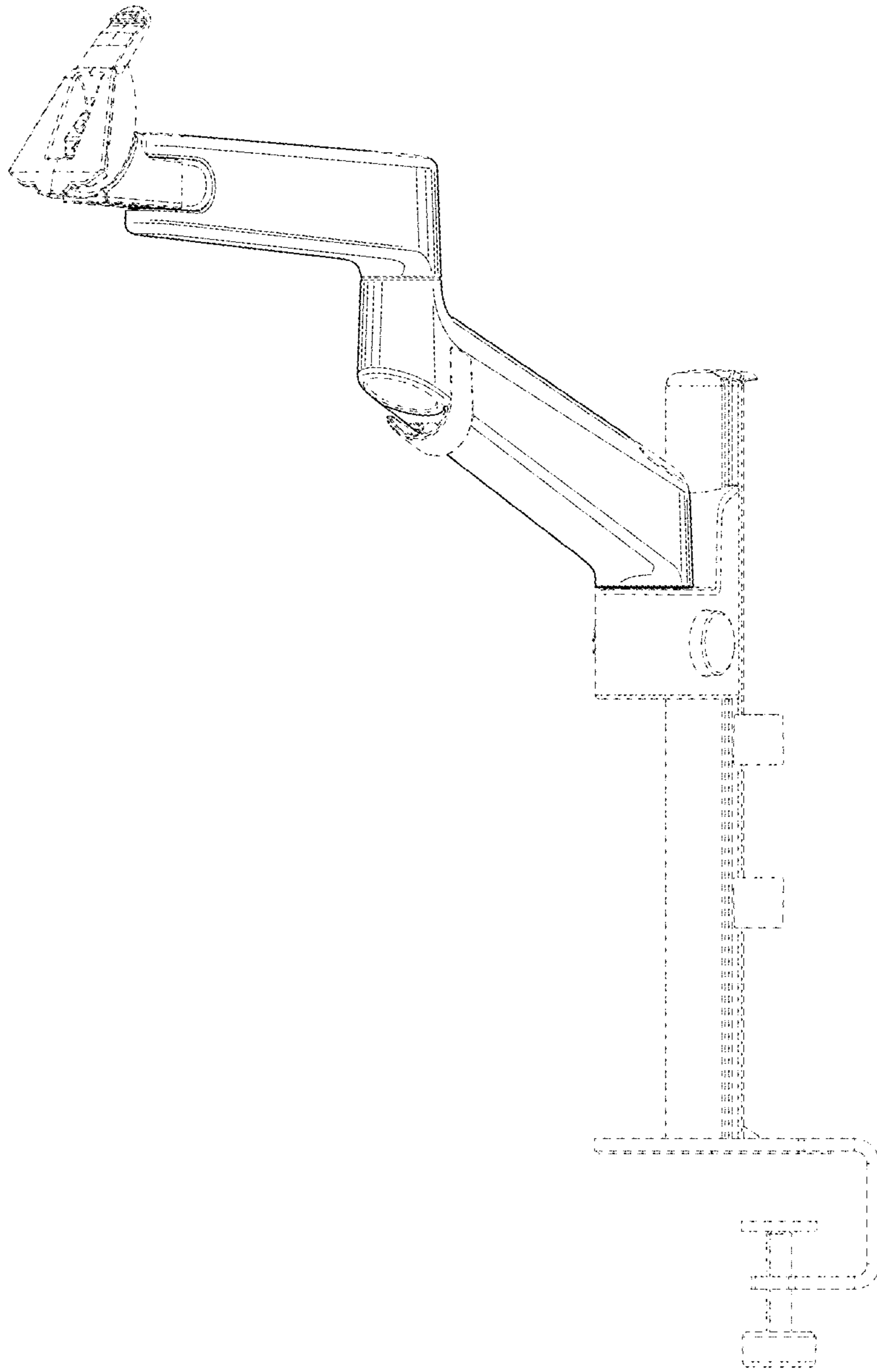


FIG. 6

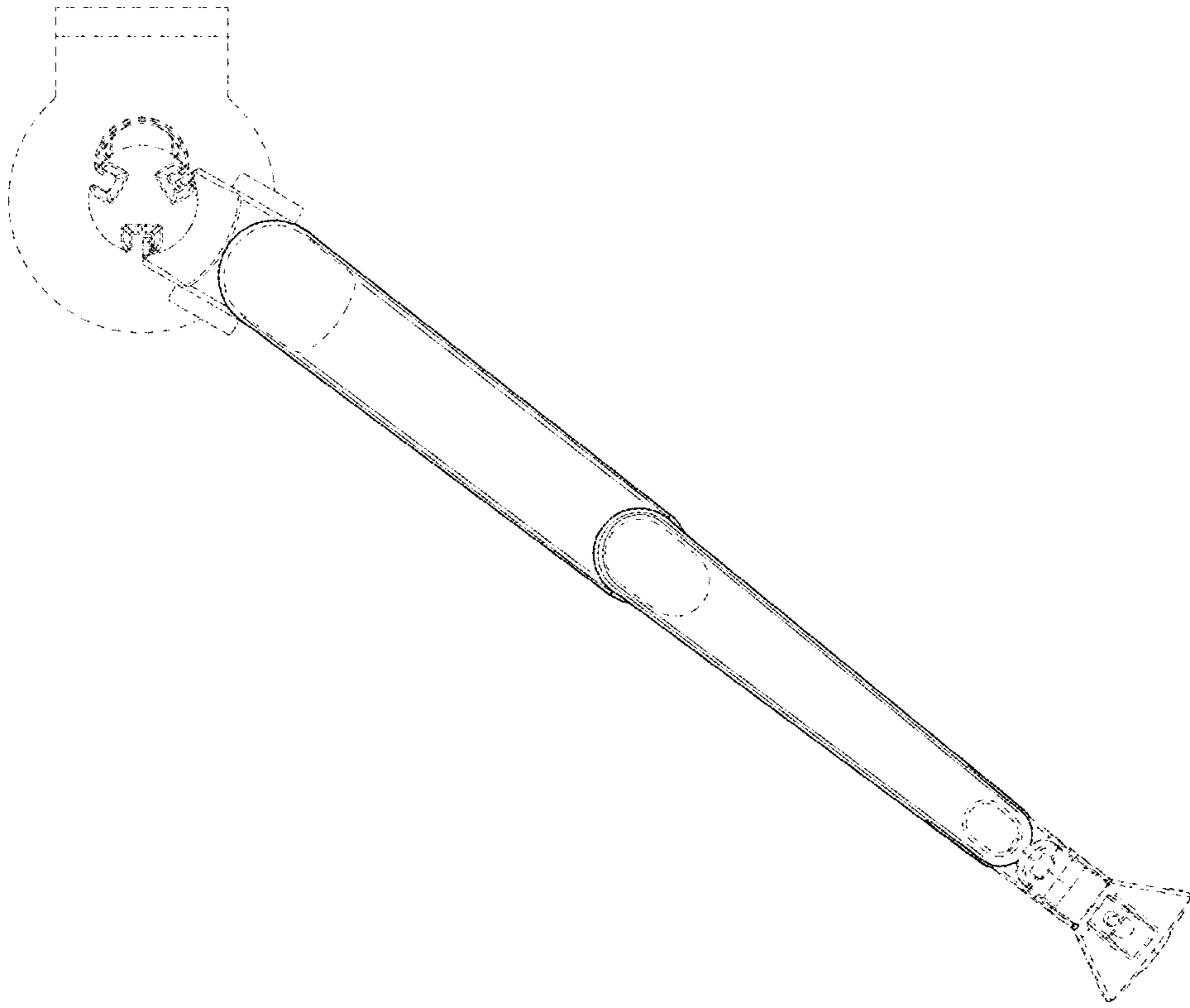


FIG. 7

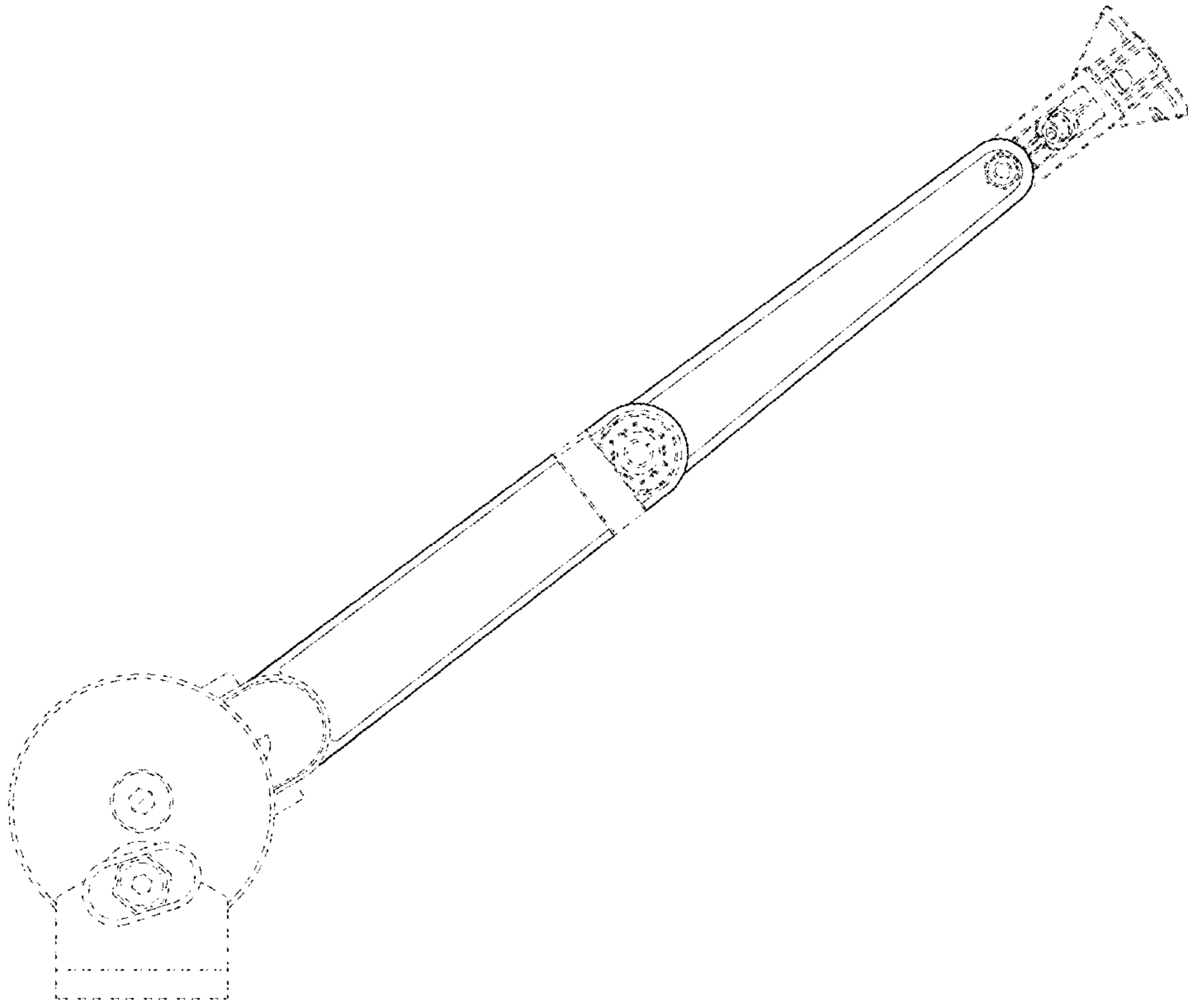


FIG. 8