



US00D933650S

(12) **United States Design Patent**
Rich et al.

(10) **Patent No.:** **US D933,650 S**

(45) **Date of Patent:** **** Oct. 19, 2021**

(54) **WEARABLE DEVICE**

(71) Applicant: **SONY CORPORATION**, Tokyo (JP)

(72) Inventors: **Jake Rich**, Weybridge (GB); **Karin Harenstam**, Lund (SE)

(73) Assignee: **SONY CORPORATION**, Tokyo (JP)

(**) Term: **15 Years**

(21) Appl. No.: **29/724,059**

(22) Filed: **Feb. 12, 2020**

(51) **LOC (13) Cl.** **14-02**

(52) **U.S. Cl.**
USPC **D14/344**

(58) **Field of Classification Search**

USPC ... D14/126-130, 138, 138 R, 144, 300, 341,
D14/344, 358, 388, 485-495, 218;
D10/30-39, 40, 41, 46, 70, 79, 98, 106.5,
D10/106.6, 106.92, 106.94, 114.6, 123,
D10/125-128, 131; D11/1-4, 26, 40-41,
D11/93, 94, 78.1, 79, 86; D24/167-169,
D24/186-187, 164; D21/324-329
CPC A41D 1/002; A41D 19/0034; G06F 1/08;
G06F 1/10; G06F 1/14; G06F 1/1626;
G06F 1/1628; G06F 1/163; G06F 1/1635;
G06F 1/3203; G06F 1/1613; G06F
2200/1633; G06F 3/0488; G06F 3/04886;
G06F 3/044; G06F 3/0412; G06F 3/0416;
G06Q 20/10; G06Q 20/12; G06Q 20/108;
G06Q 20/145; H04B 1/3833; H04B
1/385; H04B 1/3888; H04M 1/02; H04M
1/03; H04M 1/04; H04M 1/05; H04M
1/667; H04M 1/6058; Y02B 60/1217

See application file for complete search history.

(56) **References Cited**

U.S. PATENT DOCUMENTS

D301,692 S * 6/1989 Wakamatsu D10/30
D390,789 S * 2/1998 Sugita D10/30

D452,006 S * 12/2001 Komulainen D10/31
D544,372 S * 6/2007 Seyr D10/32
D550,101 S * 9/2007 Umebayashi D10/32
D730,199 S * 5/2015 Gerard-Goddet D10/32
D742,254 S * 11/2015 Greusel D10/30
D742,761 S * 11/2015 Grazian D10/30
9,737,123 B2 * 8/2017 Wright A45C 13/008

(Continued)

FOREIGN PATENT DOCUMENTS

GB 6041455 * 8/2018

OTHER PUBLICATIONS

Ubiq HR Smartwatch, www.prozis.com, [online], [site visited Jan. 19, 2021], Available from internet URL: <https://www.prozis.com/us/en/prozis/ubiq-hr-smartwatch> (Year: 2019).*

(Continued)

Primary Examiner — Samantha Q Lawrence
Assistant Examiner — Holly M Rodriguez
(74) *Attorney, Agent, or Firm* — Michael Best and Friedrich LLP

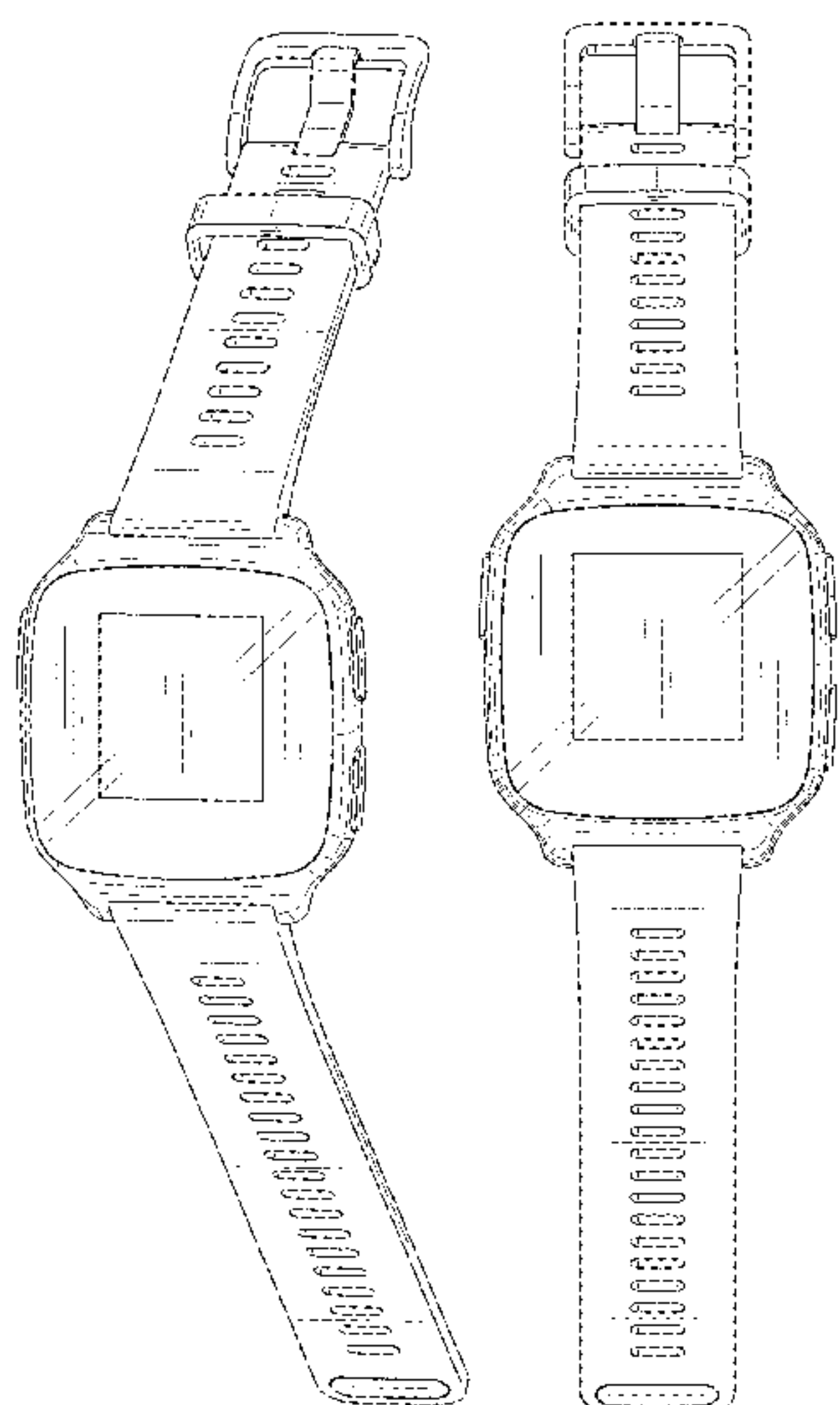
(57) **CLAIM**

The ornamental design for a wearable device, as shown and described.

DESCRIPTION

FIG. 1 is a perspective view of a wearable device showing my new design;
FIG. 2 is a front elevational view thereof;
FIG. 3 is a rear elevational view thereof;
FIG. 4 is a left side elevational view thereof;
FIG. 5 is a right side elevational view thereof;
FIG. 6 is a top plan view thereof; and,
FIG. 7 is a bottom plan view thereof.
The broken lines illustrating portions of the wearable device form no part of the claimed design.

1 Claim, 7 Drawing Sheets



(56)

References Cited

U.S. PATENT DOCUMENTS

D810,739	S	2/2018	Mitsugi et al.	
D852,648	S *	7/2019	Chen	D10/32
D856,160	S *	8/2019	Yu	D10/32
D881,185	S *	4/2020	He	D14/344
D900,810	S *	11/2020	Ke	D14/344
2013/0181873	A1 *	7/2013	Gutschenritter	H01Q 1/48 343/718

OTHER PUBLICATIONS

Sony Smartwatch for Android, First Available Oct. 14, 2014, www.amazon.com, [online], [site visited Jan. 29, 2021], Available from internet URL:<https://www.amazon.com/Sony-SWR50-SmartWatch-Transflective-Display/dp/B00N9OAQI0> (Year: 2014).*

* cited by examiner

FIG.1

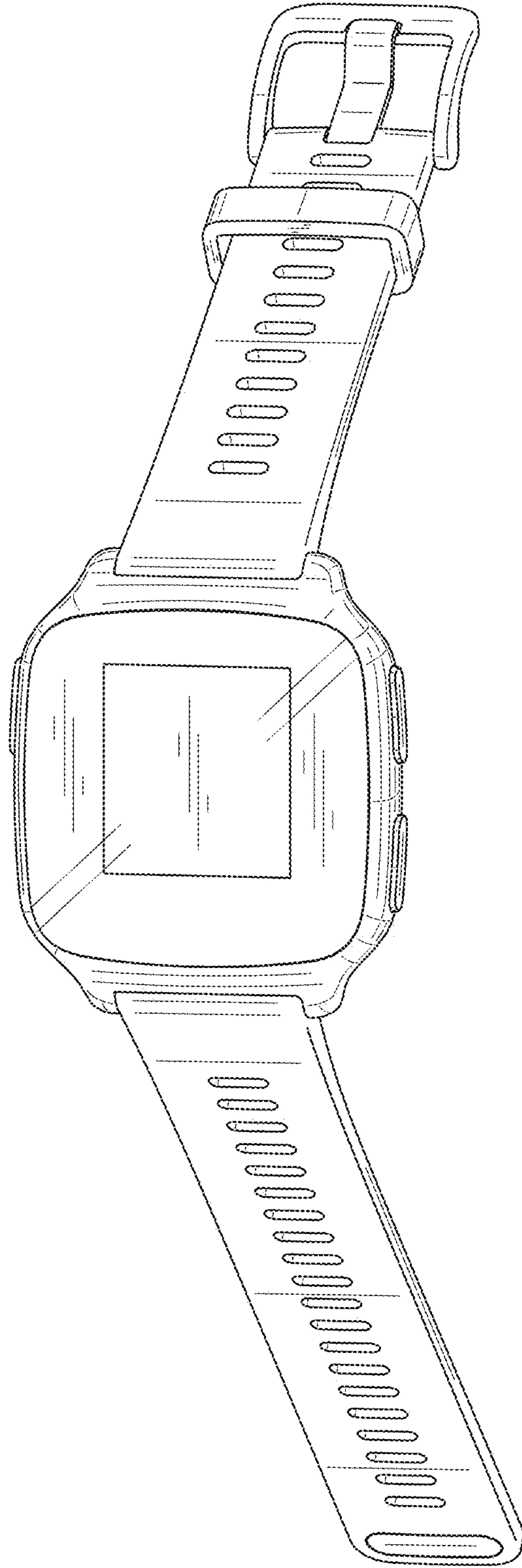


FIG.2

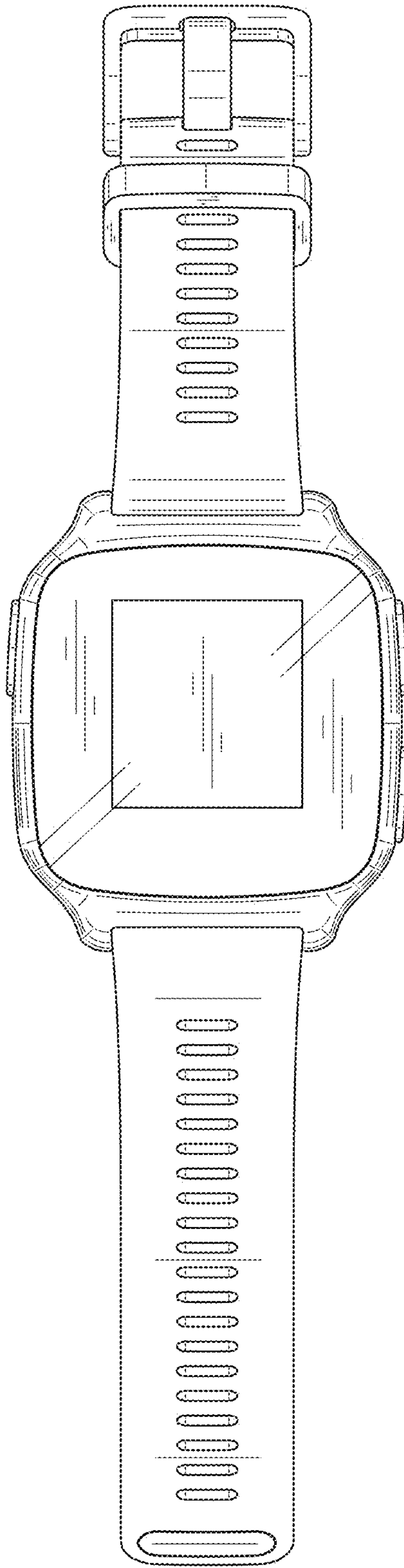


FIG.3

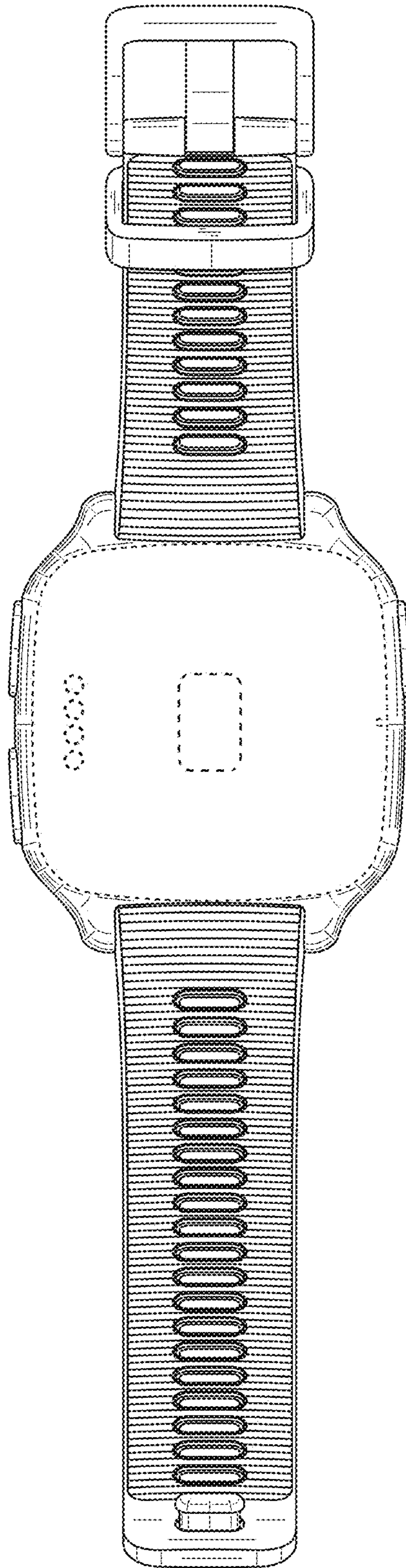


FIG.4

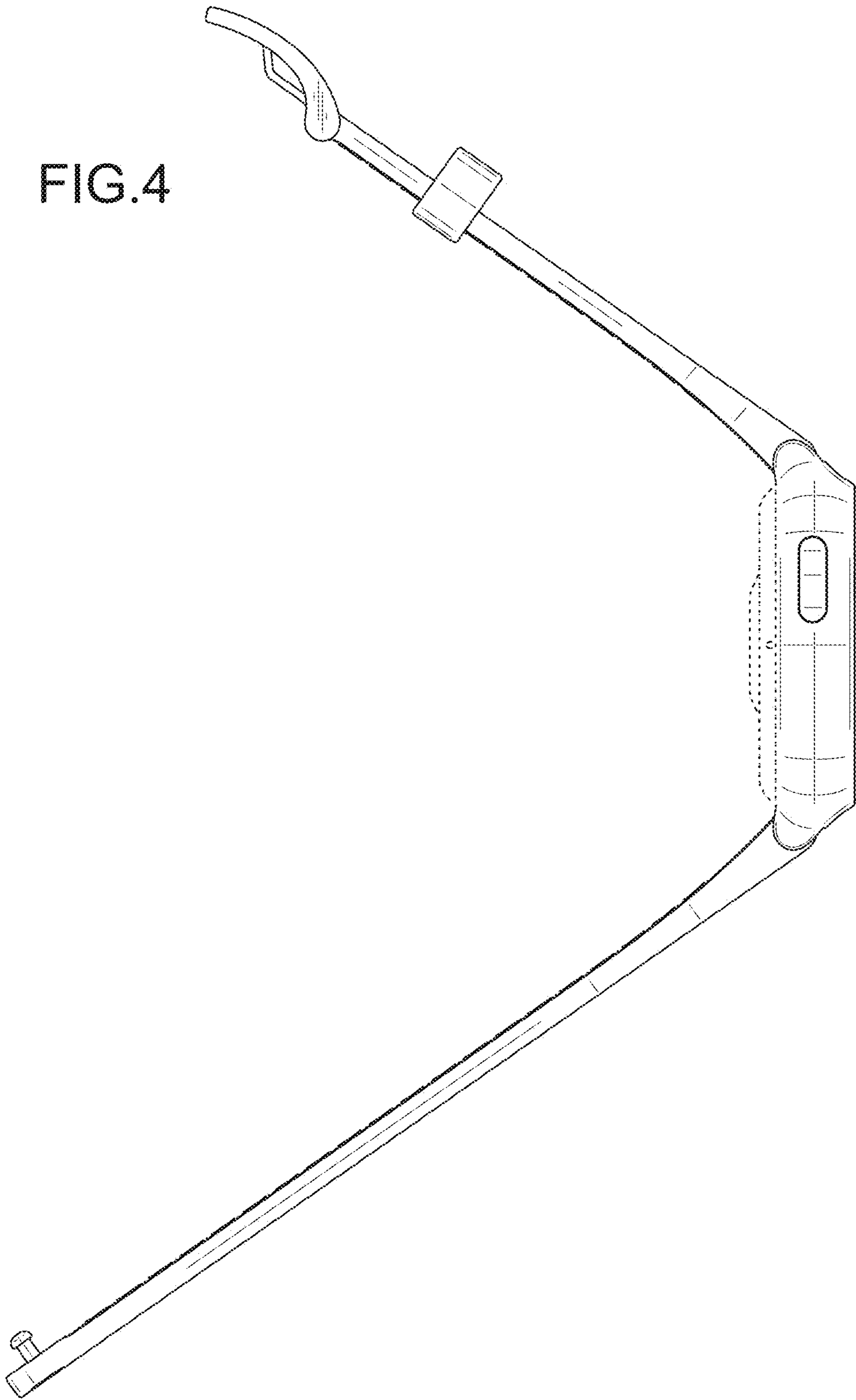


FIG.5

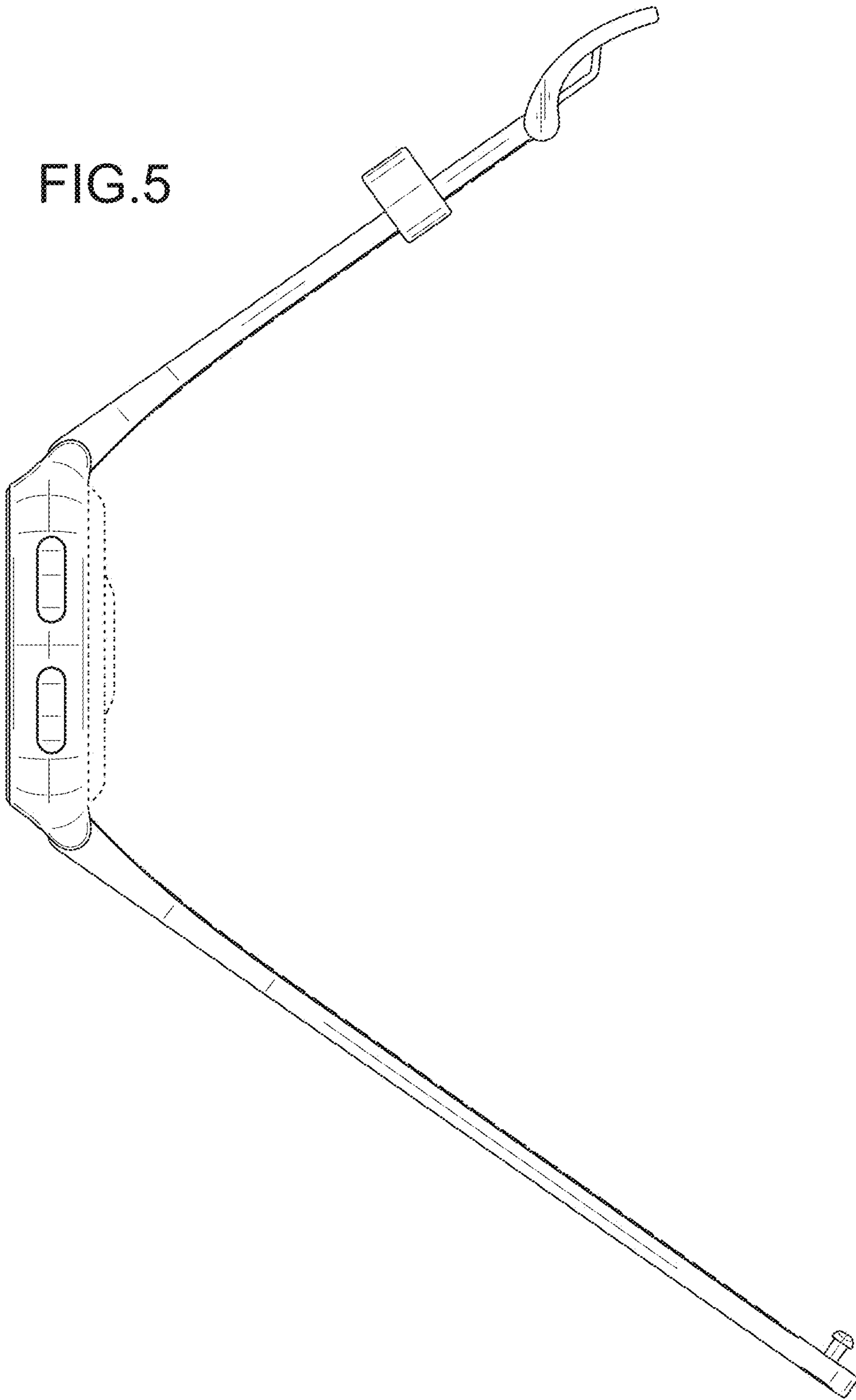


FIG.6

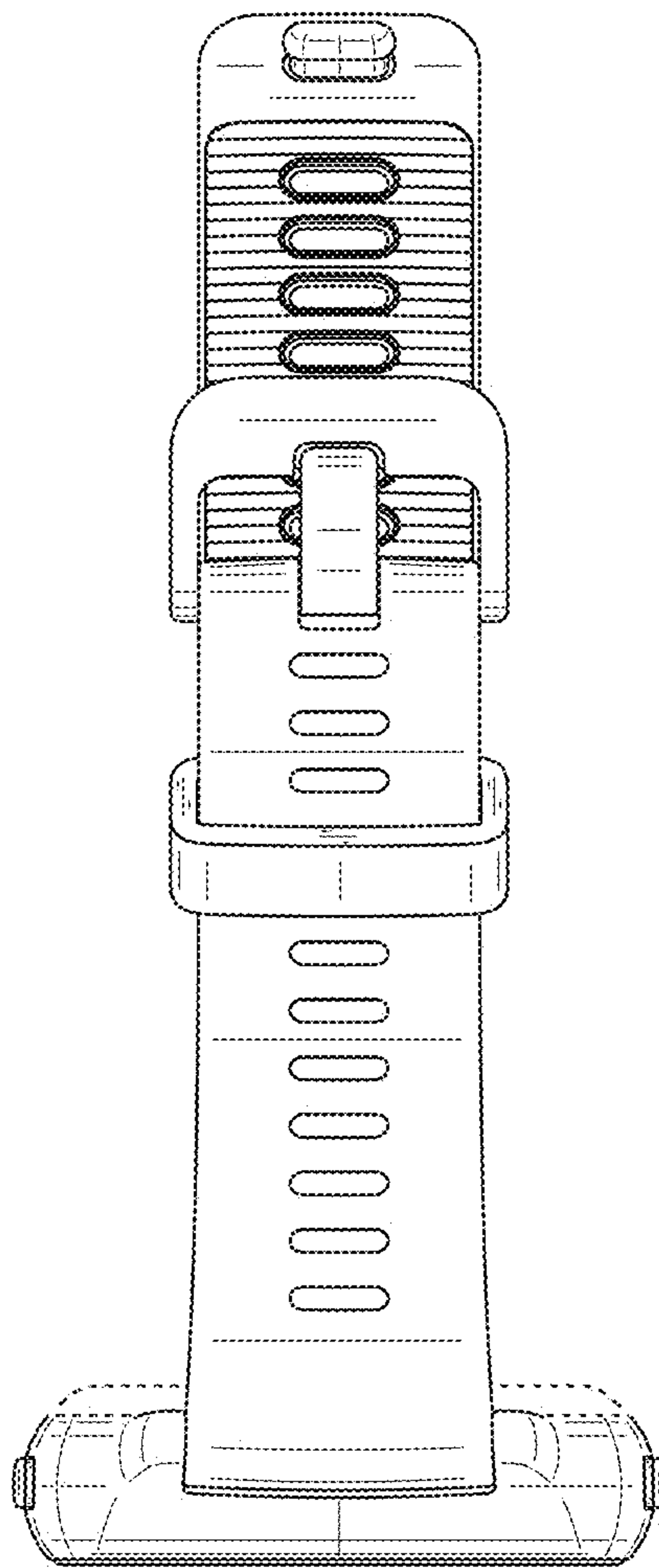


FIG.7

