



US00D933649S

(12) **United States Design Patent**  
**Yu et al.**

(10) **Patent No.:** **US D933,649 S**  
(45) **Date of Patent:** **\*\* Oct. 19, 2021**

(54) **WEARABLE DEVICE**

(71) Applicants: **Zepp, Inc.**, Cupertino, CA (US); **Anhui Huami Information Technology Co., Ltd.**, Hefei (CN)

(72) Inventors: **Pengtao Yu**, Mountain View, CA (US); **Jing Zhao**, Anhui (CN); **Qianfu Huang**, Anhui (CN)

(73) Assignees: **Zepp, Inc.**, Cupertino, CA (US); **Anhui Huami Information Technology Co., Ltd.**, Anhui FTZ (CN)

(\*\*) Term: **15 Years**

(21) Appl. No.: **29/702,133**

(22) Filed: **Aug. 16, 2019**

(51) **LOC (13) Cl.** ..... **14-02**

(52) **U.S. Cl.**  
USPC ..... **D14/344**

(58) **Field of Classification Search**  
USPC ... D14/126-130, 138, 138 R, 144, 300, 341, D14/344, 358, 388, 485-495, 218;  
(Continued)

(56) **References Cited**

**U.S. PATENT DOCUMENTS**

D703,069 S \* 4/2014 Adams ..... D10/31  
D752,043 S \* 3/2016 Ji ..... D14/344  
(Continued)

**FOREIGN PATENT DOCUMENTS**

CN 202030381424.3 \* 7/2020

**OTHER PUBLICATIONS**

The Amazfit X smartwatch, first available Apr. 29, 2020, www.wearable.com, [online], [site visited Feb. 5, 2021], Available from

internet URL: <https://www.wearable.com/smartwatches/amazfit-x-wearable-hits-indiegogo-7957> (Year: 2020).\*

(Continued)

*Primary Examiner* — Samantha Q Lawrence

*Assistant Examiner* — Holly M Rodriguez

(74) *Attorney, Agent, or Firm* — Young Basile Hanlon & MacFarlane, P.C.

(57) **CLAIM**

The ornamental design for a wearable device, as shown and described.

**DESCRIPTION**

FIG. 1 is a top, front, and right perspective view of a first embodiment of the wearable device showing our new design.

FIG. 2 is a front view of the wearable device of FIG. 1.

FIG. 3 is a rear view of the wearable device of FIG. 1.

FIG. 4 is a left side view of the wearable device of FIG. 1.

FIG. 5 is a right side view of the wearable device of FIG. 1.

FIG. 6 is a top view of the wearable device of FIG. 1.

FIG. 7 is a bottom view of the wearable device of FIG. 1.

FIG. 8 is a top, front, and right perspective view of a second embodiment of the wearable device.

FIG. 9 is a front view of the wearable device of FIG. 8.

FIG. 10 is a rear view of the wearable device of FIG. 8.

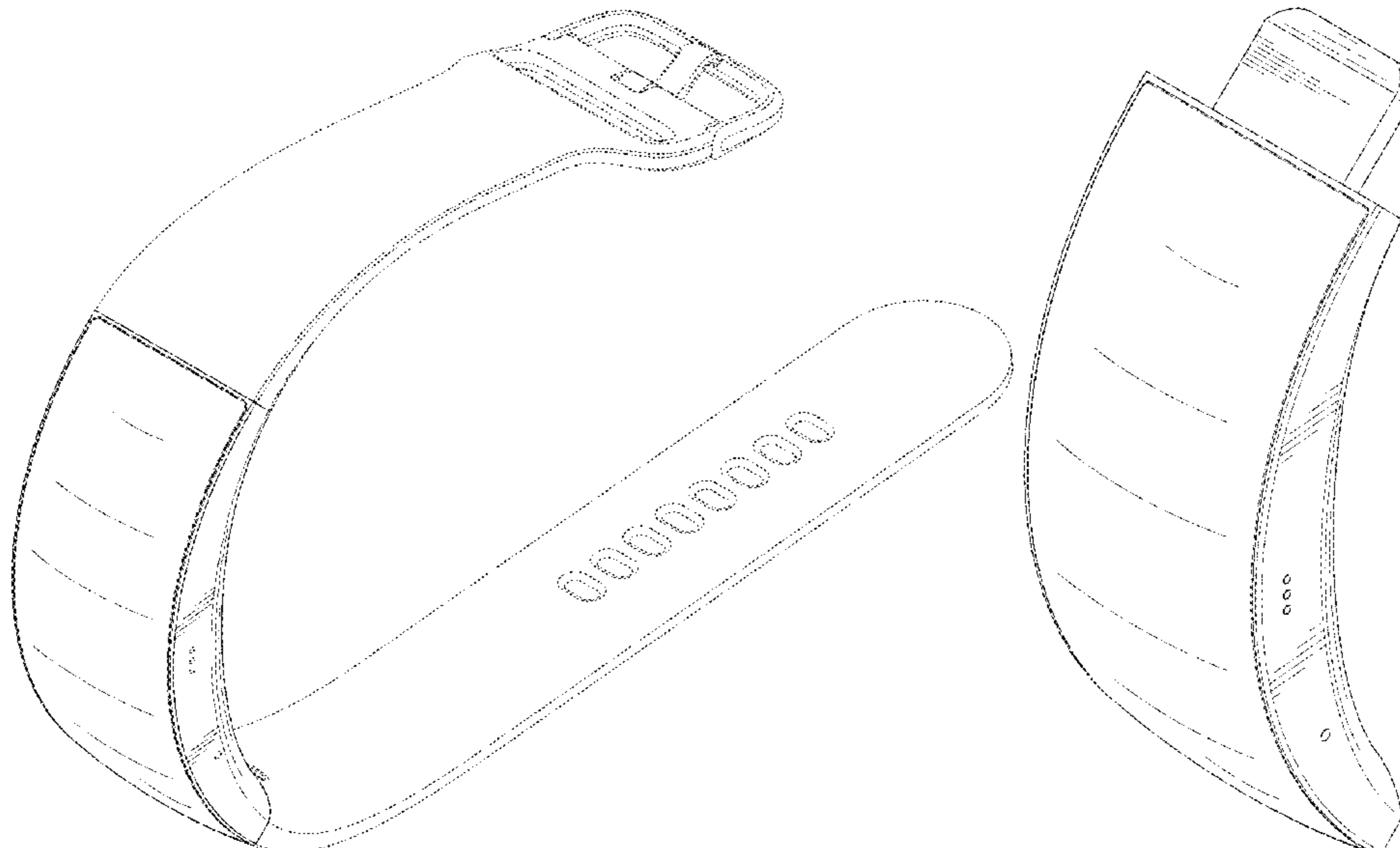
FIG. 11 is a left side view of the wearable device of FIG. 8.

FIG. 12 is a right side view of the wearable device of FIG. 8.

FIG. 13 is a top view of the wearable device of FIG. 8; and, FIG. 14 is a bottom view of the wearable device of FIG. 8.

The ornamental design which is claimed is shown in solid lines in the drawings. The broken lines shown on the rear face illustrate portions of the wearable device that form no part of the claim design. The additional broken lines shown in FIGS. 1-7 that show the wearable device band illustrate environment and form no part of the claimed design.

**1 Claim, 8 Drawing Sheets**



(58) **Field of Classification Search**

USPC ... D10/30-39, 40, 41, 46, 70, 79, 98, 106.5,  
D10/106.6, 106.92, 106.94, 114.6, 123,  
D10/125-128, 131; D11/1-4, 26, 40-41,  
D11/93, 94, 78.1, 79, 86; D24/167-169,  
D24/186-187, 164; D21/324-329

CPC ..... A41D 1/002; A41D 19/0034; G06F 1/08;  
G06F 1/10; G06F 1/14; G06F 1/1626;  
G06F 1/1628; G06F 1/163; G06F 1/1635;  
G06F 1/3203; G06F 1/1613; G06F  
2200/1633; G06F 3/0488; G06F 3/04886;  
G06F 3/044; G06F 3/0412; G06F 3/0416;  
G06Q 20/10; G06Q 20/12; G06Q 20/108;  
G06Q 20/145; H04B 1/3833; H04B  
1/385; H04B 1/3888; H04M 1/02; H04M  
1/03; H04M 1/04; H04M 1/05; H04M  
1/667; H04M 1/6058; Y02B 60/1217

See application file for complete search history.

(56)

**References Cited**

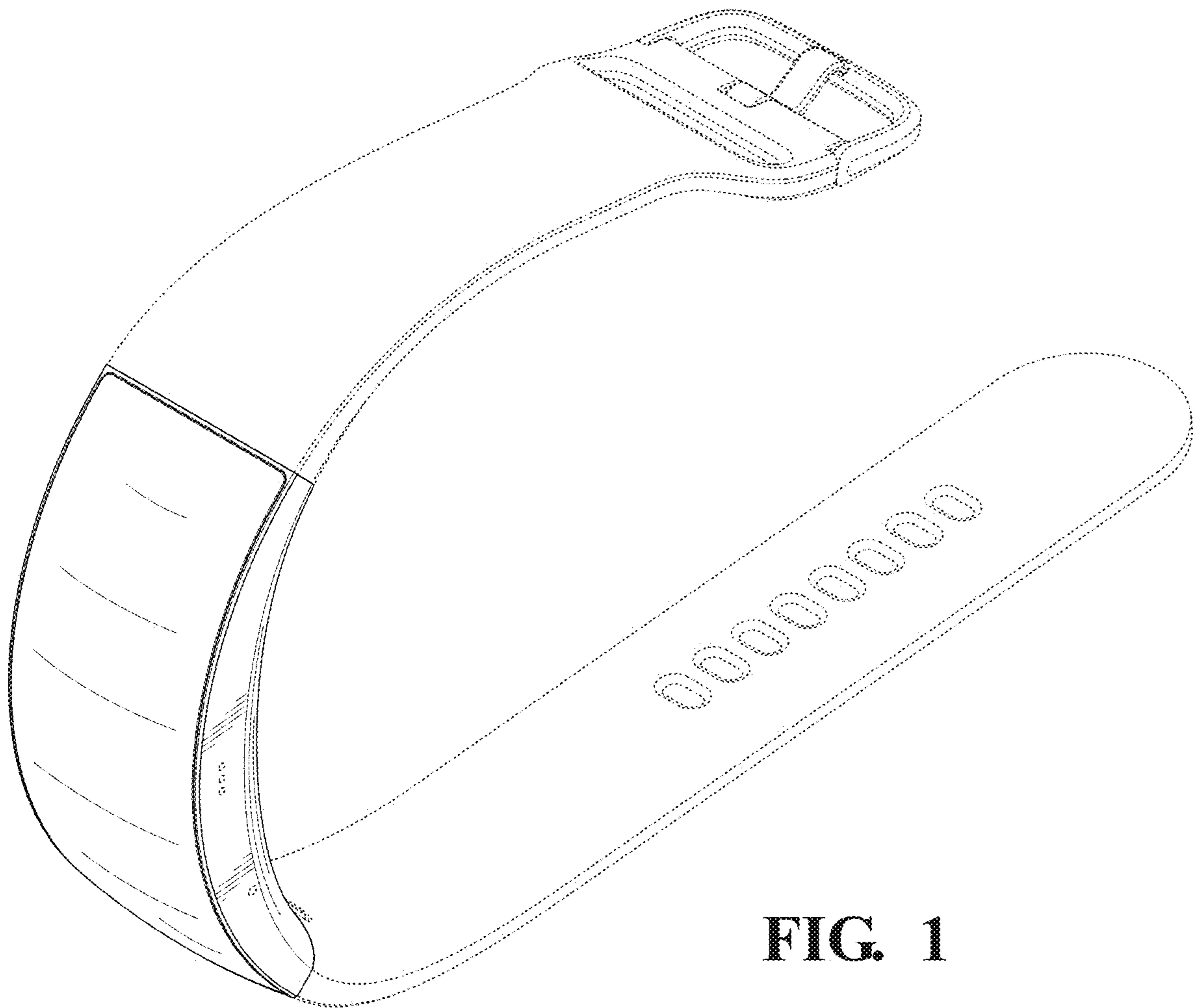
U.S. PATENT DOCUMENTS

D787,960	S	*	5/2017	Park	.....	D10/70
D809,144	S	*	1/2018	Wu	.....	D24/167
D812,608	S	*	3/2018	Jones	.....	D14/344
D820,124	S	*	6/2018	Mouradian	.....	D10/70
D833,625	S	*	11/2018	Guan	.....	D24/186
D840,042	S	*	2/2019	Yan	.....	D24/186
D840,043	S	*	2/2019	Li	.....	D24/186
D860,818	S	*	9/2019	Viry	.....	D10/32
D860,989	S	*	9/2019	Choplin	.....	D14/344
D881,876	S	*	4/2020	Xiao	.....	D14/344
D886,100	S	*	6/2020	Choplin	.....	D14/344
D891,424	S	*	7/2020	Wu	.....	D14/344
D893,473	S	*	8/2020	Bihan	.....	D14/344

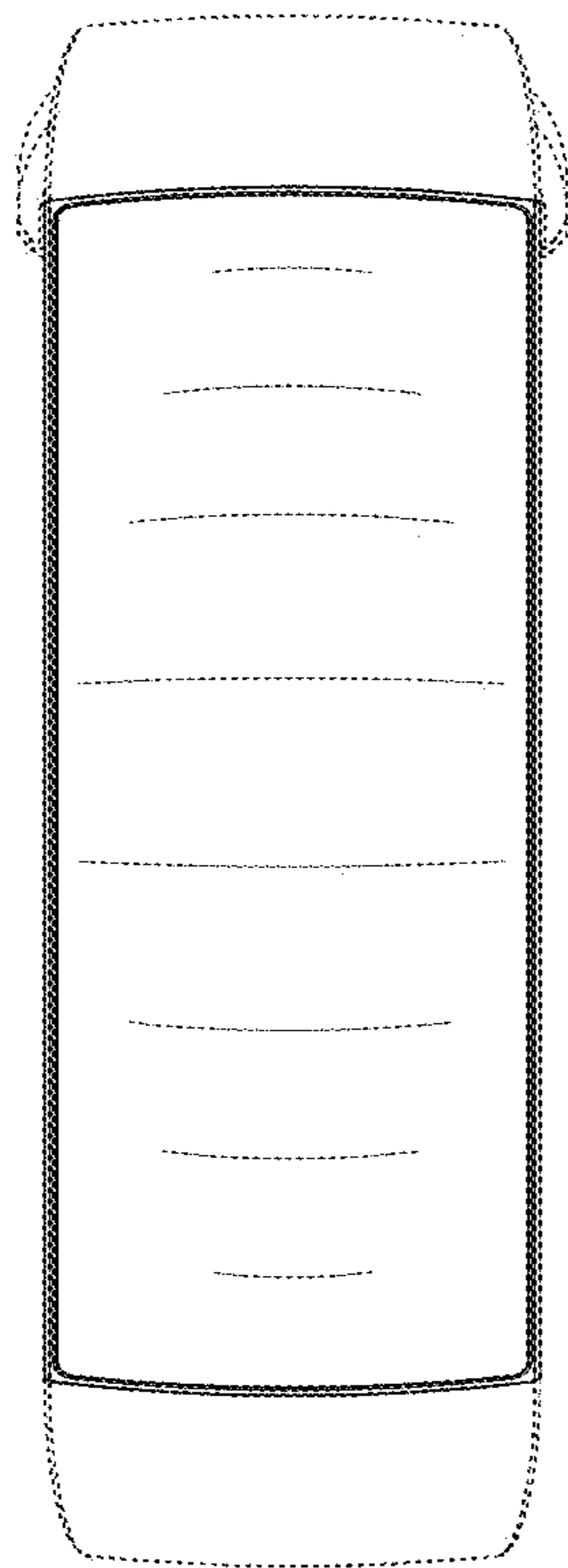
OTHER PUBLICATIONS

Amazefit X, fi, amazfit.com, [online], [site visited Feb. 5, 2021],  
Available from internet URL: <https://www.amazfit.com/en/amazfit-x.html> (Year: 2021).\*

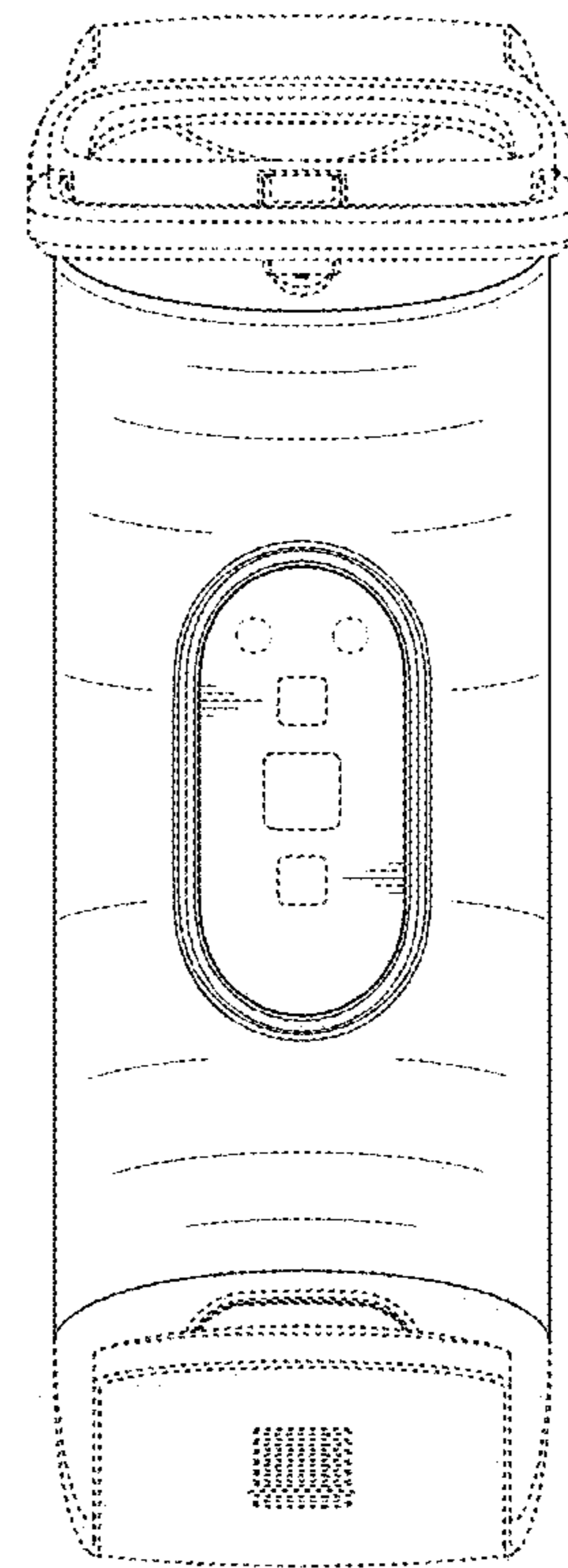
\* cited by examiner



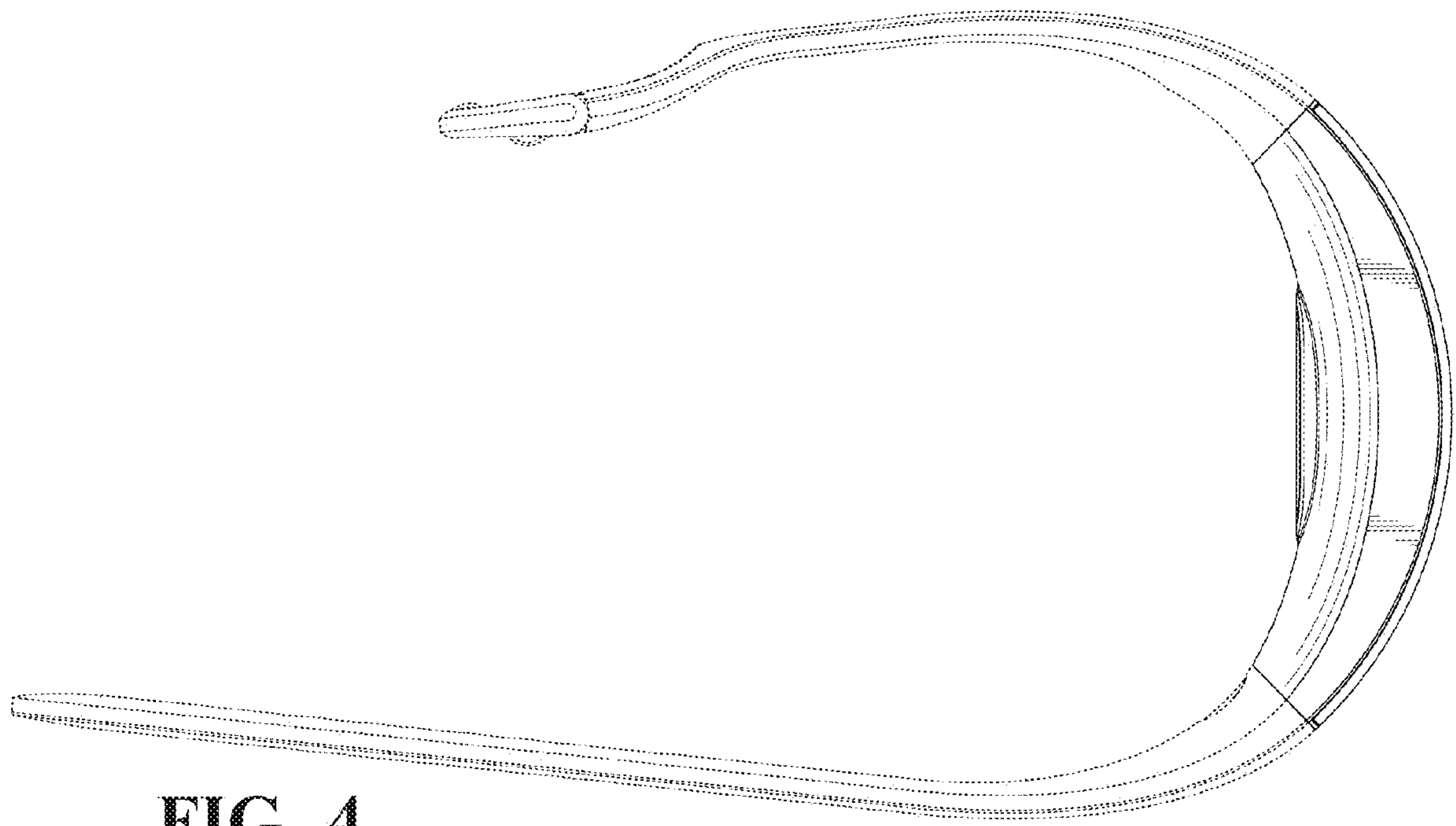
**FIG. 1**



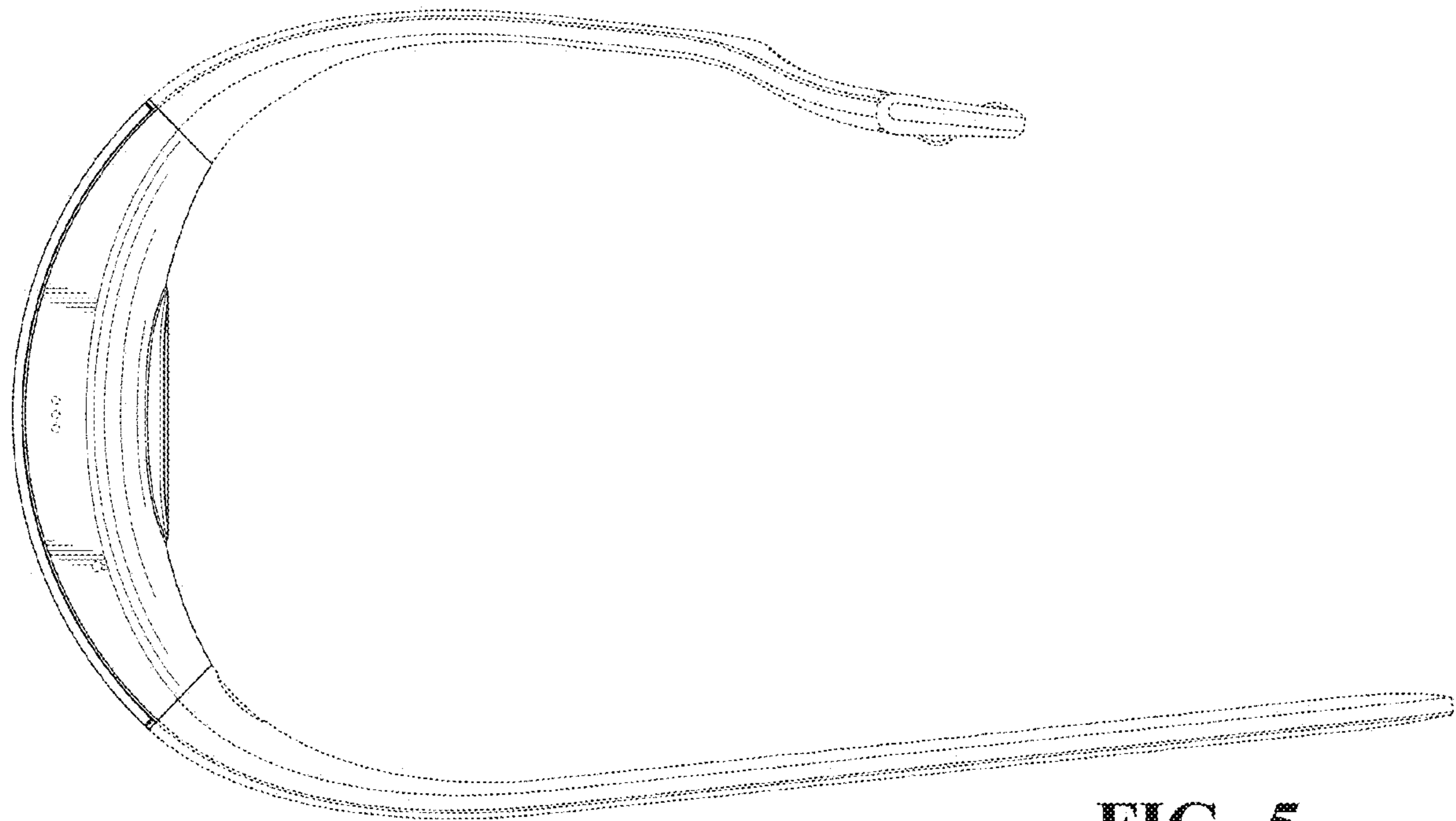
**FIG. 2**



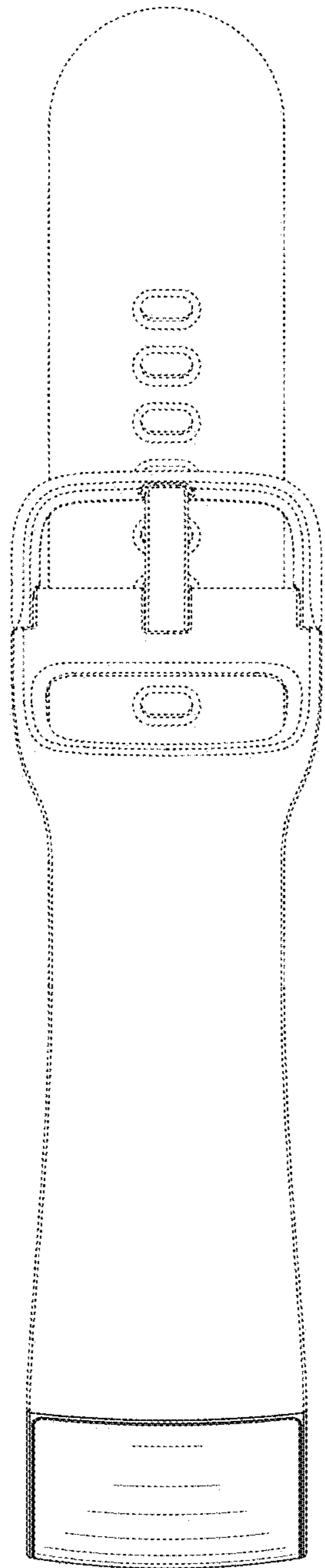
**FIG. 3**



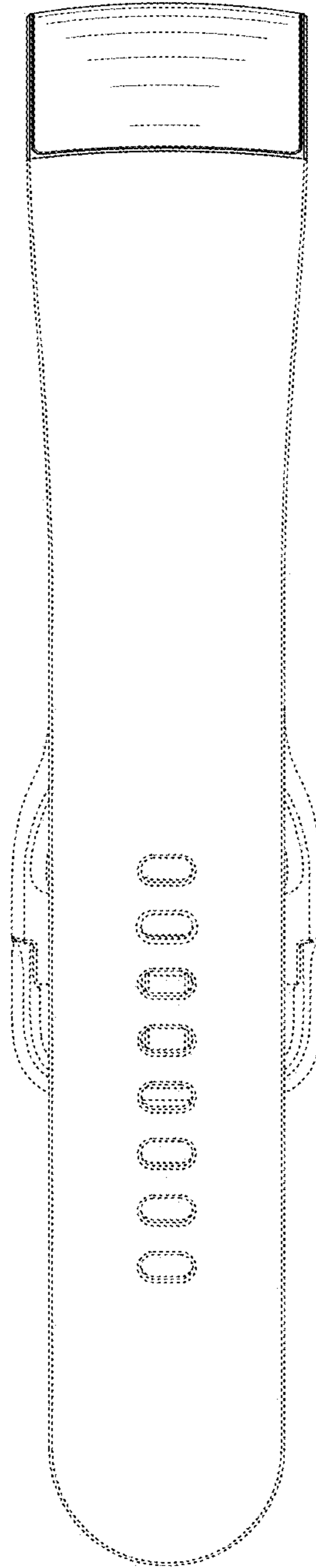
**FIG. 4**



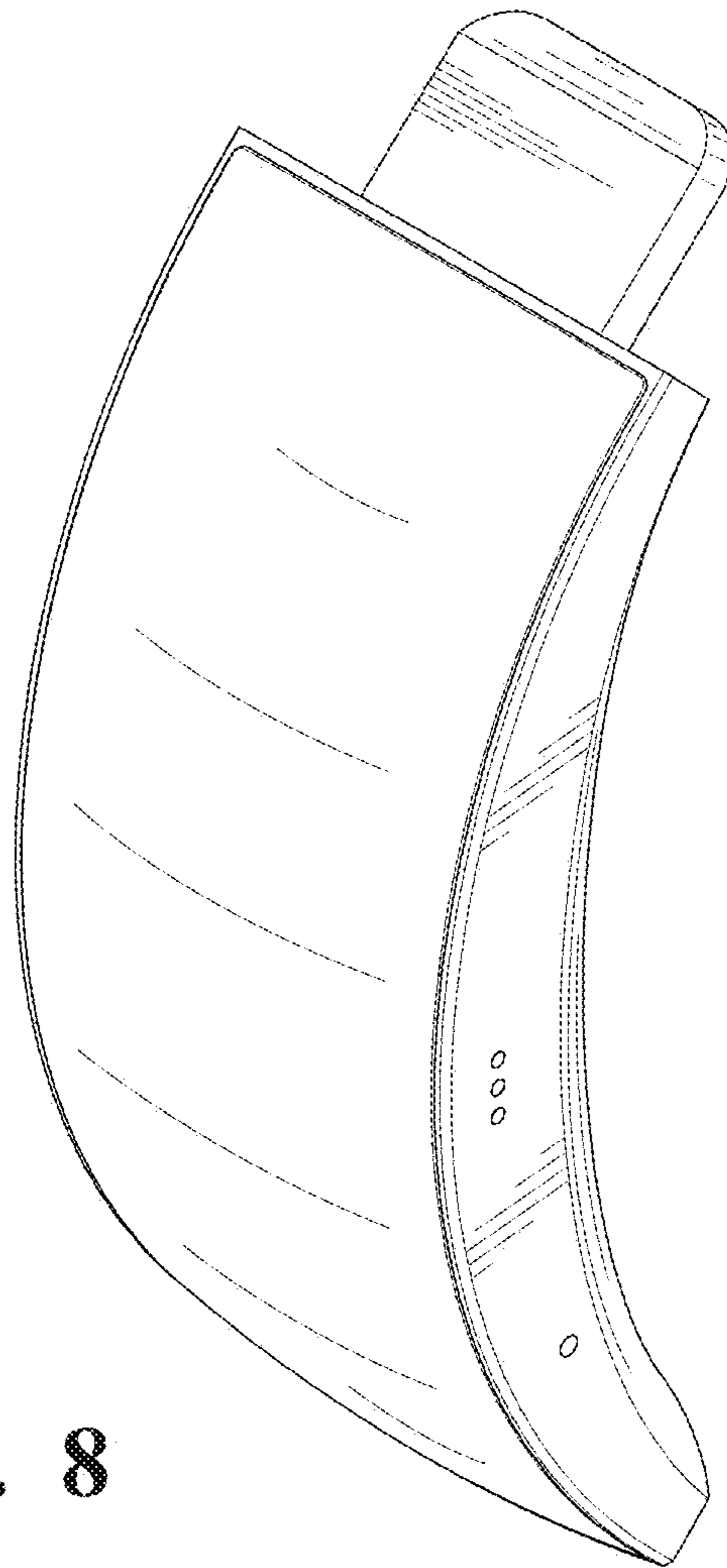
**FIG. 5**



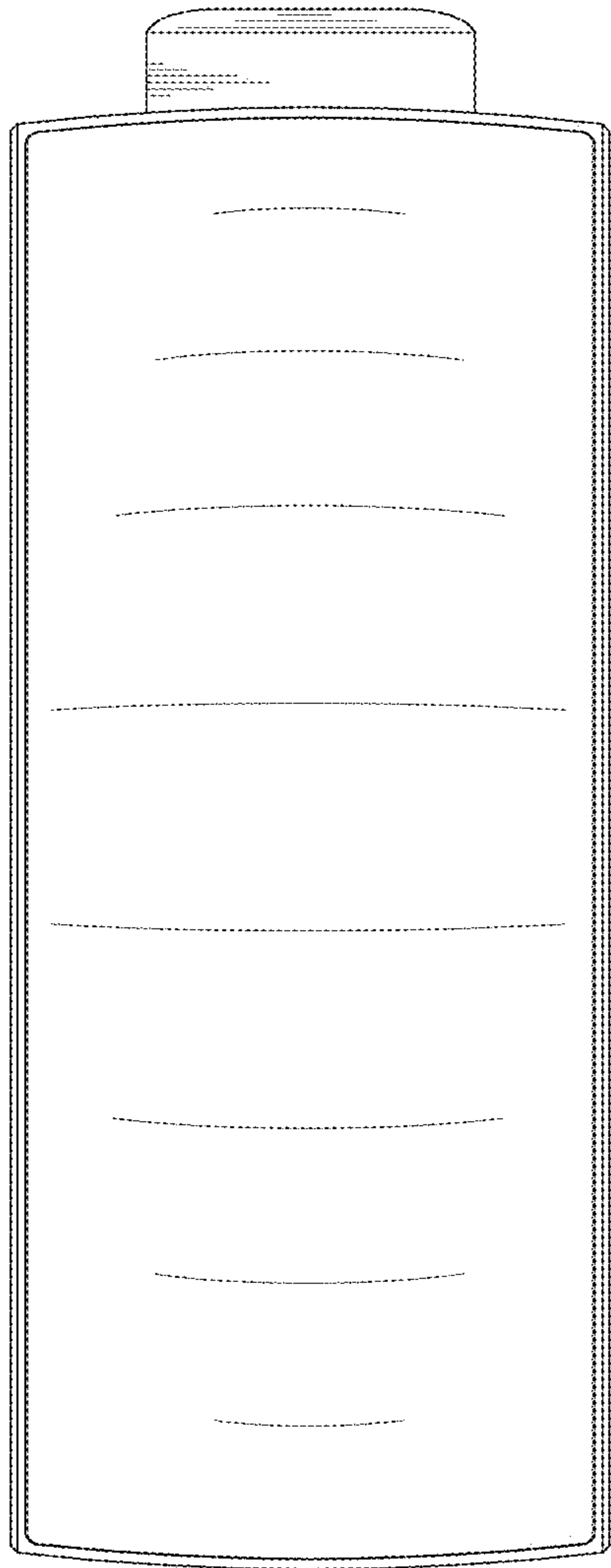
**FIG. 6**



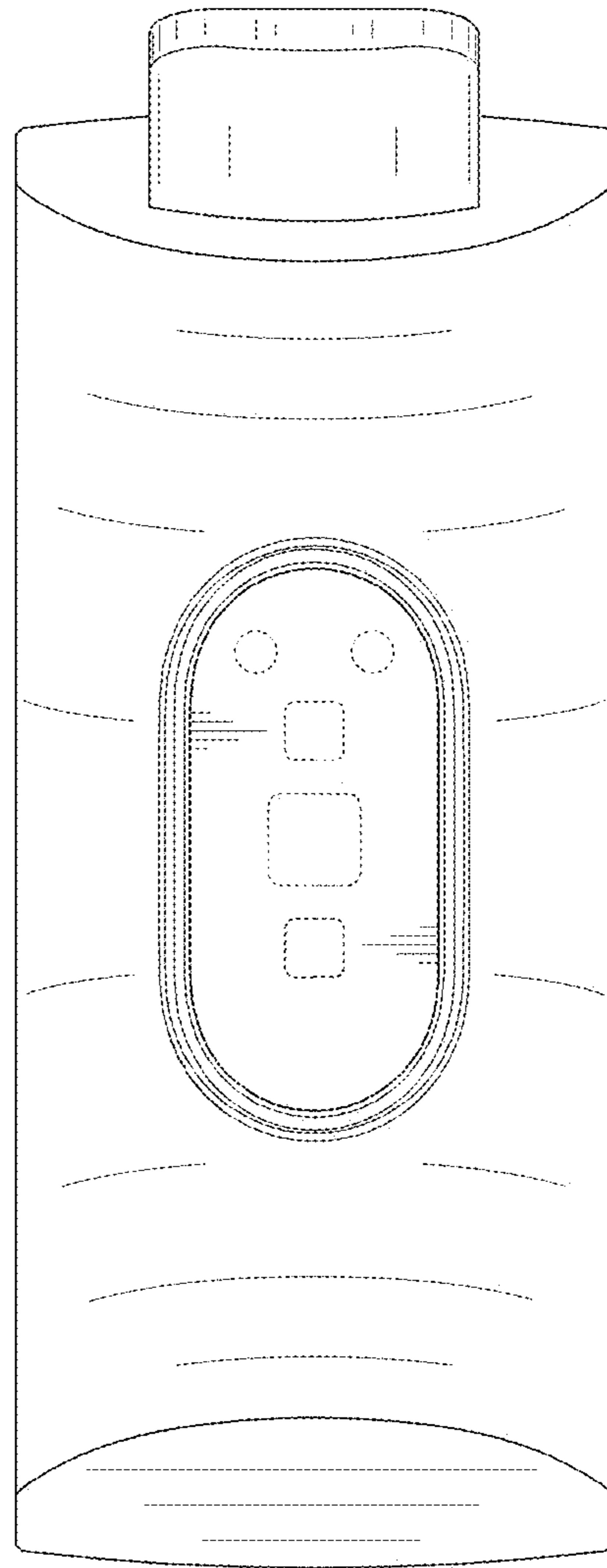
**FIG. 7**



**FIG. 8**



**FIG. 9**



**FIG. 10**



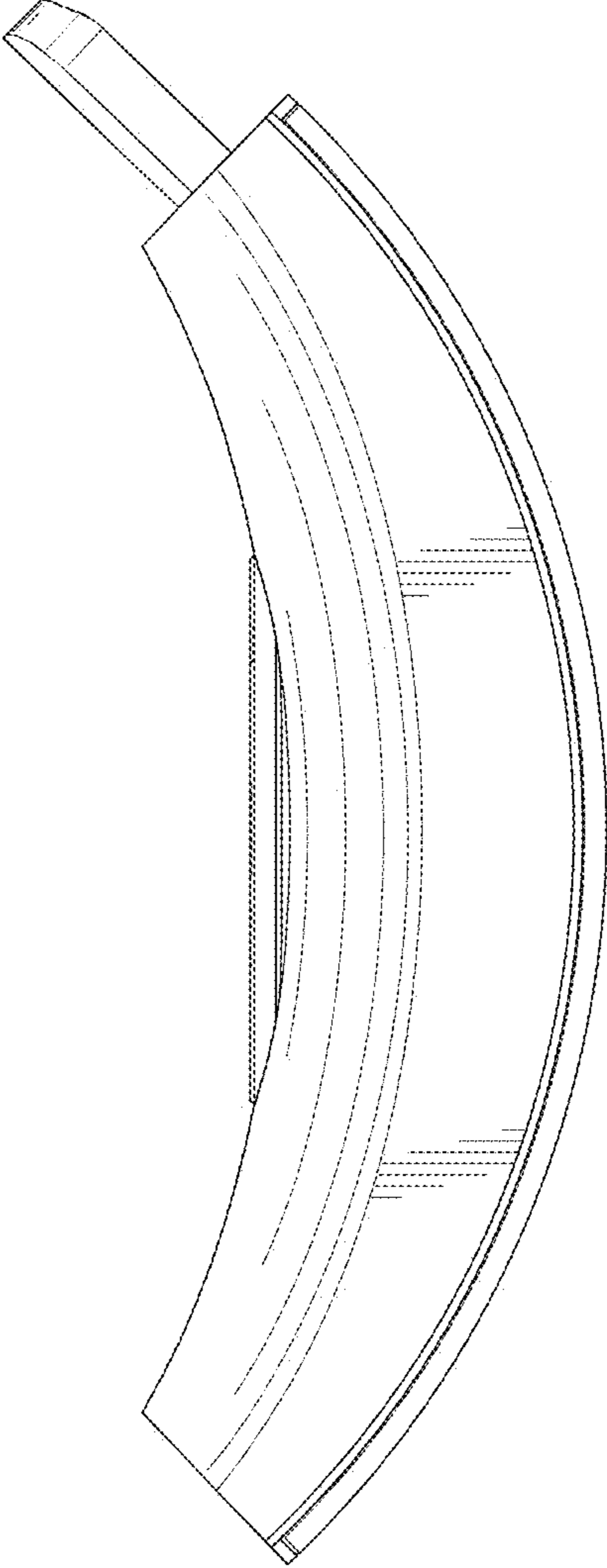


FIG. 11

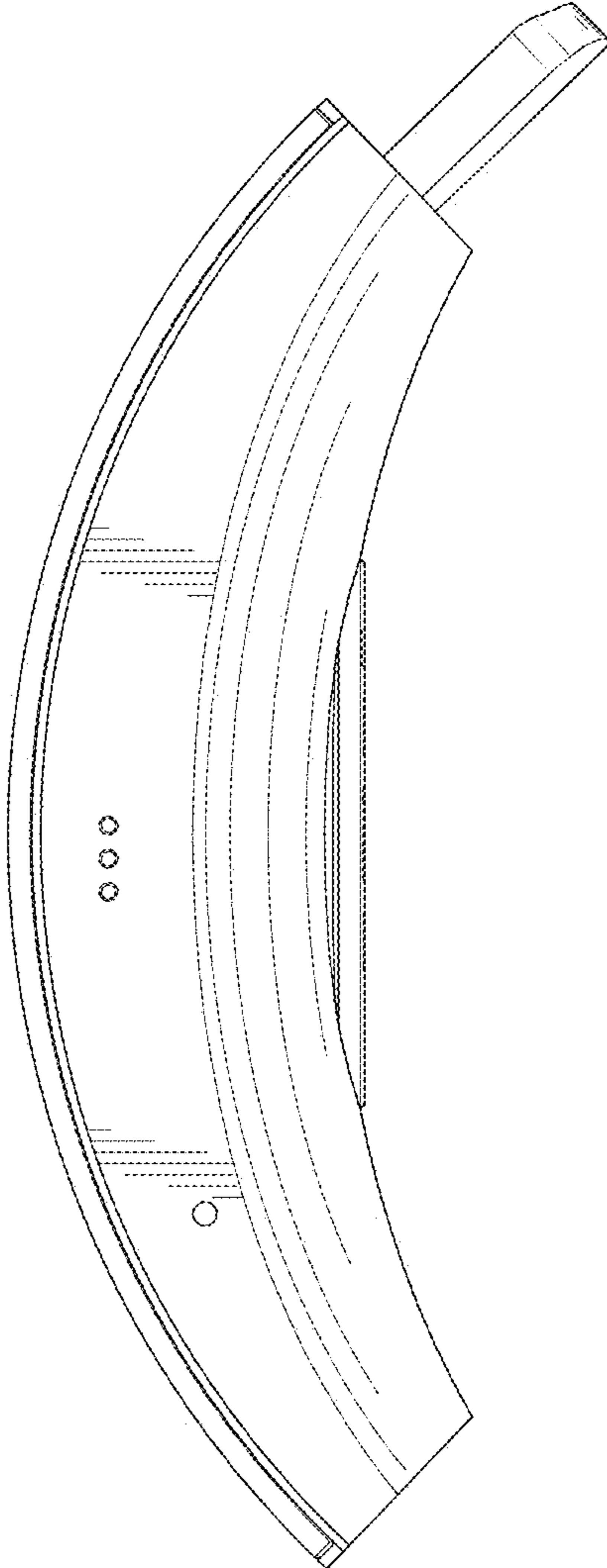
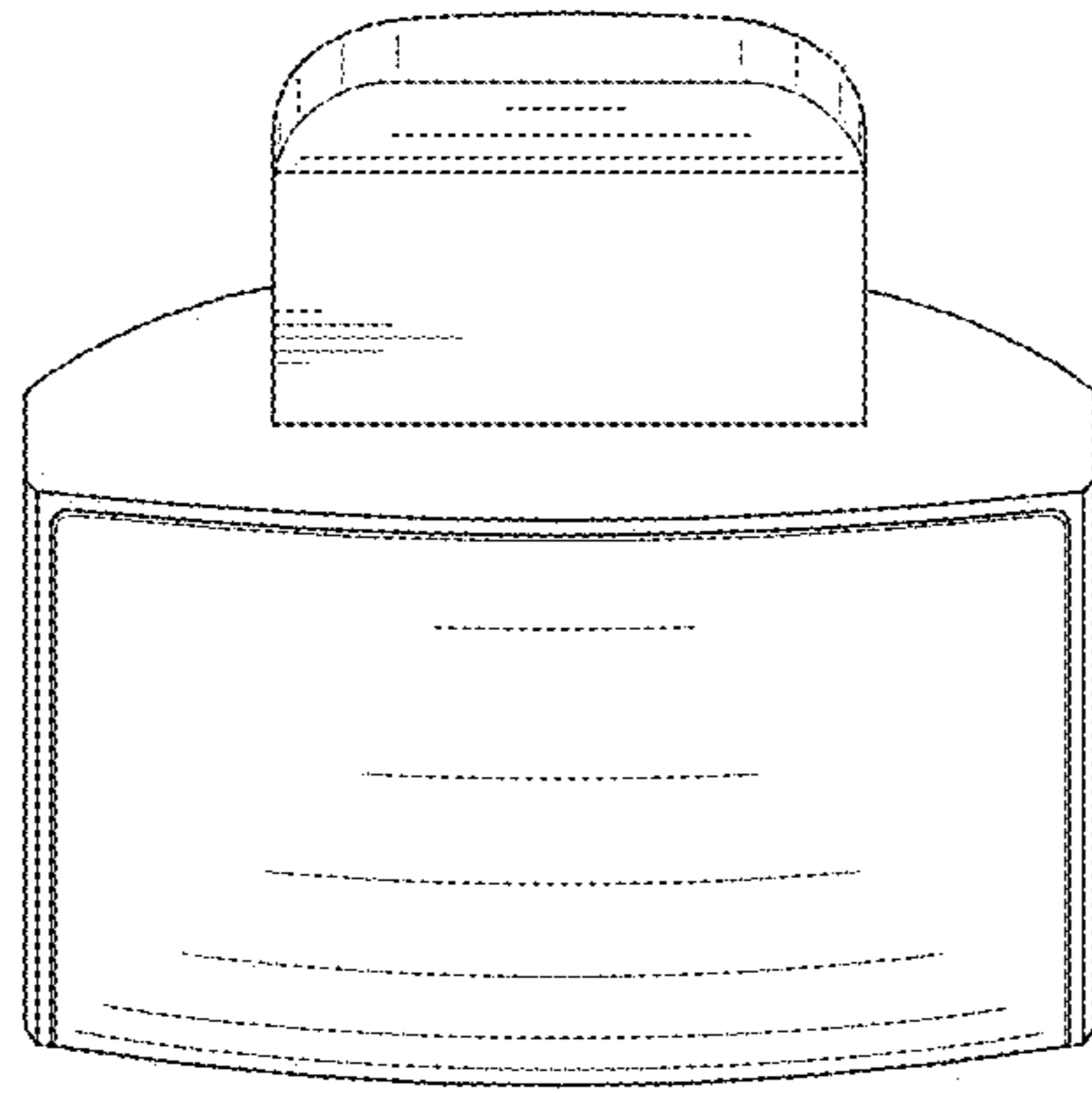
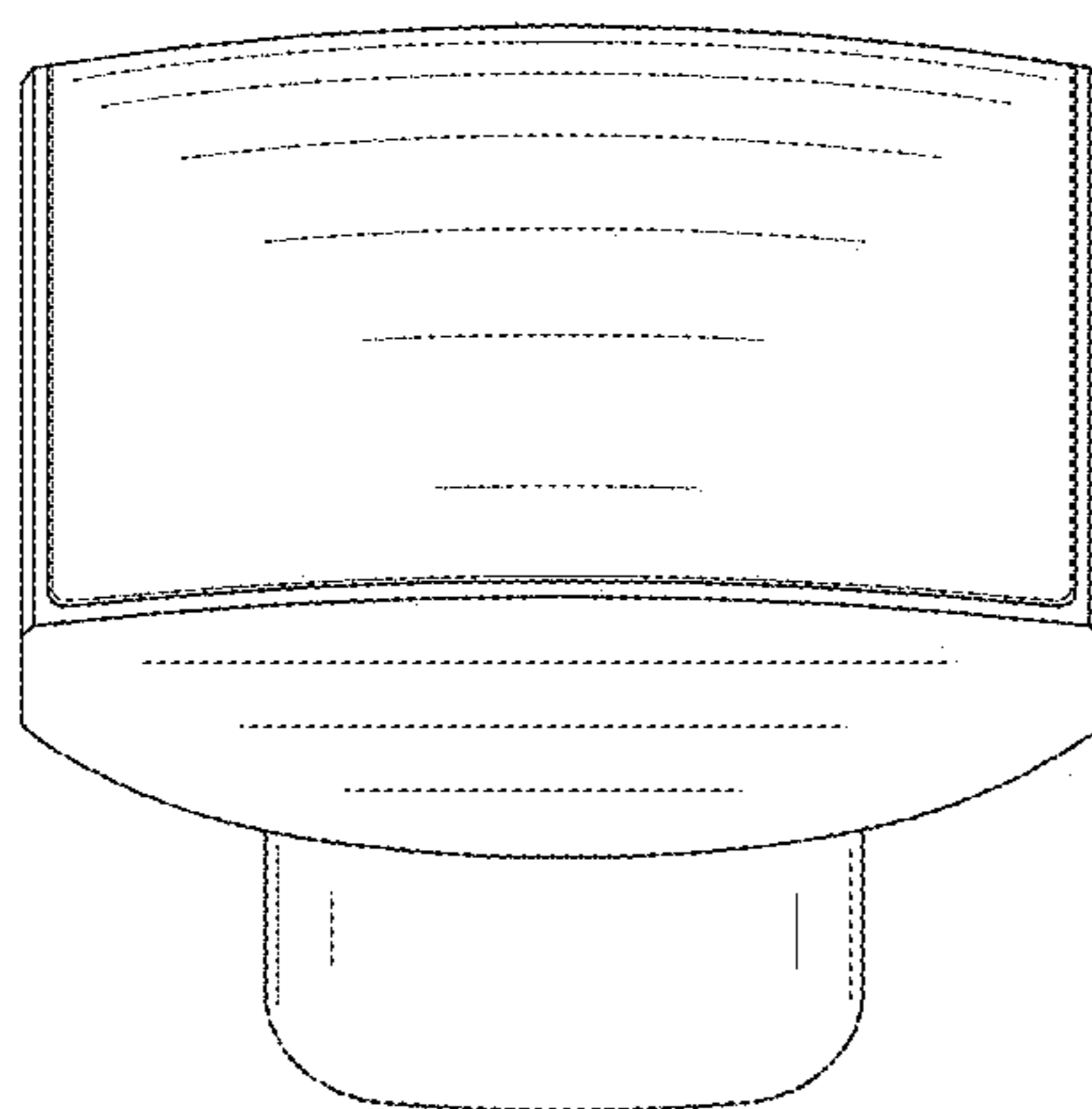


FIG. 12



**FIG. 13**



**FIG. 14**