



US00D933646S

(12) **United States Design Patent** (10) **Patent No.:** **US D933,646 S**  
**Liao** (45) **Date of Patent:** **\*\* Oct. 19, 2021**

(54) **MOBILE PHONE STAND**  
(71) Applicant: **DONGGUAN CHUANG LONG ELECTRONICS LIMITED,**  
Dongguan (CN)  
(72) Inventor: **Anzhang Liao,** Dongguan (CN)  
(73) Assignee: **DONGGUAN CHUANG LONG ELECTRONICS LIMITED,**  
Dongguan (CN)

D861,670 S \* 10/2019 Li ..... D14/253  
D877,066 S \* 3/2020 Zhang ..... D13/108  
D881,200 S \* 4/2020 Leeds-Frank ..... D14/447  
D887,417 S \* 6/2020 Yarbough ..... D14/447  
D892,787 S \* 8/2020 Chen ..... D14/253  
D895,601 S \* 9/2020 Liao ..... D14/253  
D896,177 S \* 9/2020 Zheng ..... D13/108  
D900,087 S \* 10/2020 Leeds-Frank ..... D14/253  
D908,689 S \* 1/2021 Chen ..... D14/253

(\*\*) Term: **15 Years**

**FOREIGN PATENT DOCUMENTS**

EM 007788732-0001 \* 4/2020

(21) Appl. No.: **29/730,462**  
(22) Filed: **Apr. 3, 2020**  
(51) **LOC (13) Cl.** ..... **14-99**  
(52) **U.S. Cl.**  
USPC ..... **D14/253; D12/415**  
(58) **Field of Classification Search**  
USPC .... D14/251–253, 224, 224.1, 432–434, 447,  
D14/451, 452; D12/415, 426.1, 114, 223;  
D16/242, 244, 245; D10/74; D3/218;  
D13/108  
CPC ..... B60R 11/00; B60R 11/02; B60R 11/0241;  
B60R 11/0252; B60R 2011/0003; B60R  
2011/0005; B60R 2011/0008; H04M  
1/04; H04B 1/3877; A45F 2200/0516;  
A45F 2200/0525; H05K 5/02; H05K  
5/0204; H05K 7/00; F16M 13/02; F16M  
13/022; F16M 11/00; F16M 11/04; F16M  
11/041; F16M 11/06  
See application file for complete search history.

**OTHER PUBLICATIONS**

Amazon hot selling Dashboard Cellphone Holder . . . [online].  
Original publication date unknown. [Retrieved from the Internet  
May 17, 2021.] <URL: [https://www.alibaba.com/product-detail/  
Amazon-hot-selling-Dashboard-Cellphone-Holder\\_1600149520442.  
html](https://www.alibaba.com/product-detail/Amazon-hot-selling-Dashboard-Cellphone-Holder_1600149520442.html)>.\*

\* cited by examiner

*Primary Examiner* — Rebekah A Caruso

(57) **CLAIM**

The ornamental design for a mobile phone stand, as shown  
and described.

**DESCRIPTION**

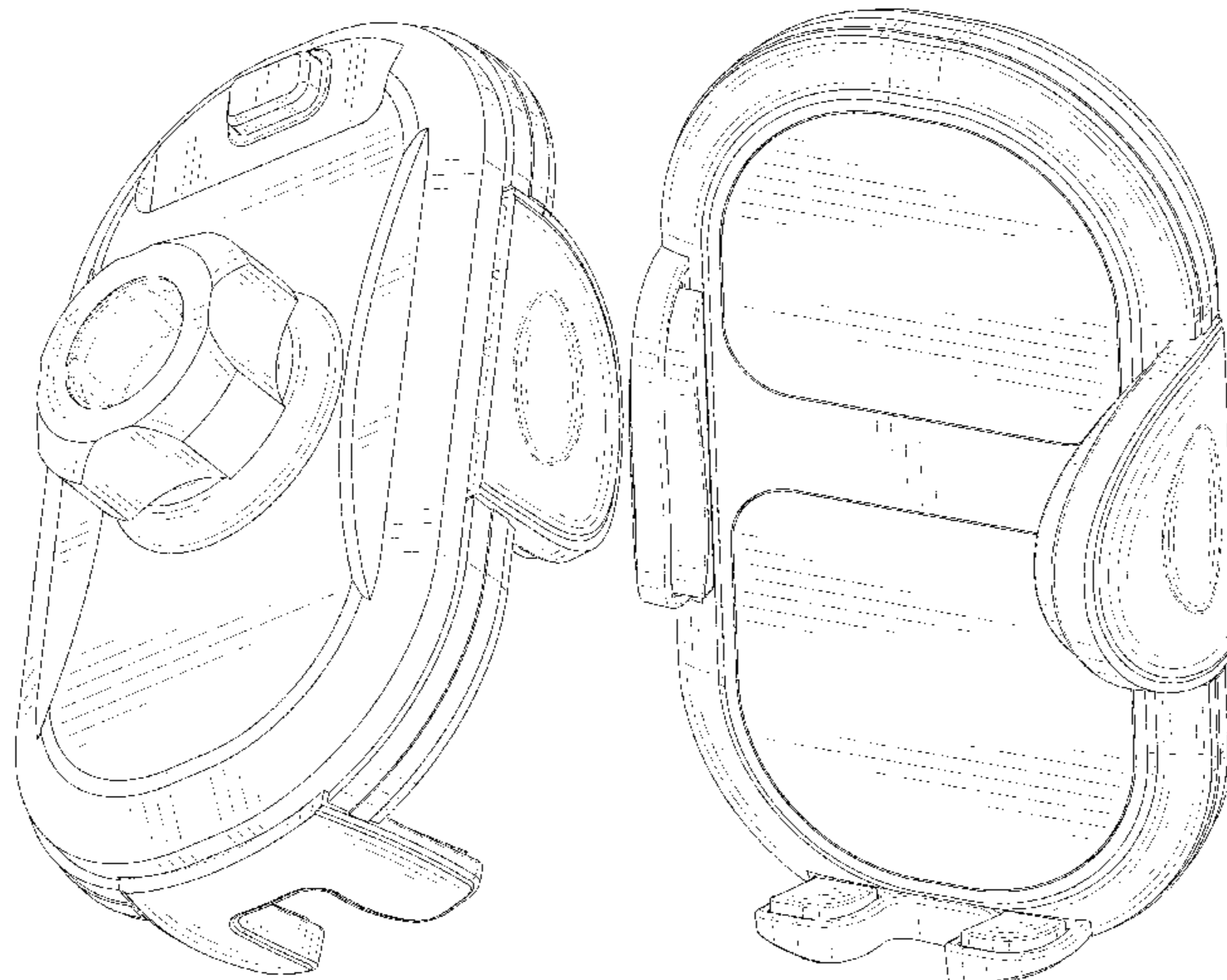
FIG. 1 is a perspective view of a mobile phone stand  
showing my new design;  
FIG. 2 is another perspective view thereof;  
FIG. 3 is a front elevational view thereof;  
FIG. 4 is a rear elevational view thereof;  
FIG. 5 is a left side elevational view thereof;  
FIG. 6 is a right side elevational view thereof;  
FIG. 7 is a top plan view thereof; and,  
FIG. 8 is a bottom plan view thereof.  
The broken lines in the drawings depict portions of the  
mobile phone stand that form no part of the claimed design.

**1 Claim, 8 Drawing Sheets**

(56) **References Cited**

**U.S. PATENT DOCUMENTS**

D529,905 S \* 10/2006 Richter ..... D14/253  
D530,713 S \* 10/2006 Richter ..... D14/253  
D685,380 S \* 7/2013 Richter ..... D14/447  
D750,612 S \* 3/2016 Chen ..... D14/253  
D858,509 S \* 9/2019 Yao ..... D14/253  
D859,393 S \* 9/2019 Dang ..... D14/253



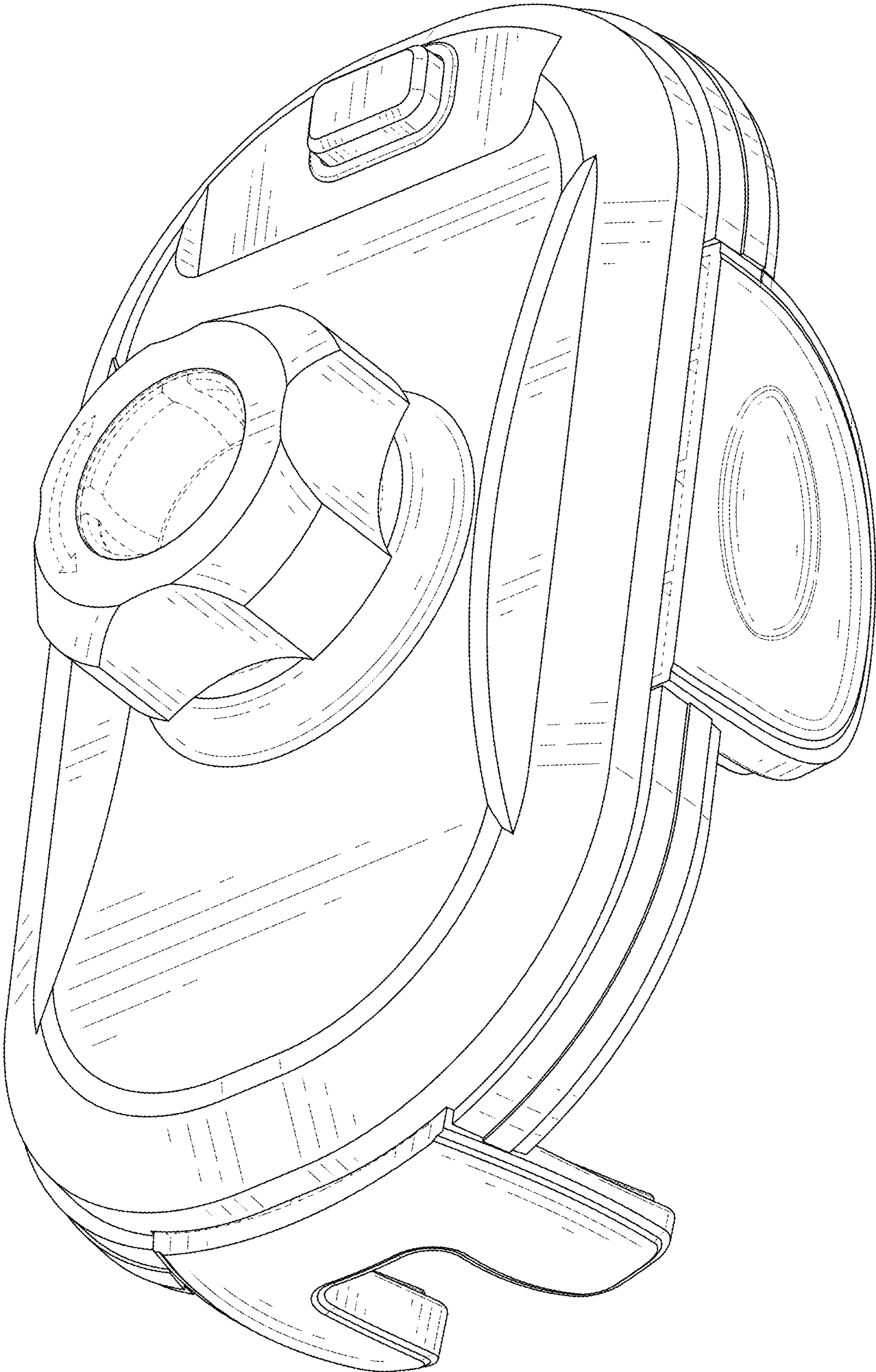


FIG. 1



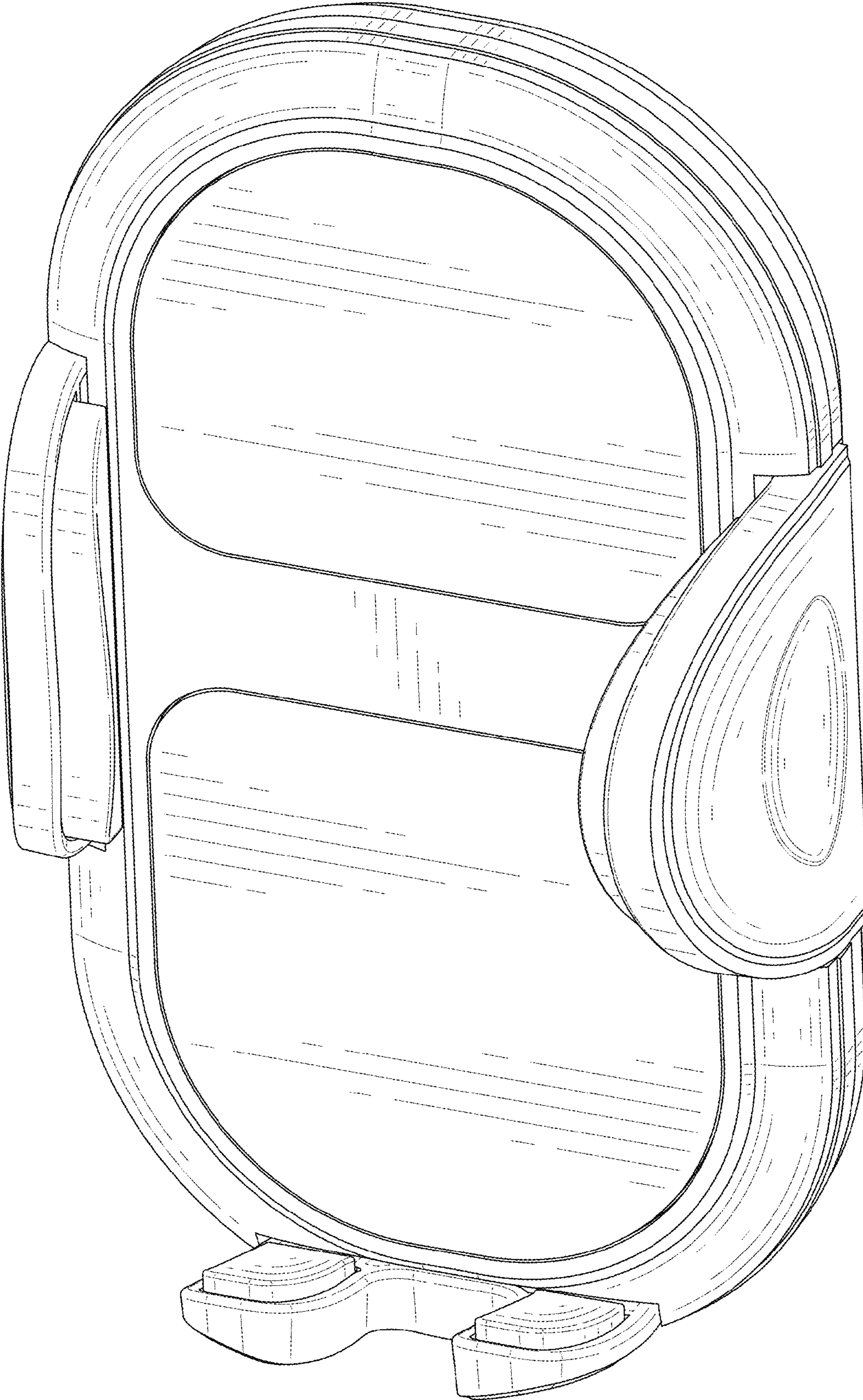


FIG. 2

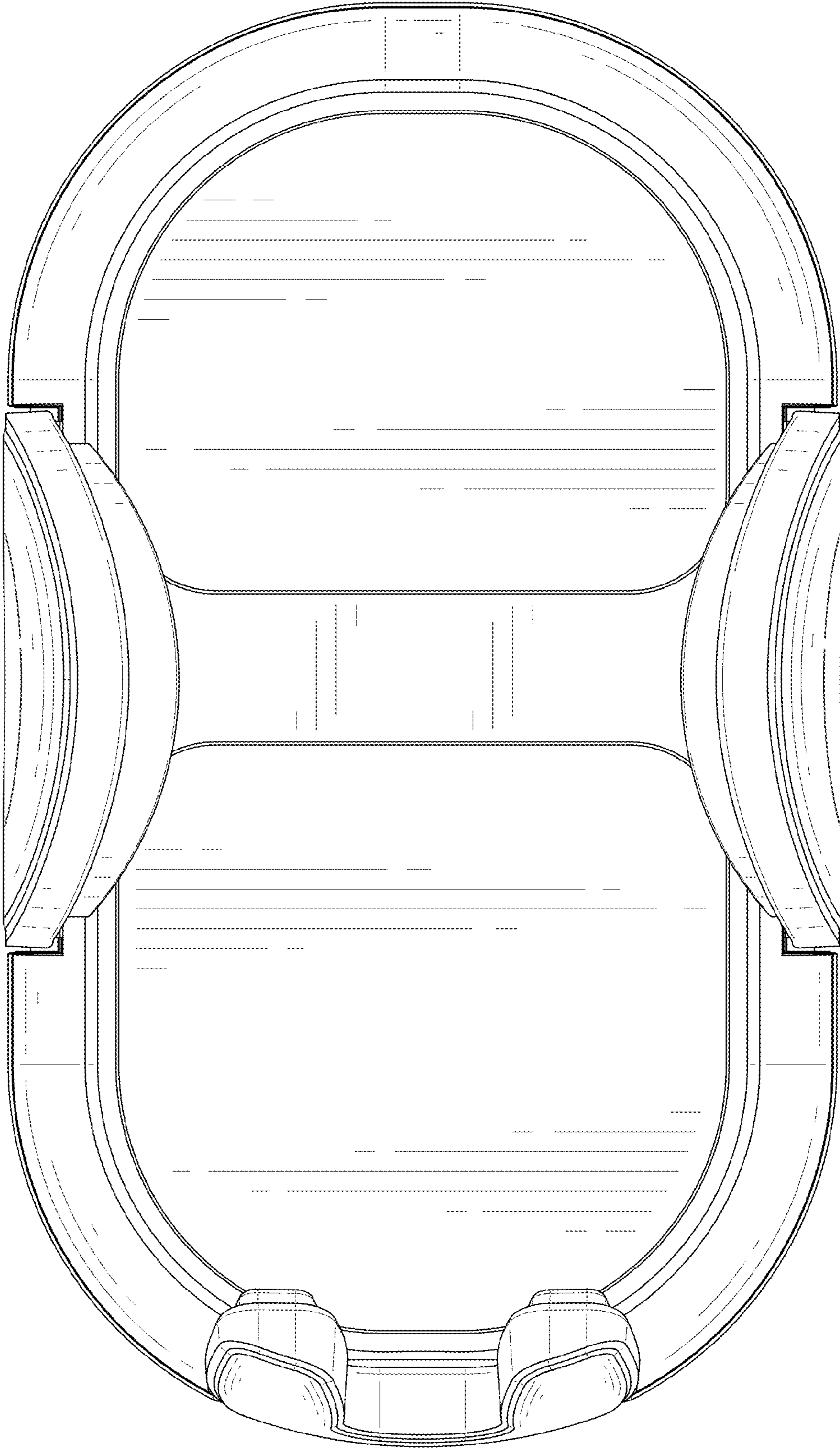


FIG. 3

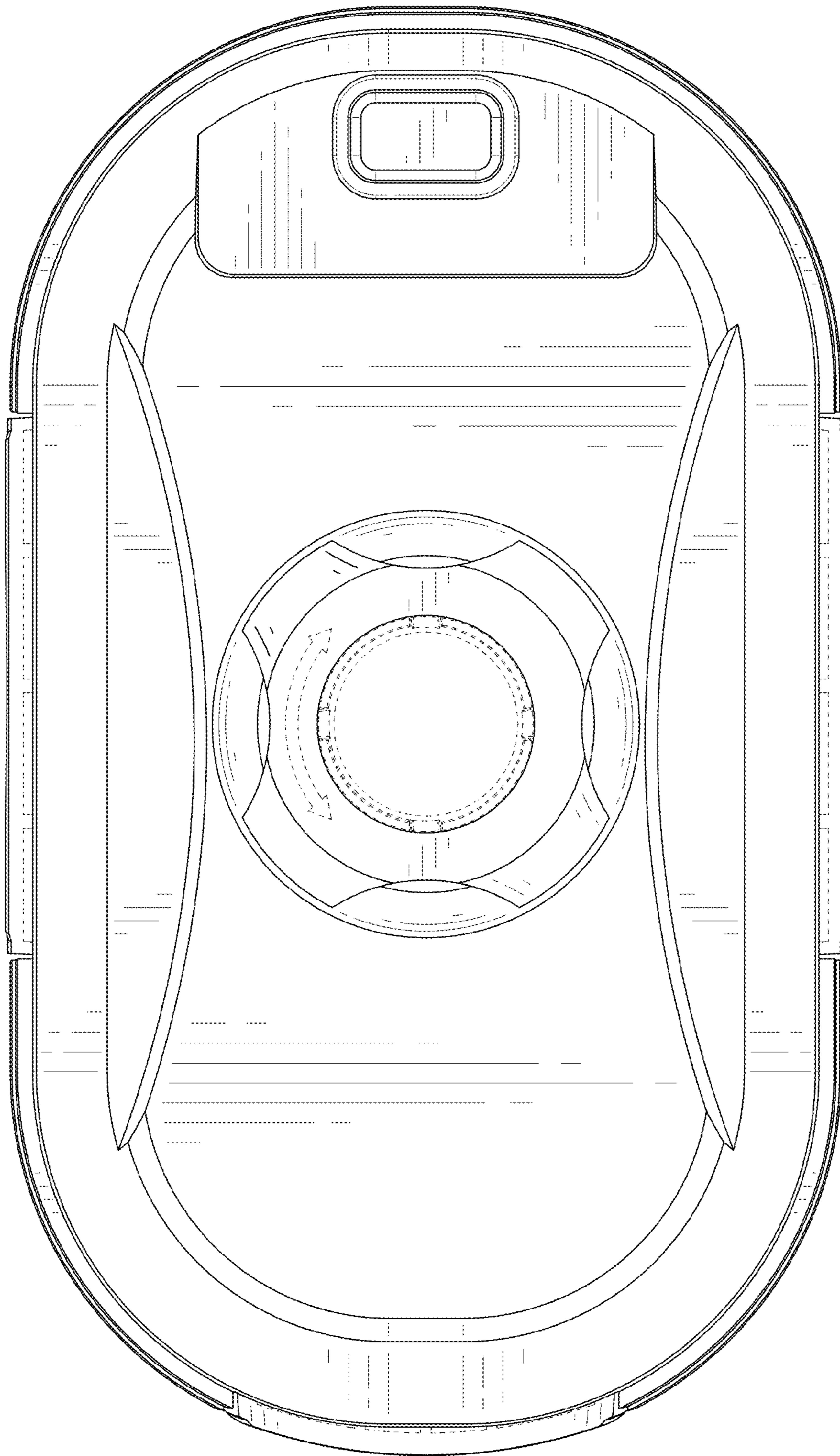


FIG. 4



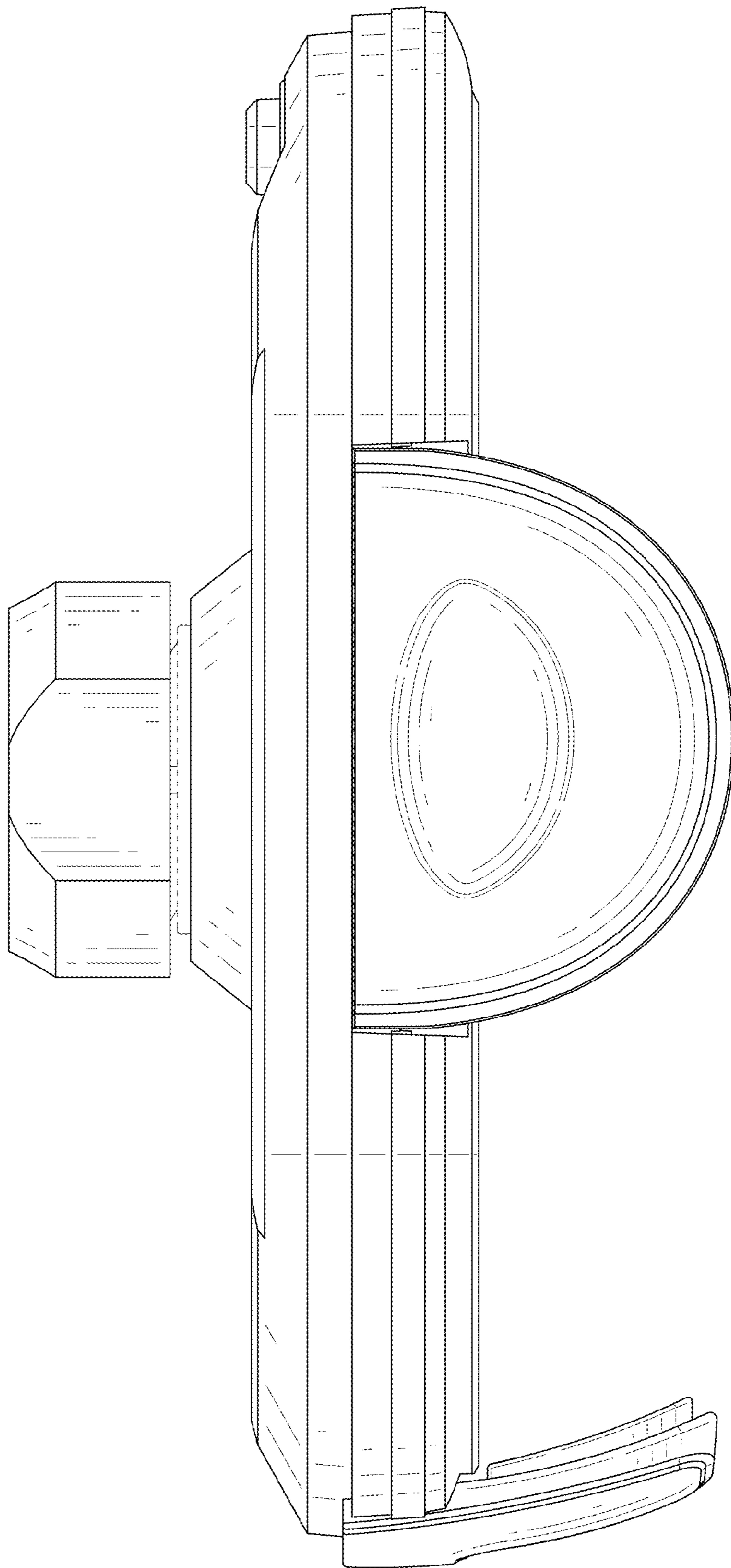


FIG. 5

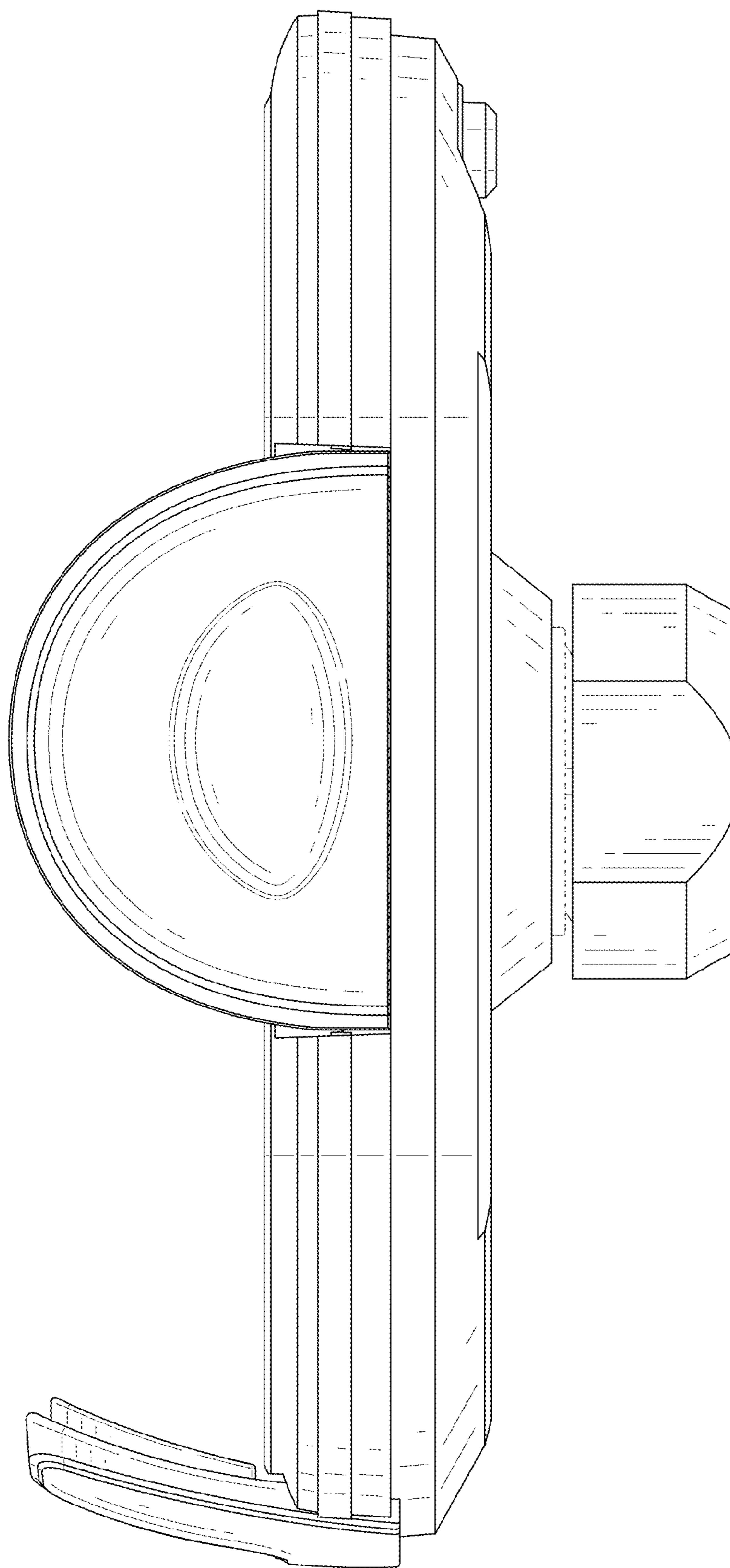


FIG. 6

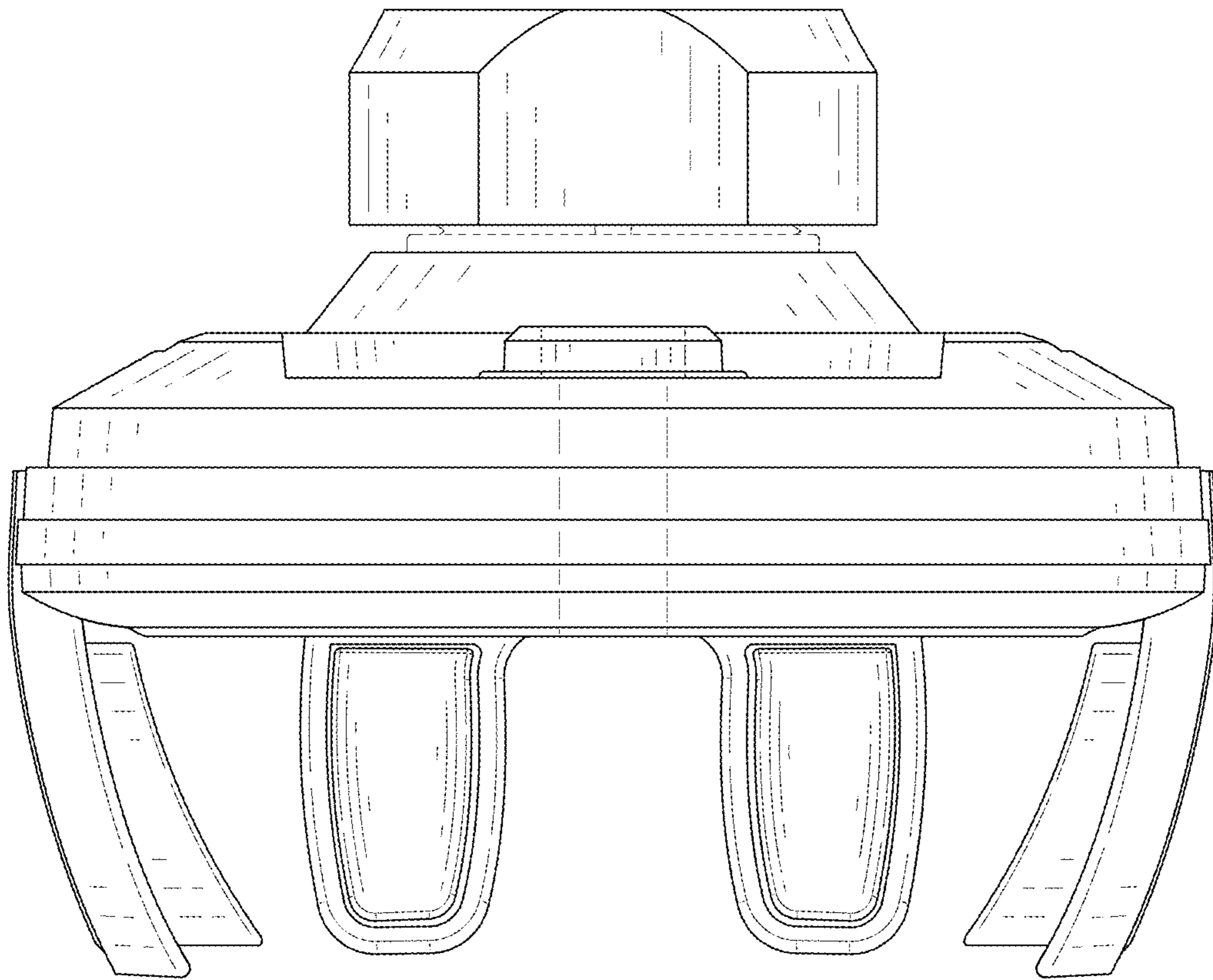


FIG. 7



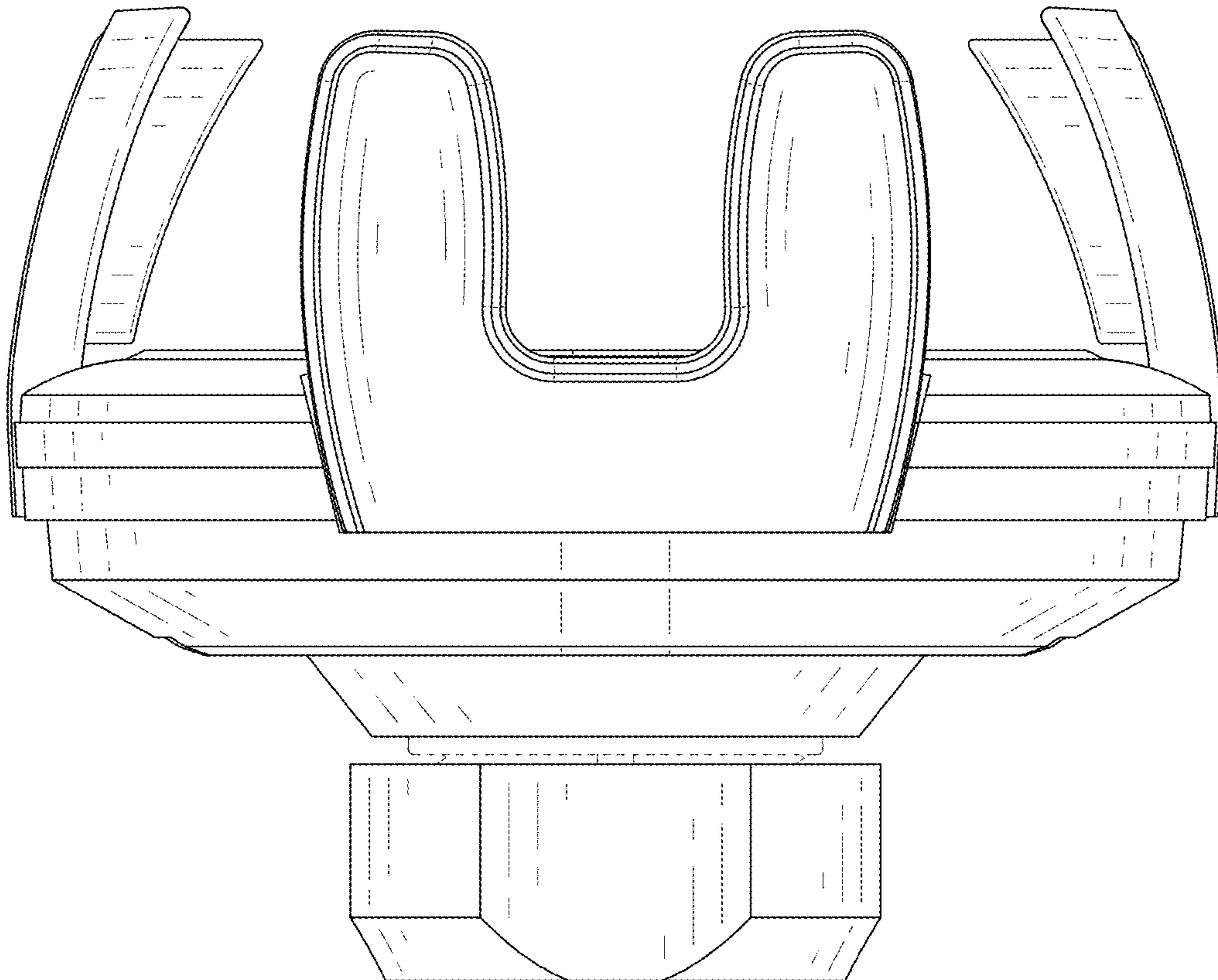


FIG. 8