



US00D933645S

(12) **United States Design Patent** (10) **Patent No.:** **US D933,645 S**  
**Tsang** (45) **Date of Patent:** **\*\* Oct. 19, 2021**

- (54) **PHONE CASE**
- (71) Applicant: **JTPC DISTRIBUTION, Inc.**, South El Monte, CA (US)
- (72) Inventor: **Jackie Tsang**, South El Monte, CA (US)
- (73) Assignee: **JTPC DISTRIBUTION, INC.**, South El Monte, CA (US)
- (\*\*) Term: **15 Years**
- (21) Appl. No.: **29/732,592**
- (22) Filed: **Apr. 25, 2020**
- (51) **LOC (13) Cl.** ..... **14-03**
- (52) **U.S. Cl.**  
USPC ..... **D14/250**
- (58) **Field of Classification Search**  
USPC ..... D14/203.3–203.7, 439, 251–253, 447, D14/217, 240, 238.1, 250, 440, 248; D13/107–108, 103, 119; D3/201, 218, D3/247, 249, 269, 273, 301, 303  
CPC . H04B 1/3888; A45C 13/02; A45C 2011/002; A45C 1/06; A45C 11/00; A45F 2005/026; A45F 2200/0525; A45F 2200/0516; H04M 1/0283; H04M 1/0202  
See application file for complete search history.

- (56) **References Cited**  
U.S. PATENT DOCUMENTS  
D615,078 S \* 5/2010 Bradley ..... D14/250  
D631,246 S \* 1/2011 Boettner ..... D3/218  
D651,791 S \* 1/2012 Cataldo ..... D3/218  
D688,654 S \* 8/2013 Stevinson ..... D14/250  
D688,655 S \* 8/2013 Rey-Hipolito ..... D14/250  
D703,647 S \* 4/2014 Kim ..... D14/250  
D708,620 S \* 7/2014 Holmes ..... D14/440

- D717,780 S \* 11/2014 Tussy ..... D14/250
- D719,143 S \* 12/2014 Vidovic ..... D14/250
- D719,949 S \* 12/2014 Tussy ..... D14/250
- D721,376 S \* 1/2015 Lee ..... D14/440
- D738,872 S \* 9/2015 Erickson-Davis ..... D14/250
- 9,277,804 B1 3/2016 Gennodie
- 9,427,071 B2 8/2016 Rayner
- D793,077 S \* 8/2017 Zhang ..... D3/218
- D793,726 S \* 8/2017 Zhang ..... D3/249
- D806,083 S \* 12/2017 Armstrong ..... D14/440
- D830,367 S \* 10/2018 Chang ..... D14/440
- D860,645 S \* 9/2019 Wu ..... D3/247
- D871,759 S \* 1/2020 Ma ..... D3/249
- D872,091 S \* 1/2020 Lu ..... D14/440
- 10,554,798 B2 \* 2/2020 Britt ..... H04M 1/18
- 10,561,228 B2 \* 2/2020 Britt ..... G06F 1/1628
- D901,879 S \* 11/2020 Barrons ..... D3/218
- D920,336 S \* 5/2021 Cheng ..... D14/440

\* cited by examiner

*Primary Examiner* — Carla J Wright  
(74) *Attorney, Agent, or Firm* — Lisa Foundation Patent Law Clinic—Arizona State University

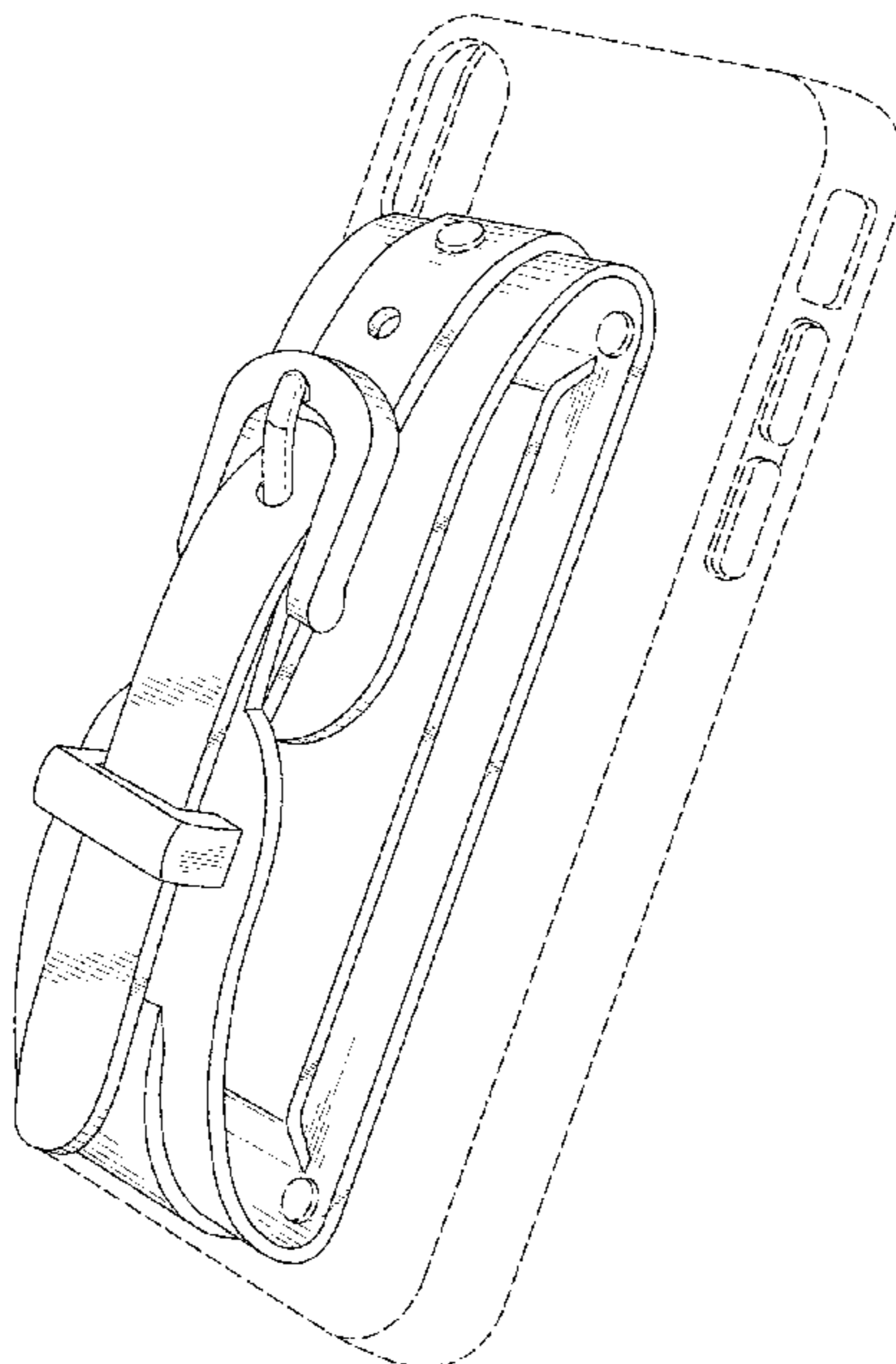
(57) **CLAIM**

The ornamental design for a phone case, as shown and described.

**DESCRIPTION**

FIG. 1 is a back and left-side perspective view of a phone case showing my new design;  
FIG. 2 is a back view of the phone case;  
FIG. 3 is a front view of the phone case;  
FIG. 4 is a top view of the phone case;  
FIG. 5 is a bottom view of the phone case;  
FIG. 6 is a right-side view of the phone case; and,  
FIG. 7 is a left-side view of the phone case.  
The broken lines in the drawing figures depict portions of the phone case that form no part of the claimed design.

**1 Claim, 5 Drawing Sheets**



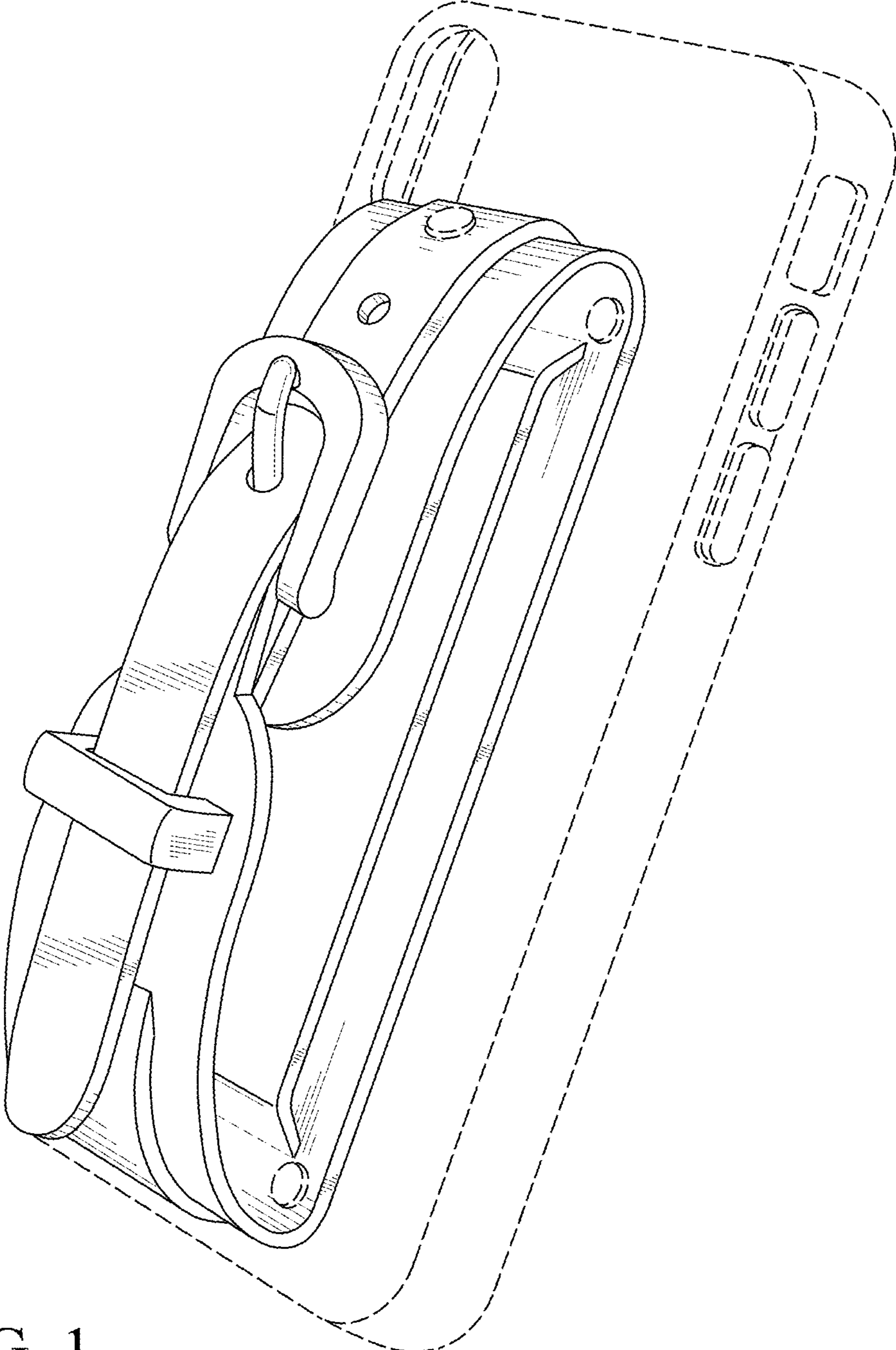


FIG. 1

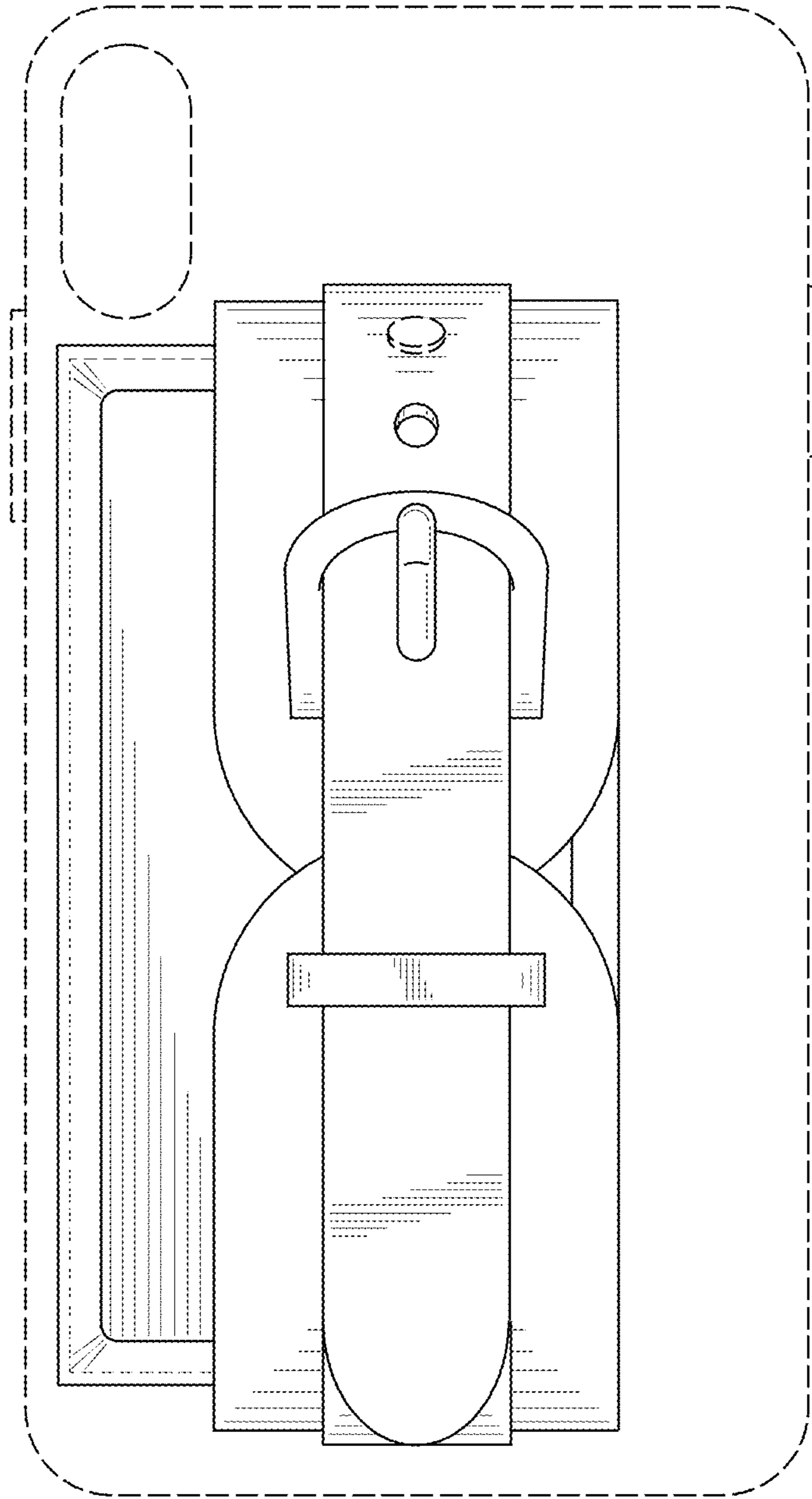


FIG. 2

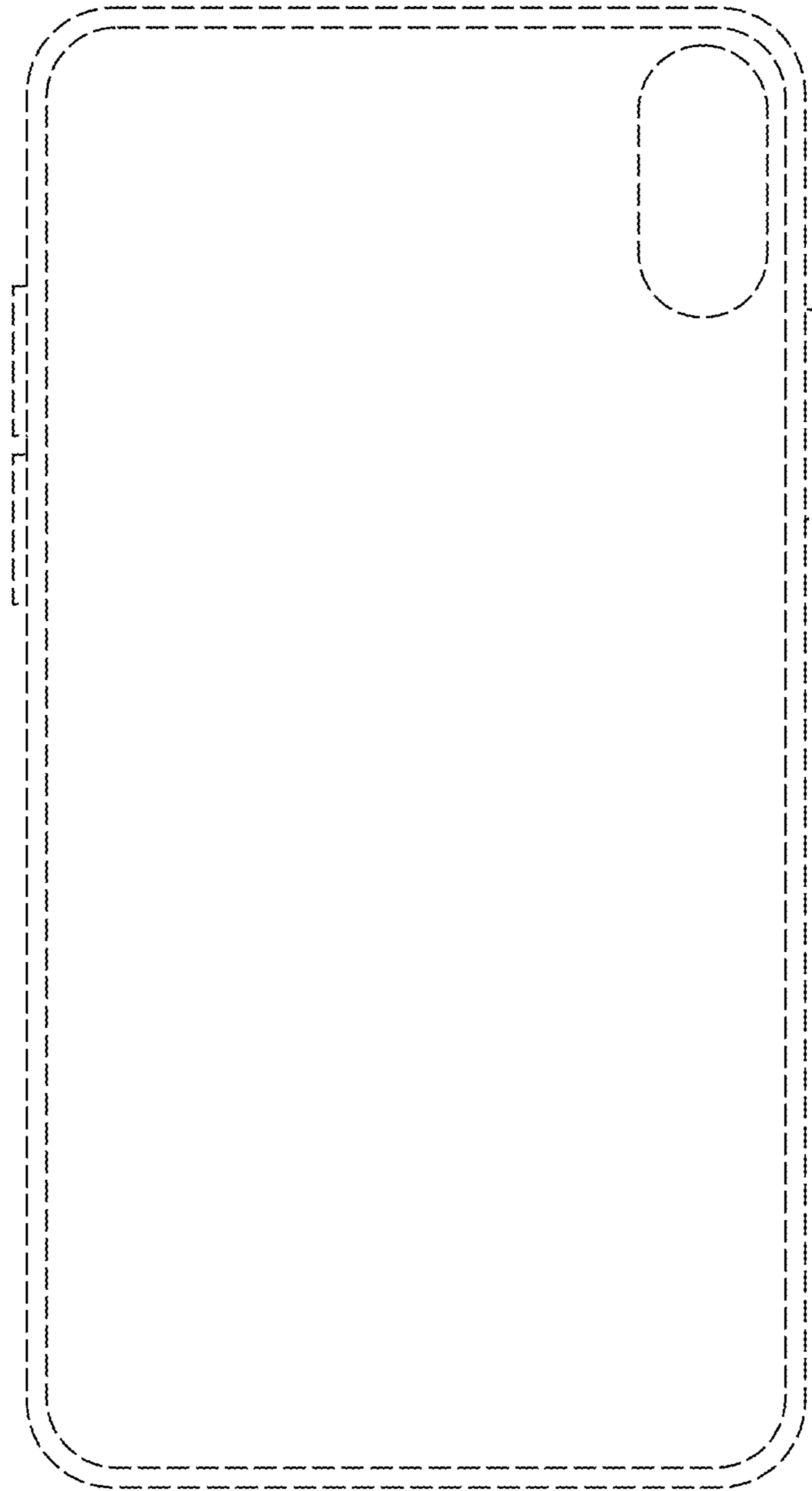


FIG. 3

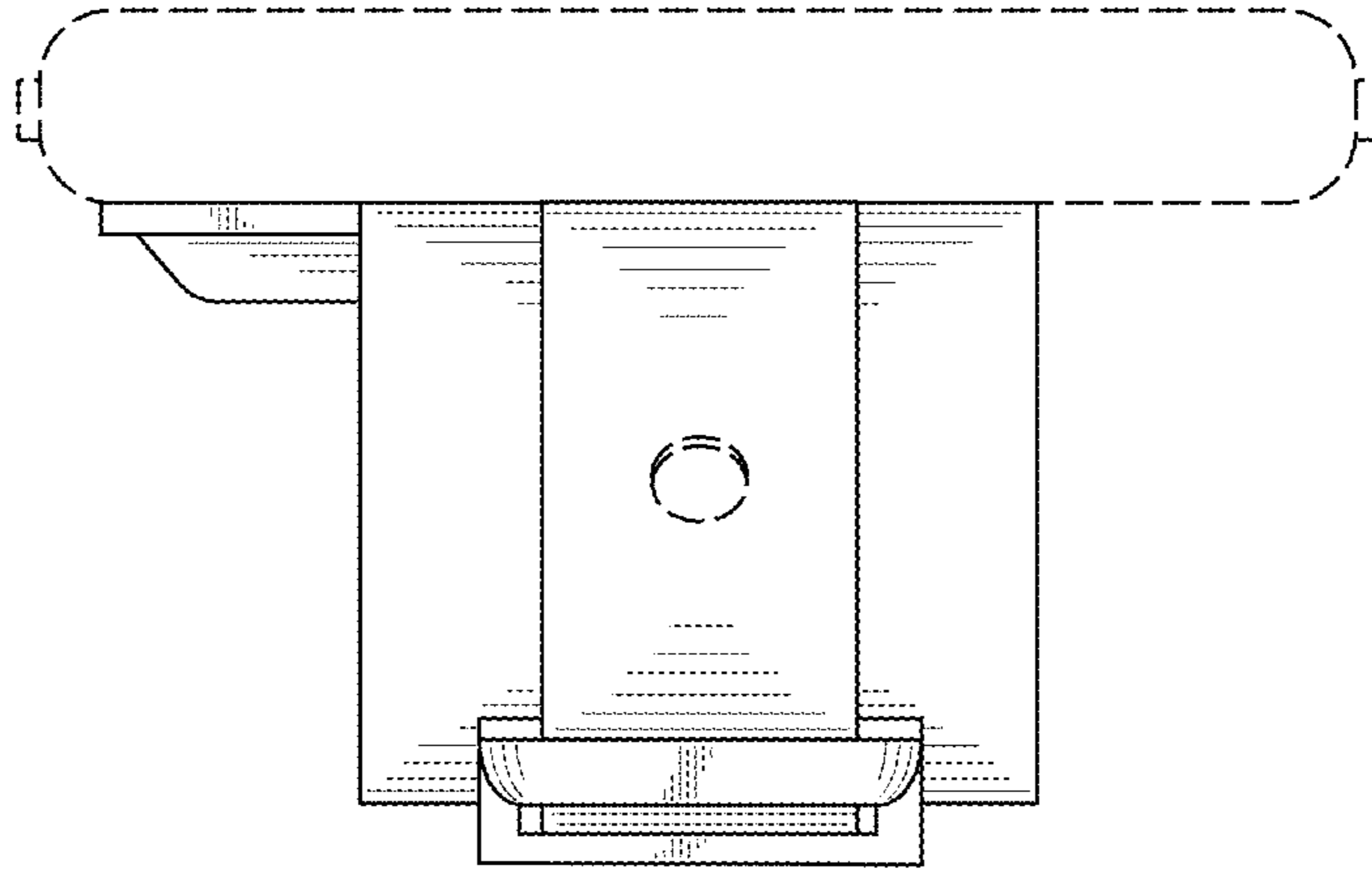


FIG. 4

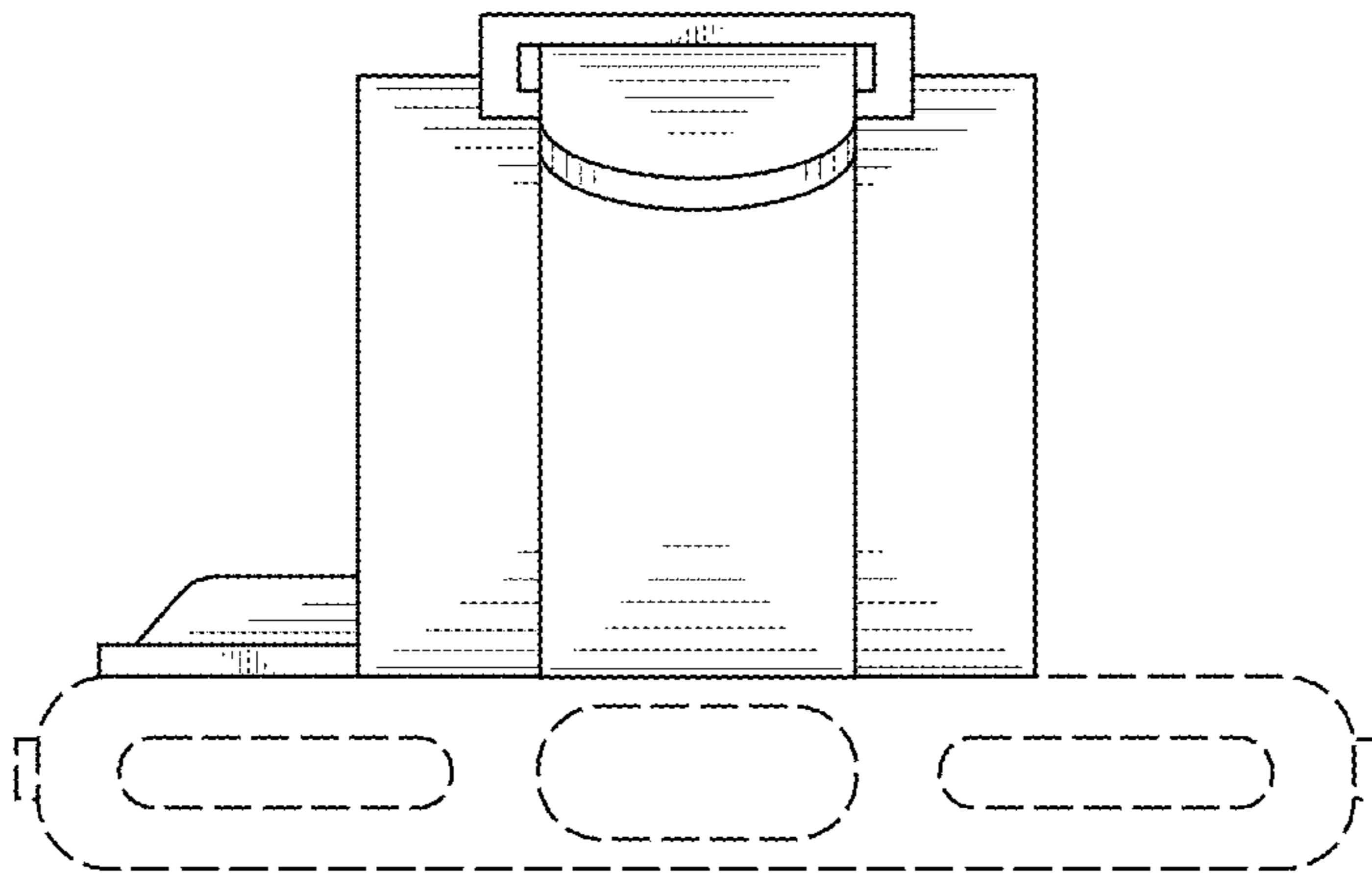


FIG. 5

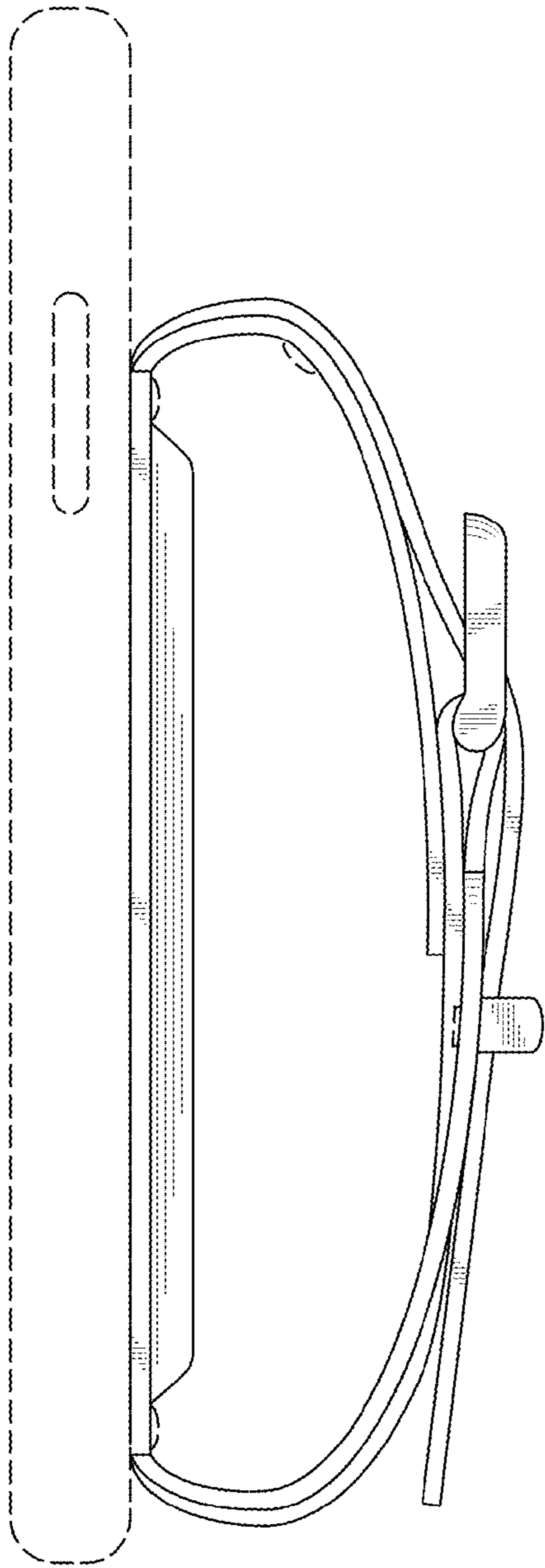


FIG. 6

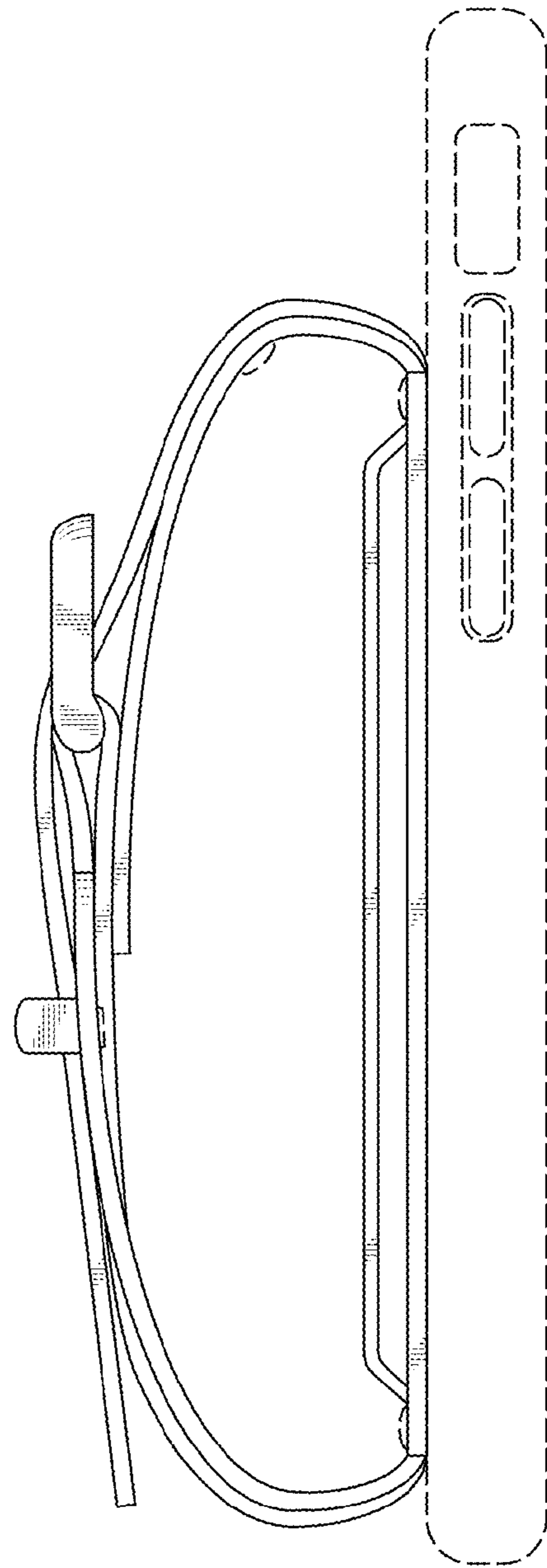


FIG. 7