



US00D933644S

(12) **United States Design Patent** (10) **Patent No.:** **US D933,644 S**
Choi et al. (45) **Date of Patent:** **** Oct. 19, 2021**

(54) **CASE FOR ELECTRONIC COMMUNICATIONS DEVICE**

(71) Applicant: **Samsung Electronics Co., Ltd.**,
Suwon-si (KR)

(72) Inventors: **Jung-Hyun Choi**, Suwon-si (KR);
Jun-Yong Song, Suwon-si (KR);
Eun-Soo Kim, Suwon-si (KR);
Byoung-Jin Kim, Suwon-si (KR)

(73) Assignee: **SAMSUNG ELECTRONICS CO., LTD.**,
Suwon-si (KR)

(**) Term: **15 Years**

(21) Appl. No.: **29/730,430**

(22) Filed: **Apr. 3, 2020**

(30) **Foreign Application Priority Data**

Nov. 20, 2019 (KR) 30-2019-0055432

(51) **LOC (13) Cl.** **14-03**

(52) **U.S. Cl.**
USPC **D14/250**

(58) **Field of Classification Search**
USPC D14/203.3–203.7, 439, 251–253, 447,
D14/217, 240, 238.1, 250, 440, 248;
D13/107–108, 103, 119; D3/201, 218,
D3/247, 249, 269, 273, 301, 303
CPC . H04B 1/3888; A45C 13/02; A45C 2011/002;
A45C 1/06; A45C 11/00; A45F 2005/026;
A45F 2200/0525; A45F 2200/0516;
H04M 1/0283; H04M 1/0202
See application file for complete search history.

(56) **References Cited**

U.S. PATENT DOCUMENTS

D575,056 S * 8/2008 Tan D3/201
D623,640 S * 9/2010 Freeman D14/250

D626,540 S * 11/2010 Brown D14/250
8,028,794 B1 * 10/2011 Freeman A45C 11/00
181/202
D653,202 S * 1/2012 Hasbrook D13/103
D663,947 S * 7/2012 Jertson D3/218

(Continued)

Primary Examiner — Carla J Wright
(74) *Attorney, Agent, or Firm* — McAndrews Held & Malloy, Ltd.

(57) **CLAIM**

The ornamental design for a case for electronic communications device, as shown and described.

DESCRIPTION

FIG. 1 is a front, right side, and top perspective view of a case for electronic communications device showing our new design;

FIG. 2 is a front elevation view thereof;

FIG. 3 is a rear elevation view thereof;

FIG. 4 is a left side elevation view thereof;

FIG. 5 is a right side elevation view thereof;

FIG. 6 is a top plan view thereof;

FIG. 7 is a bottom plan view thereof;

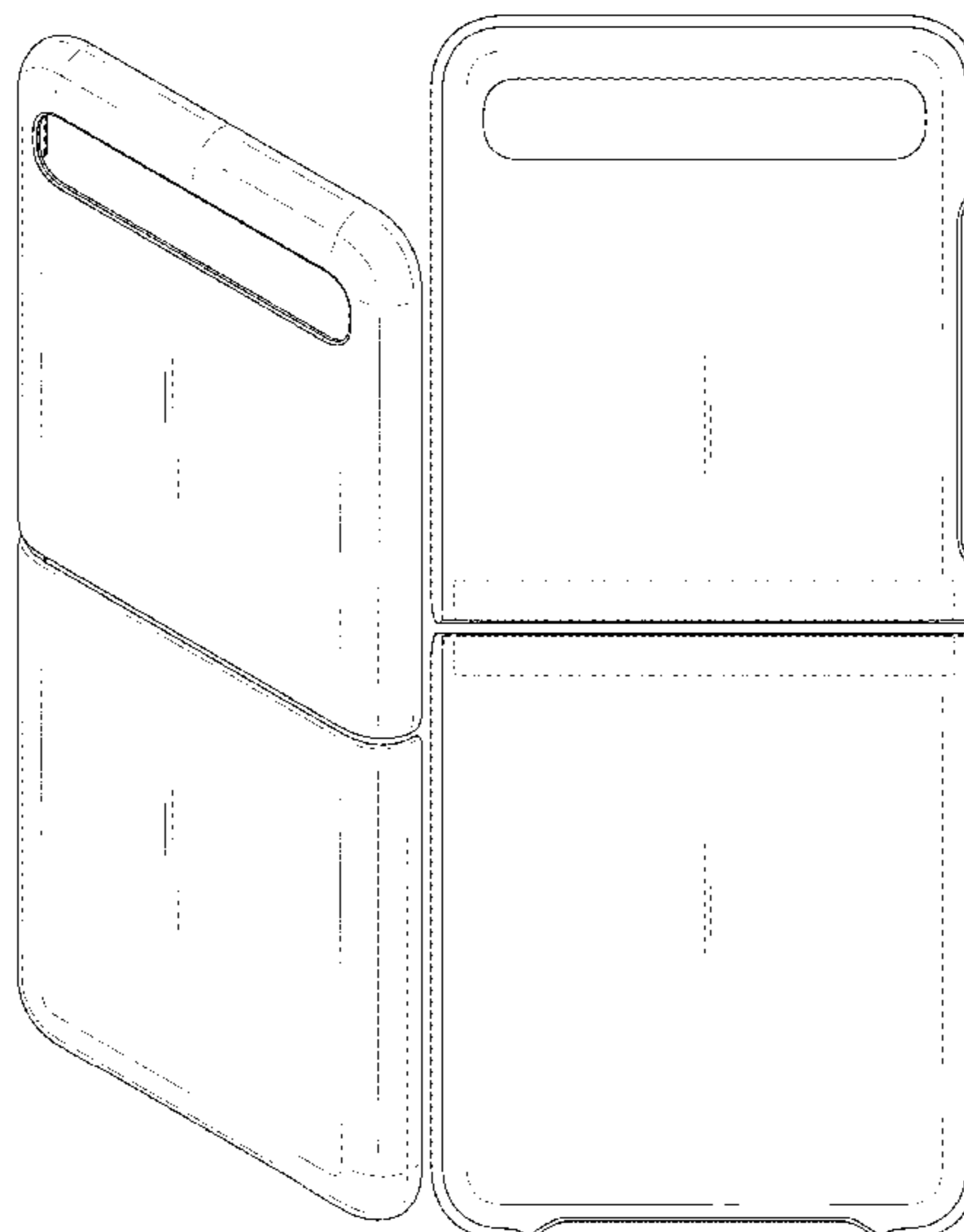
FIG. 8 is a rear, right side, and top perspective view thereof;

FIG. 9 is an exploded left side elevation view thereof, showing an environmental electronic communications device in broken lines; and,

FIG. 10 is an exploded left side elevation view thereof in an alternative configuration, showing an environmental electronic communications device in broken lines.

The broken line showing of the electronic communications device in FIGS. 9 and 10 is for the purpose of illustrating environmental structure that forms no part of the claimed design. The remaining broken lines in the figures illustrate portions of the case for electronic communications device that form no part of the claimed design.

1 Claim, 10 Drawing Sheets



(56)

References Cited

U.S. PATENT DOCUMENTS

D694,743 S * 12/2013 Monaco D14/250
D704,688 S * 5/2014 Reivo D14/250
8,774,881 B2 * 7/2014 Johnson H04B 1/3888
455/575.8
D711,860 S * 8/2014 Daniel D14/250
9,223,346 B2 * 12/2015 Wilson G06F 1/1633
D748,614 S * 2/2016 Ju D14/250
D749,555 S * 2/2016 Poon D14/250
D774,498 S * 12/2016 Tao D14/250
D781,835 S * 3/2017 Kim D14/250
9,997,933 B2 * 6/2018 Huang H02J 7/0029
D823,289 S * 7/2018 Akana D14/250
D837,776 S * 1/2019 Chung D14/250
D843,993 S * 3/2019 Jeong D14/250
D859,390 S * 9/2019 Park D14/250
D880,468 S * 4/2020 Lee D14/250
D907,021 S * 1/2021 Han D14/250
D911,323 S * 2/2021 Kim D14/250
2009/0186264 A1 * 7/2009 Huang H02J 7/0047
429/96
2011/0049005 A1 * 3/2011 Wilson B44C 1/16
206/701
2011/0309728 A1 * 12/2011 Diebel H04B 1/3888
312/293.1

* cited by examiner

FIG. 1

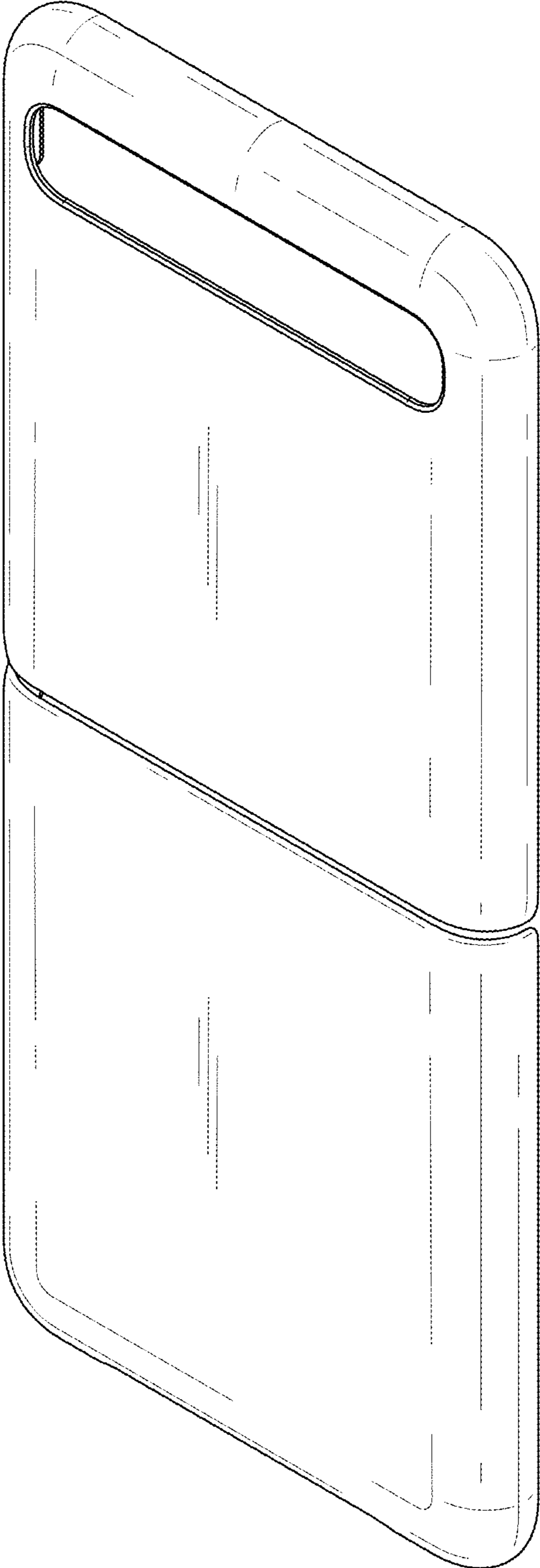


FIG. 2

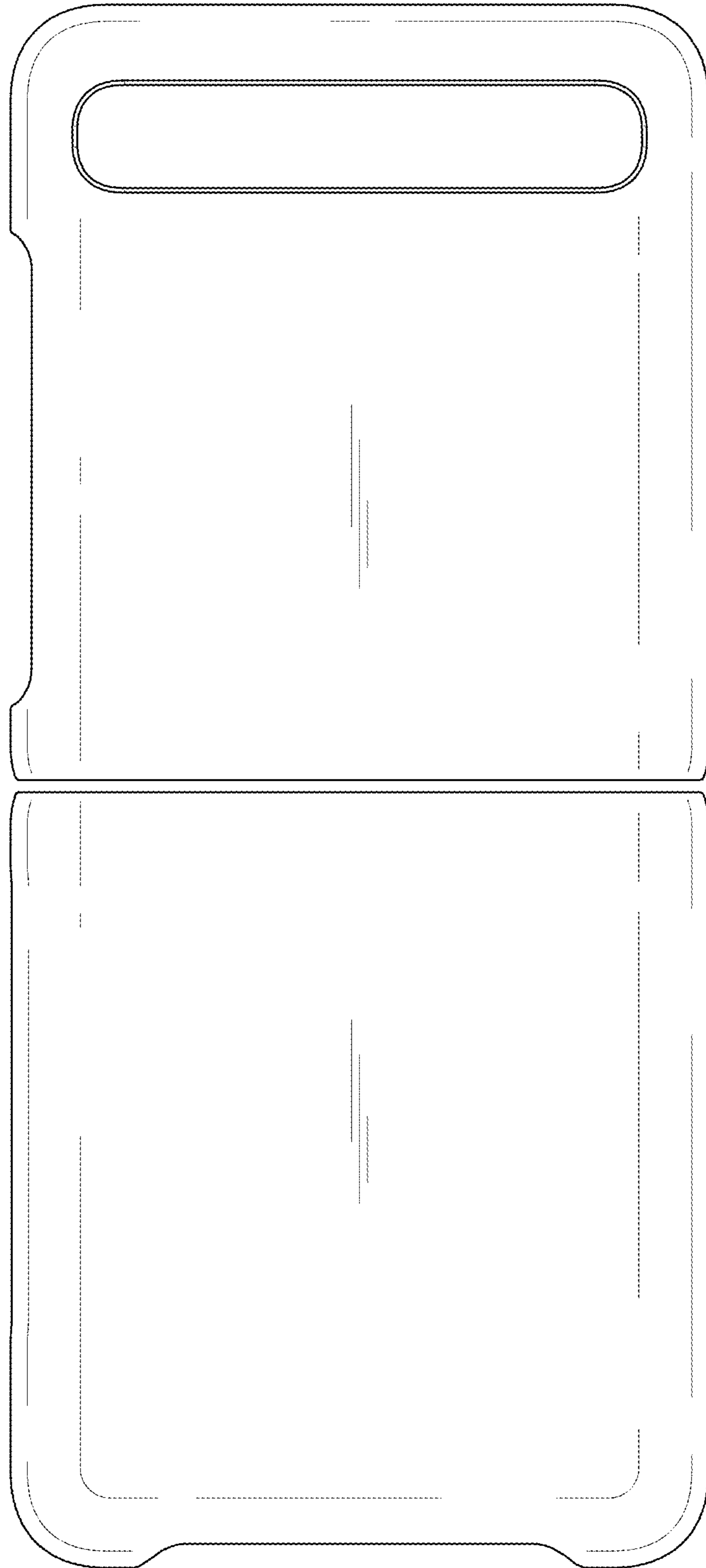


FIG. 3

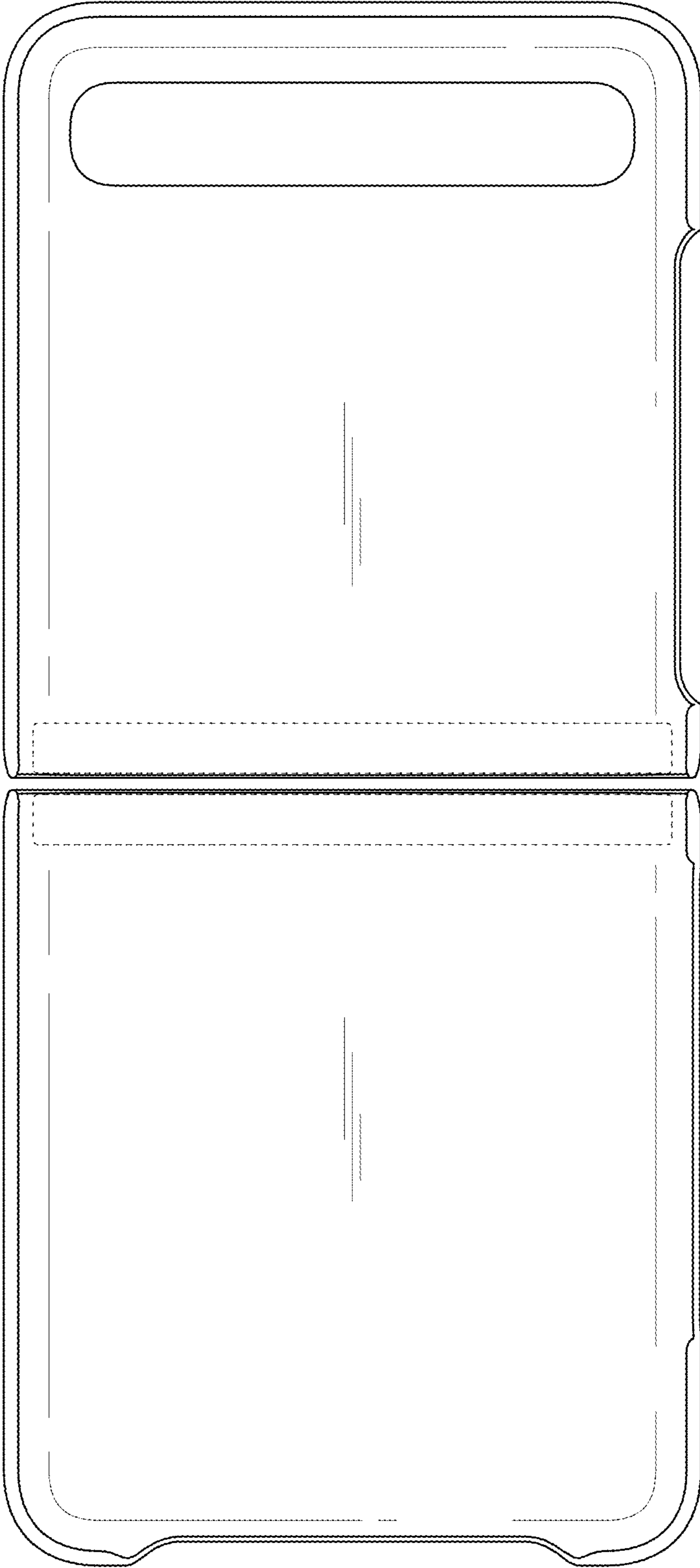


FIG. 4

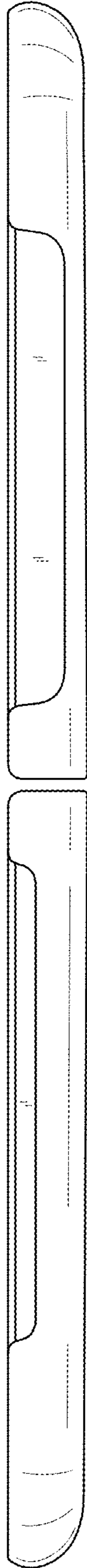


FIG. 5

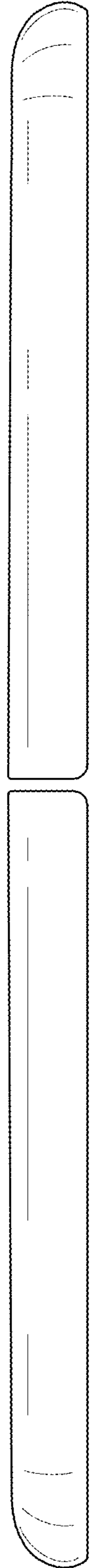


FIG. 6



FIG. 7

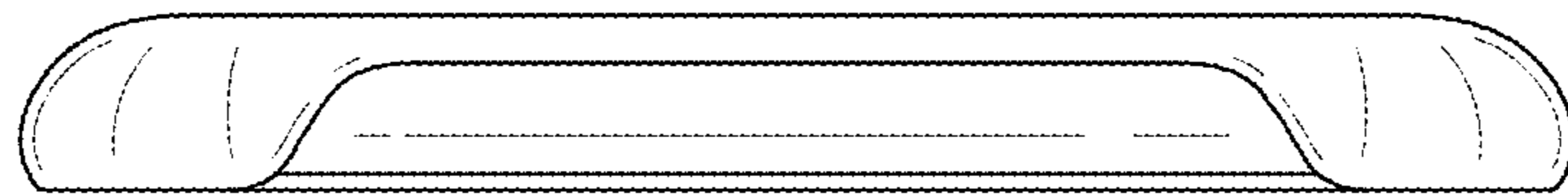


FIG. 8

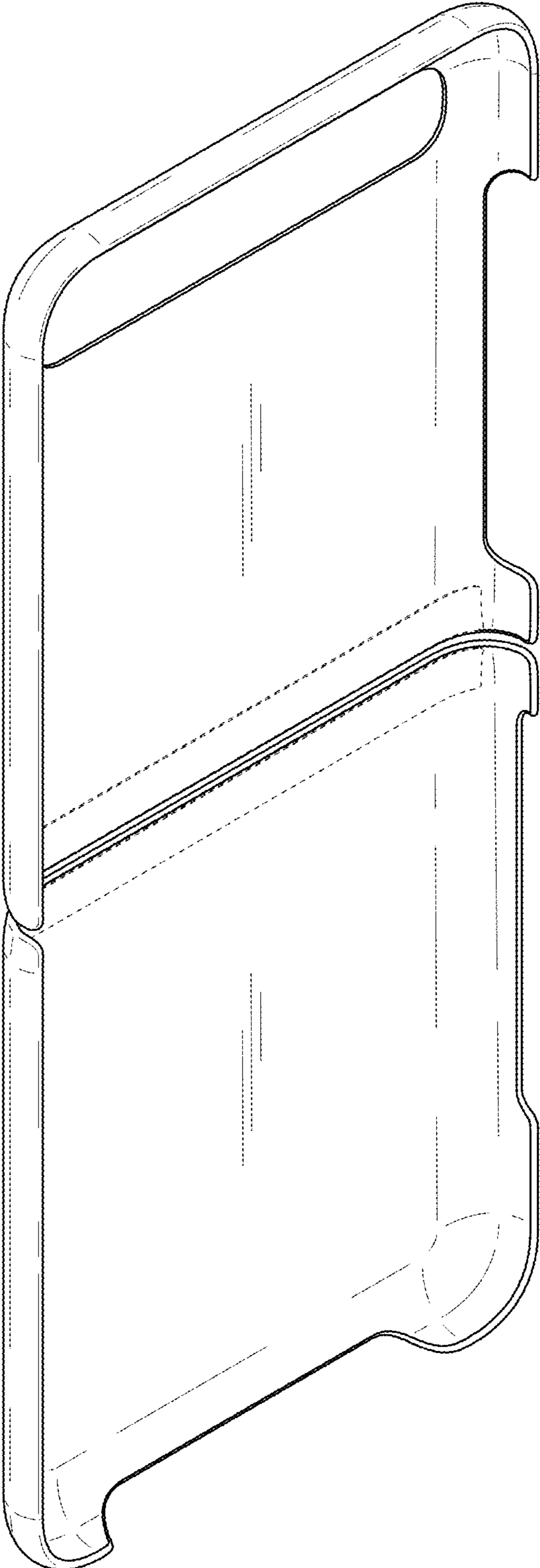


FIG. 9

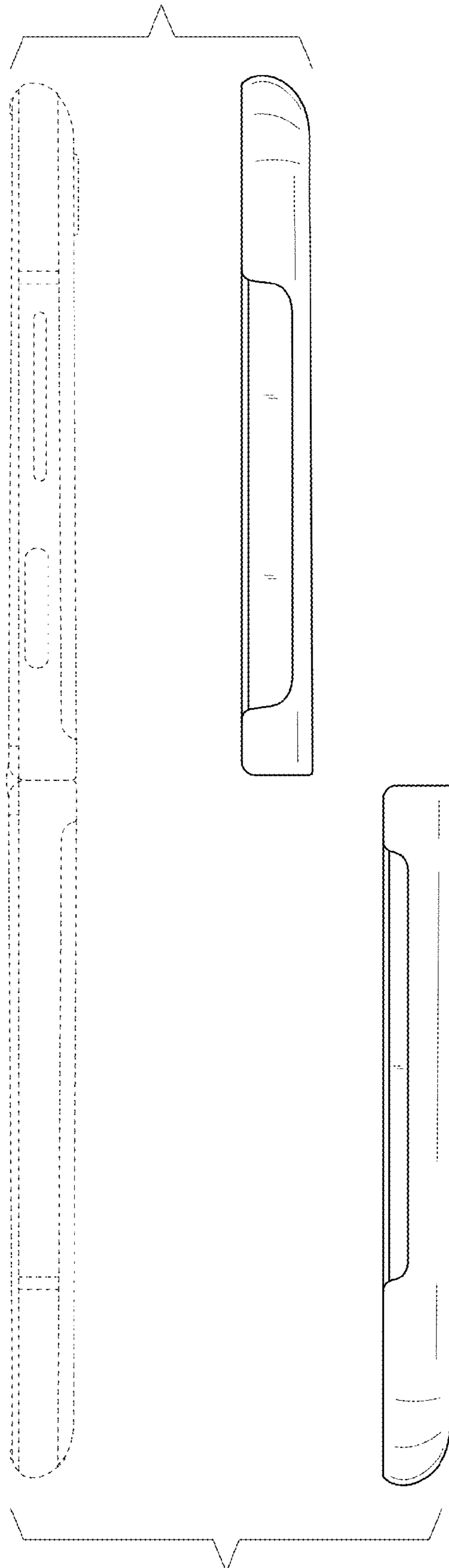


FIG. 10

