



US00D933643S

(12) **United States Design Patent** (10) **Patent No.:** **US D933,643 S**  
**Liao** (45) **Date of Patent:** **\*\* Oct. 19, 2021**

(54) **PHONE CASE**  
(71) Applicant: **Hongzhou Liao, Ji'an (CN)**  
(72) Inventor: **Hongzhou Liao, Ji'an (CN)**  
(\*\*) Term: **15 Years**  
(21) Appl. No.: **29/729,007**  
(22) Filed: **Mar. 24, 2020**  
(51) **LOC (13) Cl.** ..... **14-03**  
(52) **U.S. Cl.**  
USPC ..... **D14/250**  
(58) **Field of Classification Search**  
USPC ..... D14/203.3-203.7, 439, 251-253, 447,  
D14/217, 240, 238.1, 250, 440, 248,  
D14/138 G; D13/107-108, 103, 119;  
D3/201, 218, 247, 249, 269, 273, 301,  
D3/303  
CPC . H04B 1/3888; A45C 13/02; A45C 2011/002;  
A45C 1/06; A45C 11/00; A45F 2005/026;  
A45F 2200/0525; A45F 2200/0516;  
H04M 1/0283; H04M 1/0202  
See application file for complete search history.

D808,371 S \* 1/2018 Kim ..... D14/250  
D808,372 S \* 1/2018 Brown ..... D14/250  
D809,454 S \* 2/2018 Zhou ..... D13/103  
D810,065 S \* 2/2018 Tien ..... D14/250  
D816,654 S \* 5/2018 Chen ..... D14/250  
D843,364 S \* 3/2019 Sasaki ..... D14/250  
D863,284 S \* 10/2019 Luo ..... D14/250  
D863,286 S \* 10/2019 Hong ..... D14/250  
D868,053 S \* 11/2019 Gao ..... D14/250  
D875,726 S \* 2/2020 Weng ..... D14/250  
D875,727 S \* 2/2020 Weng ..... D14/250  
D878,348 S \* 3/2020 Weng ..... D14/250  
D898,016 S \* 10/2020 Liang ..... D14/250  
D904,385 S \* 12/2020 Weng ..... D14/250  
D908,685 S \* 1/2021 Bai ..... D14/250  
2013/0271922 A1 \* 10/2013 Wilson ..... H04M 1/185  
361/724

\* cited by examiner

*Primary Examiner* — Carla J Wright

(57) **CLAIM**

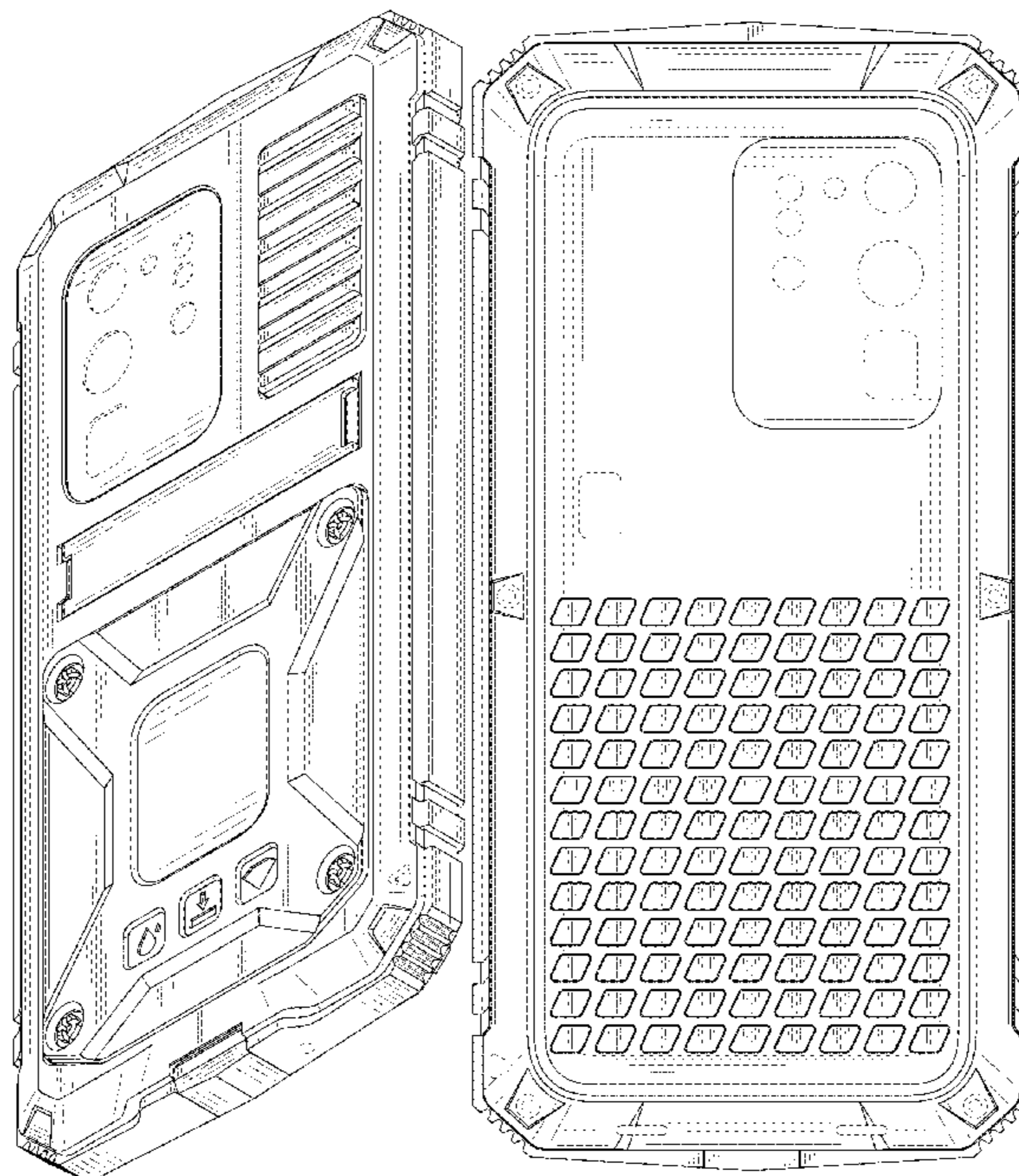
The ornamental design for a phone case, as shown and described.

**DESCRIPTION**

FIG. 1 is a first perspective view of a phone case showing my new design;  
FIG. 2 is a second perspective view thereof;  
FIG. 3 is a front view thereof;  
FIG. 4 is a back view thereof;  
FIG. 5 is a left side view thereof;  
FIG. 6 is a right side view thereof;  
FIG. 7 is a top view thereof; and,  
FIG. 8 is a bottom view thereof.  
The broken lines shown in the drawings depict portions of the phone case in which the design is embodied that form no part of the claimed design.

(56) **References Cited**  
U.S. PATENT DOCUMENTS  
D683,338 S \* 5/2013 Wilson ..... D14/250  
D717,778 S \* 11/2014 Zermeno ..... D14/250  
D718,759 S \* 12/2014 Barfoot ..... D14/250  
D748,613 S \* 2/2016 Sasaki ..... D14/250  
D766,226 S \* 9/2016 Wu ..... D14/250  
D766,227 S \* 9/2016 Wu ..... D14/250  
D767,551 S \* 9/2016 Sasaki ..... D14/250  
D788,058 S \* 5/2017 Astheimer ..... D14/138 G  
D794,006 S \* 8/2017 Dong ..... D14/250  
D807,335 S \* 1/2018 Kitade ..... D14/248

**1 Claim, 8 Drawing Sheets**



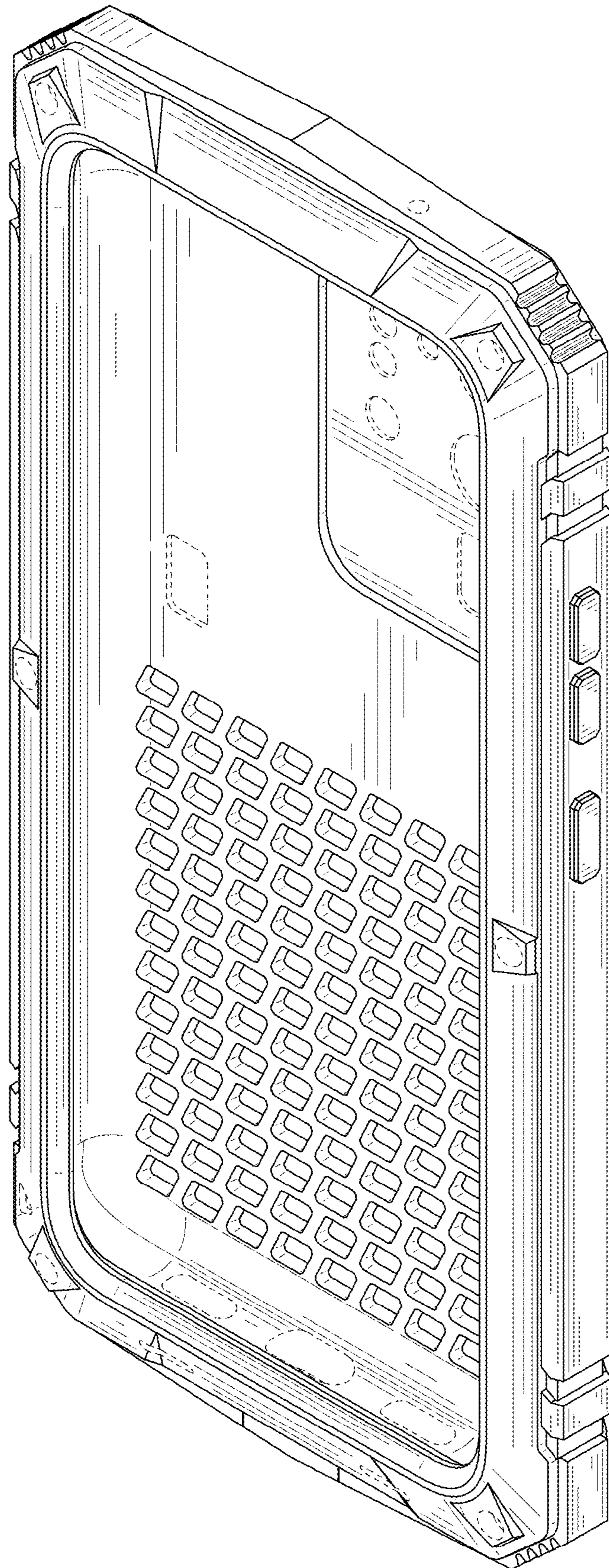


FIG. 1

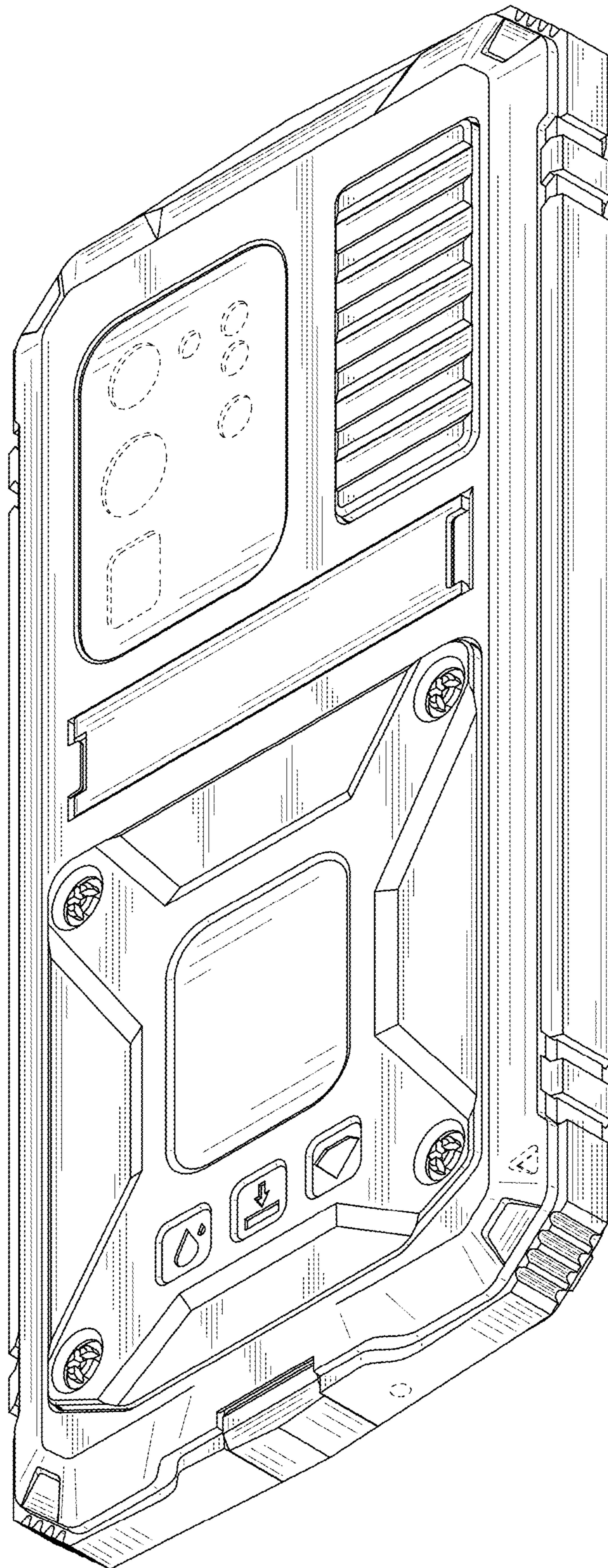


FIG. 2

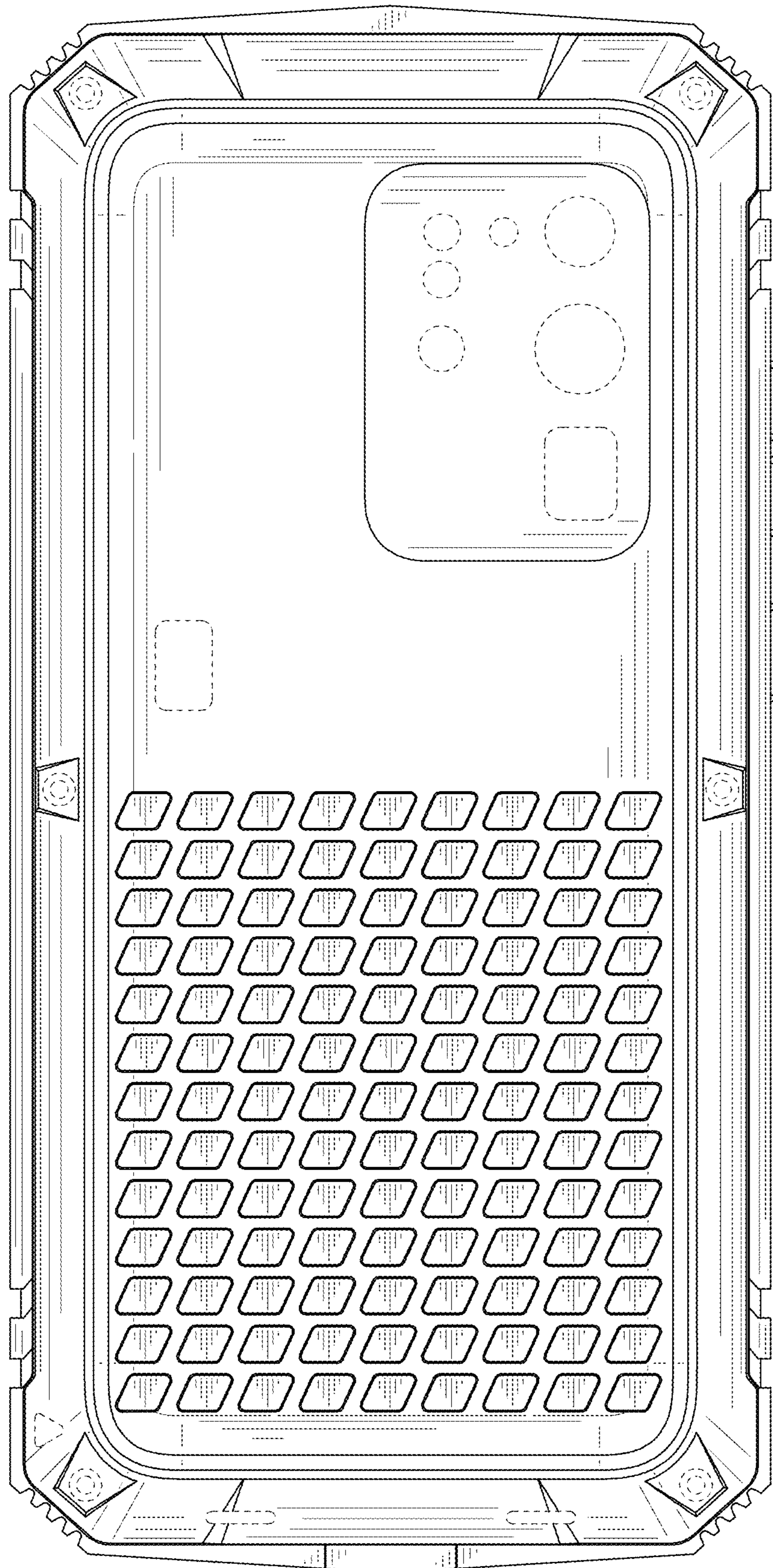


FIG. 3

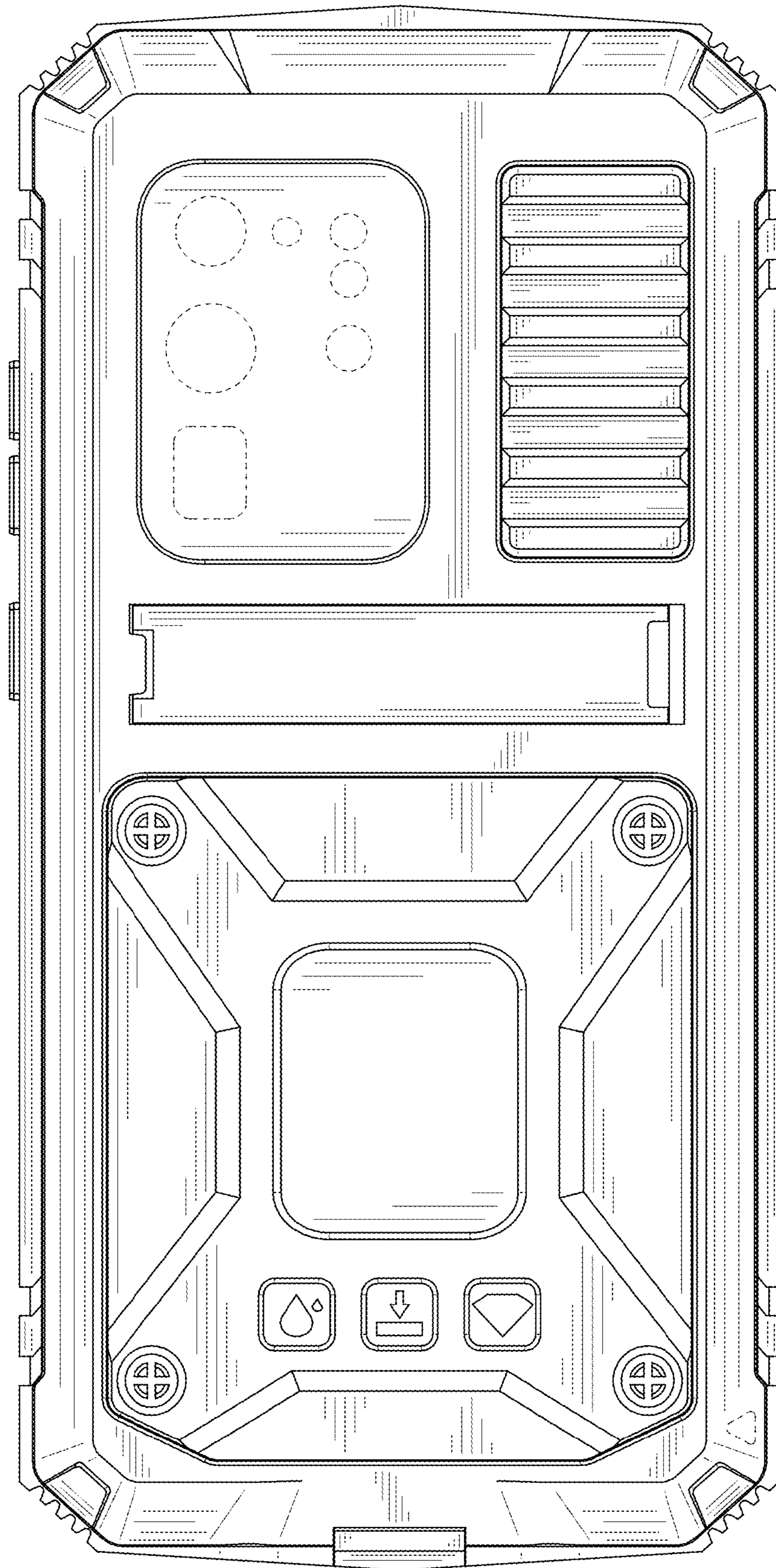


FIG. 4

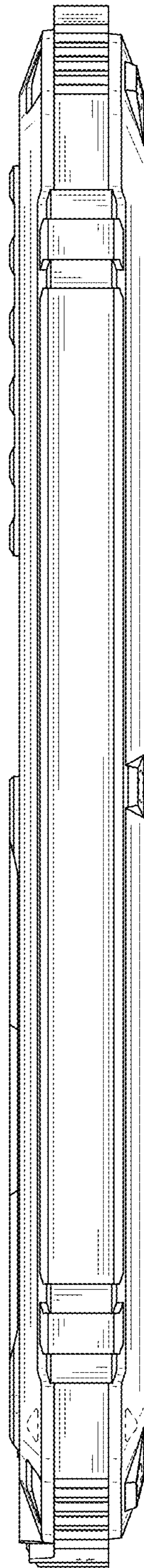


FIG. 5

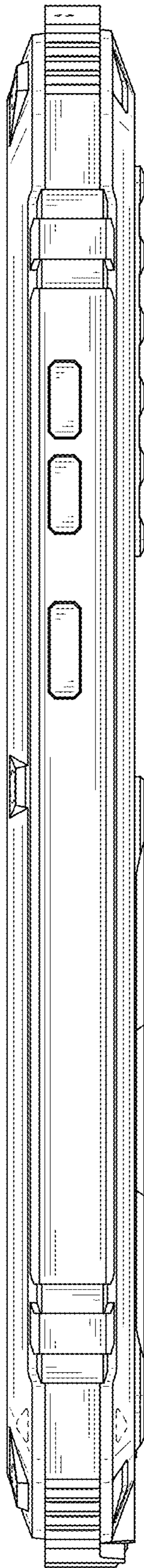


FIG. 6

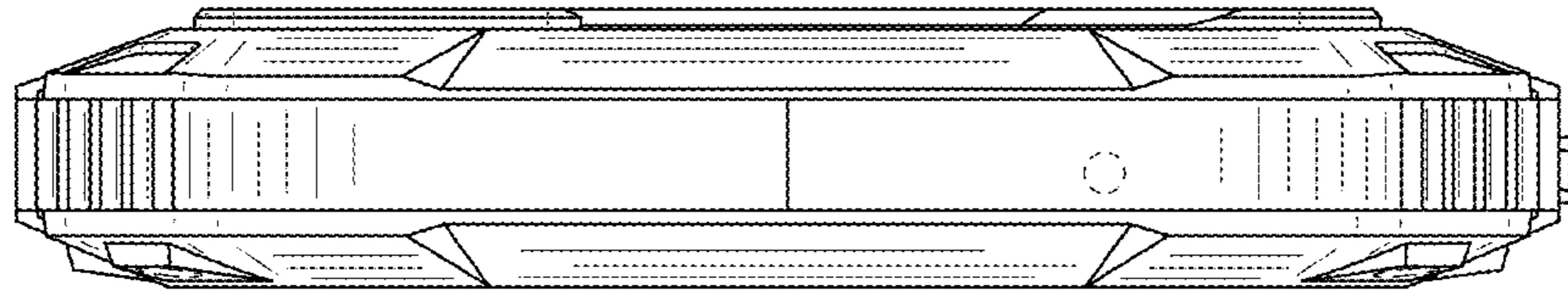


FIG. 7



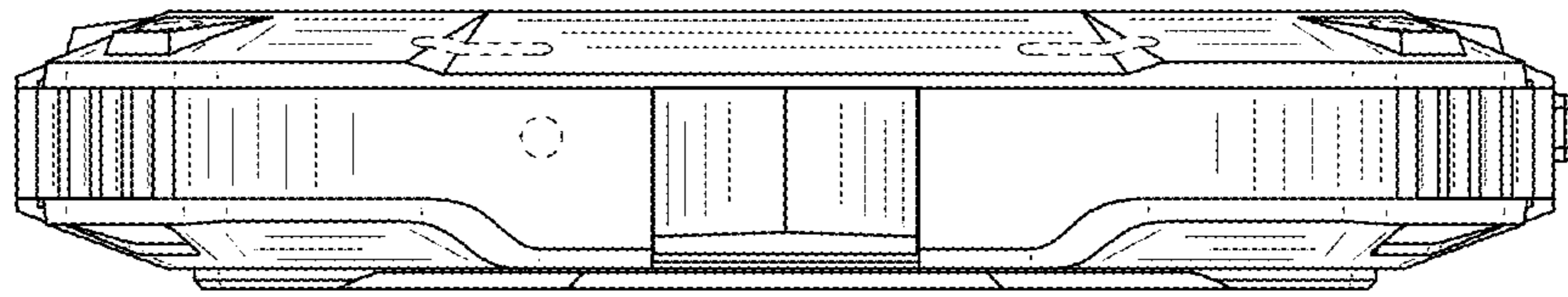


FIG. 8