



US00D933641S

(12) **United States Design Patent** (10) **Patent No.:** **US D933,641 S**
Bould et al. (45) **Date of Patent:** **** Oct. 19, 2021**

(54) **WIRELESS CONNECTIVITY DEVICE**

(56) **References Cited**

(71) Applicant: **Amazon Technologies, Inc.**, Seattle, WA (US)

U.S. PATENT DOCUMENTS

(72) Inventors: **Fred Bould**, Menlo Park, CA (US); **Jeremy Paul Wolf**, San Francisco, CA (US); **Lora Violinova Dimitrova**, San Francisco, CA (US)

D411,535 S 6/1999 Beaumont et al.
D442,922 S 5/2001 Sato
D448,352 S 9/2001 Atsushi
D478,070 S 8/2003 Nagai et al.
D531,999 S 11/2006 Bourne et al.

(Continued)

(73) Assignee: **Amazon Technologies, Inc.**, Seattle, WA (US)

OTHER PUBLICATIONS

(**) Term: **15 Years**

The Chinese Office Action dated Apr. 17, 2020 for Chinese Patent Application No. 201930629739.2, a counterpart of U.S. Appl. No. 29/691,295, 1 pages.

(21) Appl. No.: **29/768,313**

(Continued)

(22) Filed: **Jan. 28, 2021**

Primary Examiner — Marie D. Fast Horse
(74) *Attorney, Agent, or Firm* — Lee & Hayes, P.C.

Related U.S. Application Data

(57) **CLAIM**

The ornamental design for a wireless connectivity device, as shown and described.

(62) Division of application No. 29/691,295, filed on May 15, 2019, now Pat. No. Des. 912,030.

DESCRIPTION

(51) **LOC (13) Cl.** **14-03**

(52) **U.S. Cl.**
USPC **D14/240**; D14/358

(58) **Field of Classification Search**

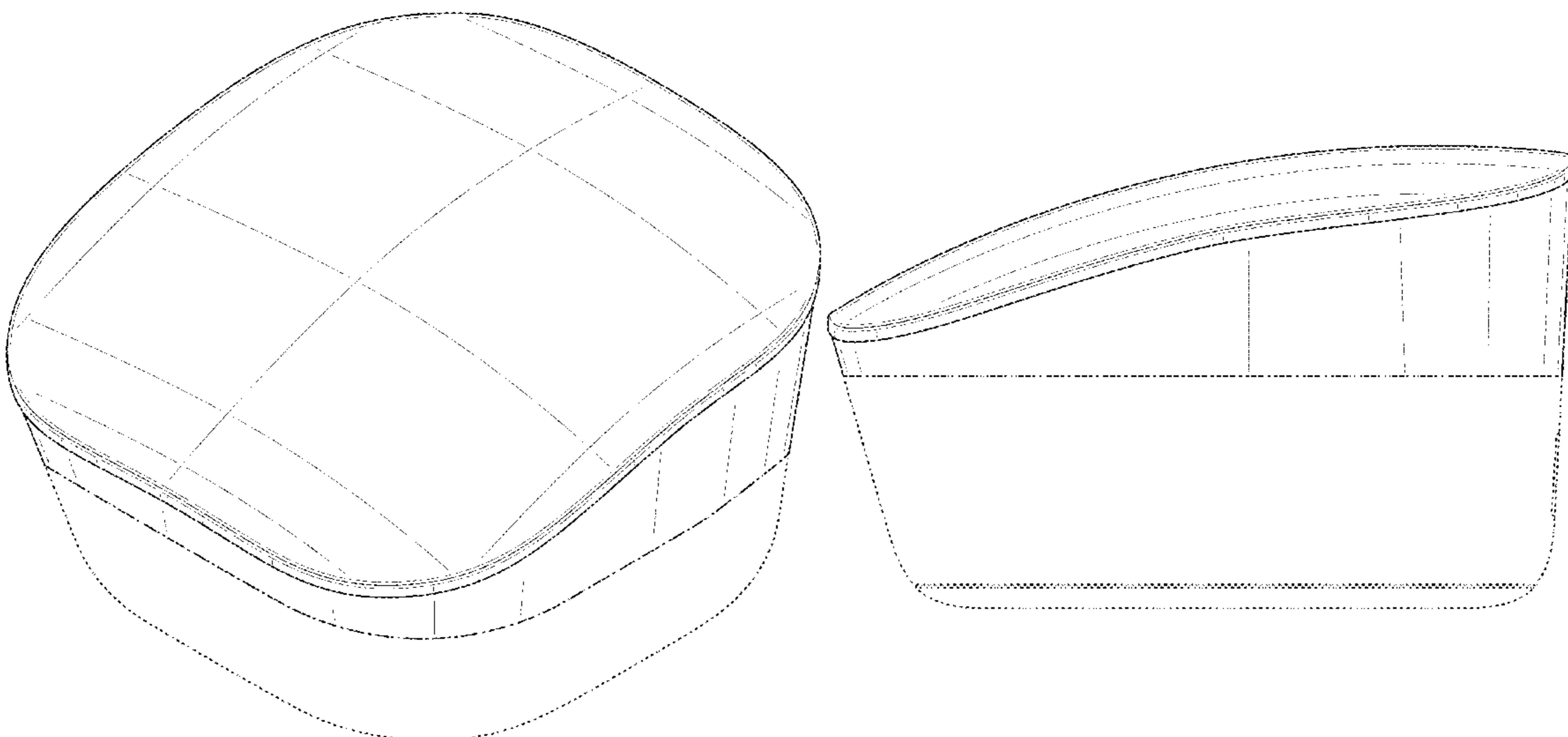
USPC ... D14/140.1, 240, 242, 358, 125, 129, 130, D14/140, 142, 155, 167, 168, 172, 188, D14/195, 299, 496, 348, 351, 356, 357, D14/197, 198, 230; D10/104.1, 106.1, D10/106.6, 116.1, 61, 64, 75, 106.9; D13/110, 123, 152, 158, 162, 162.1, 163, D13/168, 184, 199, 108
CPC ... H04W 88/08; H04W 88/085; H04W 88/00; H04W 88/005; H04W 88/02; H04W 88/10; H04W 88/12; H04W 88/14; H04W 88/16; H04W 88/18; H04W 4/00; H01Q 1/02; H01Q 1/2291; H01Q 1/246; H01Q 1/42; H04B 1/38

See application file for complete search history.

FIG. 1 is a top, front, right perspective view of a wireless connectivity device;
FIG. 2 is a top, back, left perspective view thereof;
FIG. 3 is a bottom, front, left perspective view thereof;
FIG. 4 is a bottom, back, right perspective view thereof;
FIG. 5 is a front view thereof;
FIG. 6 is a back view thereof;
FIG. 7 is a left-side view thereof;
FIG. 8 is a right-side view thereof;
FIG. 9 is a top view thereof; and,
FIG. 10 is a bottom view thereof.

The dashed broken lines depict portions of the wireless connectivity device that form no part of the claimed design. The dot-dashed broken lines represent boundaries of the claimed wireless connectivity device and form no part of the claimed design.

1 Claim, 10 Drawing Sheets



(56)

References Cited

U.S. PATENT DOCUMENTS

D541,941 S 5/2007 Nakanishi et al.
 D575,280 S 8/2008 Marquez
 D597,543 S 8/2009 Urban
 D598,375 S 8/2009 Nomi
 D598,449 S 8/2009 Landry et al.
 D605,643 S 12/2009 Landry et al.
 D610,133 S 2/2010 Asano
 D624,541 S 9/2010 Kemery et al.
 D638,425 S 5/2011 Ikeda et al.
 D638,426 S 5/2011 Ikeda et al.
 D640,692 S 6/2011 Waisman-Diamond
 D685,355 S 7/2013 Holleman et al.
 D687,817 S 8/2013 Petersen et al.
 D705,224 S 5/2014 Govindasamy et al.
 D707,666 S 6/2014 Ting et al.
 D711,359 S 8/2014 Marzynski et al.
 D723,479 S 3/2015 Lee et al.
 D724,023 S * 3/2015 Huang D13/107
 D737,786 S 9/2015 Loretan et al.
 D740,262 S 10/2015 Hasegawa et al.
 D751,515 S 3/2016 Paredes
 D752,529 S 3/2016 Loretan et al.
 D753,639 S 4/2016 Marzynski et al.
 D754,751 S 4/2016 Kusano et al.
 D756,976 S 5/2016 Jou et al.
 D756,991 S 5/2016 Day et al.
 D762,215 S 7/2016 Luttrell
 D765,066 S 8/2016 Cowles et al.
 D765,073 S 8/2016 Niizawa
 D768,587 S 10/2016 Xu et al.
 D768,589 S 10/2016 Shin
 D768,602 S 10/2016 Reichert et al.
 D771,039 S 11/2016 Windstrup et al.
 D775,982 S 1/2017 Laurino et al.
 D778,185 S 2/2017 Ookawa et al.
 D778,889 S 2/2017 Nagao
 D781,797 S 3/2017 Moon et al.
 D782,429 S 3/2017 Xianda et al.
 D785,608 S 5/2017 Weaver et al.
 D794,019 S 8/2017 Kusano et al.
 D806,072 S 12/2017 Gummalla et al.

D806,678 S 1/2018 Reichert et al.
 D806,709 S 1/2018 Gummalla et al.
 D809,493 S 2/2018 Konotopskyi et al.
 D813,212 S 3/2018 Nangeroni et al.
 D815,062 S 4/2018 Bird et al.
 D816,070 S 4/2018 Marzynski et al.
 D820,244 S 6/2018 Cowles et al.
 D821,373 S 6/2018 Pera et al.
 D828,342 S 9/2018 Chen
 D829,198 S 9/2018 Cho et al.
 D831,646 S 10/2018 Kusano et al.
 D835,085 S 12/2018 Burmeister-Brown et al.
 D836,114 S 12/2018 Nangeroni et al.
 D844,593 S 4/2019 Bould et al.
 D850,430 S 6/2019 Wu
 D852,176 S 6/2019 Moon
 D853,367 S 7/2019 Moon
 D862,731 S 10/2019 Hu
 D863,244 S 10/2019 Newton et al.
 D867,315 S 11/2019 Newton et al.
 D867,316 S 11/2019 Newton et al.
 D869,463 S 12/2019 Gagne-Keats et al.
 D875,570 S 2/2020 Hernandez
 D876,411 S 2/2020 Lim et al.
 D876,440 S 2/2020 Nangeroni et al.
 D879,150 S 3/2020 Kusano et al.
 D883,967 S 5/2020 Huang et al.
 D892,777 S 8/2020 Nguyen
 D895,591 S 9/2020 Lee et al.
 D905,027 S * 12/2020 Chang D14/240
 D912,030 S * 3/2021 Bould D14/240
 2020/0051046 A1 2/2020 Wang et al.

OTHER PUBLICATIONS

The Chinese Office Action dated Aug. 13, 2020 for Chinese Design Application No. 201930629739.2, a counterpart foreign application of the Design U.S. Appl. No. 29/691,295, 1 page.
 The Chinese Office Action dated Aug. 13, 2020 for Chinese Design Application No. 202030350850.0, a counterpart foreign application of the Design U.S. Appl. No. 29/691,295, 1 page.

* cited by examiner

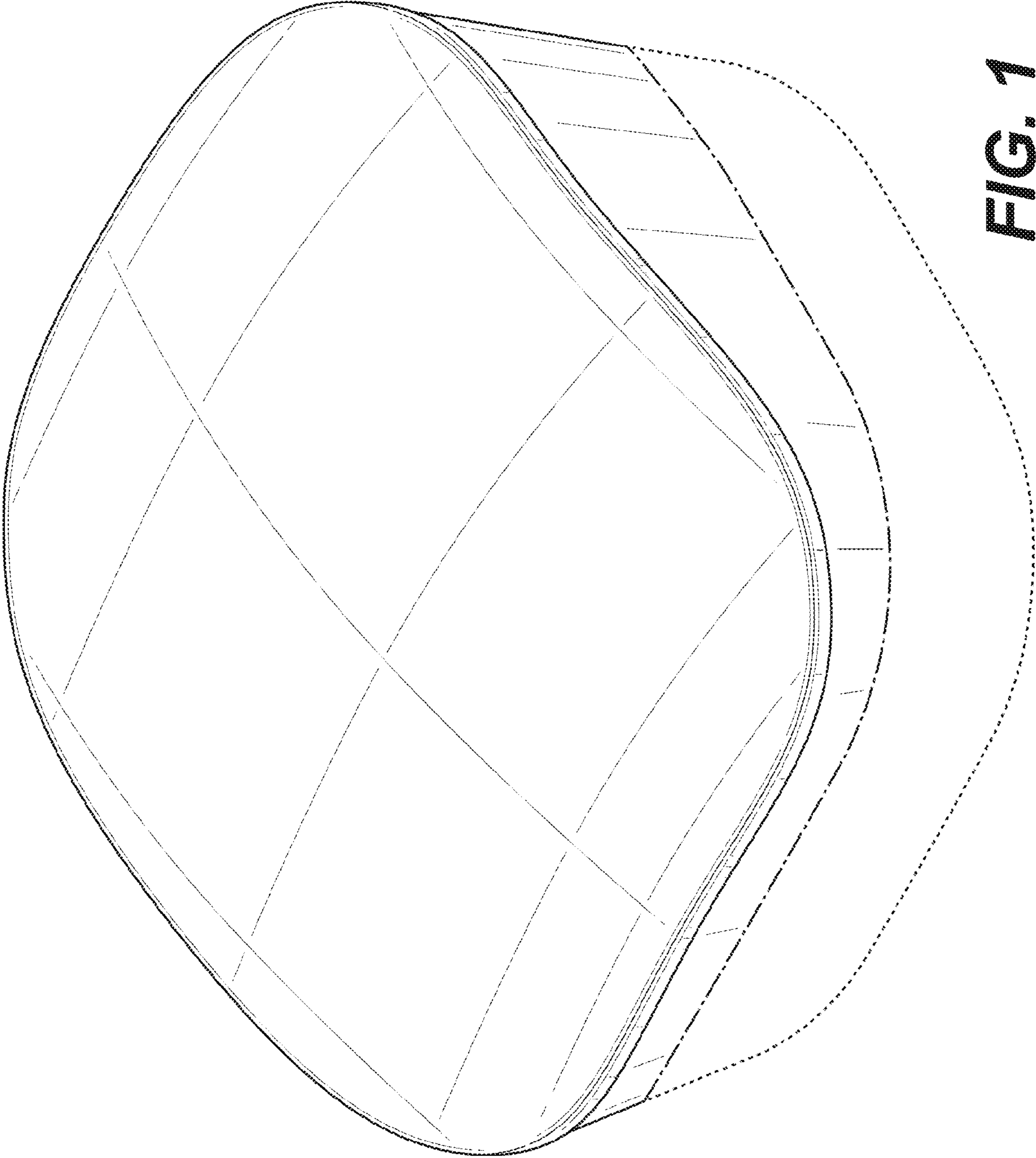


FIG. 1

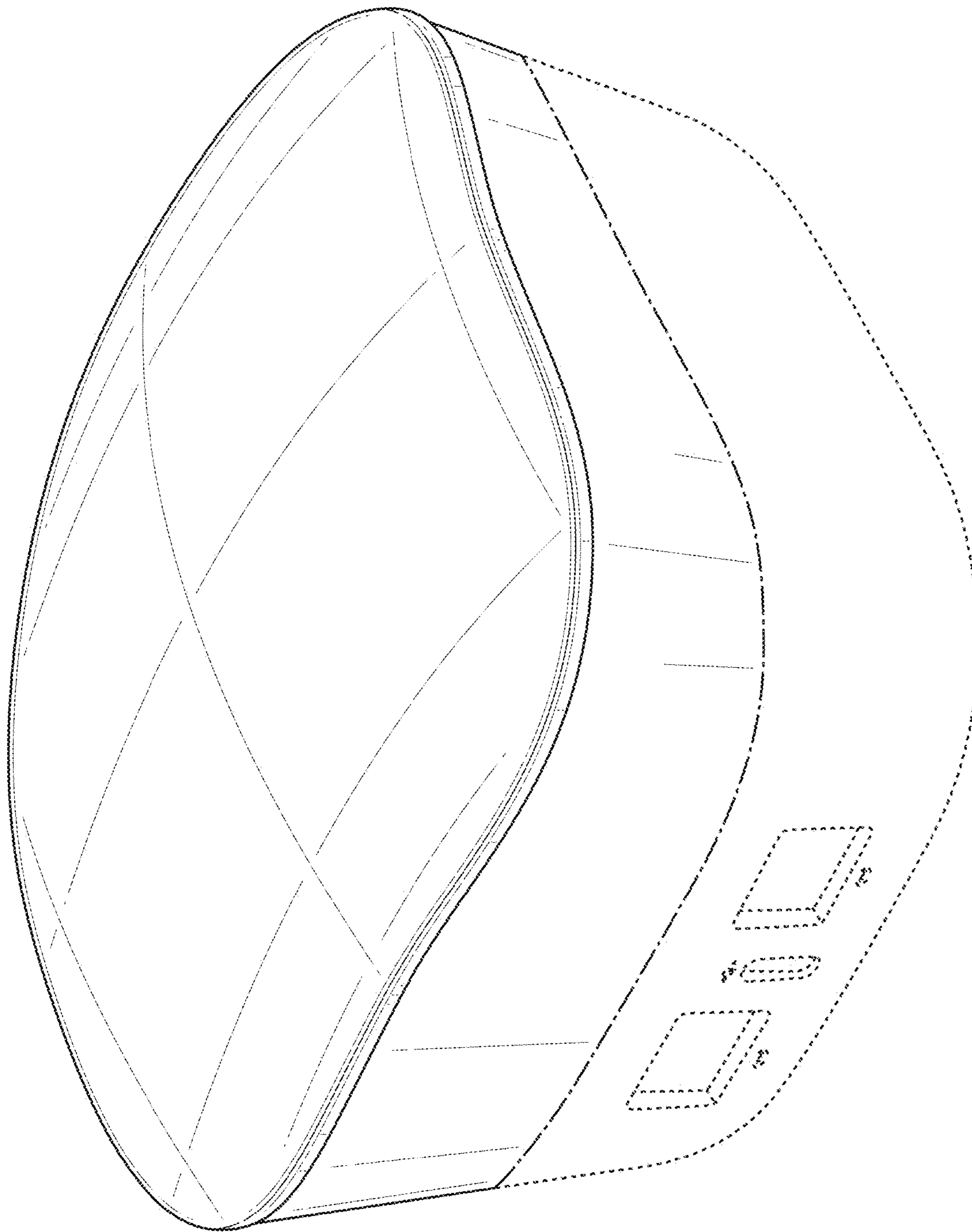


FIG. 2

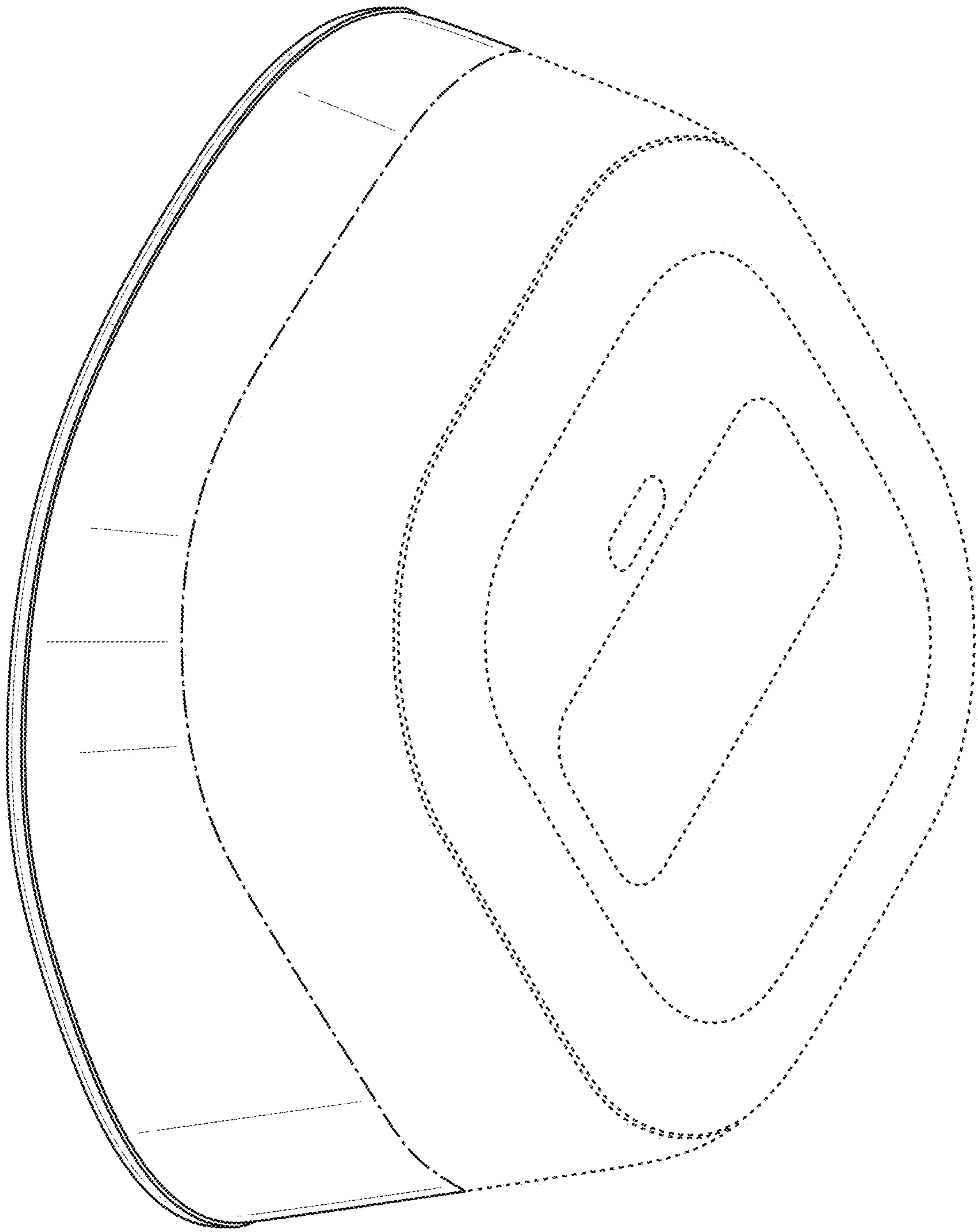


FIG. 3

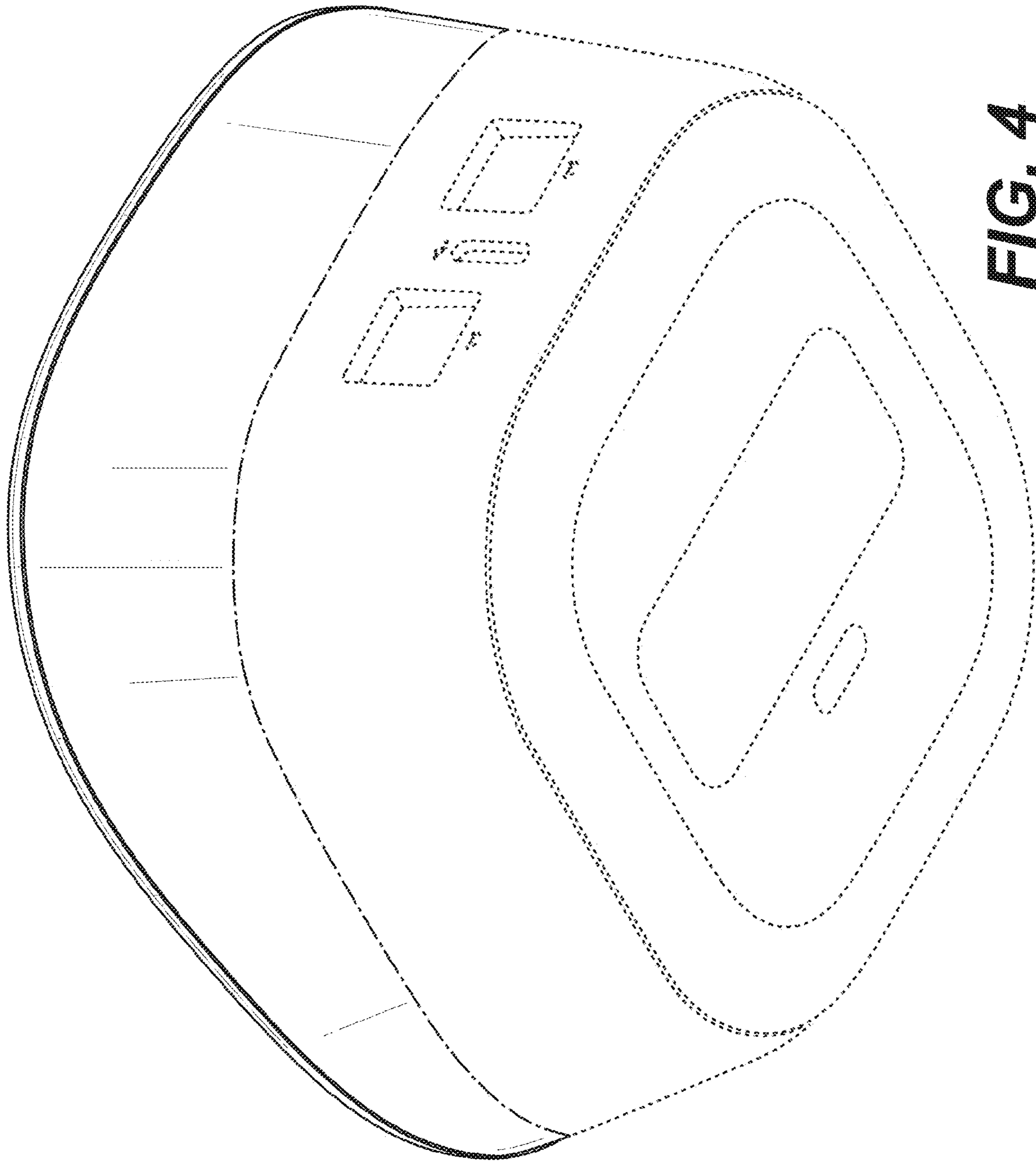


FIG. 4

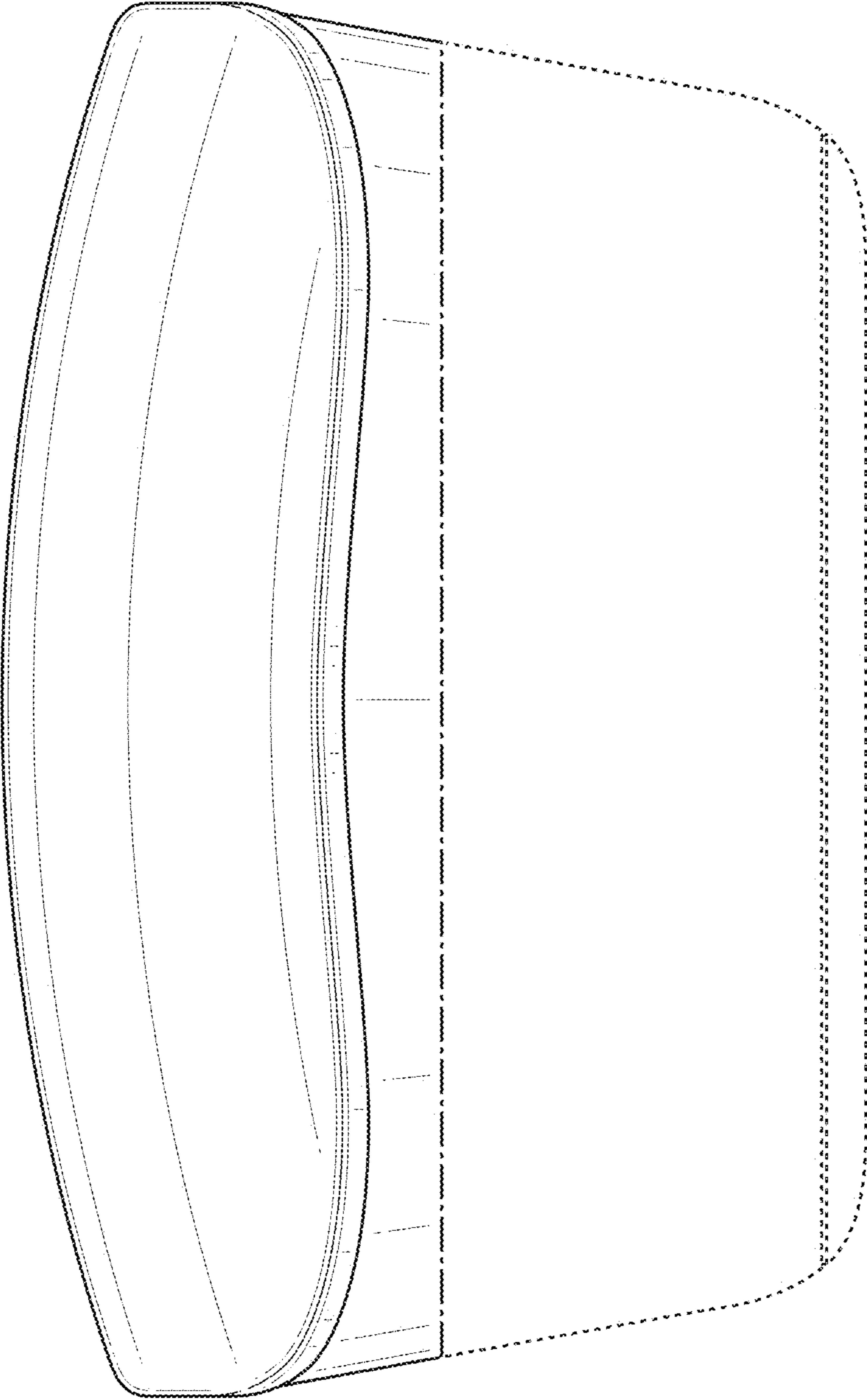


FIG. 5

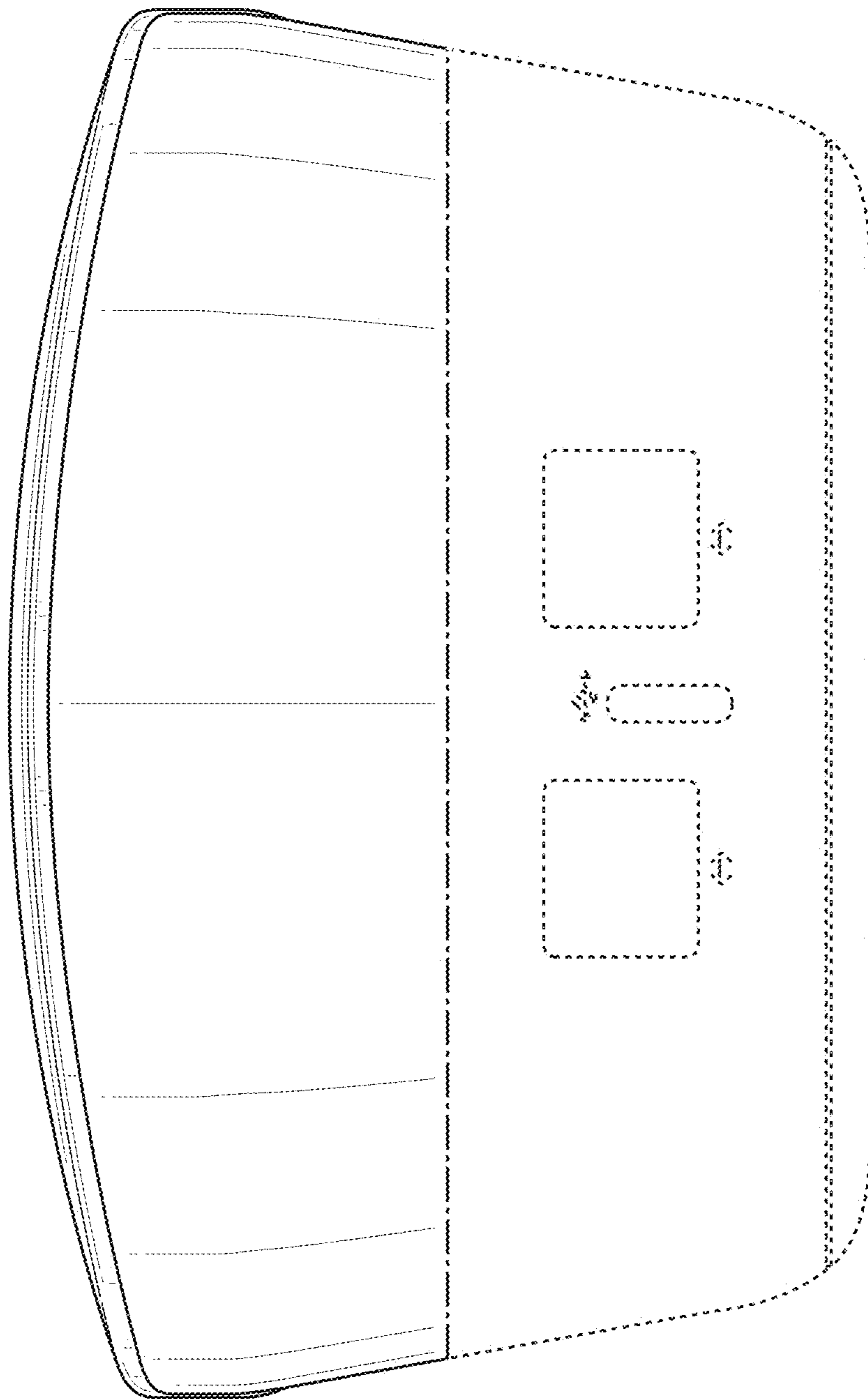


FIG. 6

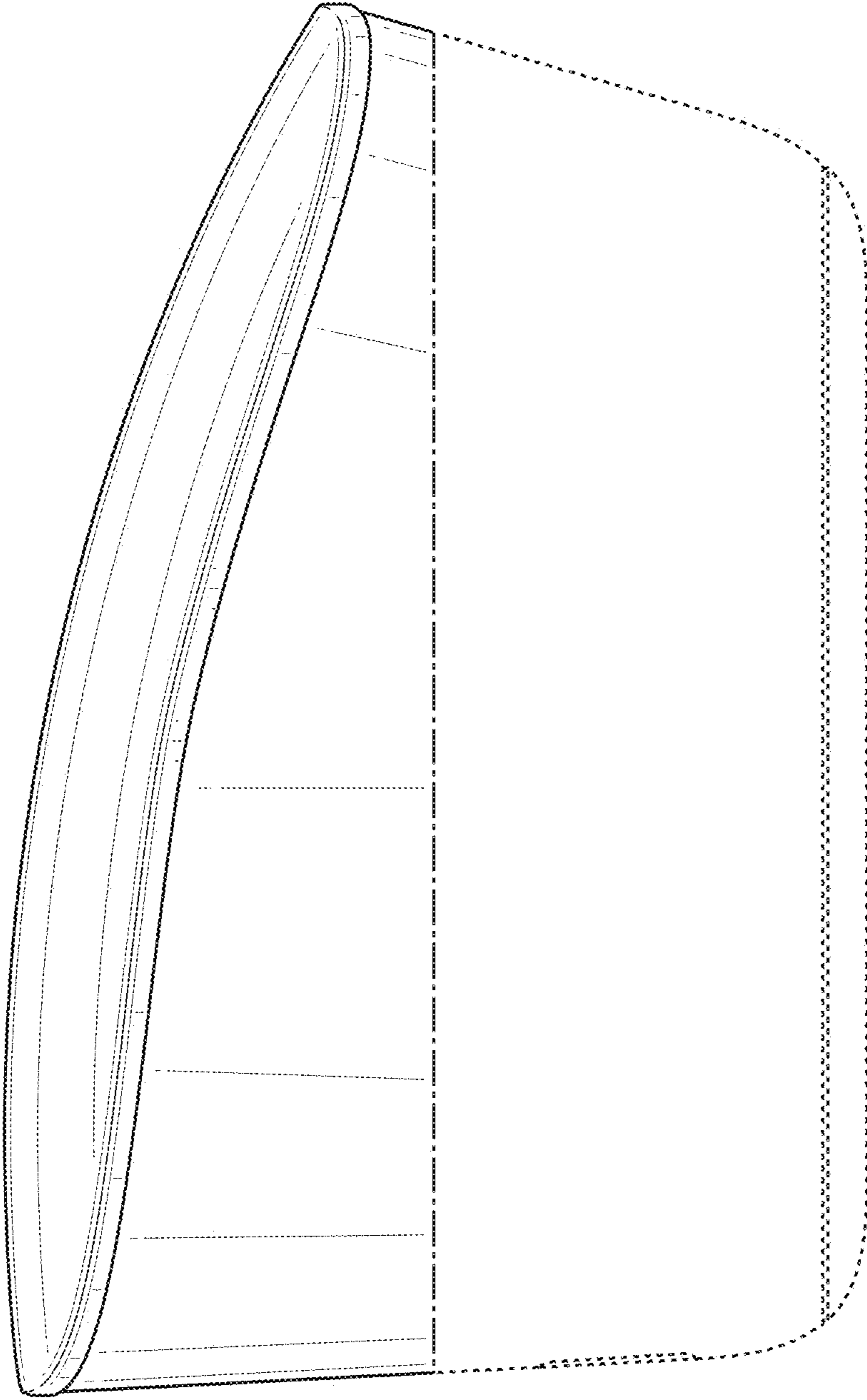


FIG. 7

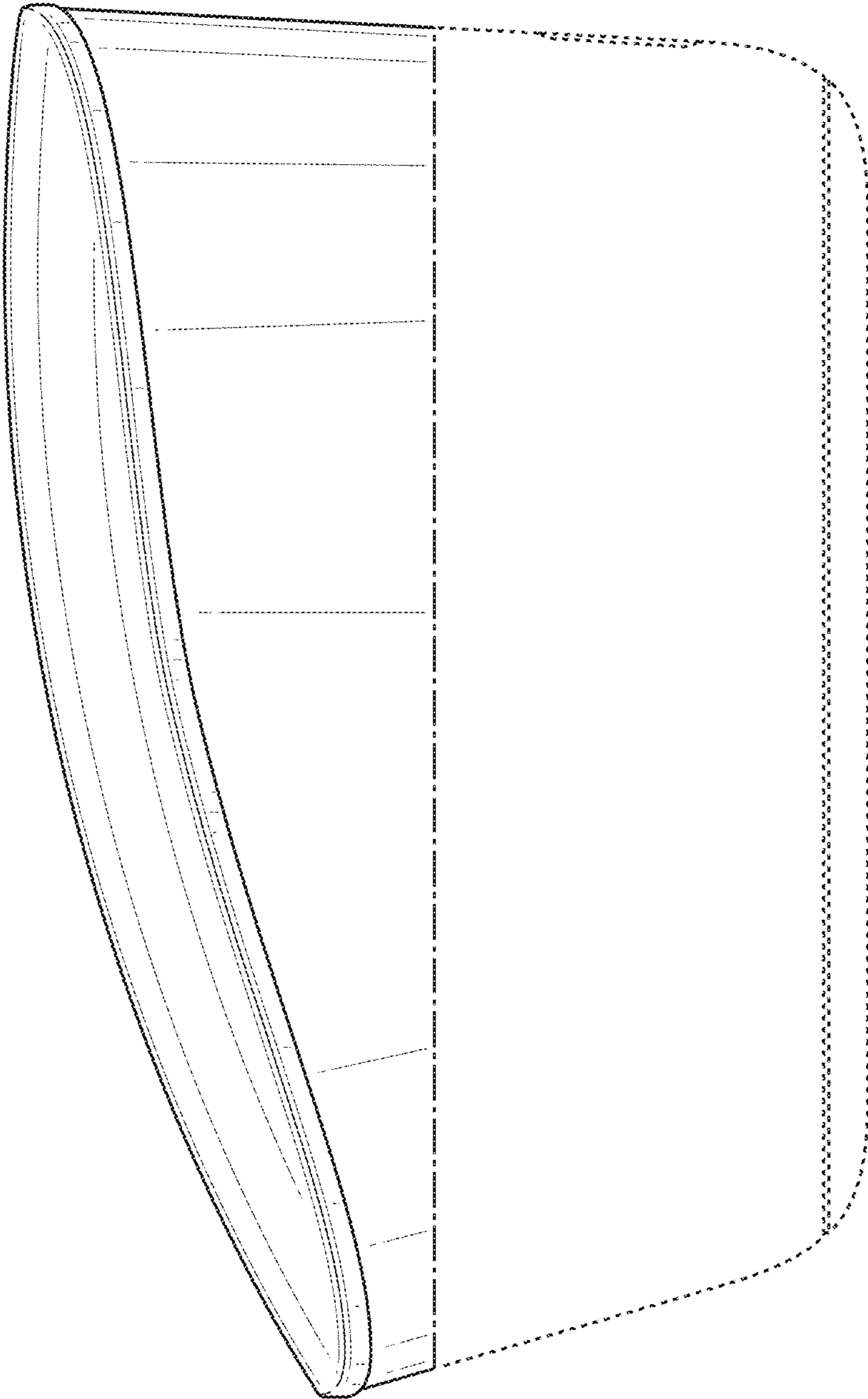


FIG. 8

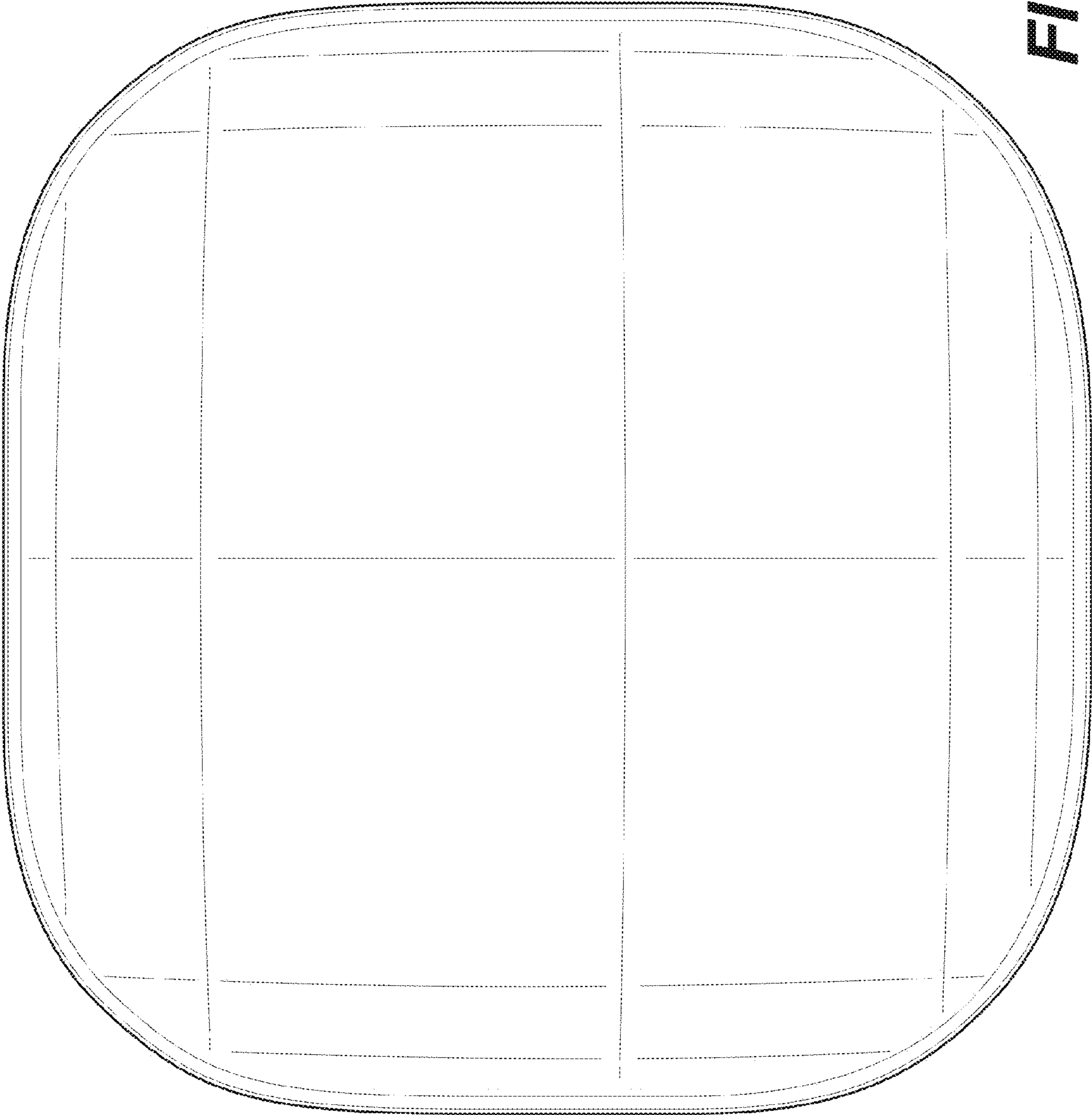


FIG. 9

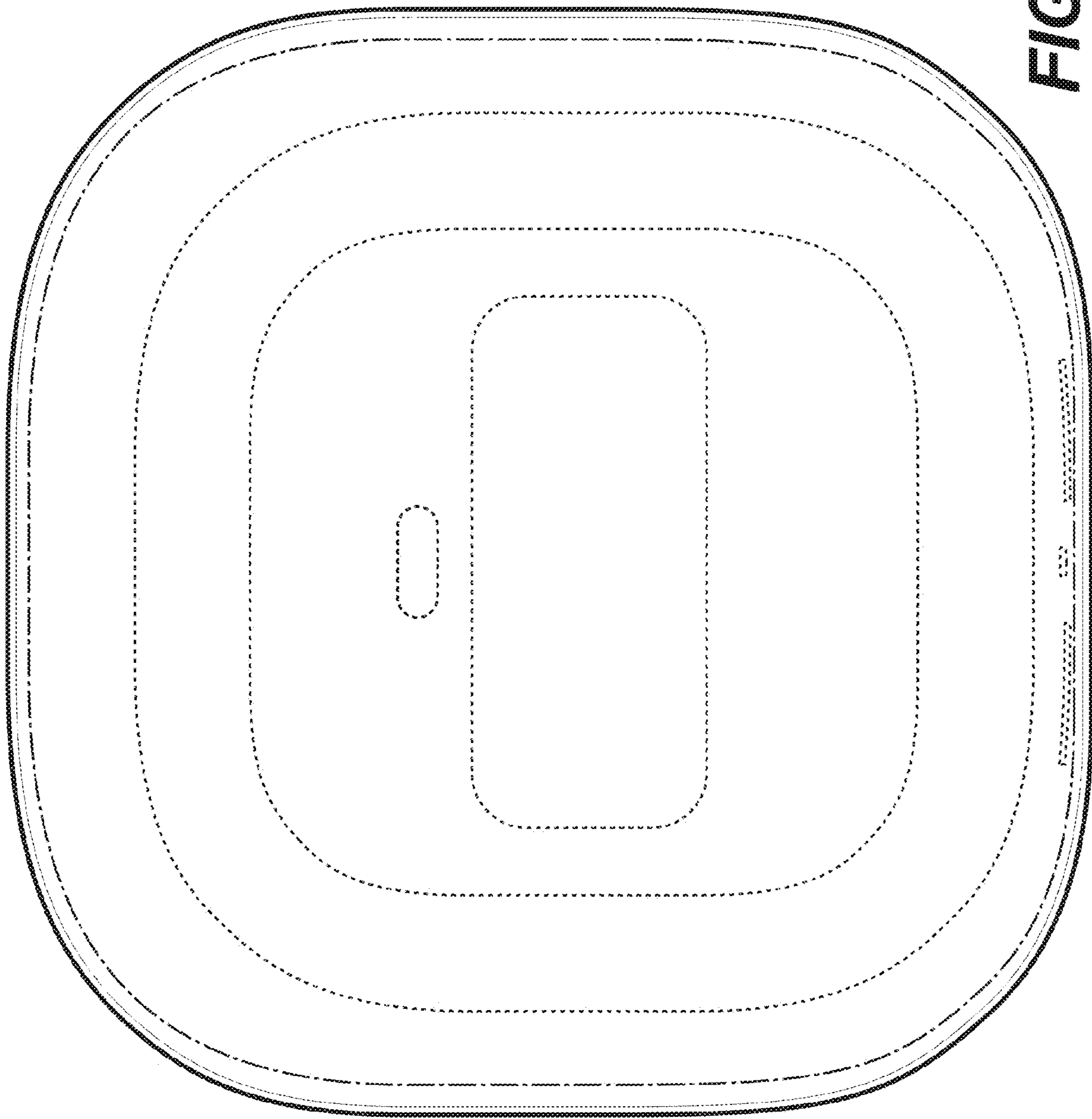


FIG. 10