



US00D933640S

(12) **United States Design Patent**
Zhou

(10) **Patent No.:** **US D933,640 S**

(45) **Date of Patent:** **** Oct. 19, 2021**

(54) **USB MICROPHONE**

(71) Applicant: **Guangzhou Xincheng Innovation Technology Co., Ltd.**, Guangdong (CN)

(72) Inventor: **Licheng Zhou**, Guangdong (CN)

(73) Assignee: **Guangzhou Xincheng Innovation Technology Co., Ltd.**, Guangdong (CN)

(**) Term: **15 Years**

(21) Appl. No.: **29/776,327**

(22) Filed: **Mar. 29, 2021**

(51) **LOC (13) Cl.** **14-01**

(52) **U.S. Cl.**
USPC **D14/229**; D14/225

(58) **Field of Classification Search**
USPC D14/229, 225-228, 496, 155, 156, 435.1, D14/217; D13/110; D17/99; D16/242, D16/248; D8/382; 381/363, 368, 355; 248/176.1, 221.11, 222.13, 688; D9/516
CPC H04R 25/00; H04R 9/08; H04R 19/02; H04R 19/04; H04R 11/04; H04R 3/00; H04R 1/08; H04R 1/1083; A47F 5/00; F16M 11/00; F16M 13/02; F16M 11/041
See application file for complete search history.

(56) **References Cited**

U.S. PATENT DOCUMENTS

- 2,299,468 A * 10/1942 Dafforn D06F 75/28
439/12
- 2,745,688 A * 5/1956 Farrington F16B 2/14
403/103
- D179,540 S * 1/1957 Knechtsberger D14/227
- 2,790,617 A * 4/1957 Harland G01K 1/14
248/278.1

- 3,153,123 A * 10/1964 Harman H04R 1/08
381/363
- D213,567 S * 3/1969 Kahn D14/228
- D220,108 S * 3/1971 van de Poel D14/228
- 3,653,625 A * 4/1972 Plice H04R 1/08
267/113
- 3,924,083 A * 12/1975 Hagey H04R 1/08
248/596
- 3,928,734 A * 12/1975 Noury, Jr. H04R 1/08
381/364
- 4,034,946 A * 7/1977 Zimmer, Jr. F21V 21/30
248/183.2

(Continued)

FOREIGN PATENT DOCUMENTS

- CN 303453464 * 11/2015
- CN 305750800 * 5/2020

(Continued)

Primary Examiner — Paula Allen Greene

(74) *Attorney, Agent, or Firm* — ScienBiziP, P.C.

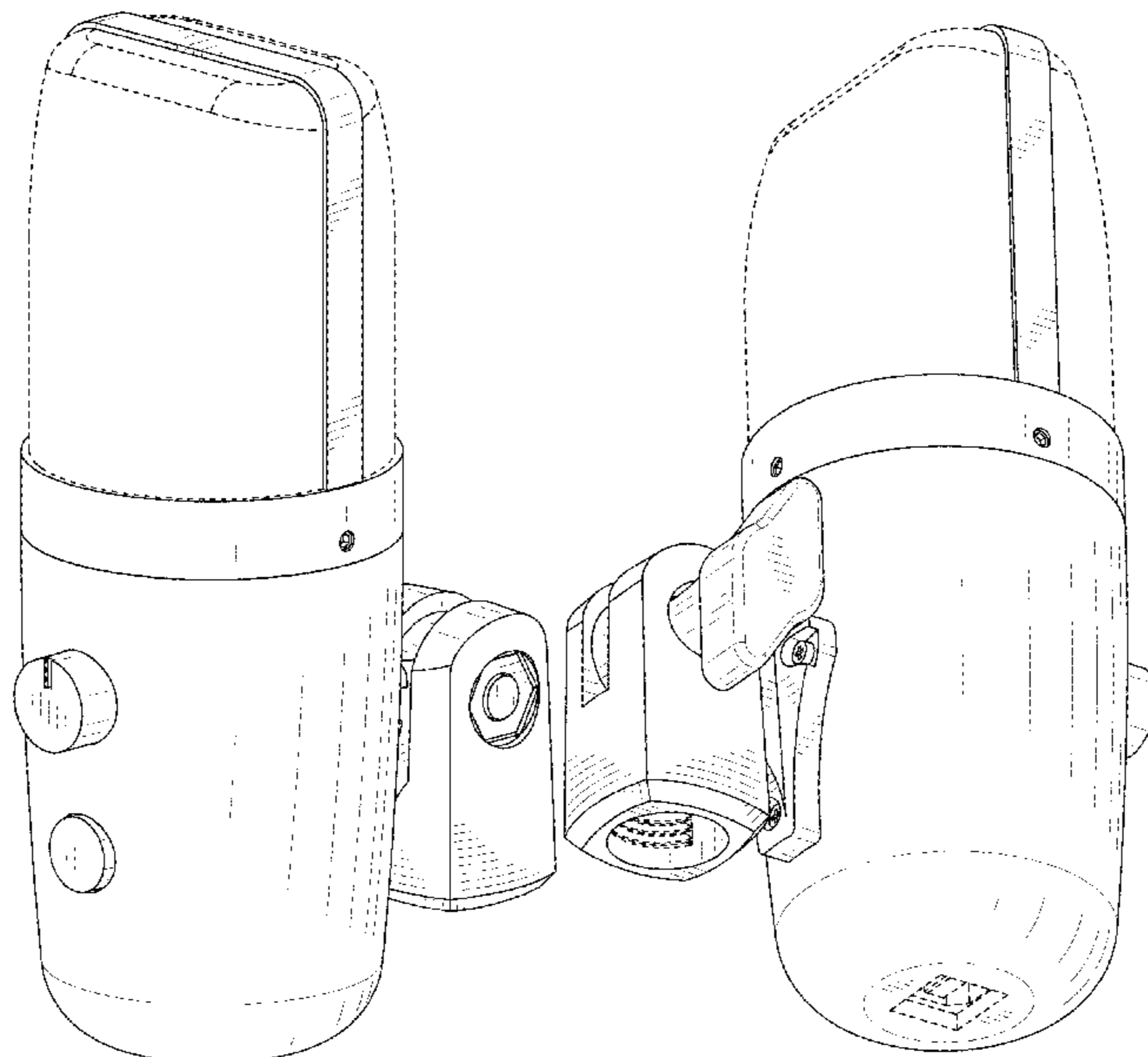
(57) **CLAIM**

The ornamental design for a USB microphone, as shown and described.

DESCRIPTION

FIG. 1 is a front, right, and top perspective view of a USB microphone, showing my design.
 FIG. 2 is a rear, left, and bottom perspective view thereof.
 FIG. 3 is a front elevation view thereof.
 FIG. 4 is a rear elevation view thereof.
 FIG. 5 is a left side elevation view thereof.
 FIG. 6 is a right side elevation view thereof.
 FIG. 7 is a top plan view thereof; and,
 FIG. 8 is a bottom plan view thereof.
 The broken lines shown in the drawings are included for the purpose of illustrating portions of the USB microphone that form no part of the claimed design.

1 Claim, 8 Drawing Sheets



(56)

References Cited

U.S. PATENT DOCUMENTS

4,150,907 A * 4/1979 Thurnauer F16B 7/04
403/234
4,240,129 A * 12/1980 Kawazoe G03B 15/03
248/222.13
D302,158 S * 7/1989 Kubota D14/225
4,929,113 A * 5/1990 Sheu F16C 11/045
403/157
5,086,958 A * 2/1992 Nagy B60N 3/002
224/277
5,106,306 A * 4/1992 Ditzig H01R 39/64
439/26
5,154,382 A * 10/1992 Hoshino F16C 11/103
248/185.1
5,335,142 A * 8/1994 Anderson F16M 11/10
248/183.2
D366,887 S * 2/1996 Wood D16/242
5,611,513 A * 3/1997 Rosen F16M 11/10
248/222.11
5,641,147 A * 6/1997 Pena F16M 11/041
473/538
D400,540 S * 11/1998 Cruver, IV D14/228
D412,708 S * 8/1999 Okon D14/228
D431,554 S * 10/2000 Chung D14/228
6,219,429 B1 * 4/2001 Chung H04R 1/08
248/324
D441,354 S * 5/2001 Jing D14/228
D443,493 S * 6/2001 Skeem D8/72
D447,131 S * 8/2001 Hough D14/228
D448,364 S * 9/2001 Chung D14/228
D457,876 S * 5/2002 Chung D14/228
6,459,801 B1 * 10/2002 Ming-Cheng H04R 1/08
381/363
D475,038 S * 5/2003 Jarodsky D14/228
D475,039 S * 5/2003 Thornton D14/228
6,671,382 B2 * 12/2003 Chen H01R 35/02
381/189
6,682,043 B1 * 1/2004 Hsieh H04R 1/083
248/618
6,751,317 B2 * 6/2004 Shima H01R 13/7033
379/438
D516,546 S * 3/2006 Sobol D14/228
D529,484 S * 10/2006 Probst D14/228
D535,645 S * 1/2007 Probst D14/225
D555,665 S * 11/2007 Yeo D14/496
D579,928 S * 11/2008 Murata D14/229
D594,856 S * 6/2009 Marshall D14/228
D603,849 S * 11/2009 Durrett D14/228
D604,274 S * 11/2009 Durrett D14/228
D618,222 S * 6/2010 Kallas D14/229

D649,960 S * 12/2011 Yoneda D14/225
8,076,889 B2 * 12/2011 Lai F16M 11/2021
318/575
D719,140 S * 12/2014 Sanhui D14/225
8,985,877 B1 * 3/2015 Brewer F16M 11/28
396/419
9,877,113 B2 * 1/2018 Akino H04R 7/122
D842,846 S * 3/2019 Mai D14/225
D849,721 S * 5/2019 Chen D14/227
D851,073 S * 6/2019 Tong D14/227
D873,812 S * 1/2020 Peters D14/253
D890,141 S * 7/2020 Chen D14/228
D890,732 S * 7/2020 Chen D14/227
D899,407 S 10/2020 Mai
D905,023 S 12/2020 Renwick
D917,429 S * 4/2021 Xiang D14/225
D917,430 S * 4/2021 Mai D14/225
D917,433 S * 4/2021 Wang D14/228
D918,184 S * 5/2021 Xiang D14/225
D918,186 S * 5/2021 Mai D14/227
D925,505 S * 7/2021 Wang D14/228
D925,506 S * 7/2021 Wang D14/228
2003/0001054 A1 * 1/2003 Sargent G10D 13/02
248/176.1
2003/0035561 A1 * 2/2003 Hsieh H04R 1/08
381/361
2007/0138358 A1 * 6/2007 Chang F16M 13/022
248/205.5
2008/0061197 A1 * 3/2008 Carnevali F16M 11/2078
248/181.1
2008/0295301 A1 * 12/2008 Carnevali F16B 2/065
24/525
2012/0126075 A1 * 5/2012 Chinn A61G 1/052
248/221.11
2013/0148951 A1 * 6/2013 Zhang G03B 17/561
396/428
2018/0262842 A1 * 9/2018 Komatsu H04R 9/08
2018/0376250 A1 * 12/2018 Chiang H04R 5/027
2021/0033950 A1 * 2/2021 Thomas F16M 11/2078

FOREIGN PATENT DOCUMENTS

CN 306085559 * 10/2020
CN 306149396 * 11/2020
CN 306203680 * 12/2020
CN 306341889 * 2/2021
CN 306730442 * 8/2021
CN 306738254 * 8/2021
CN 306760861 * 8/2021
GB 6138668 * 5/2021

* cited by examiner

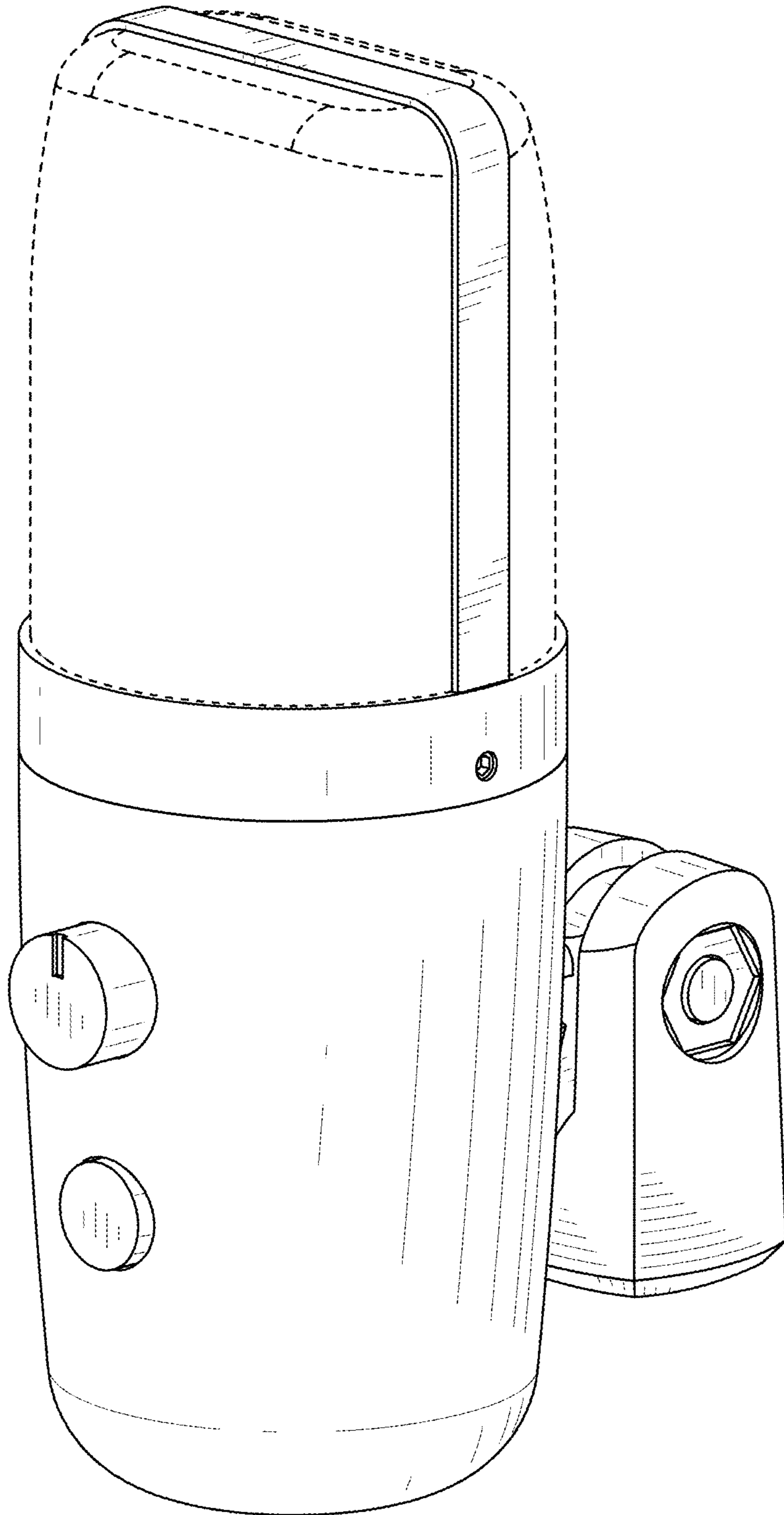


FIG. 1

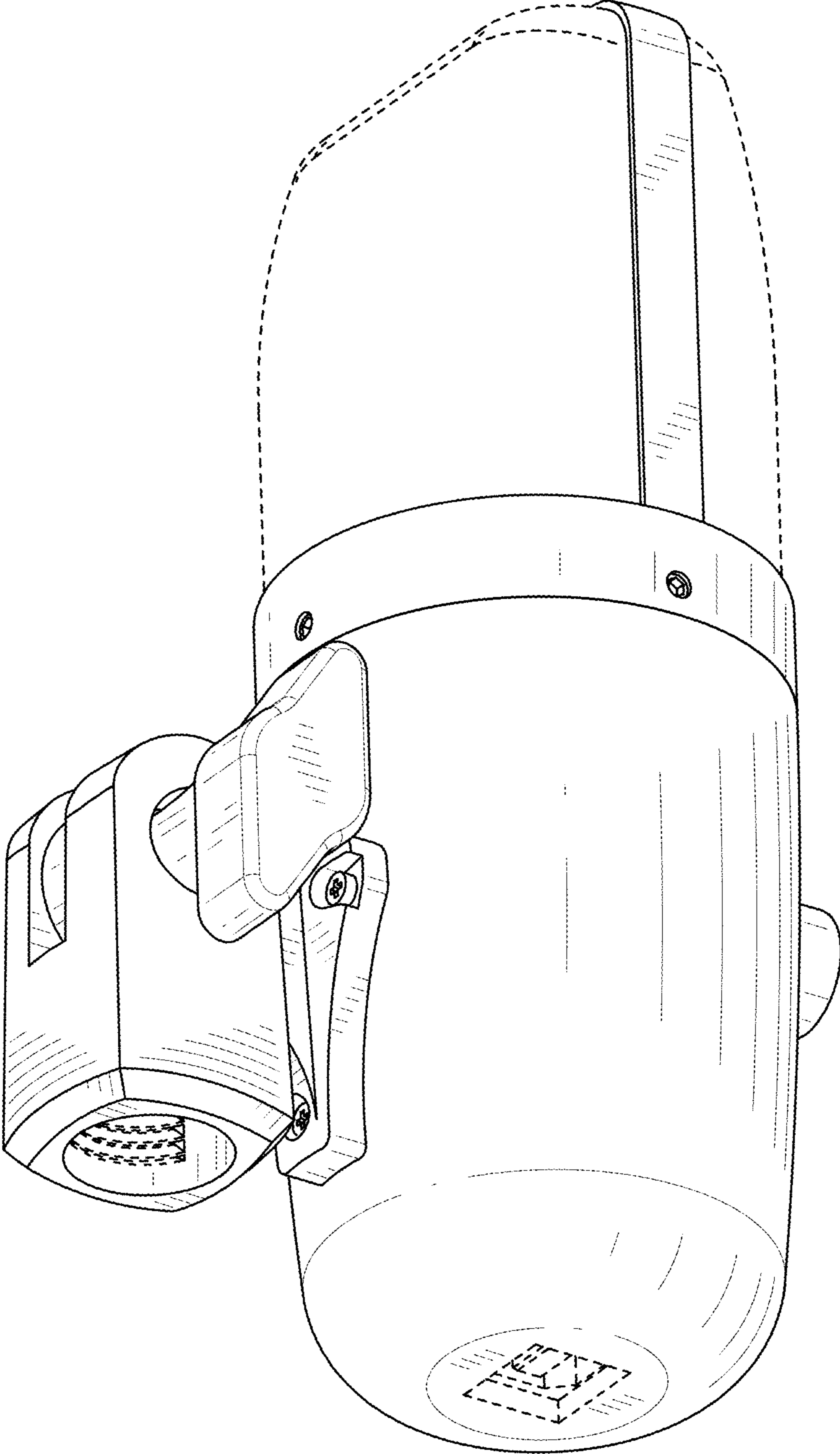


FIG.2

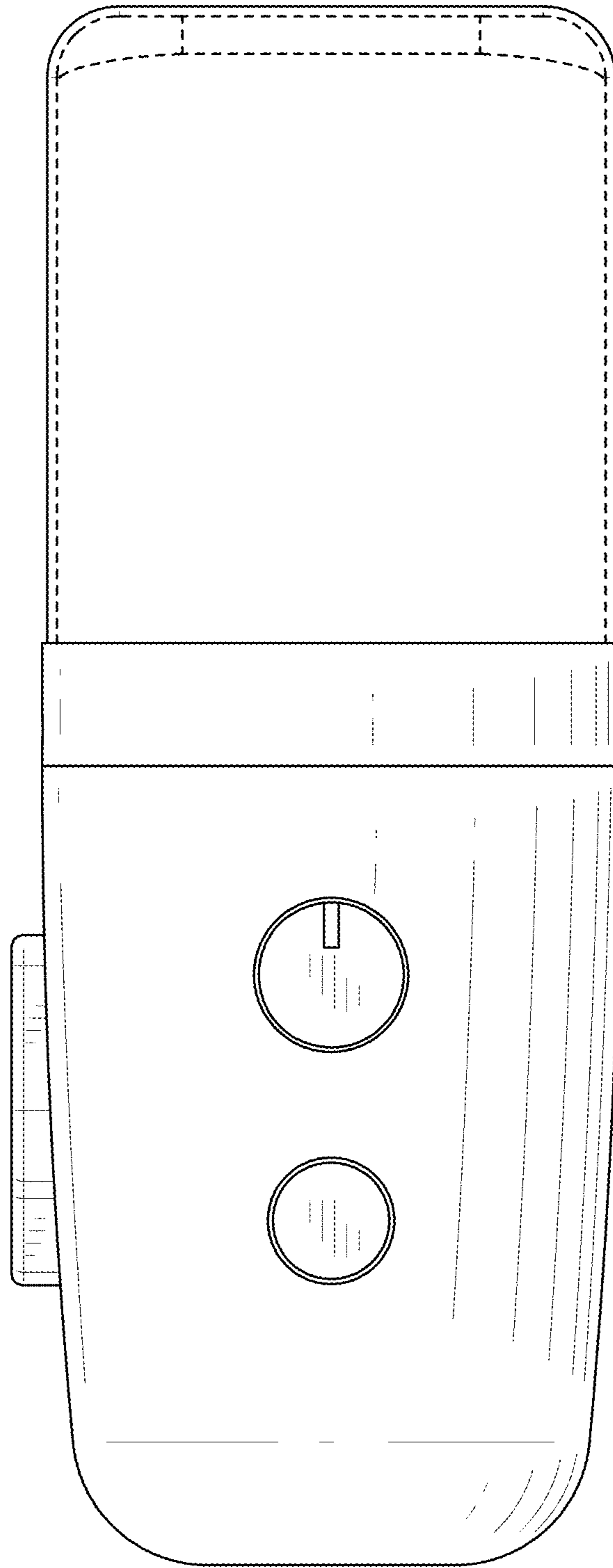


FIG.3

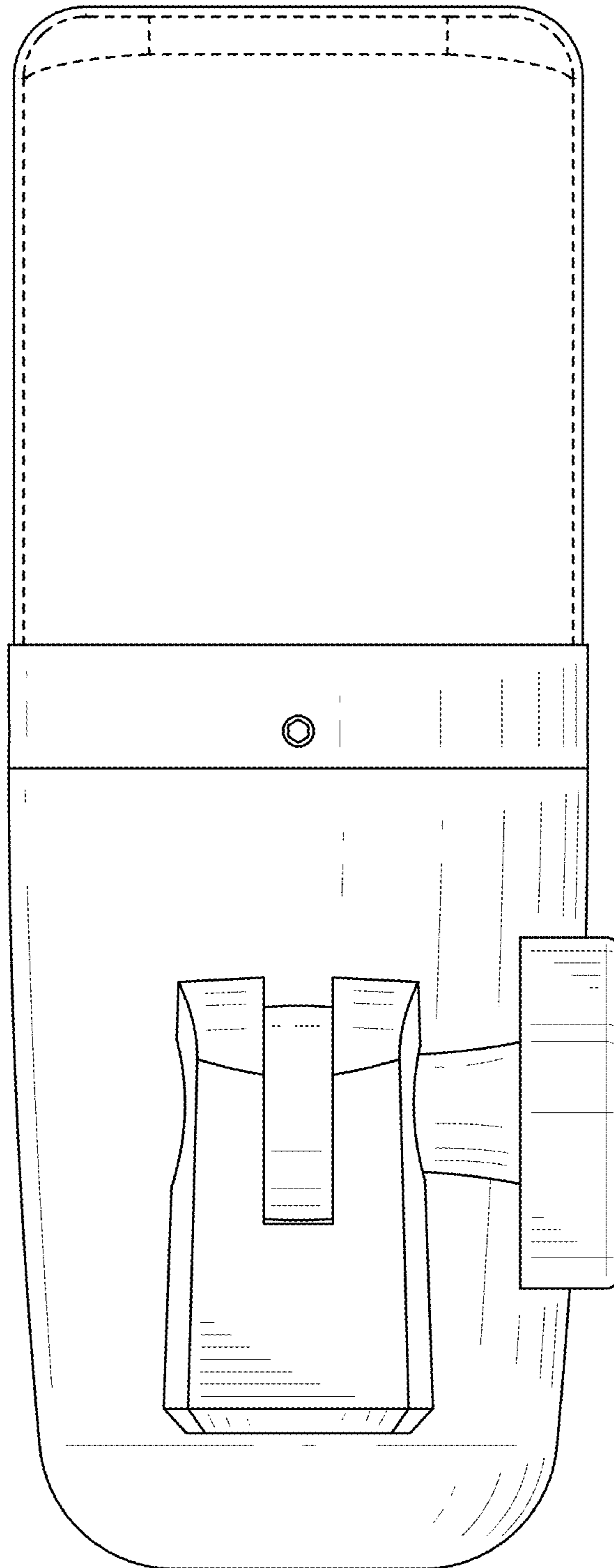


FIG.4

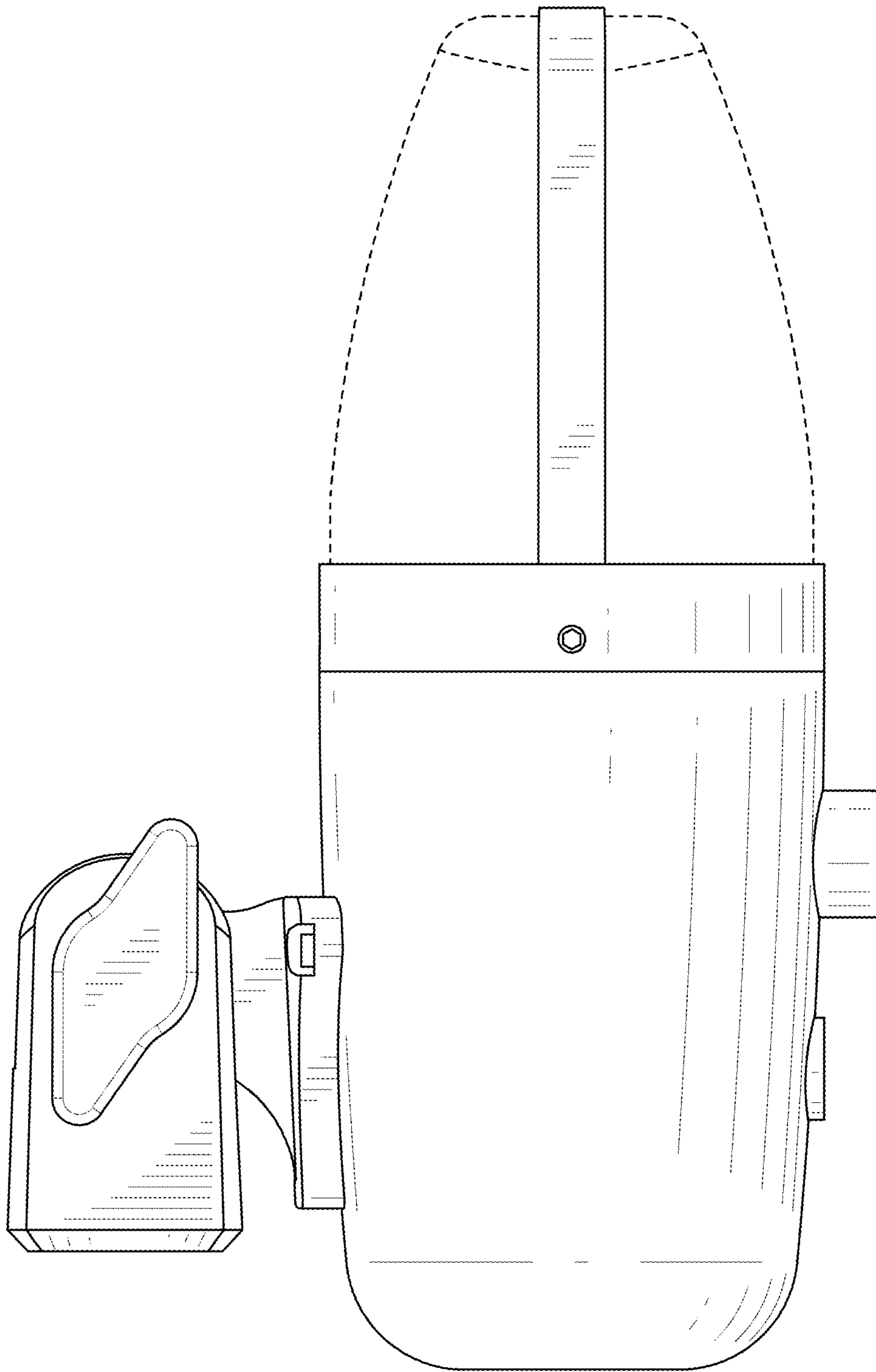


FIG.5

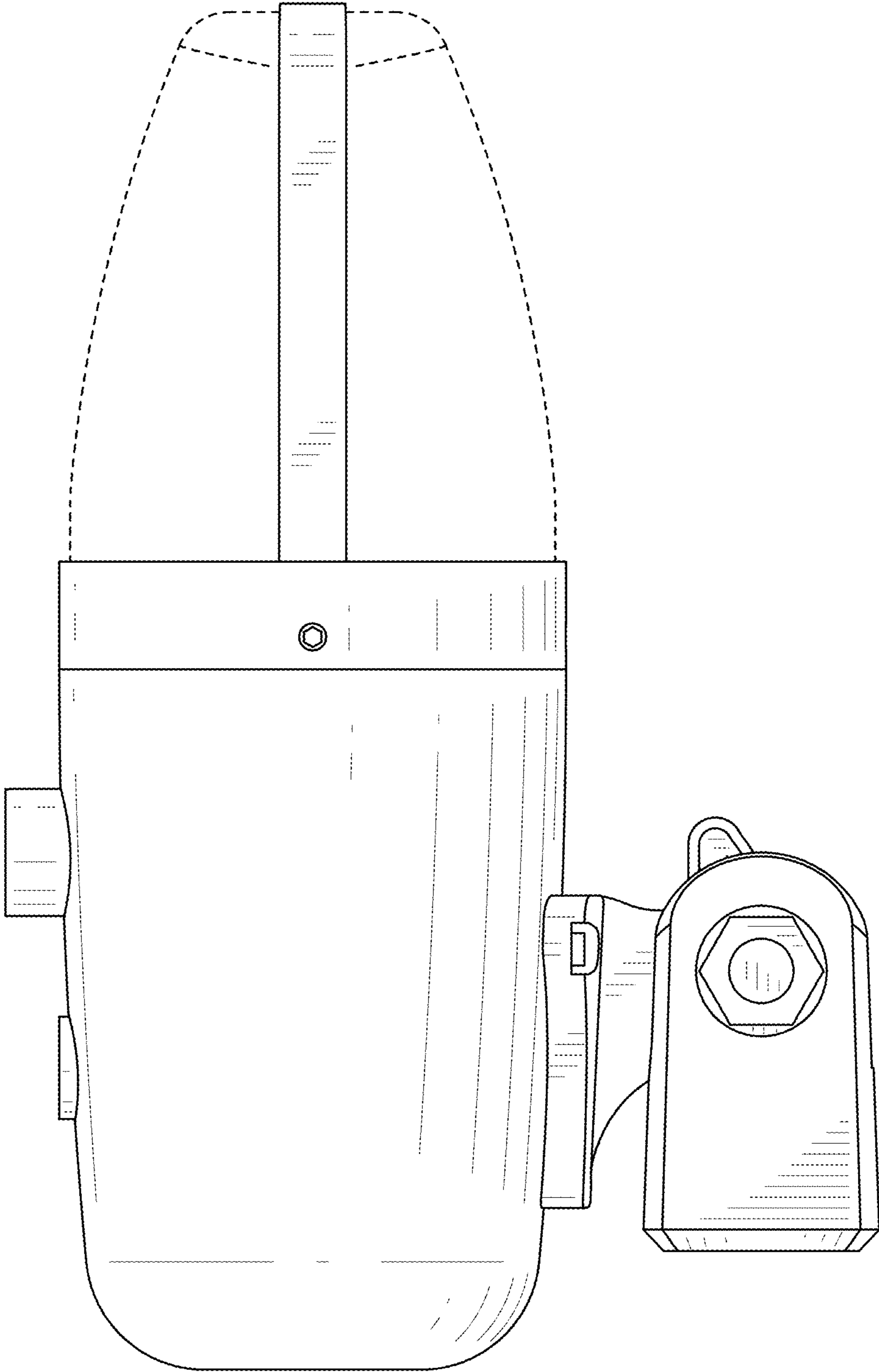


FIG.6

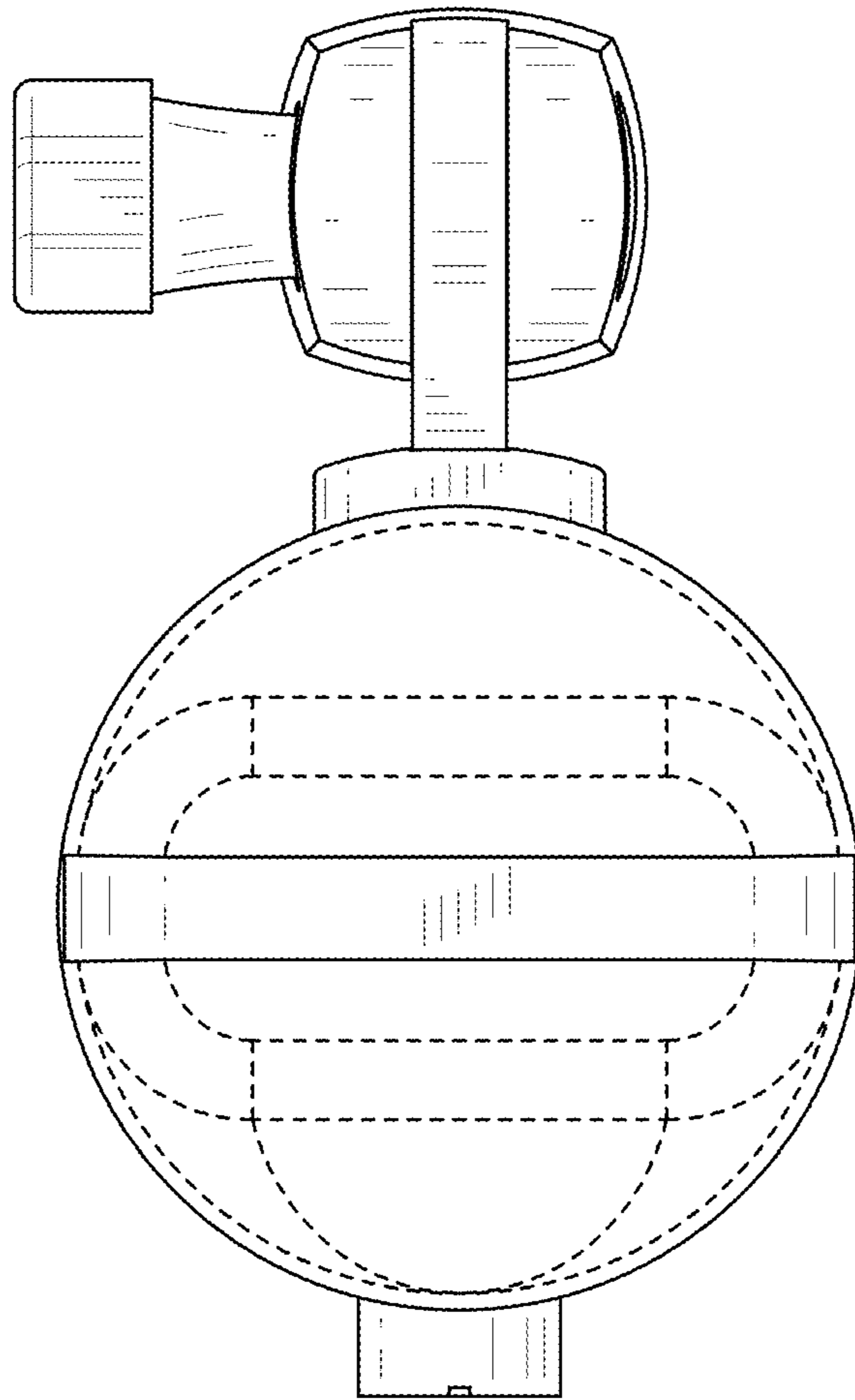


FIG.7

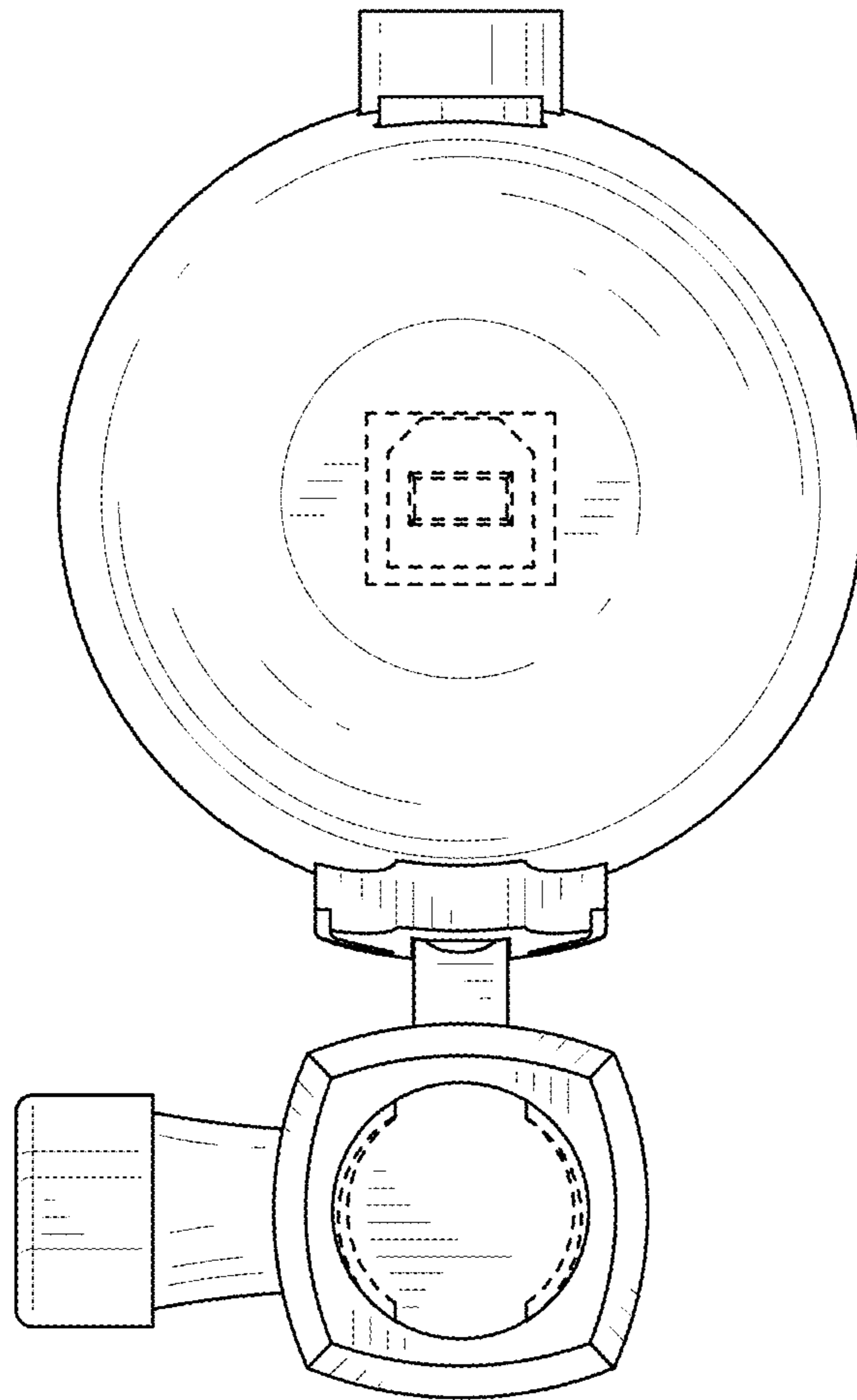


FIG.8