



US00D933639S

(12) **United States Design Patent**
Joo et al.

(10) **Patent No.:** **US D933,639 S**

(45) **Date of Patent:** **** Oct. 19, 2021**

(54) **BASKET FOR A WALL WITH BUILT-IN HOME APPLIANCES**

CPC H01H 9/52; H01H 45/04; H01H 45/12;
H01H 50/12; H05B 2203/026
See application file for complete search history.

(71) Applicant: **LG ELECTRONICS INC.**, Seoul (KR)

(56) **References Cited**

(72) Inventors: **Junghyun Joo**, Seoul (KR); **Junghan Ryu**, Seoul (KR); **Yunjoo Kim**, Seoul (KR); **Taeho Kim**, Seoul (KR); **Kisang Jung**, Seoul (KR); **Hwasuk Shim**, Seoul (KR); **Youngkyoung Kim**, Seoul (KR); **Jipyo Hong**, Seoul (KR); **Chulmin Lim**, Seoul (KR); **Bumsang Lee**, Seoul (KR); **Mijin Jung**, Seoul (KR); **Jaemyo Shim**, Seoul (KR); **Junki Kim**, Seoul (KR)

U.S. PATENT DOCUMENTS

D255,234 S * 6/1980 Wellward 181/150
D303,391 S * 9/1989 Stallings, Jr. D14/209
D669,075 S * 10/2012 Seo D14/371
D865,723 S * 11/2019 Cho H04R 31/00
D14/225

(Continued)

Primary Examiner — Michael C Stout
Assistant Examiner — Fritzgerald L Butac
(74) *Attorney, Agent, or Firm* — Birch, Stewart, Kolasch & Birch, LLP

(73) Assignee: **LG ELECTRONICS INC.**, Seoul (KR)

(57) **CLAIM**

(**) Term: **15 Years**

The ornamental design for a basket for a wall with built-in home appliances, as shown and described.

(21) Appl. No.: **29/732,555**

DESCRIPTION

(22) Filed: **Apr. 24, 2020**

(30) **Foreign Application Priority Data**

Nov. 7, 2019 (KR) 30-2019-0053056

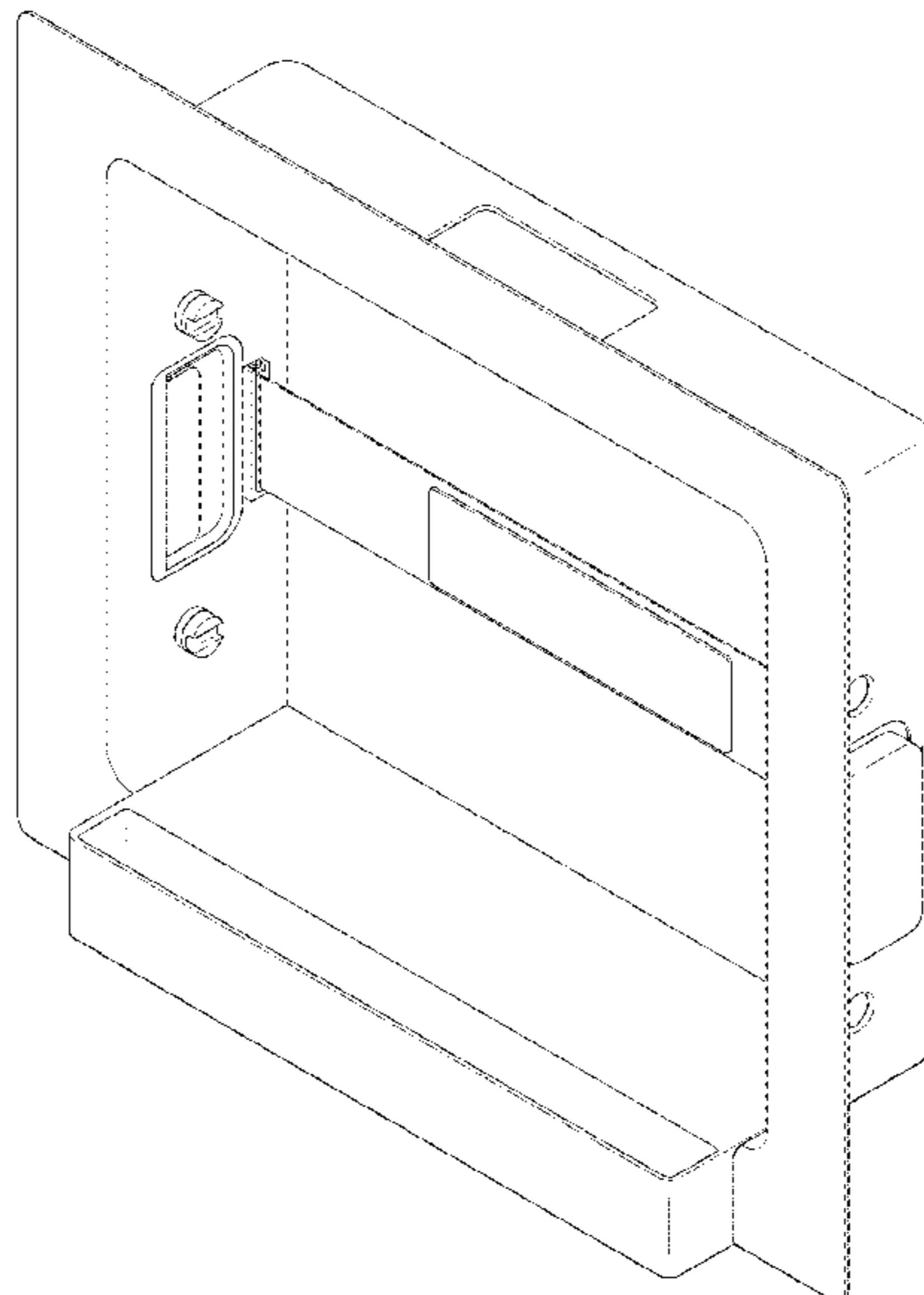
(51) **LOC (13) Cl.** **14-01**

(52) **U.S. Cl.**
USPC **D14/229**; D14/209

(58) **Field of Classification Search**
USPC D8/349, 354, 355, 374, 381, 400, 499;
D14/125–129, 133, 140, 217, 224, 224.1,
D14/229, 238, 238.1, 239, 299, 317, 331,
D14/336, 337, 341, 371–376, 389, 432,
D14/433, 434, 496, 511; D15/138;
D23/217, 351–355, 357, 361, 385;
D25/61, 118, 126, 131, 141, 156, 161,
D25/162, 199

FIG. 1 is a front perspective view of the basket for a wall with built-in home appliances showing our new design;
FIG. 2 is a front view thereof;
FIG. 3 is a rear view thereof;
FIG. 4 is a left side view thereof where the right side view is a mirror image;
FIG. 5 is a top plan view thereof;
FIG. 6 is a bottom view thereof;
FIG. 7 is a reference view showing the state of use that the belt which is equipped in the internal has been detached; and,
FIG. 8 is a reference view showing the state of use that the internal goods has been stably fixed and stored by using the belt.
The broken lines are for the purpose of showing environmental structure, and form no part of the claimed design.

1 Claim, 8 Drawing Sheets



(56)

References Cited

U.S. PATENT DOCUMENTS

D900,070 S * 10/2020 Lantz D14/229
D900,071 S * 10/2020 Lantz D14/229
D900,072 S * 10/2020 Lantz D14/229
2020/0344910 A1 * 10/2020 Joo E04C 2/46

* cited by examiner

FIG. 1

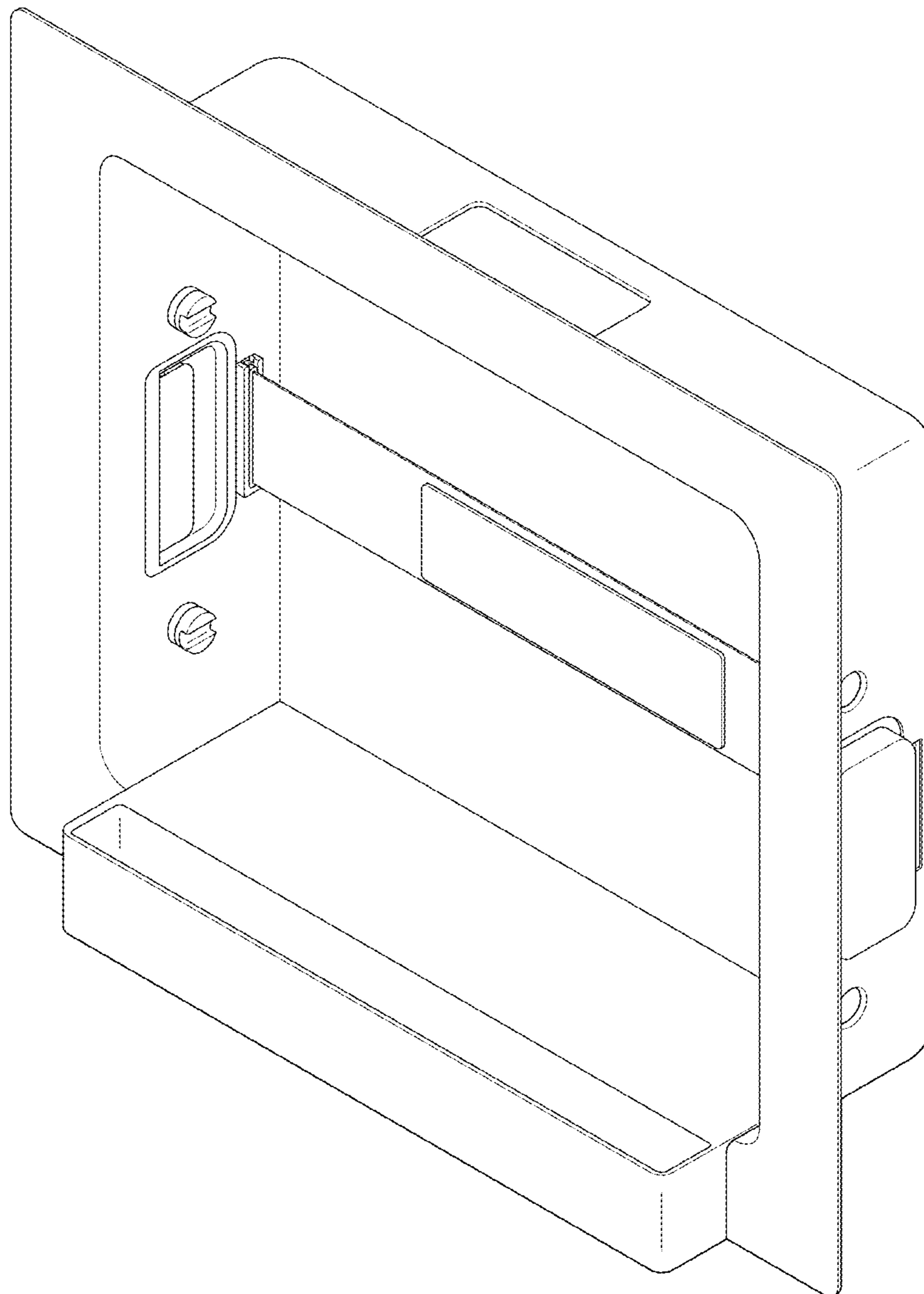


FIG. 2

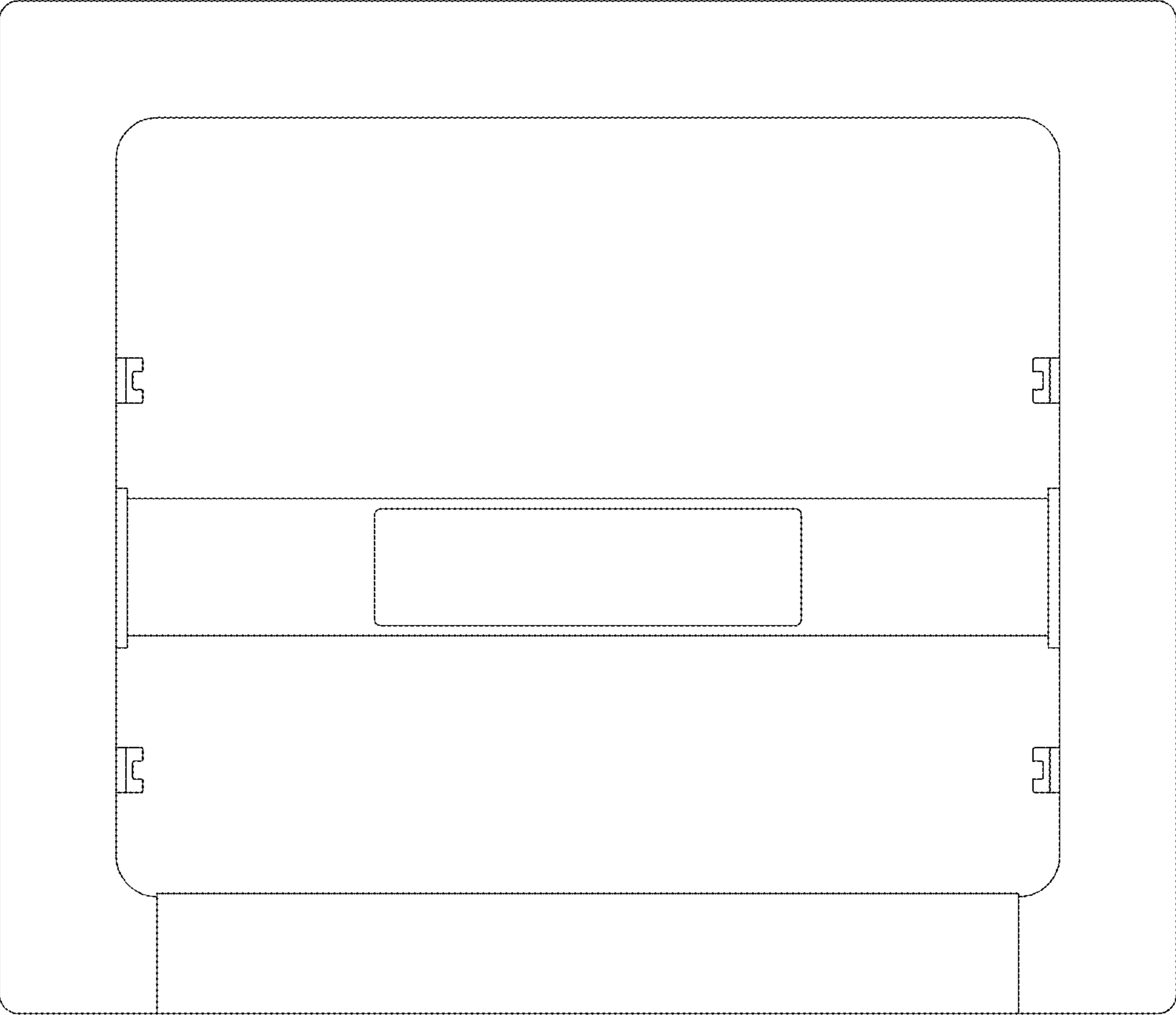


FIG. 3

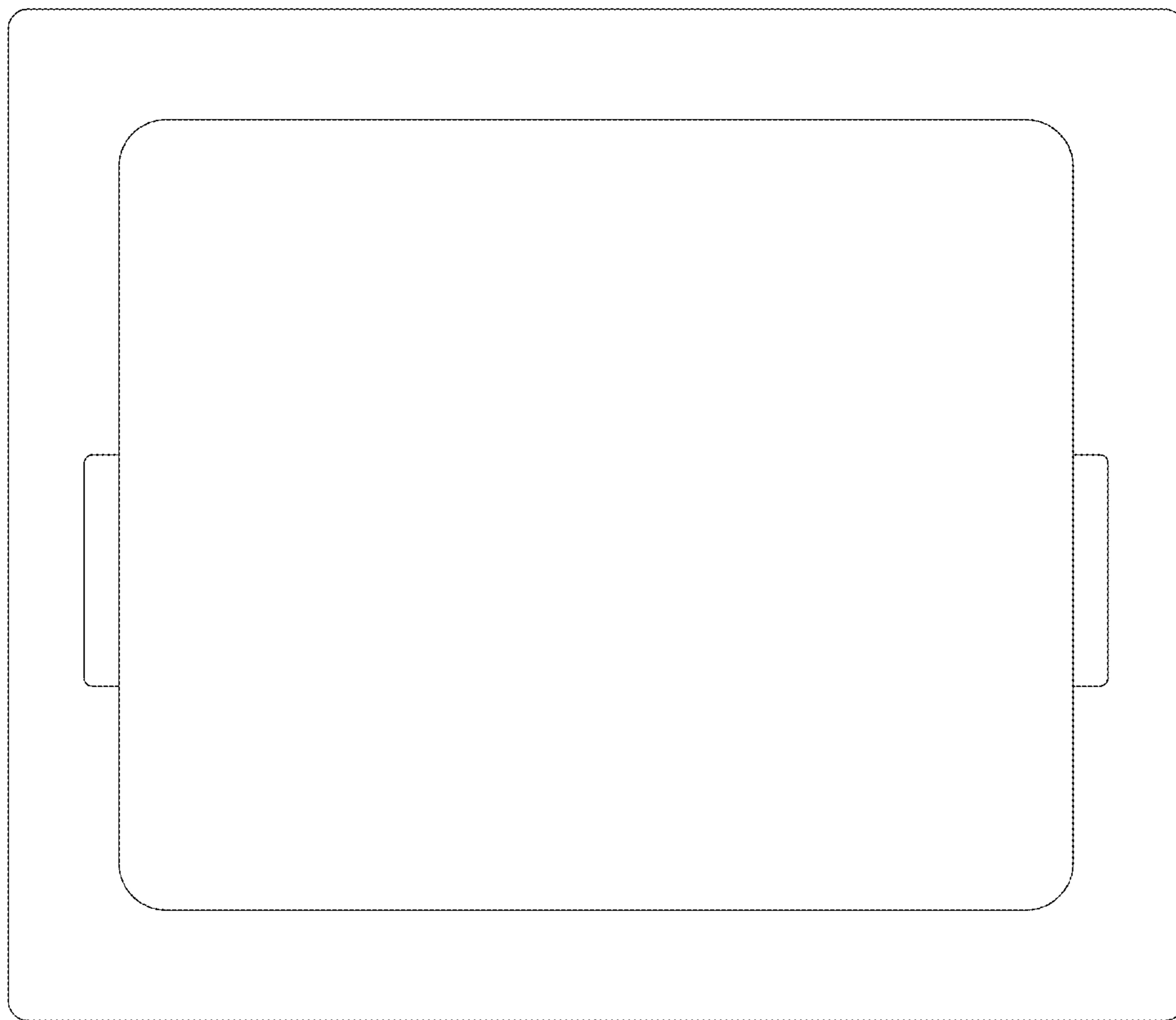


FIG. 4

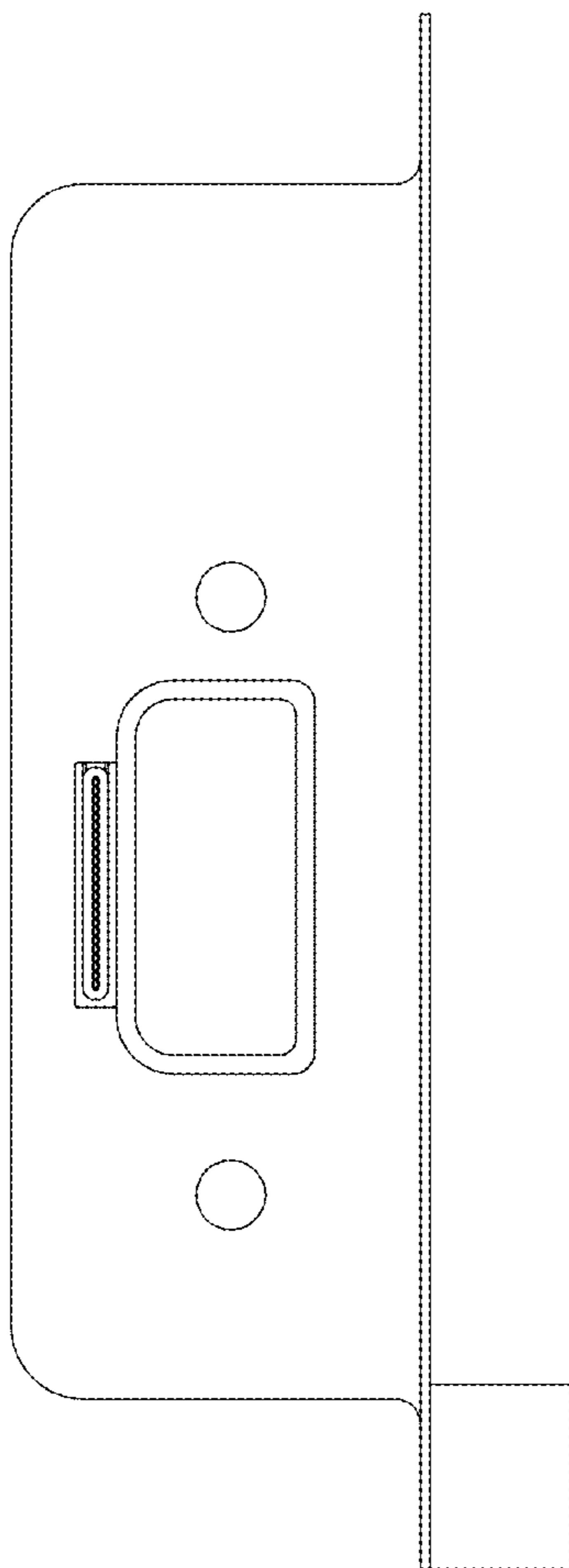


FIG. 5

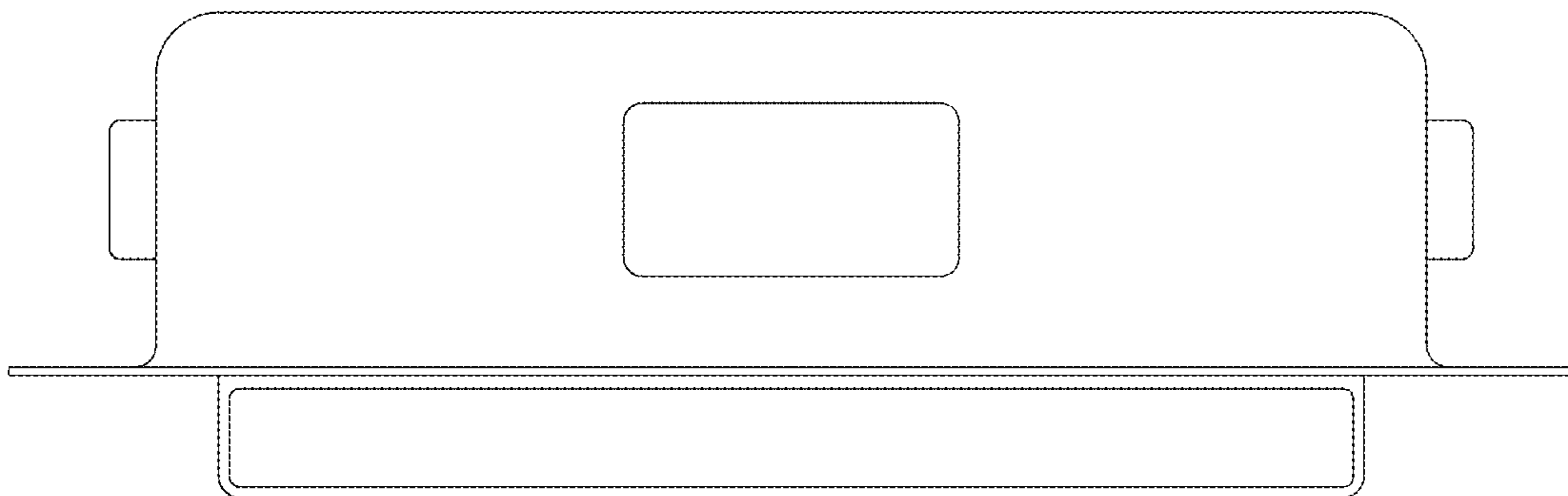


FIG. 6

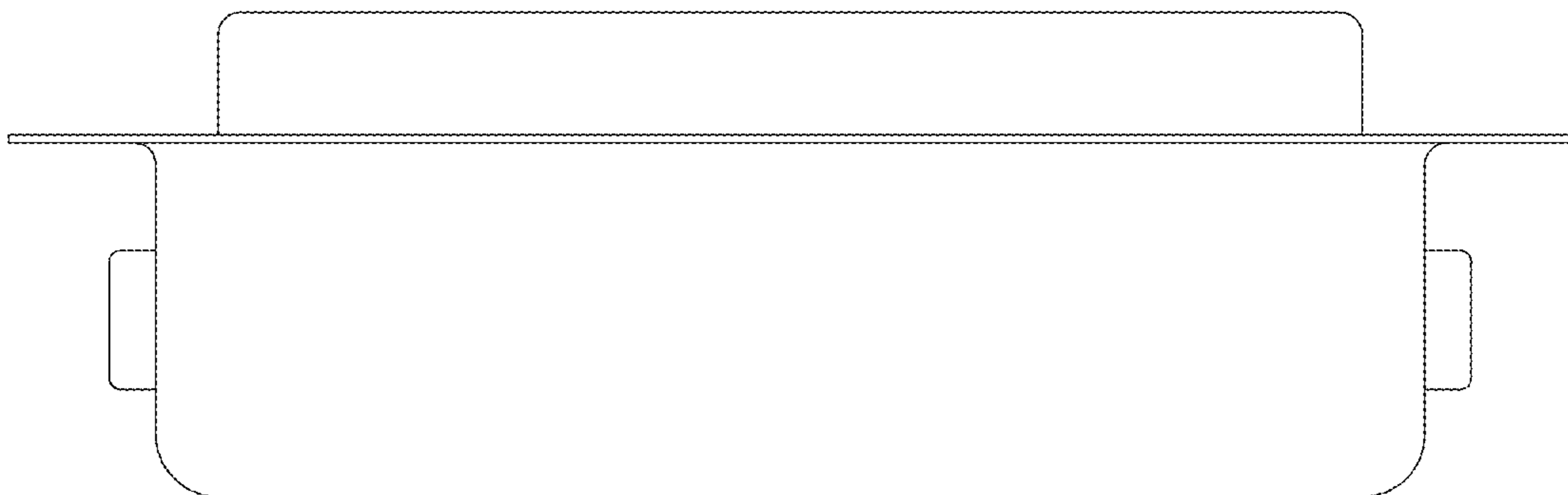


FIG. 7

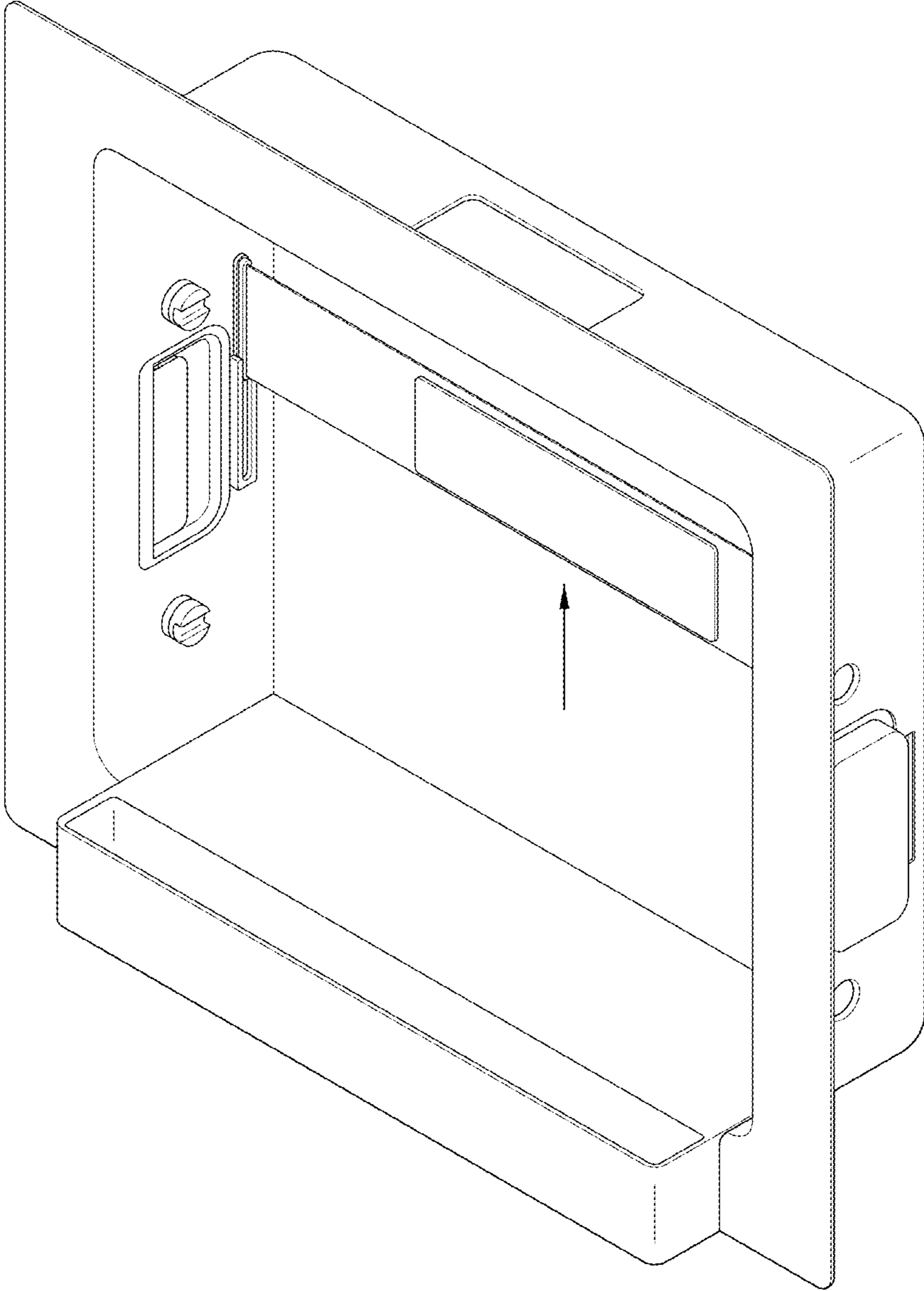


FIG. 8

