



US00D933637S

(12) **United States Design Patent**
Kelley

(10) **Patent No.:** **US D933,637 S**

(45) **Date of Patent:** **** Oct. 19, 2021**

(54) **BASE CRADLE FOR A COMMUNICATIONS HEADSET**

(71) Applicant: **Plantronics, Inc.**, Santa Cruz, CA (US)

(72) Inventor: **John A. Kelley**, Santa Cruz, CA (US)

(73) Assignee: **Plantronics, Inc.**, Santa Cruz, CA (US)

(**) Term: **15 Years**

(21) Appl. No.: **29/750,048**

(22) Filed: **Sep. 10, 2020**

Related U.S. Application Data

(62) Division of application No. 29/663,293, filed on Sep. 13, 2018, now Pat. No. Des. 898,000.

(51) **LOC (13) Cl.** **14-01**

(52) **U.S. Cl.**
USPC **D14/224**

(58) **Field of Classification Search**
USPC D14/224, 223, 168, 149, 217, 240, 251, D14/434; D13/108; D16/219; 320/110, 320/113; 381/333; 361/679.41; 439/534; 379/420.01-420.04; 455/90.3, 455/575.1, 569.1
CPC G06F 1/16; H04R 1/1025; H04R 1/105; H04R 25/00; H04R 1/10; H04R 1/1008; H04R 9/06
See application file for complete search history.

(56) **References Cited**

U.S. PATENT DOCUMENTS

- 3,348,116 A * 10/1967 Freeman H01R 24/68 320/115
- D277,662 S 2/1985 Huntington et al.
- D291,300 S 8/1987 Chaney
- D319,061 S 8/1991 Powell et al.

5,052,943 A * 10/1991 Davis G06F 1/1632 439/357

D335,861 S * 5/1993 Tattari D13/108

5,347,208 A 9/1994 Iida

(Continued)

FOREIGN PATENT DOCUMENTS

TW	D262338	11/1995
TW	D127398 S	2/2009
TW	D136572 S	8/2010

OTHER PUBLICATIONS

English translation of Taiwan IPO Search Report, issued in Taiwan Design Application No. 097300593, dated Nov. 22, 2008, 1 page.

(Continued)

Primary Examiner — Paula Allen Greene

(74) *Attorney, Agent, or Firm* — Ferguson Braswell
Fraser Kubasta PC

(57) **CLAIM**

The ornamental design for a base cradle for a communications headset, as shown and described.

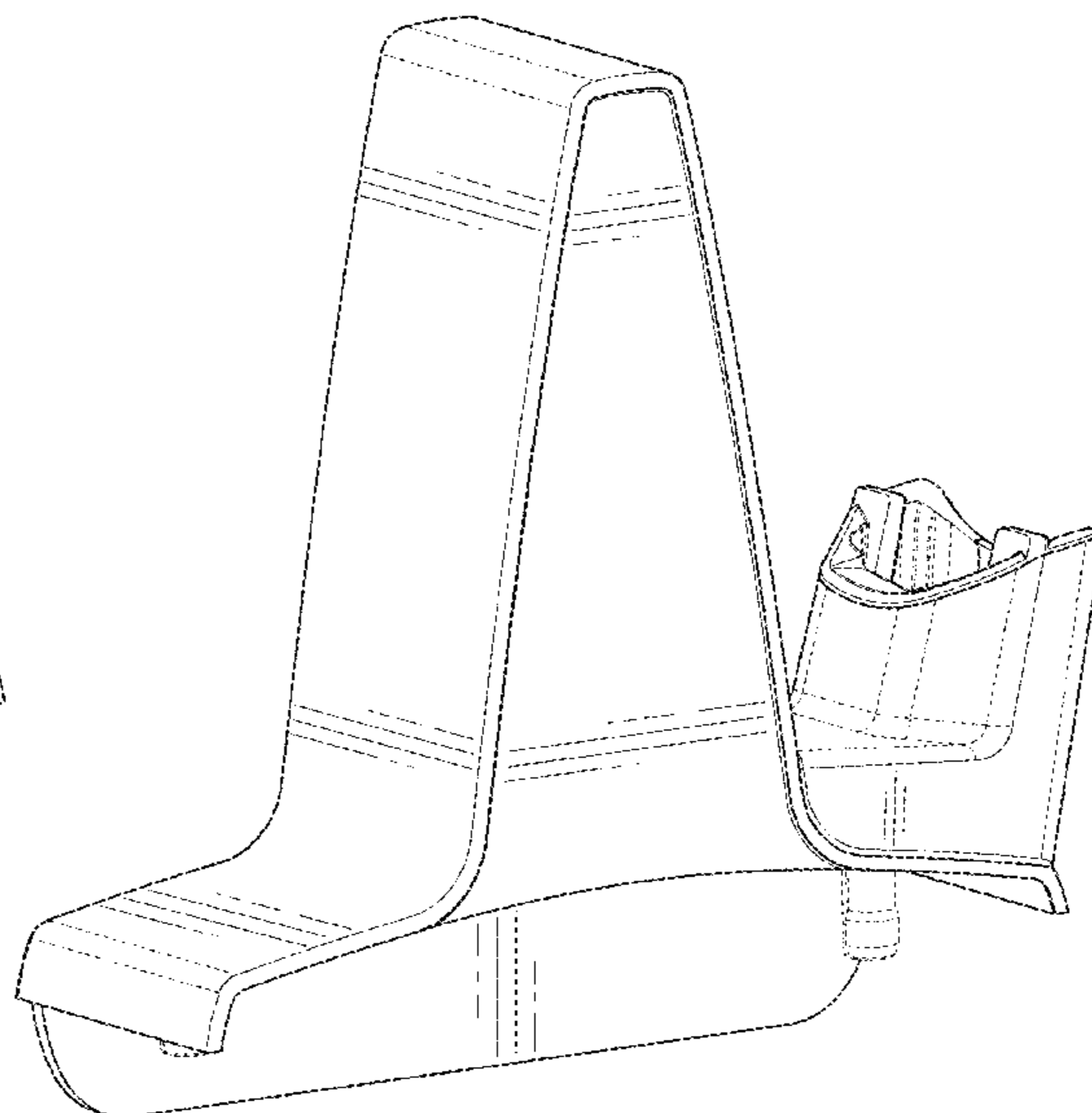
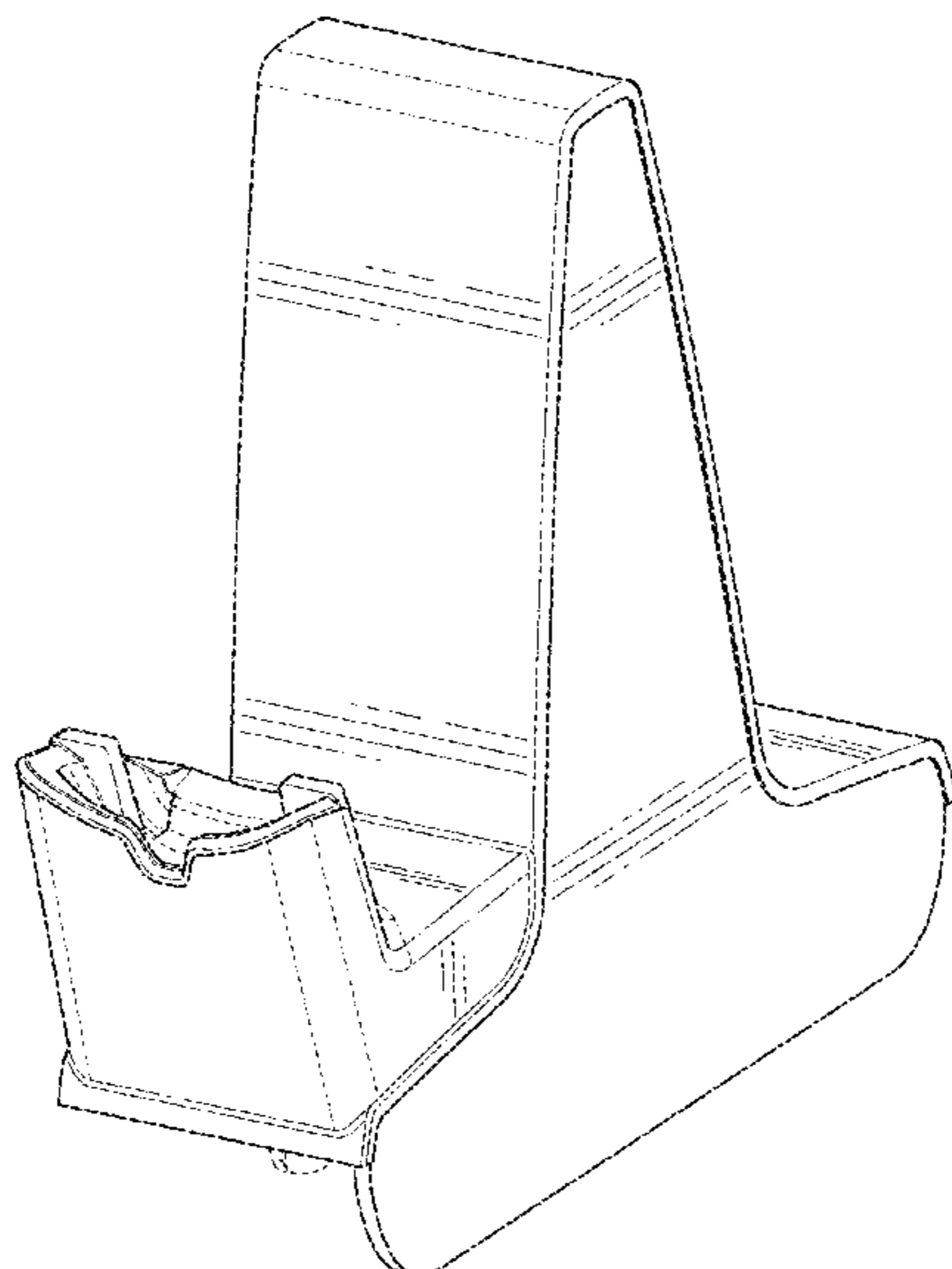
DESCRIPTION

FIG. 1 is a front-right perspective view of a base cradle for a communications headset showing my new design; FIG. 2 is a back-top-left perspective view thereof; FIG. 3 is a front view thereof; FIG. 4 is a back view thereof; FIG. 5 is a left side view thereof; FIG. 6 is a right side view thereof; FIG. 7 is a top view thereof; and, FIG. 8 is a bottom view thereof.

In the drawings, the claimed design is defined by the shaded surfaces. The broken lines shown in dot-dot form depict unclaimed features and environment that form no part of the claimed design.

The remaining broken lines are shading or contour lines and are not actually visible on the surface.

1 Claim, 8 Drawing Sheets



(56)

References Cited

U.S. PATENT DOCUMENTS

D353,371 S 12/1994 Delhaes
 5,656,914 A 8/1997 Nagele et al.
 5,659,236 A * 8/1997 Hahn H02J 7/0042
 320/111
 D419,160 S * 1/2000 Davidson D14/137
 D420,974 S * 2/2000 Minagawa D13/108
 D442,141 S * 5/2001 Ikenaga D13/107
 6,301,106 B1 * 10/2001 Helot G06F 1/1632
 320/107
 D453,155 S * 1/2002 Michel D14/253
 D463,361 S 9/2002 Ruohonen
 D471,548 S * 3/2003 Zheng D14/253
 6,608,749 B2 * 8/2003 Hubbard F16M 11/046
 248/920
 D517,053 S 3/2006 Ham
 D517,519 S 3/2006 Skulley et al.
 D519,975 S 5/2006 Skulley et al.
 D520,013 S * 5/2006 Yang D14/434
 D522,087 S 5/2006 Larsen
 D522,963 S 6/2006 Hayes et al.
 D523,412 S 6/2006 Ham
 D523,847 S * 6/2006 Naruki D13/108
 D524,729 S 7/2006 Hussaini et al.
 D525,193 S 7/2006 Vu
 D532,746 S 11/2006 Meyers et al.
 D535,612 S 1/2007 Chien
 D540,816 S 4/2007 Kim
 D549,646 S 8/2007 Sade et al.
 D551,214 S 9/2007 Hussaini et al.
 D551,216 S 9/2007 Wei
 D551,617 S 9/2007 Houghton
 D552,087 S 10/2007 Wei
 D557,693 S 12/2007 Kim et al.
 D564,501 S 3/2008 Rath
 D566,697 S 4/2008 Nielsen et al.
 D582,901 S 12/2008 Bentley et al.

D587,683 S 3/2009 Ham et al.
 D589,031 S 3/2009 Bentley et al.
 D590,369 S 4/2009 Gonser et al.
 D593,988 S 6/2009 Liu et al.
 D599,331 S * 9/2009 Bentley D14/224
 D602,008 S * 10/2009 Bentley D14/205
 D602,917 S * 10/2009 Bentley D14/224
 D643,834 S * 8/2011 Bentley D14/224
 D644,645 S * 9/2011 Huang D14/434
 D645,027 S * 9/2011 Gougherty D14/224
 D669,888 S * 10/2012 Gougherty D14/224
 D674,336 S * 1/2013 Suzuka D13/108
 D675,155 S * 1/2013 Smith D13/108
 8,838,029 B2 * 9/2014 Goldman H04M 1/6033
 455/41.2
 D729,248 S * 5/2015 Porter D14/434
 D742,885 S * 11/2015 Chen D14/434
 D765,623 S * 9/2016 Yang D14/224
 D771,635 S * 11/2016 Kuo D14/457
 D789,886 S * 6/2017 Socha-Leialoha D13/108
 D817,874 S * 5/2018 Tsai D13/108
 D835,611 S * 12/2018 Yun D14/224
 D854,520 S * 7/2019 Tong D14/224
 D855,038 S * 7/2019 Hu D14/224
 D866,533 S * 11/2019 Chong D14/224
 D898,000 S * 10/2020 Kelley D14/224
 D905,021 S * 12/2020 Wengreen D14/224
 2002/0032041 A1 * 3/2002 Hirai B60R 11/0241
 455/557
 2019/0222916 A1 * 7/2019 Kim H04R 1/1008
 2020/0007971 A1 * 1/2020 Park H01M 10/0585

OTHER PUBLICATIONS

English translation of Taiwan IPO Search Report, issued in Taiwan
 Design Application No. 108301394, dated Sep. 7, 2019, 1 page.
 English translation of Taiwan IPO Search Report, issued in Taiwan
 Design Application No. 108301393, dated Sep. 7, 2019, 1 page.

* cited by examiner

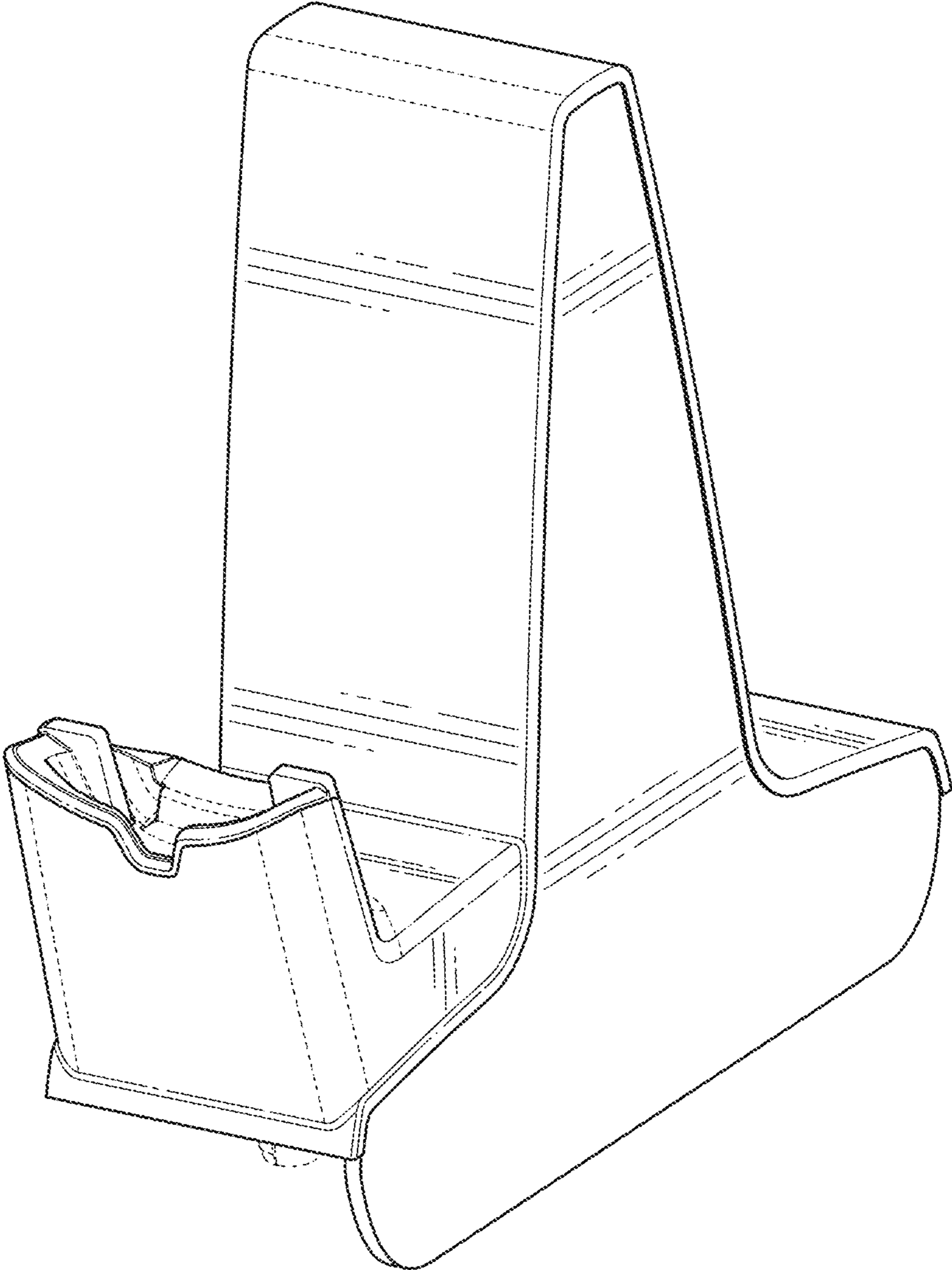


FIG. 1

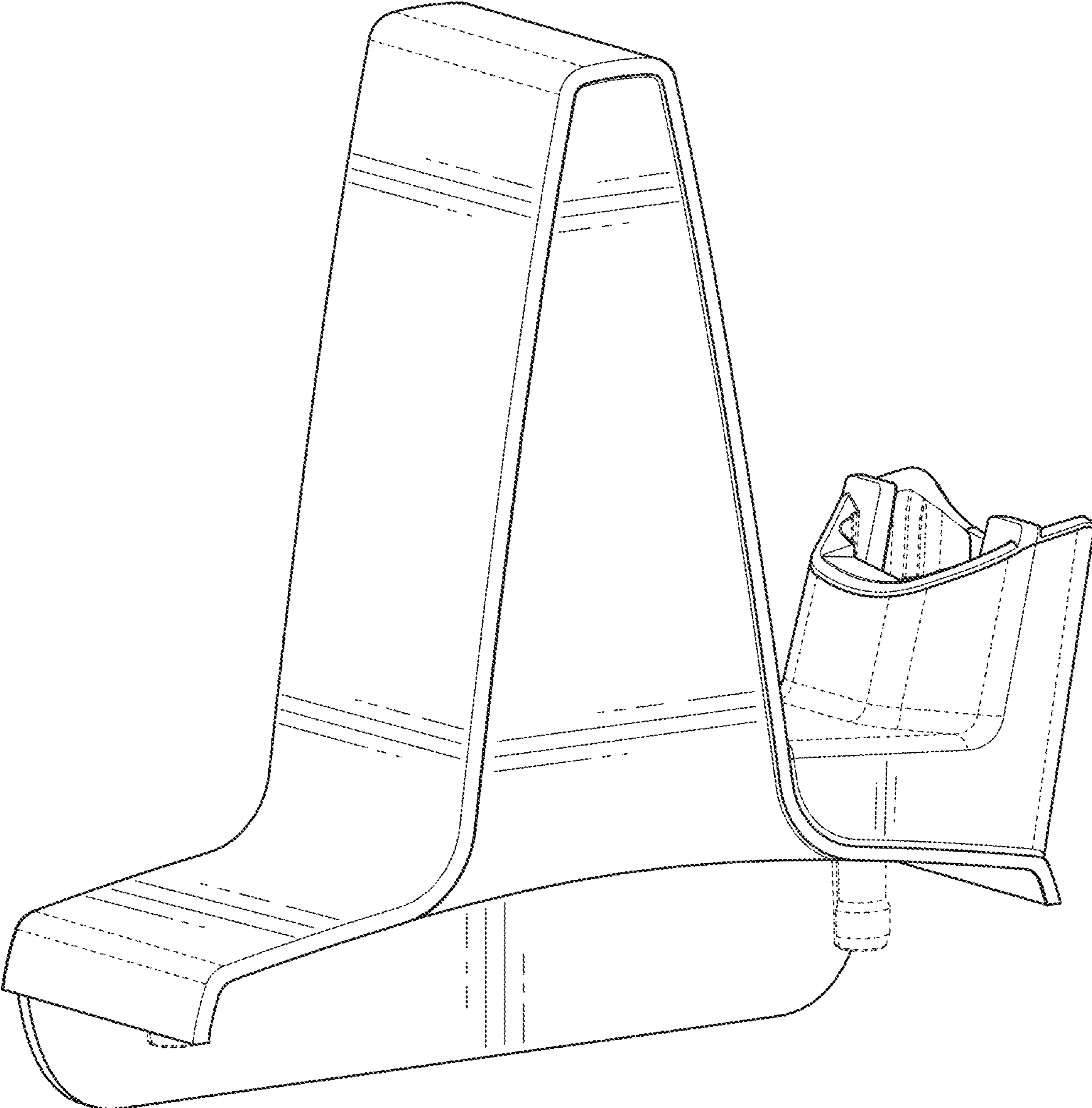


FIG. 2

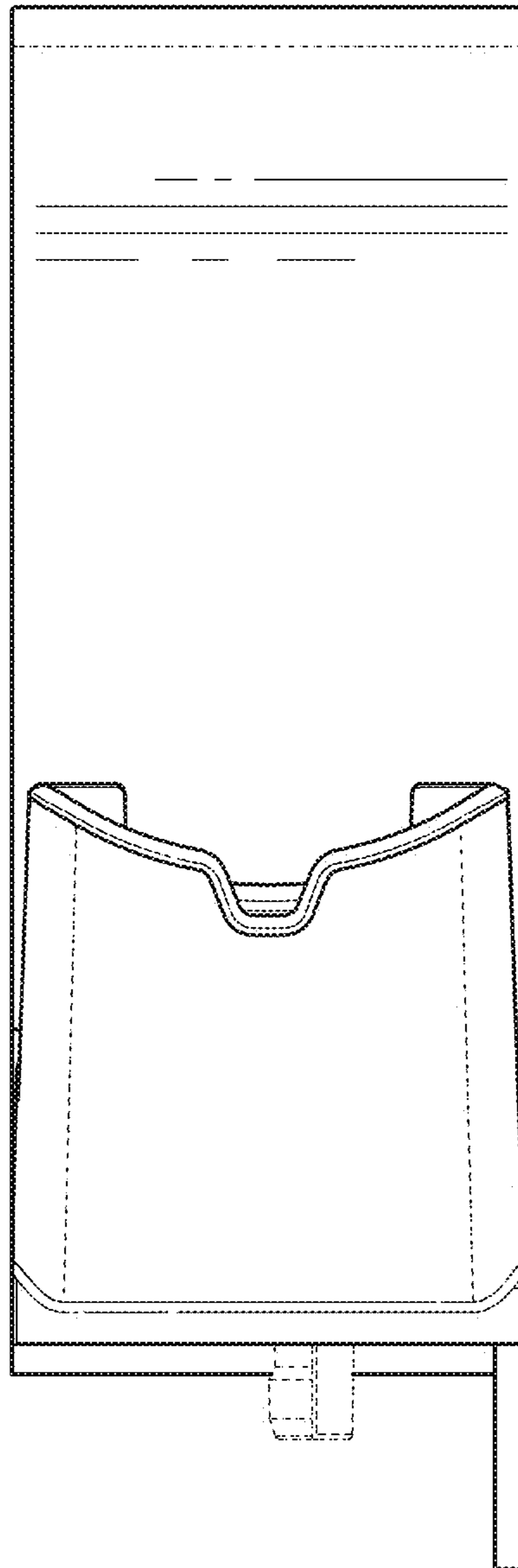


FIG. 3

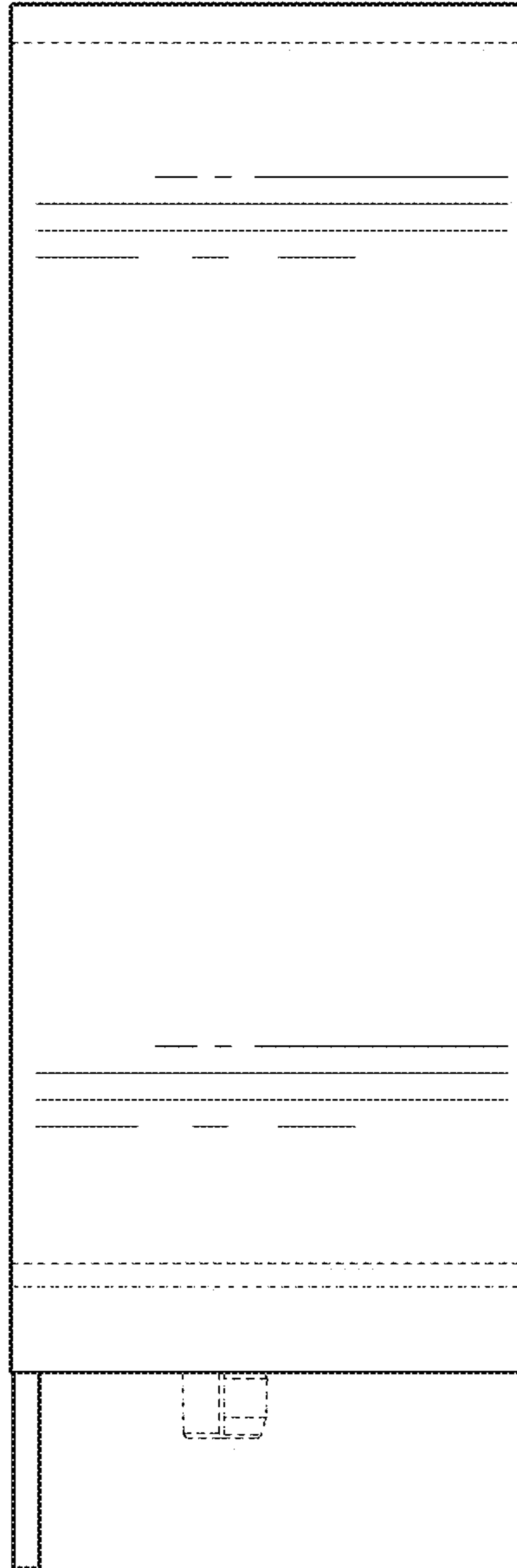


FIG. 4

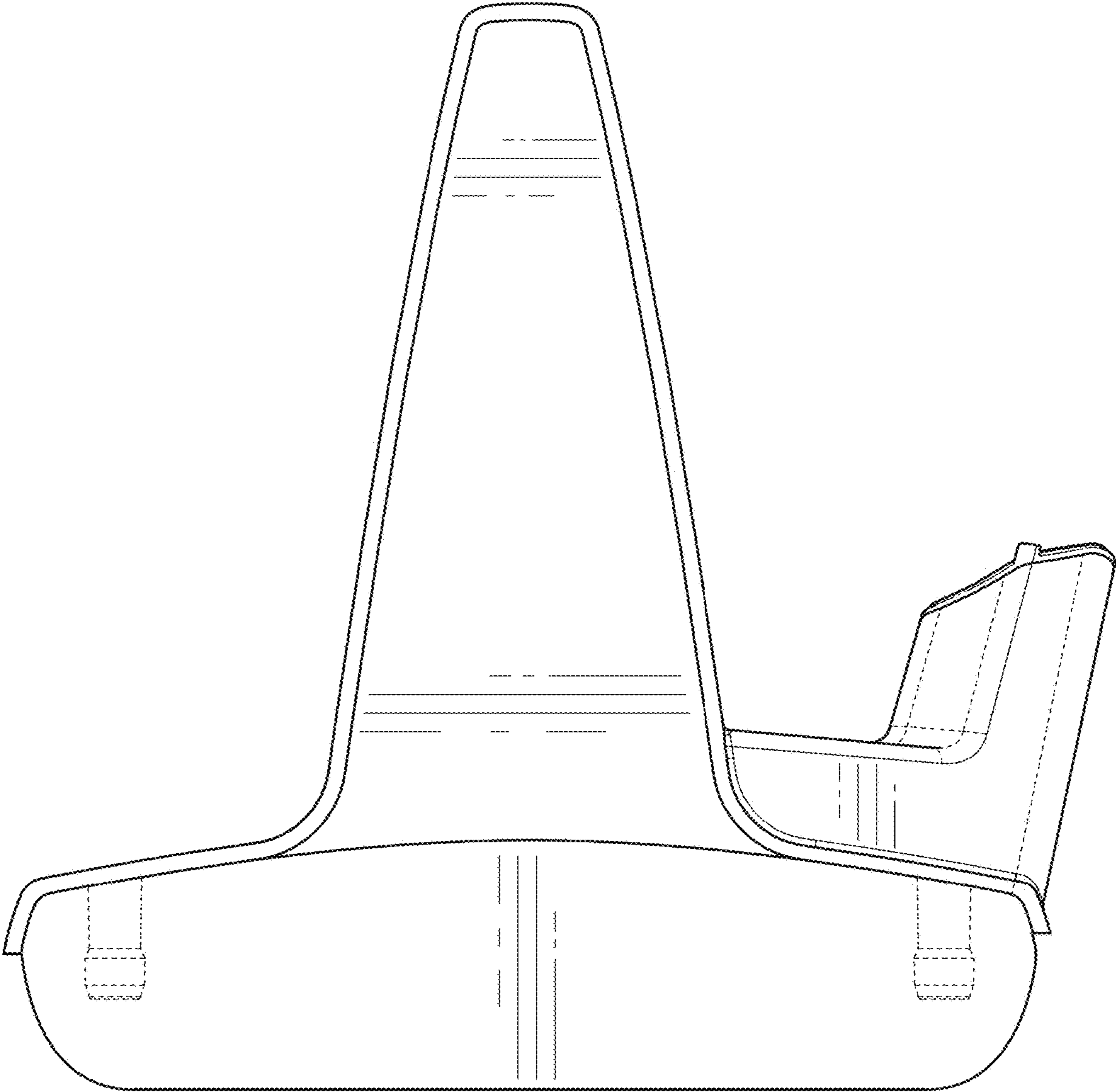


FIG. 5

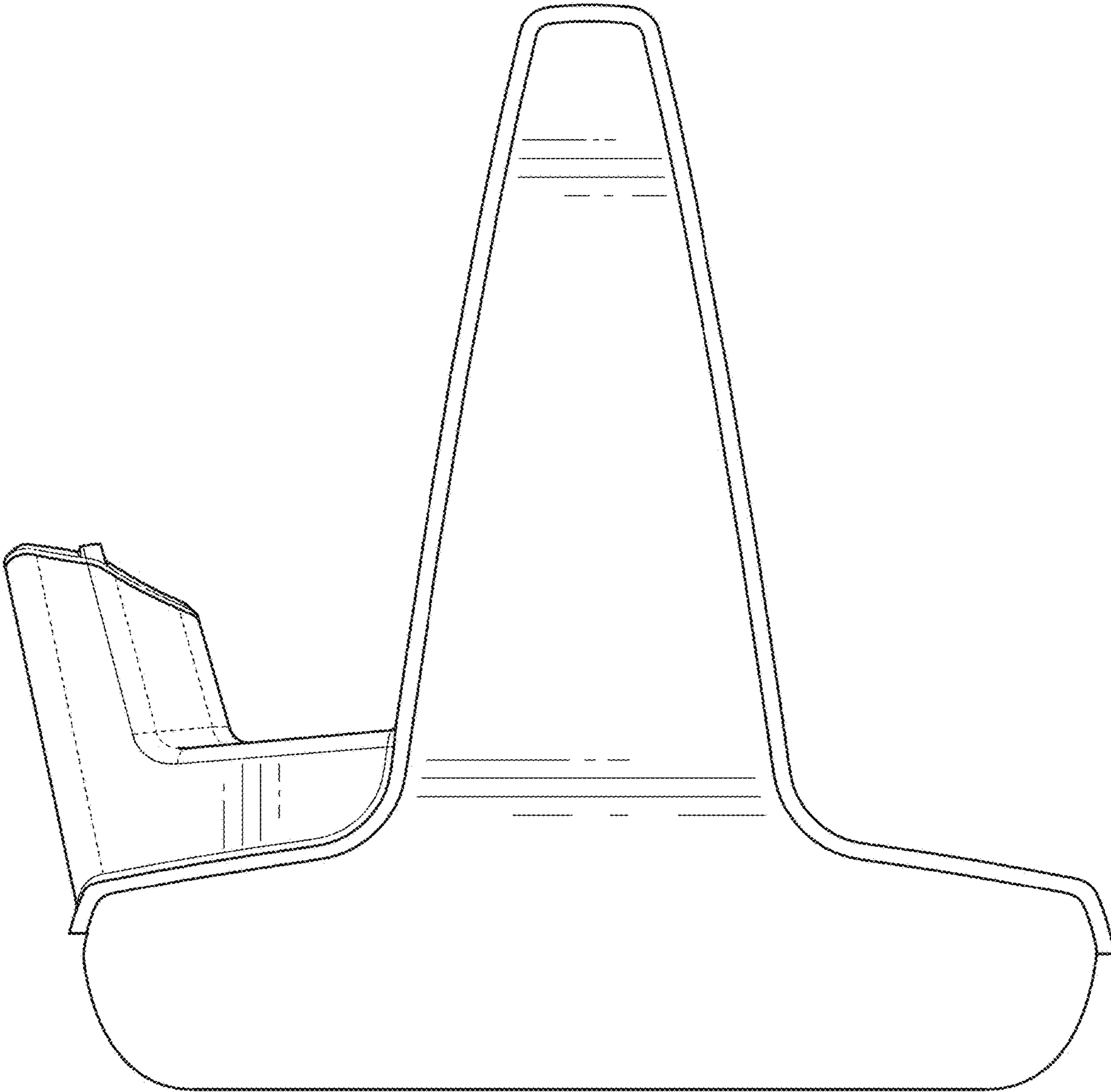


FIG. 6

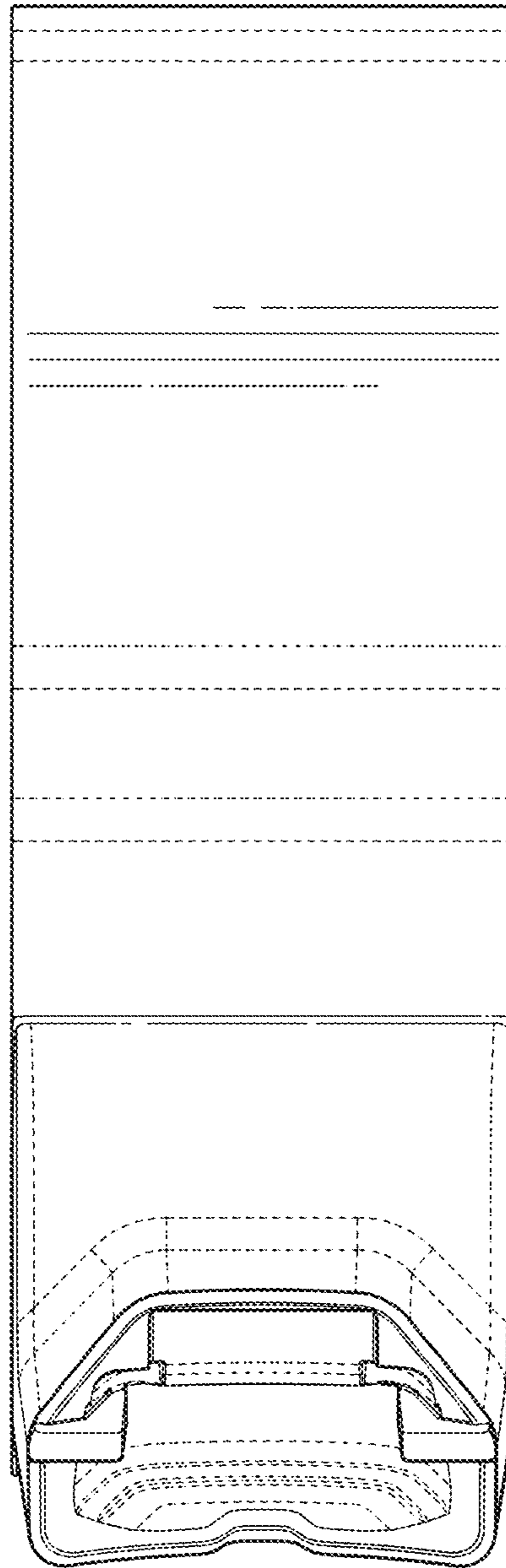


FIG. 7

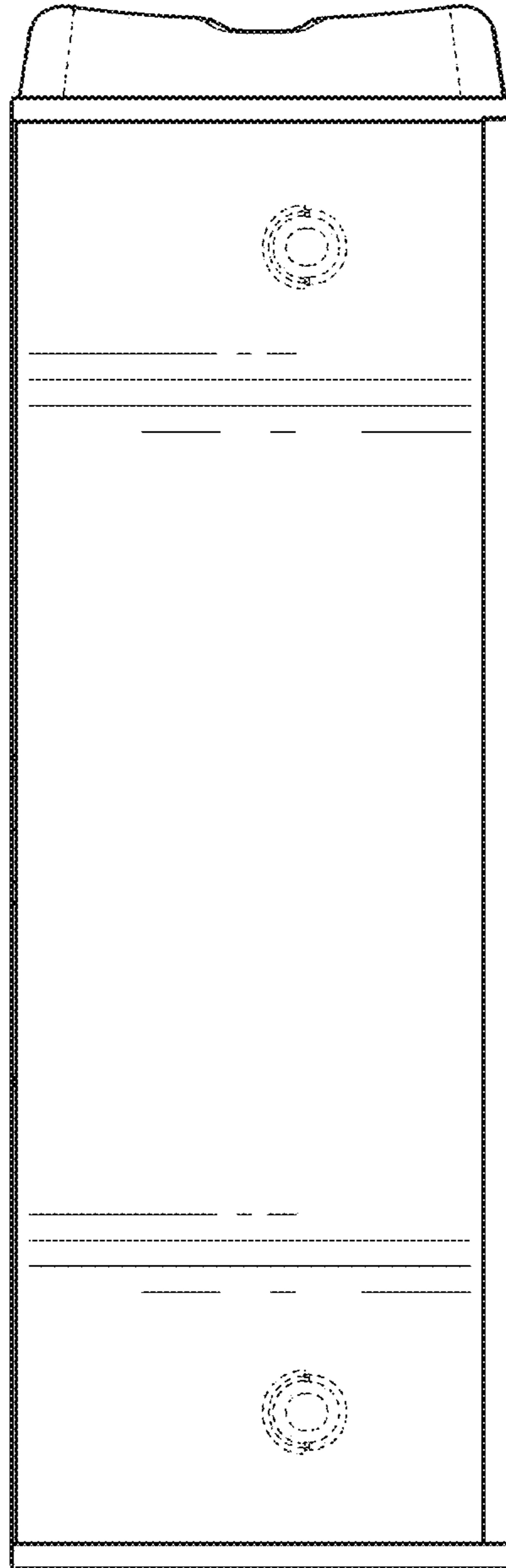


FIG. 8