



US00D933636S

(12) **United States Design Patent** (10) **Patent No.:** **US D933,636 S**
Akana et al. (45) **Date of Patent:** **** Oct. 19, 2021**

(54) **CASE**

(71) Applicant: **Apple Inc.**, Cupertino, CA (US)

(72) Inventors: **Jody Akana**, San Francisco, CA (US);
Molly Anderson, San Francisco, CA (US);
Bartley K. Andre, Palo Alto, CA (US);
Shota Aoyagi, San Francisco, CA (US);
Anthony Michael Ashcroft, San Francisco, CA (US);
Marine C. Bataille, San Francisco, CA (US);
Jeremy Bataillou, San Francisco, CA (US);
Markus Diebel, San Francisco, CA (US);
M. Evans Hankey, San Francisco, CA (US);
Julian Hoenig, San Francisco, CA (US);
Richard P. Howarth, San Francisco, CA (US);
Jonathan P. Ive, San Francisco, CA (US);
Julian Jaede, San Francisco, CA (US);
Duncan Robert Kerr, San Francisco, CA (US);
Peter Russell-Clarke, San Francisco, CA (US);
Benjamin Andrew Shaffer, San Jose, CA (US);
Sung-Ho Tan, San Francisco, CA (US);
Clement Tissandier, San Francisco, CA (US);
Eugene Antony Whang, San Francisco, CA (US);
Rico Zörkendörfer, San Francisco, CA (US)

(73) Assignee: **Apple Inc.**, Cupertino, CA (US)

(**) Term: **15 Years**

(21) Appl. No.: **29/764,869**

(22) Filed: **Jan. 4, 2021**

Related U.S. Application Data

(63) Continuation of application No. 29/706,555, filed on Sep. 20, 2019, now Pat. No. Des. 907,009.

(51) **LOC (13) Cl.** **14-01**

(52) **U.S. Cl.**
USPC **D14/223**

(58) **Field of Classification Search**

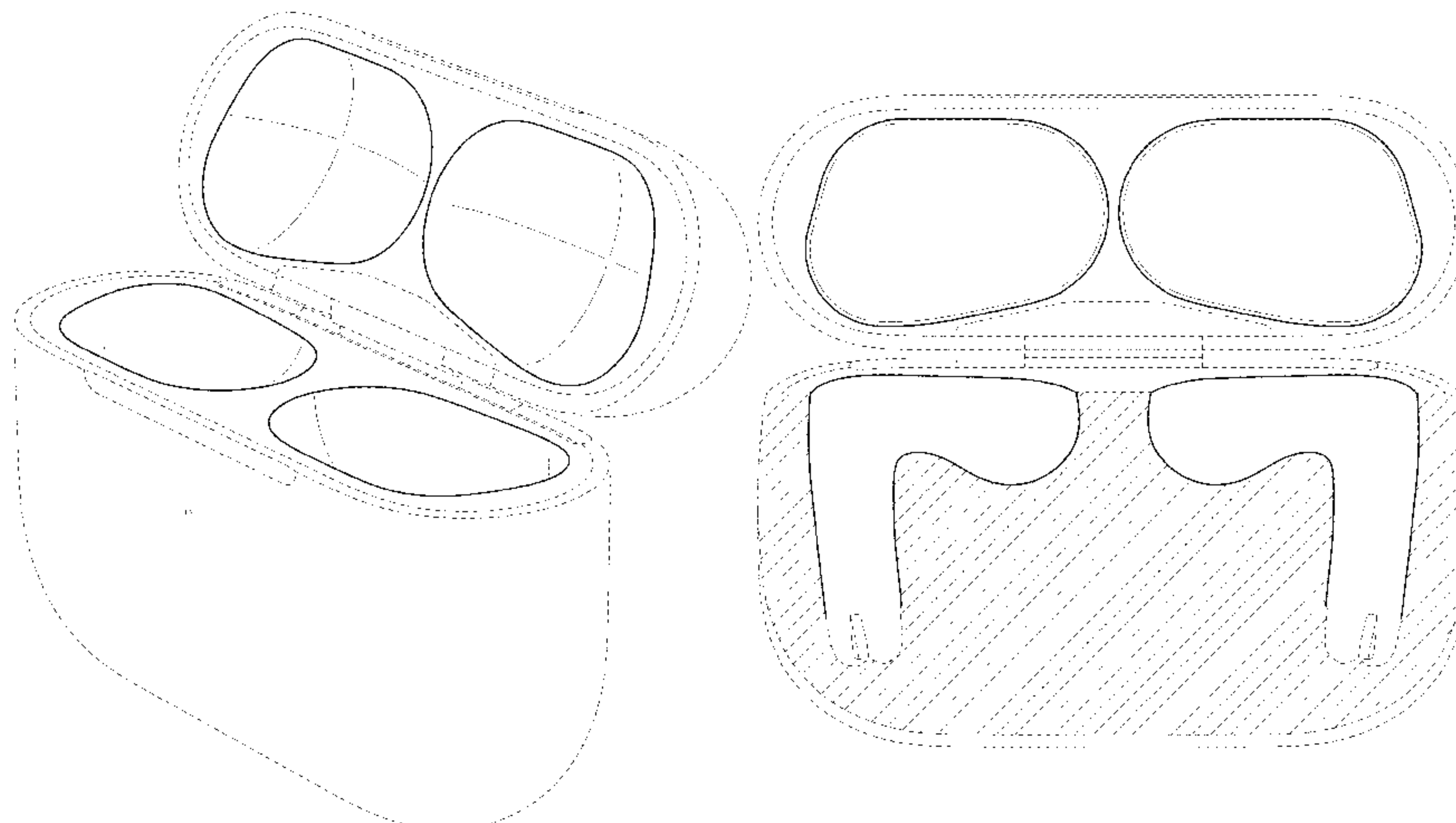
USPC D14/223, 205; D3/218, 294, 295, 274;
D9/455, 426, 418, 721, 420, 456, 425,
D9/423; D7/553.3; D15/90; 229/123.1,
229/125.25; 220/524, 4.23, 23.8;
383/210; D28/83; 381/380, 381, 322,
381/328; D13/108
CPC H04R 1/10; H04R 1/1066; H04R 1/1016;
H04R 5/033; H04R 5/0335; H04R 25/00;
H04R 1/1025; B65D 85/00; H02J 7/0044;
H02J 7/0045

See application file for complete search history.

(56) **References Cited**

U.S. PATENT DOCUMENTS

228,598 A 6/1880 Buckley
1,868,503 A * 7/1932 Kennedy, Jr. F25C 1/24
62/350
2,491,424 A * 12/1949 Stalter B65B 11/48
53/141
2,672,697 A * 3/1954 La Tour A47G 19/02
434/258
2,809,863 A * 10/1957 Curran A01M 1/2055
239/54
D202,529 S * 10/1965 Rosebrook D15/90
3,214,128 A * 10/1965 Beck F25C 1/243
249/66.1
3,246,815 A 4/1966 Philip et al.
3,454,210 A * 7/1969 Spiegel B65D 75/30
229/123.1
3,511,433 A * 5/1970 Andrews B65D 43/162
220/4.23
3,685,717 A * 8/1972 Seiferth B65D 75/32
426/108
D224,928 S * 10/1972 Wiley D9/456
D245,818 S 9/1977 Persson
D281,281 S 11/1985 Norma
D285,687 S 9/1986 Manock et al.
D291,947 S 9/1987 Nakata
D306,519 S 3/1990 Nakata
D310,480 S 9/1990 Geiger
D312,629 S 12/1990 Esslinger
D322,752 S 12/1991 Jorg
D339,215 S 9/1993 Spencer, Jr.
D342,676 S 12/1993 Klaus
D349,644 S 8/1994 Miyairi et al.
5,353,985 A * 10/1994 Nageli B65D 1/36
220/524



D356,828 S 3/1995 Harris et al.
D364,708 S 11/1995 Tarrson et al.
D367,608 S 3/1996 Lucas
5,610,494 A * 3/1997 Grosfilley H04R 25/602
320/113
D380,355 S 7/1997 Wayne
5,645,277 A * 7/1997 Cheng A63F 13/06
273/148 B
D399,604 S 10/1998 Douglas
D404,201 S 1/1999 Wennerstrom
D419,133 S 1/2000 Yoshida et al.
D422,139 S 4/2000 Howard
D426,950 S 6/2000 Conway
D427,424 S 7/2000 Conway
D436,434 S 1/2001 Conway
D463,907 S 10/2002 Lemoine
D464,941 S 10/2002 Latto et al.
D467,799 S 12/2002 Persson
D475,282 S 6/2003 Snaith et al.
D478,546 S 8/2003 Andre et al.
D479,823 S 9/2003 Andre et al.
D482,618 S 11/2003 Cummings
D493,257 S 7/2004 Mccorkindale
D505,068 S 5/2005 Cunningham et al.
D506,744 S 6/2005 Andre et al.
D508,647 S * 8/2005 Silver D9/415
D510,029 S 9/2005 Marcot
D528,012 S 9/2006 Snyder
D532,695 S 11/2006 Grant
D540,313 S 4/2007 Rausch et al.
D541,173 S 4/2007 Karussi et al.
D542,664 S 5/2007 Mayers
D559,180 S 1/2008 Lai et al.
D560,695 S * 1/2008 Marchionda D15/90
D576,037 S 9/2008 Beam et al.
D616,738 S 6/2010 Andre et al.
D637,647 S 5/2011 Allison et al.
D638,297 S * 5/2011 Gelardi D9/456
D651,903 S 1/2012 Teller
D652,823 S 1/2012 Chen
D667,301 S * 9/2012 Jones D9/456
D672,642 S 12/2012 Supranowicz
D681,015 S 4/2013 Akana et al.
D683,902 S 6/2013 Zotalis
D687,224 S 8/2013 Lacroix
D691,372 S 10/2013 Chun
D691,594 S 10/2013 Akana et al.
D695,014 S * 12/2013 Mori D3/264
D706,643 S 6/2014 Akana et al.
8,739,967 B1 6/2014 George
D708,784 S 7/2014 Kim
D720,096 S 12/2014 McDougall
D735,132 S 7/2015 Donohue, II et al.
D735,991 S 8/2015 Brennan et al.
D738,110 S 9/2015 Jiang et al.
D740,653 S 10/2015 Akana et al.
D772,572 S 11/2016 Palmborg et al.
9,532,128 B2 12/2016 Linden et al.
D775,463 S 1/2017 Shieh
D775,960 S 1/2017 Erdwiens
D801,314 S 10/2017 Akana et al.
D804,806 S 12/2017 Stueckemann et al.
D806,388 S 1/2018 Akana et al.
D816,322 S 5/2018 Choe et al.
9,961,431 B2 * 5/2018 McPeak H04R 9/06
D821,970 S * 7/2018 Loermann D13/107
D822,374 S 7/2018 Hung et al.
D826,152 S * 8/2018 Christiansen D13/108
D838,480 S * 1/2019 Son D3/294
D841,580 S * 2/2019 Bao D13/108
D841,581 S * 2/2019 Bonahoom D13/108
D846,264 S 4/2019 Wu
D849,401 S * 5/2019 Akana D3/274
D864,110 S * 10/2019 Yoshimura D13/108
D873,217 S * 1/2020 Zhang D13/108
D878,048 S * 3/2020 Wang D3/294
D881,810 S * 4/2020 Zhang D13/108
10,659,864 B2 5/2020 Lo et al.
D887,351 S * 6/2020 Bonahoom D13/108

10,701,472 B1 6/2020 Xu et al.
D893,184 S * 8/2020 Liu D3/294
D897,997 S * 10/2020 Zhang D14/223
D902,588 S * 11/2020 Zhang D3/294
D902,856 S * 11/2020 Klein D13/108
D904,025 S * 12/2020 Ma D3/295
D904,755 S * 12/2020 Birger D3/201
D906,238 S * 12/2020 Zhang D13/108
D907,009 S * 1/2021 Akana D14/223
D908,018 S * 1/2021 Akana D9/721
D908,084 S * 1/2021 He D13/108
D909,347 S * 2/2021 Akana D14/223
D910,553 S * 2/2021 Cramer D13/108
D911,027 S * 2/2021 Liang D3/274
D911,944 S * 3/2021 Gao D13/108
D911,945 S * 3/2021 Xian D13/108
D912,622 S * 3/2021 Zhou D13/108
D917,303 S * 4/2021 Akana D9/721
D918,138 S * 5/2021 Ma D13/108
2017/0064429 A1 * 3/2017 Hirsch H04W 52/0209
2017/0094399 A1 3/2017 Chandramohan et al.
2020/0304899 A1 * 9/2020 Cramer A45C 11/00
2021/0085047 A1 * 3/2021 Wright A45C 13/02
2021/0160607 A1 * 5/2021 Liu H04B 1/3883

FOREIGN PATENT DOCUMENTS

EM 008442743-0001 * 2/2021
EM 008443071-0001 * 2/2021
EM 008508840-0001 * 4/2021
GB 6085043 * 3/2020
JP D1638460 S 7/2019
JP D1679782 * 2/2021
JP D1683428 * 3/2021
KR 301007505.0000 * 5/2021

OTHER PUBLICATIONS

“Spheres, equations and terminology” (written by Paul Bourke), dated Apr. 1992. Available from internet, (URL: <http://paulbourke.net/geometry/circlesphere/>).

“Review: Hush smart earplugs put a waterfall in your ear”, available May 11, 2016. Available from internet, (URL: <https://newatlas.com/hush-smart-earplug-review/43272/>).

Kogan, “Kogan W8 II True Wireless Earphones (Black)”. (<https://www.kogan.com/au/buy/kogan-w8-ii-true-wireless-earphones-black/>).

Urbanista, “Stockholm”, Chaches on May 20, 2019. (<https://www.urbanista.com/us/stockholm>)(<https://web.archive.org/web/20190520064031/https://www.urbanista.com/us/stockholm>).

* cited by examiner

Primary Examiner — Paula Allen Greene
(74) *Attorney, Agent, or Firm* — Sterne, Kessler, Goldstein & Fox P.L.L.C.

(57) CLAIM

The ornamental design for a case, as shown and described.

DESCRIPTION

FIG. 1 is a front perspective view of a case showing the claimed design;
FIG. 2 is a front view thereof;
FIG. 3 is a rear view thereof;
FIG. 4 is a left side view thereof;
FIG. 5 is a right side view thereof;
FIG. 6 is a top view thereof;
FIG. 7 is a bottom view thereof;
FIG. 8 is a cross-sectional view thereof taken along line 8-8 in FIG. 4; and,

FIG. 9 is a front perspective view thereof in an environment in which it may be used.

The dashed broken lines in the figures show portions of the case and environment that form no part of the claimed design.

The cross-hatching in FIG. 8 forms no part of the claimed design.

1 Claim, 8 Drawing Sheets

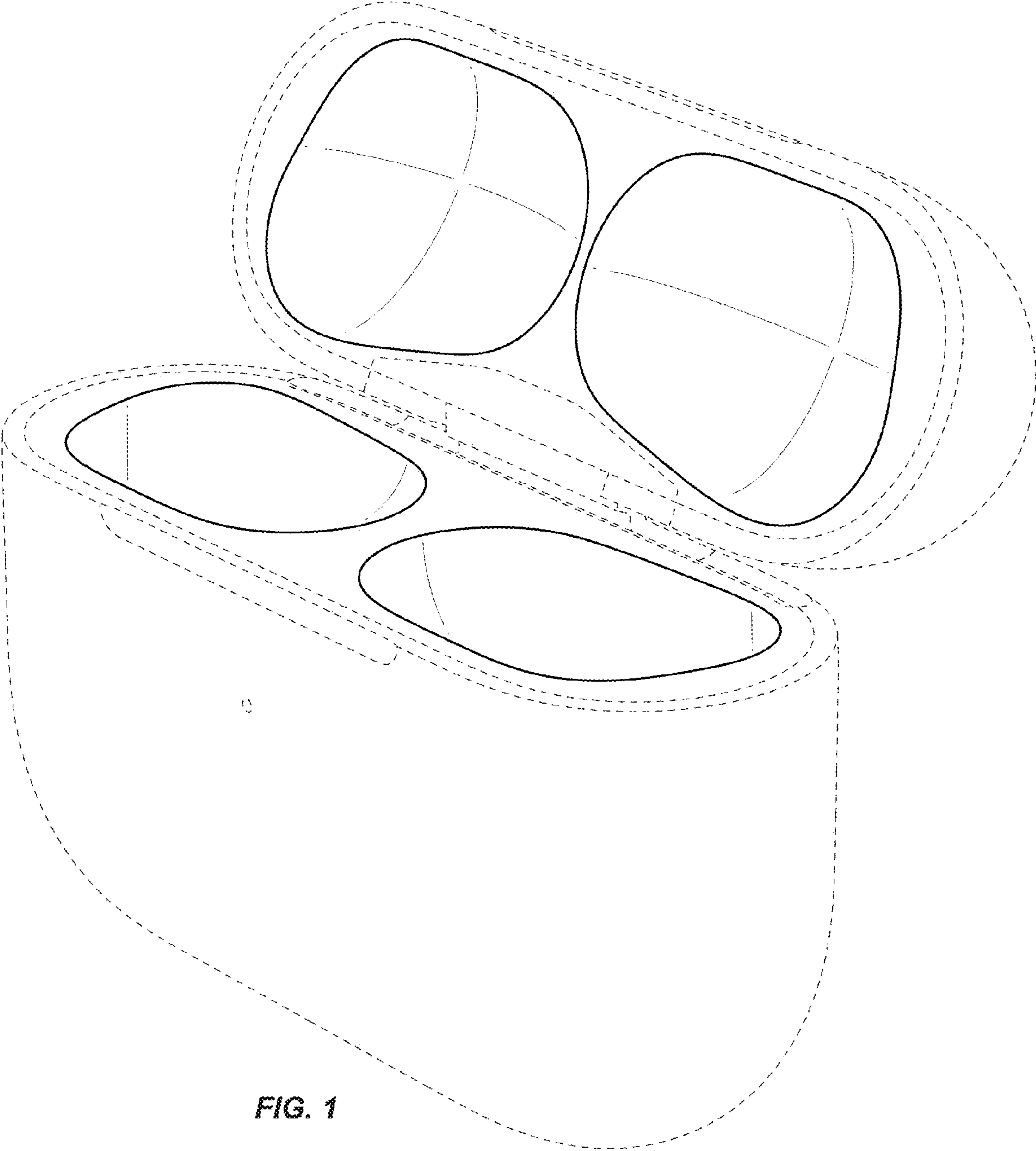


FIG. 1

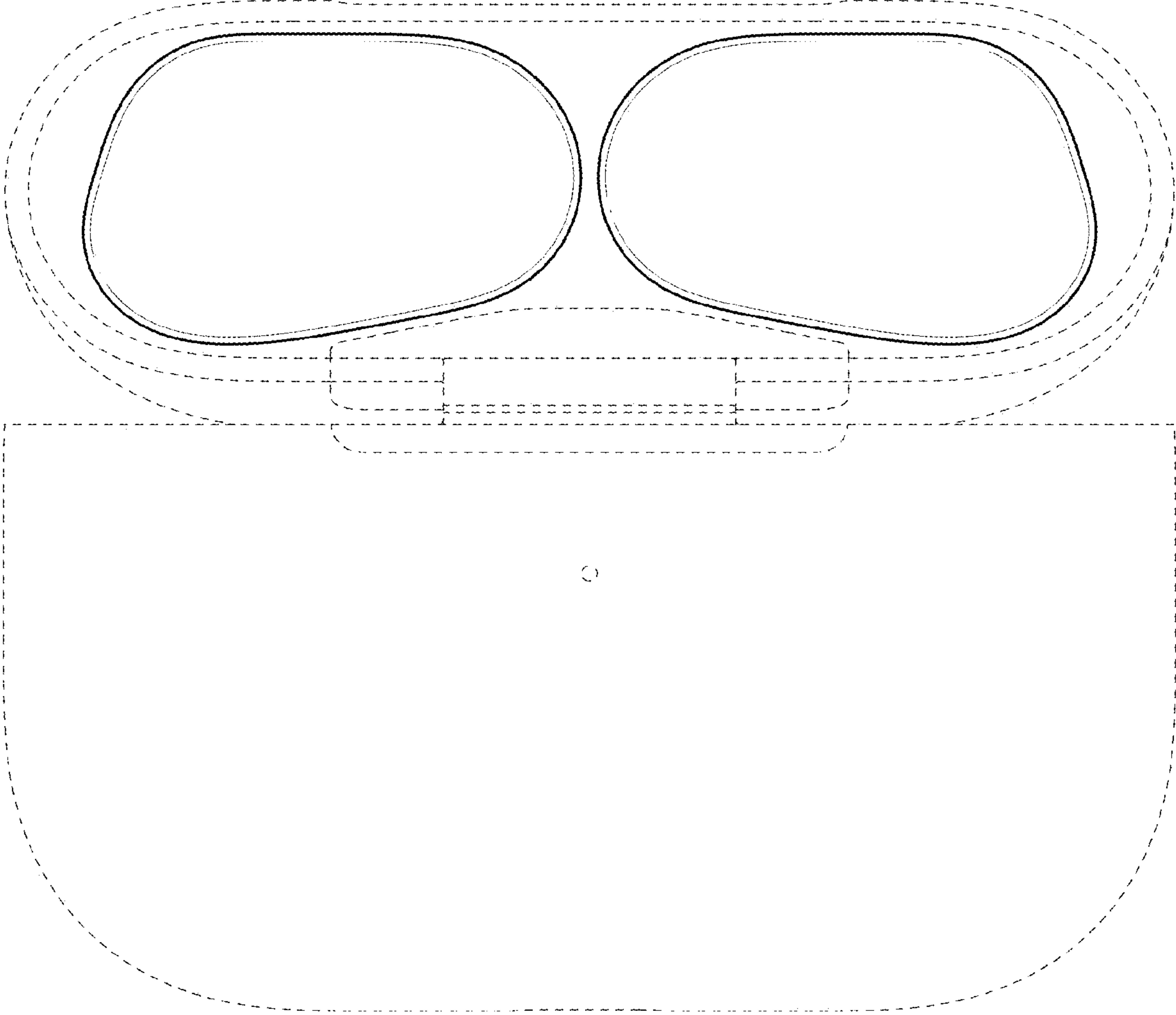


FIG. 2

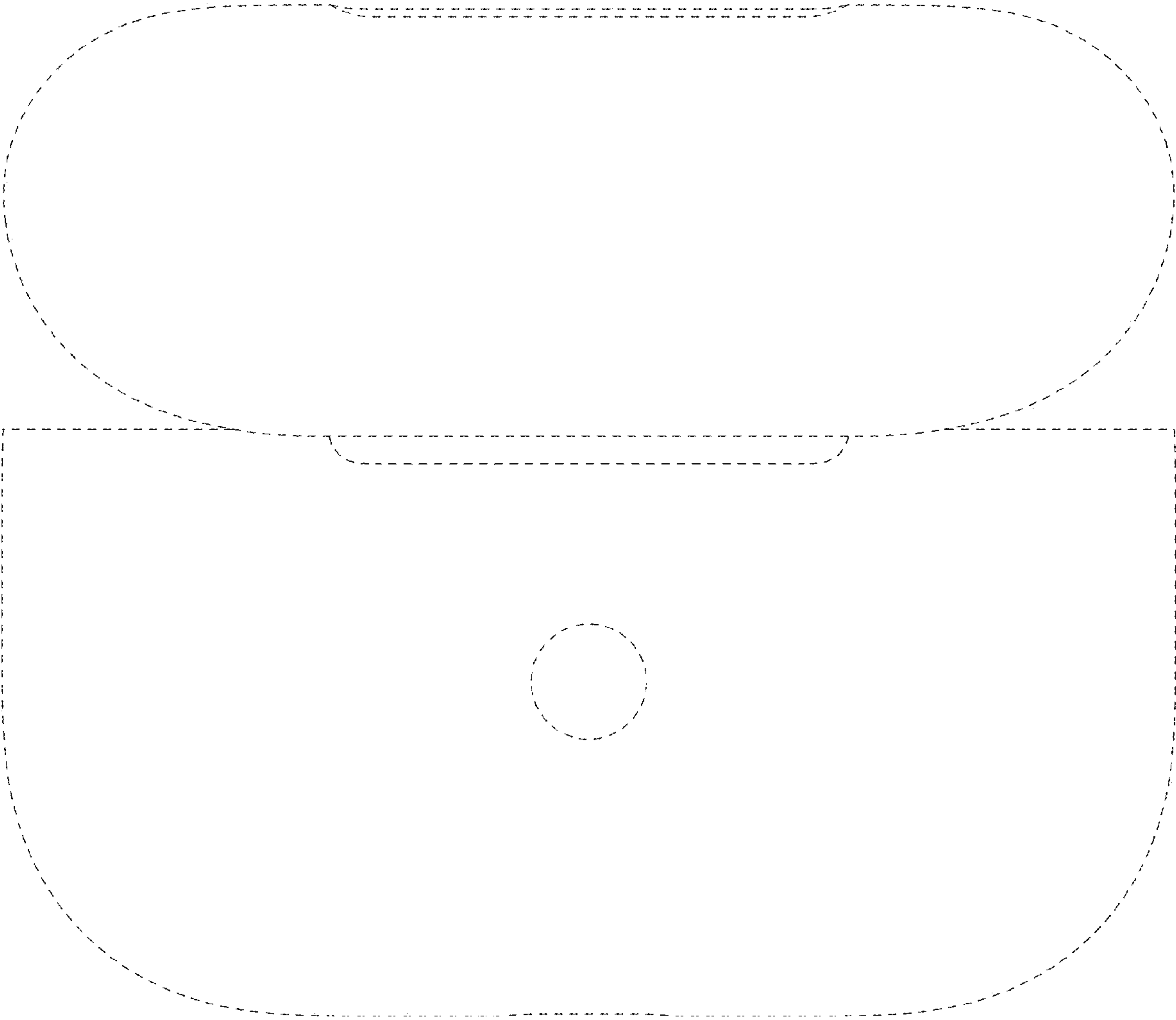


FIG. 3

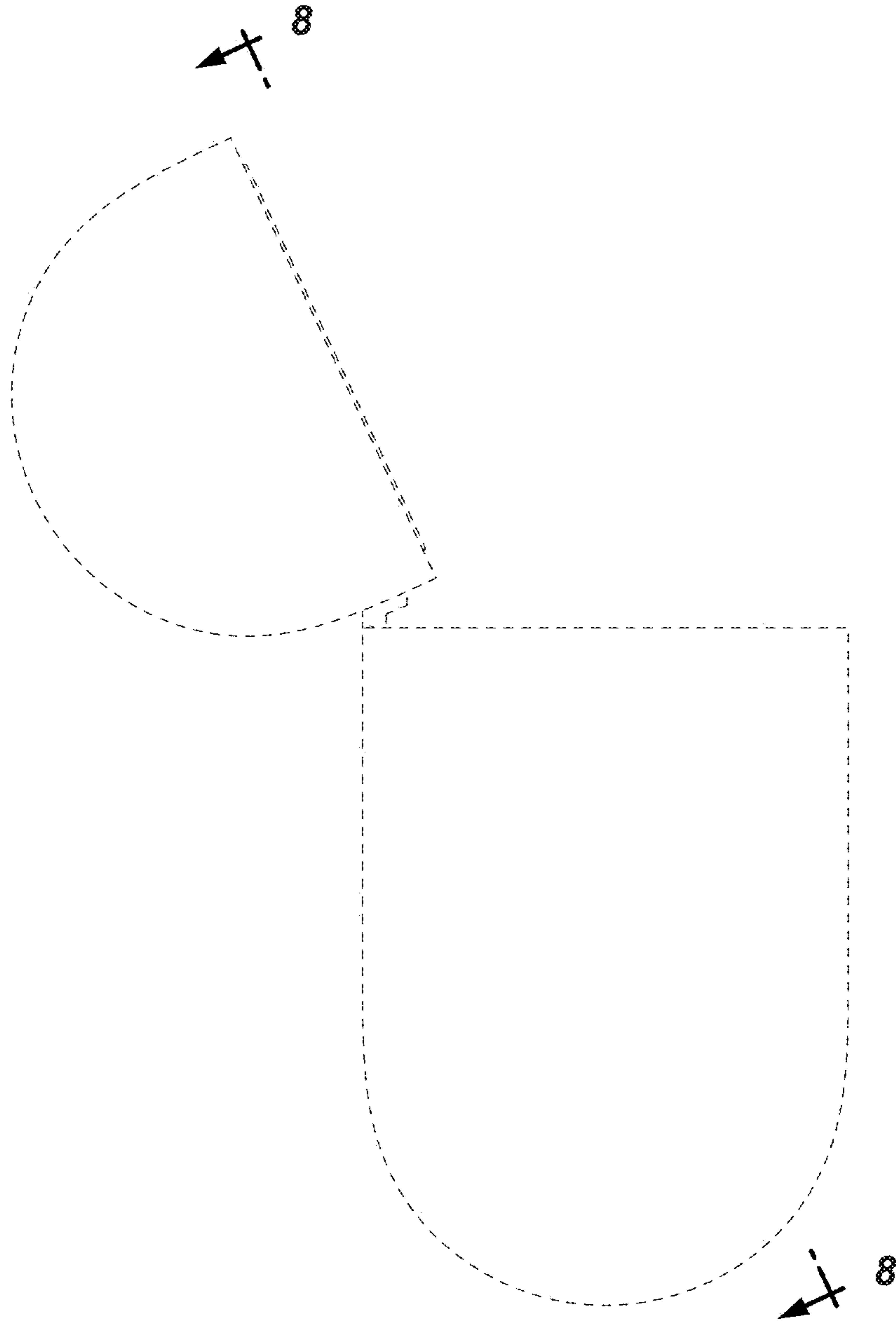


FIG. 4

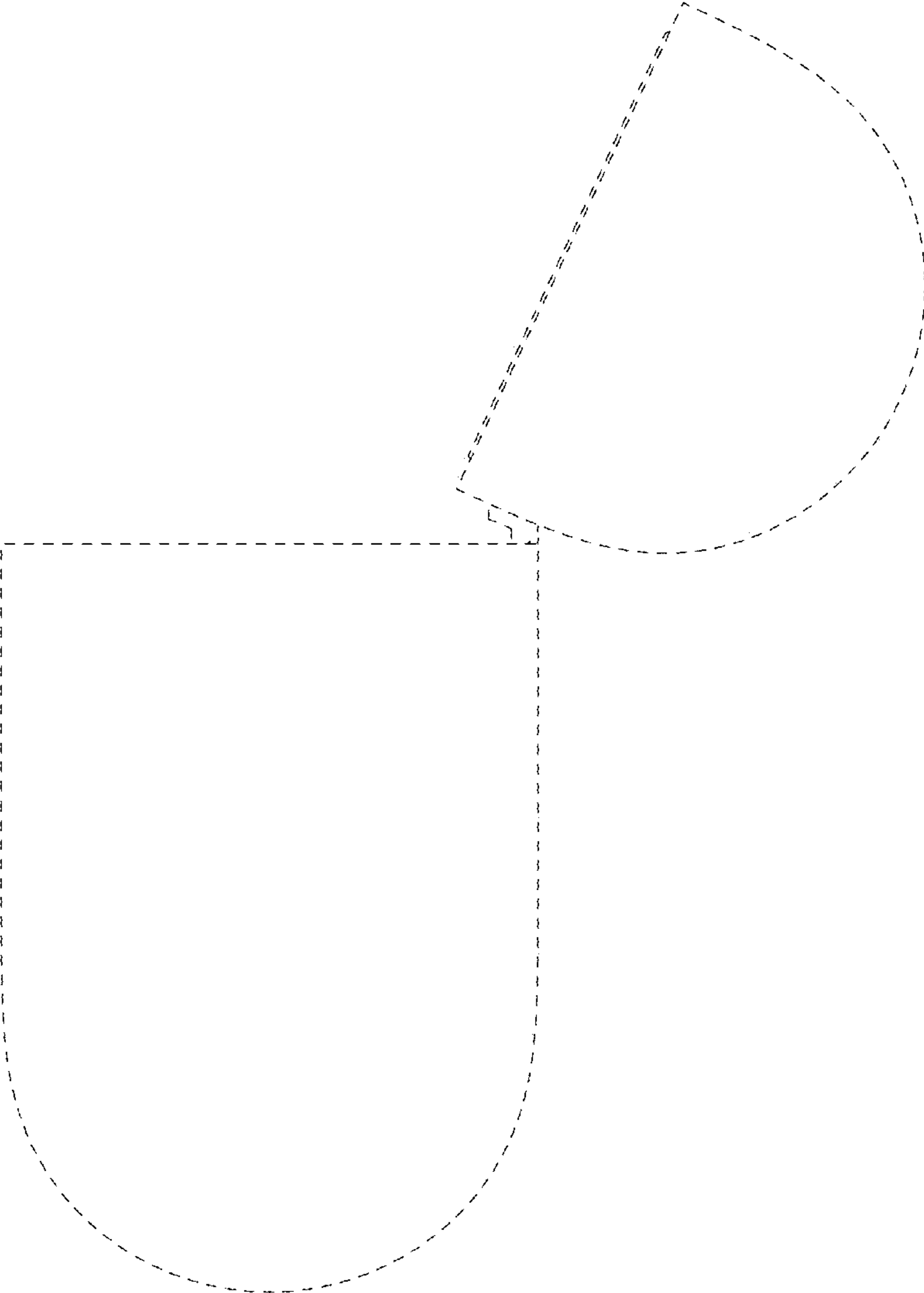


FIG. 5

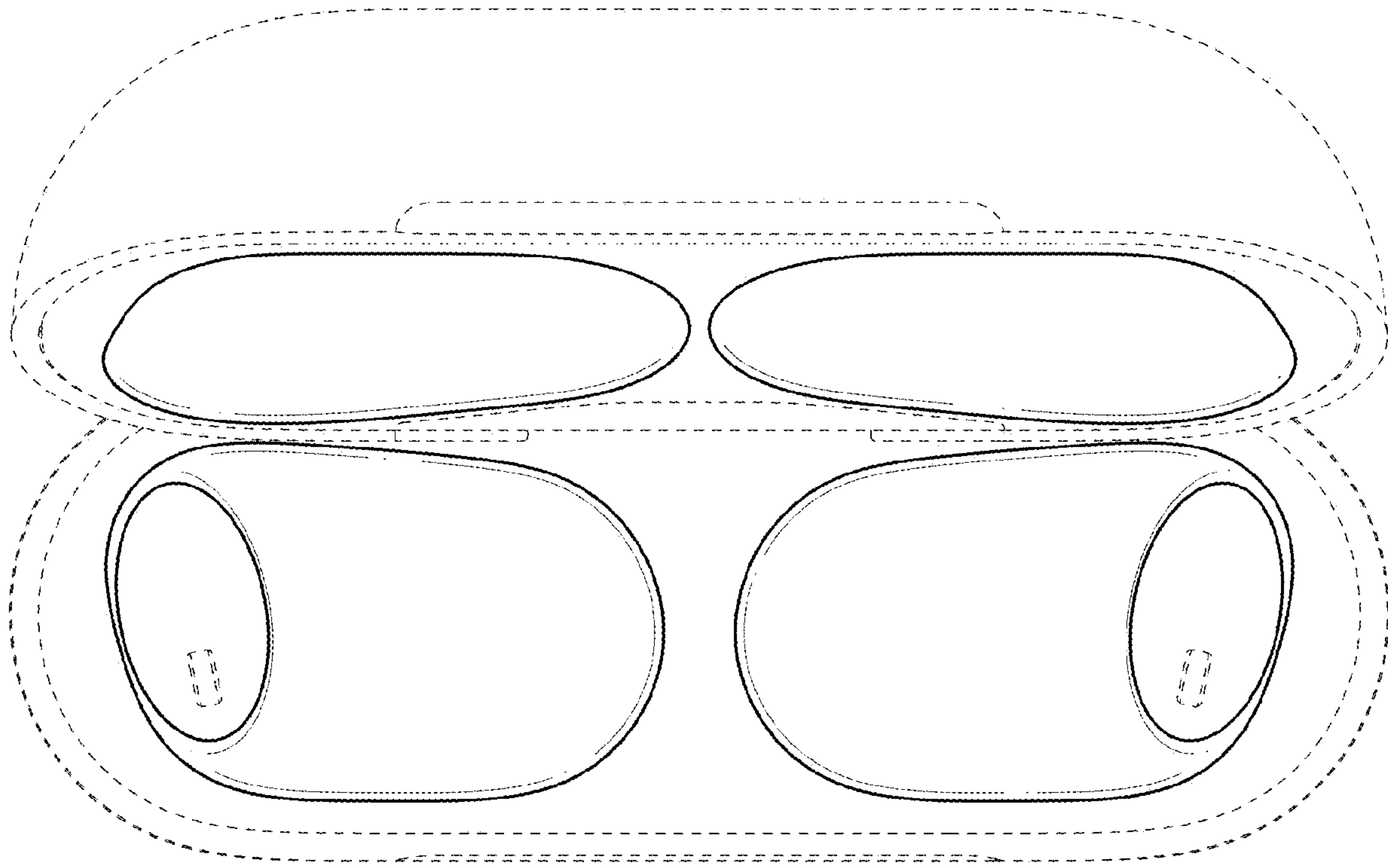


FIG. 6

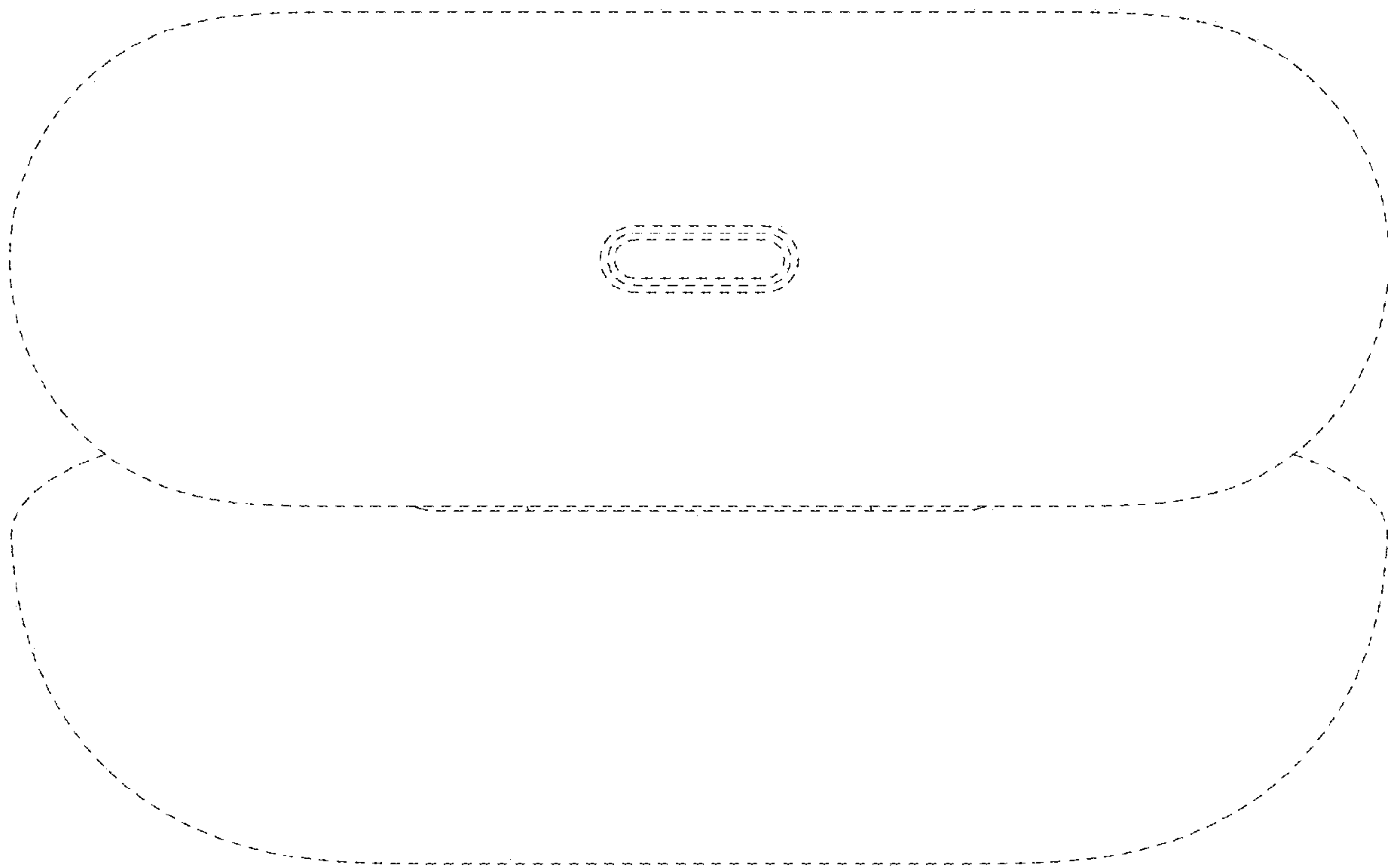


FIG. 7

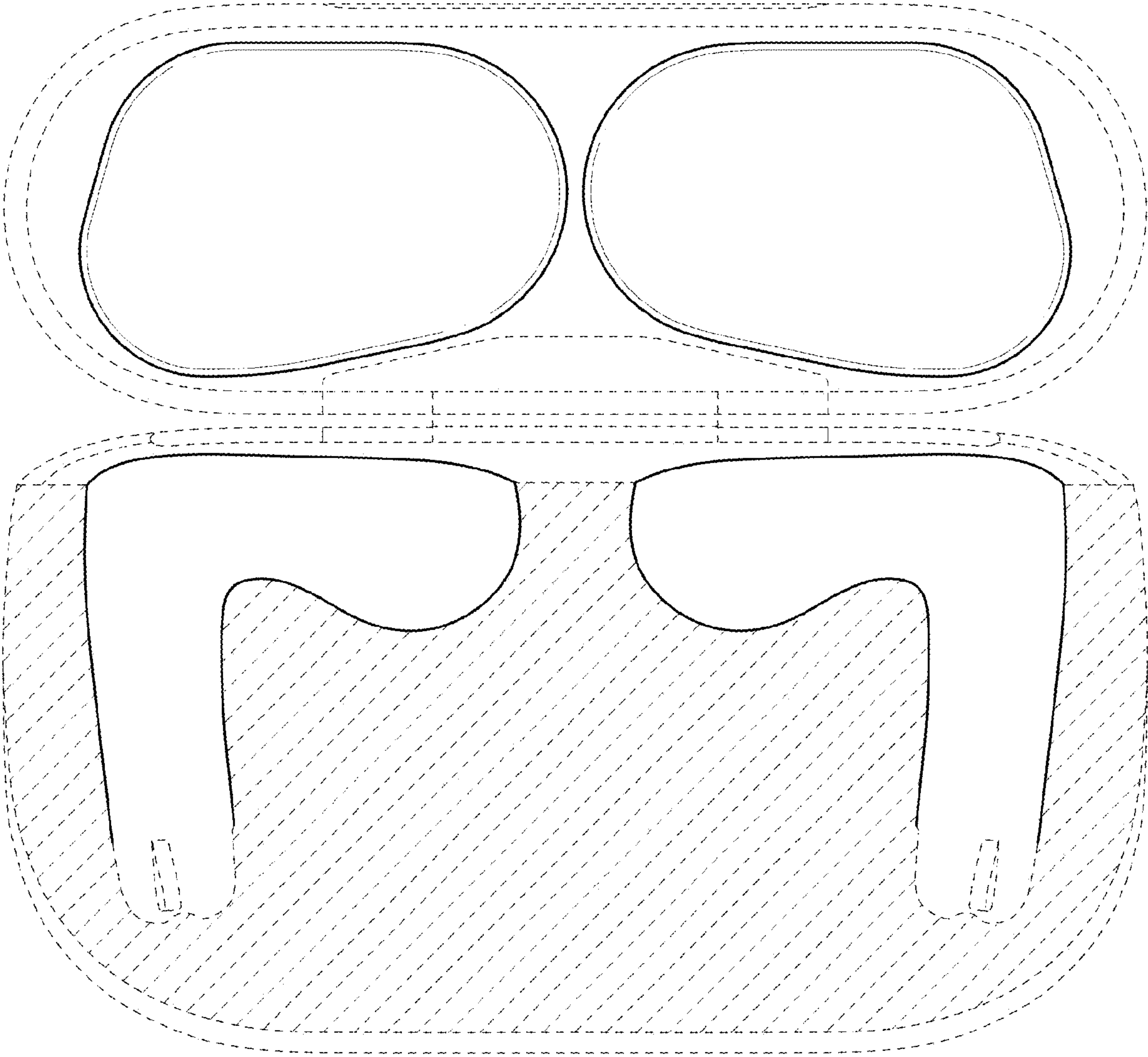


FIG. 8

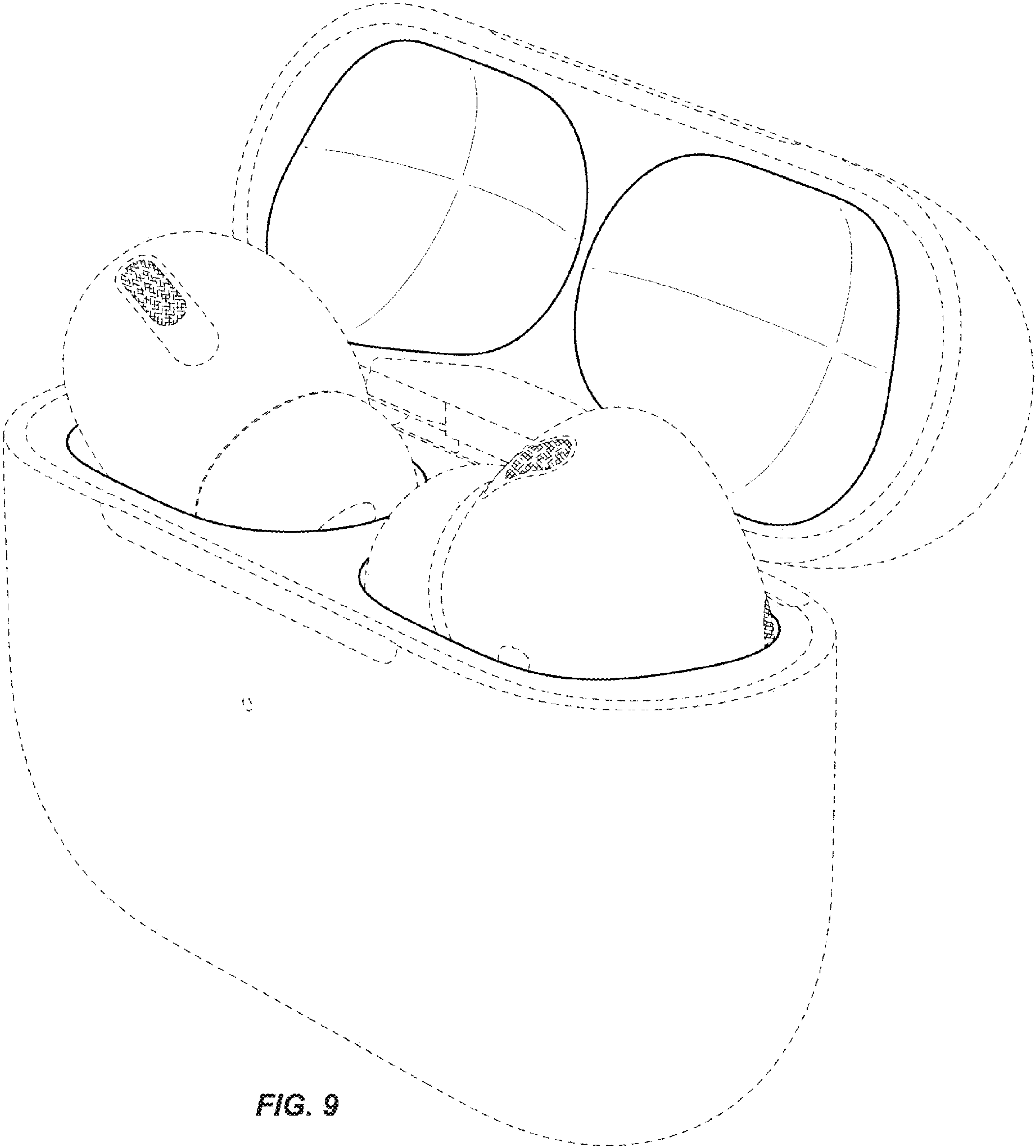


FIG. 9