



US00D933628S

(12) **United States Design Patent** (10) **Patent No.:** **US D933,628 S**  
**Morris et al.** (45) **Date of Patent:** **\*\* Oct. 19, 2021**

(54) **AMPLIFICATION DEVICE**

(71) Applicant: **Ernest Eugene Morris**, Lakewood, CO (US)

(72) Inventors: **Ernest Eugene Morris**, Lakewood, CO (US); **Philip Meiklejohn**, Lakewood, CO (US)

(73) Assignee: **Ernest Eugene Morris**, Lakewood, CO (US)

(\*\*) Term: **15 Years**

(21) Appl. No.: **29/624,802**

(22) Filed: **Nov. 3, 2017**

(51) **LOC (13) Cl.** ..... **14-03**

(52) **U.S. Cl.**  
USPC ..... **D14/188**; D14/216

(58) **Field of Classification Search**  
USPC ..... D14/162, 167-169, 175, 179, 188, D14/194-198, 217, 257, 265, 299, 496, D14/189, 207, 225-228, 216; D17/20, D17/21, 99

CPC ..... B60R 11/0217; G06F 1/1688; G10K 9/22; G10K 11/004; H03F 1/327; H04M 1/03; H04M 1/035; H04N 5/642; H04N 21/4852; H04R 1/02; H04R 1/06; H04R 1/021; H04R 1/025; H04R 1/026; H04R 1/028; H04R 1/105; H04R 1/323; H04R 1/403; H04R 1/2803; H04R 1/2834; H04R 5/02; H04R 7/20; H04R 9/06; H04R 9/025; H04R 2201/021; H04R 2400/00; H04R 2201/07; H04R 2499/11; H04R 2499/13; H04R 2499/15; H04S 3/00; H04S 7/30

See application file for complete search history.

(56) **References Cited**

**U.S. PATENT DOCUMENTS**

3,328,537 A \* 6/1967 Hecht ..... H04R 7/127 381/426  
D258,068 S 1/1981 Ostrom

D286,399 S \* 10/1986 Willy ..... D14/222  
D401,239 S \* 11/1998 Delong ..... D14/191  
D478,057 S \* 8/2003 Cohen ..... D14/155  
D553,122 S 10/2007 Solland  
D553,123 S 10/2007 Solland  
D639,784 S \* 6/2011 Murayama ..... D14/218  
D671,924 S \* 12/2012 Choi ..... D14/239  
D697,051 S 1/2014 Adams  
D761,967 S 7/2016 Tsai  
D789,373 S \* 6/2017 King ..... D14/413  
D789,374 S \* 6/2017 King ..... D14/413  
D798,867 S 10/2017 Carnevali  
D820,238 S \* 6/2018 Boshernitzan ..... D14/218  
D852,190 S \* 6/2019 Haigh ..... D14/358  
D853,382 S \* 7/2019 Haigh ..... D14/358

(Continued)

*Primary Examiner* — Keli L Hill

(74) *Attorney, Agent, or Firm* — Volpe Koenig

(57) **CLAIM**

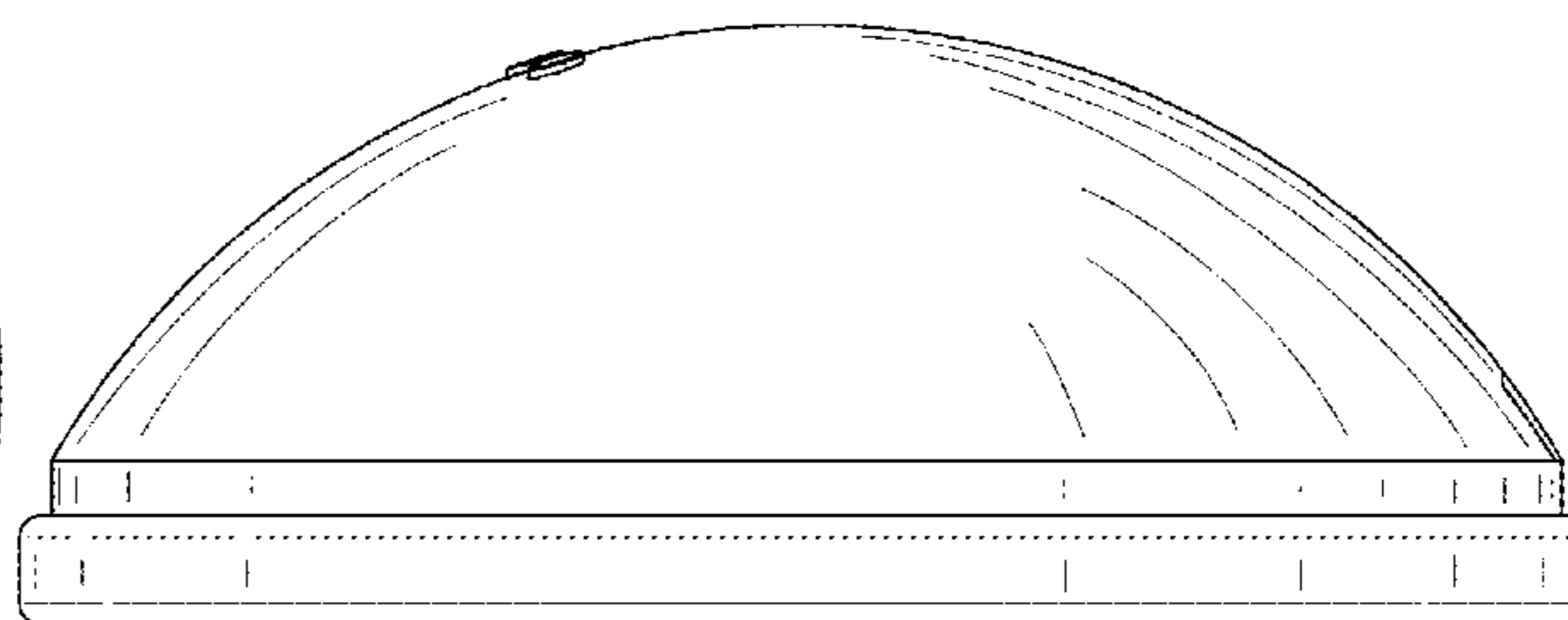
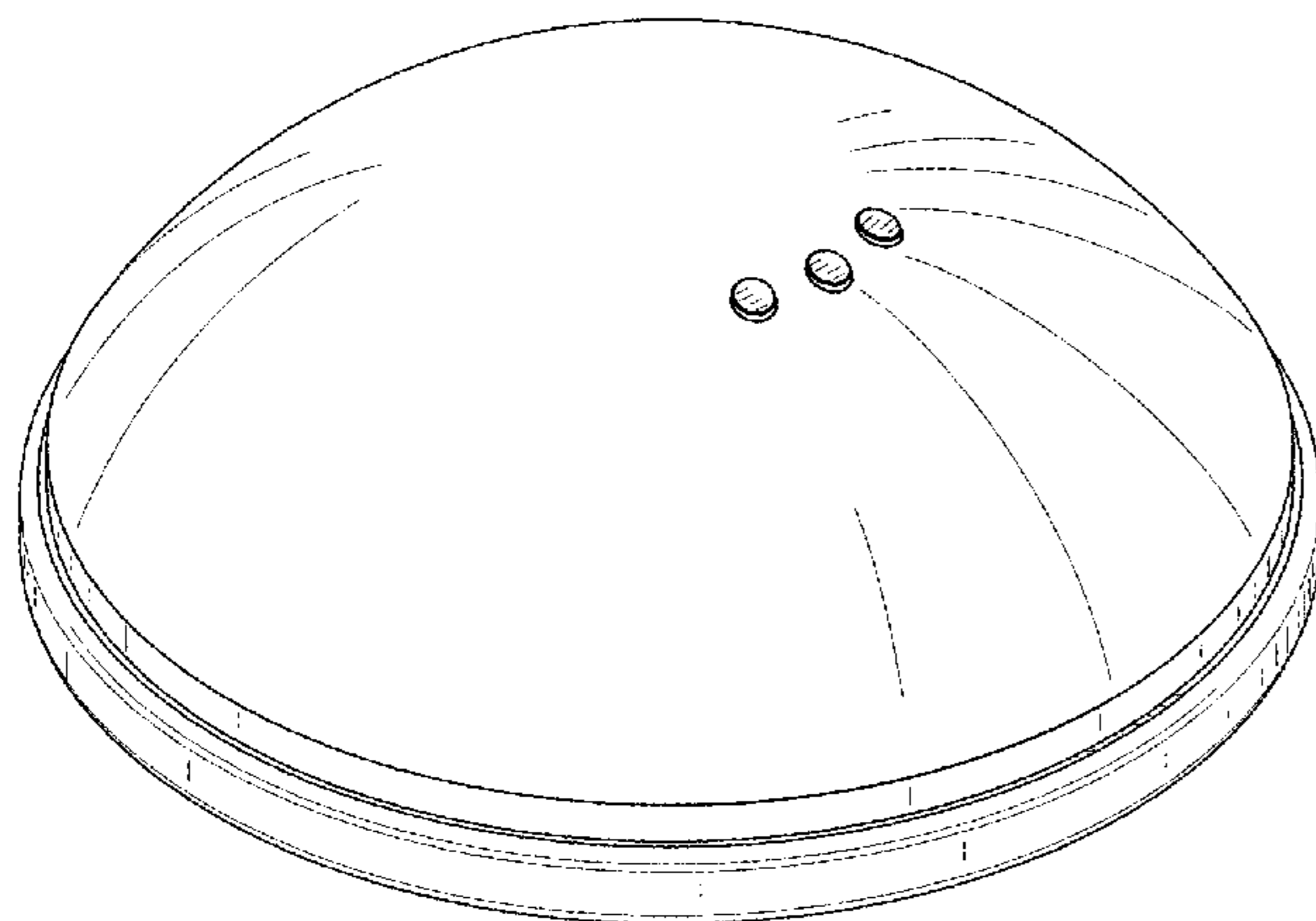
The ornamental design for an amplification device, as shown and described.

**DESCRIPTION**

FIG. 1 is a perspective view of an amplification device in accordance with our new design;  
FIG. 2 is a front side view thereof;  
FIG. 3 is a rear side view thereof;  
FIG. 4 is a left view thereof;  
FIG. 5 is a right view thereof;  
FIG. 6 is a top view thereof; and,  
FIG. 7 is a bottom view thereof.

The dot-dot-dash broken lines immediately adjacent the shaded areas represent the bounds of the claimed design while all other broken lines are included for the purpose of illustrating portions of the amplification device; the broken lines form no part of the claimed design.

**1 Claim, 5 Drawing Sheets**



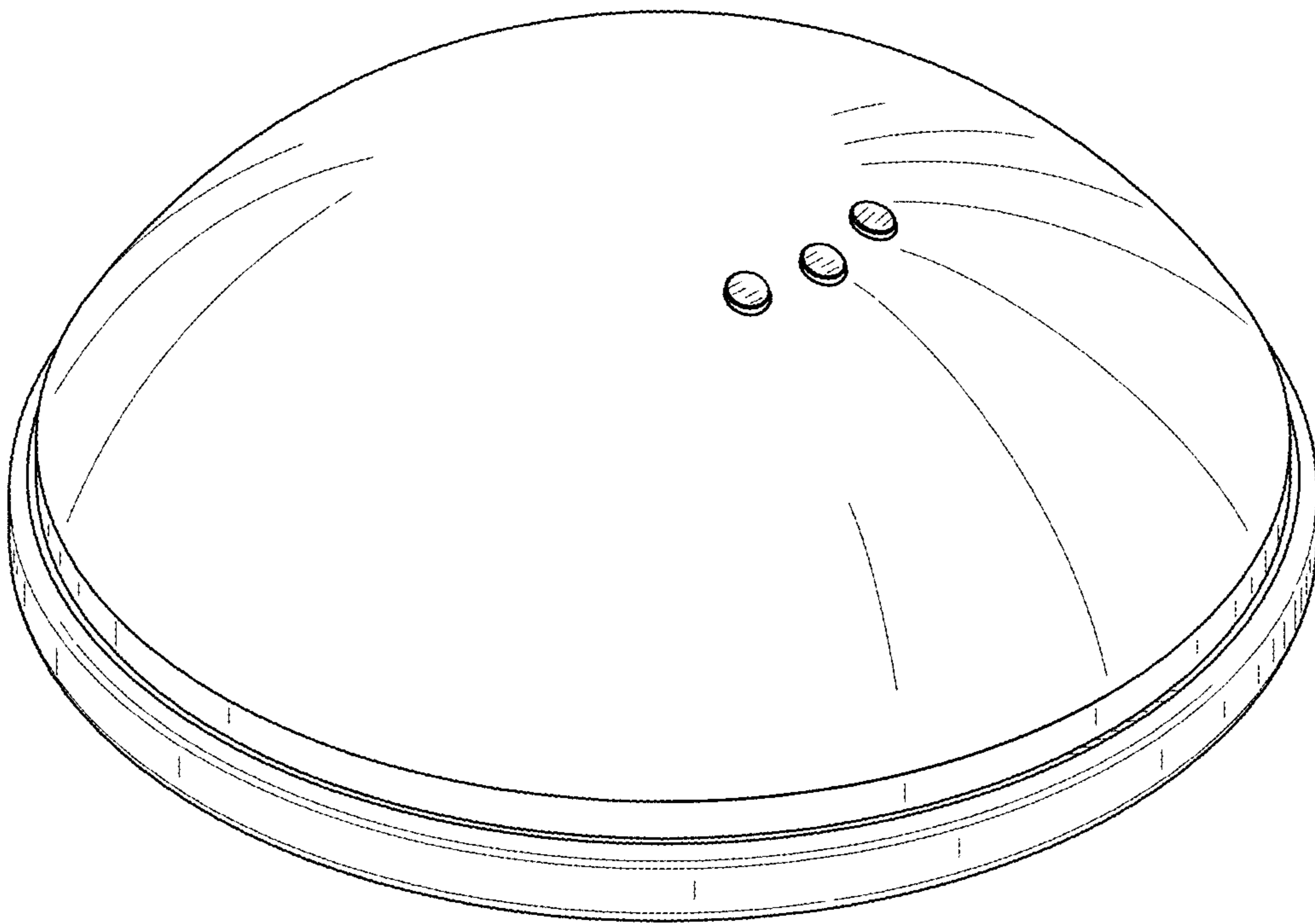
(56)

**References Cited**

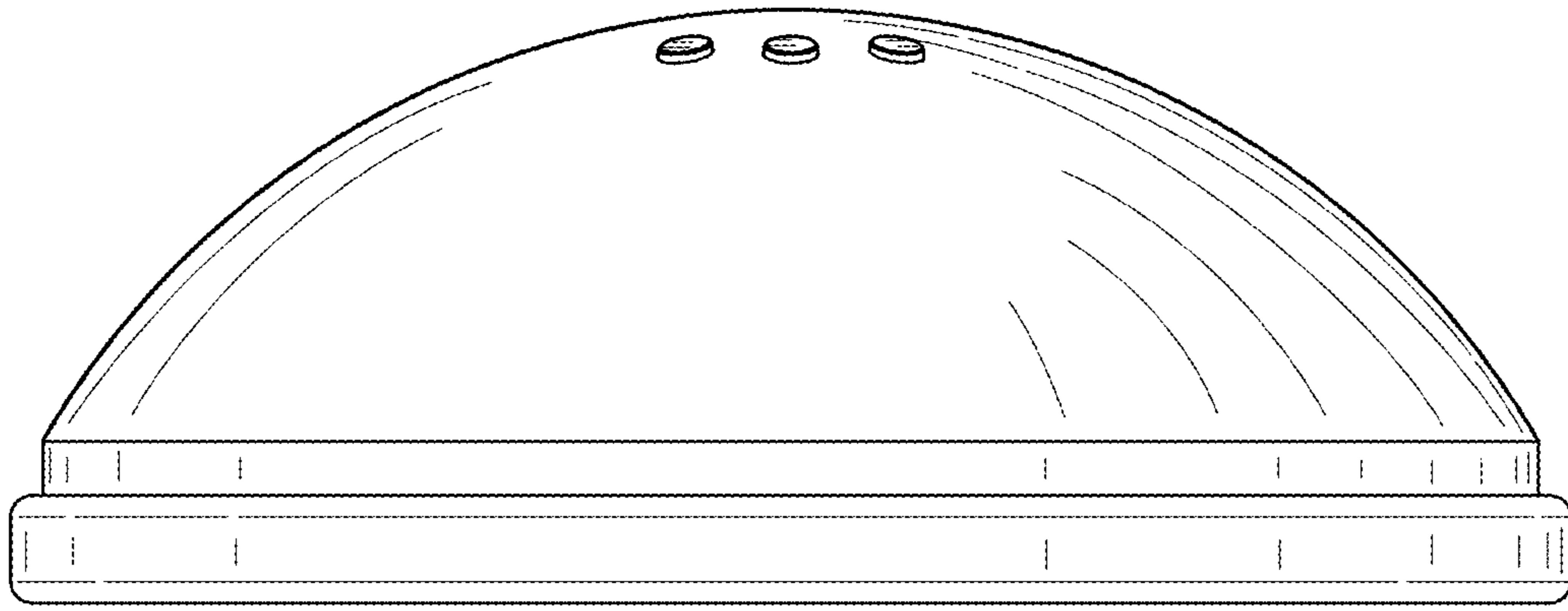
U.S. PATENT DOCUMENTS

D856,961 S \* 8/2019 Suzuki ..... H04R 7/127  
D14/149

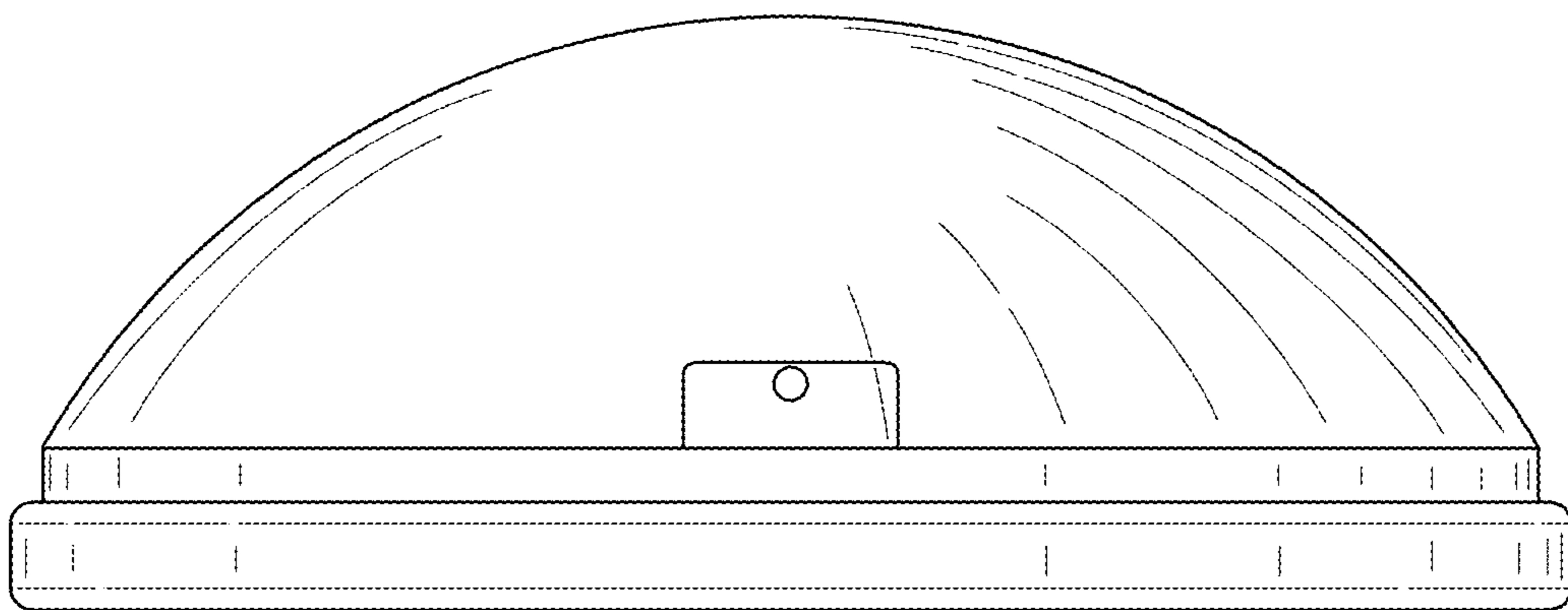
\* cited by examiner



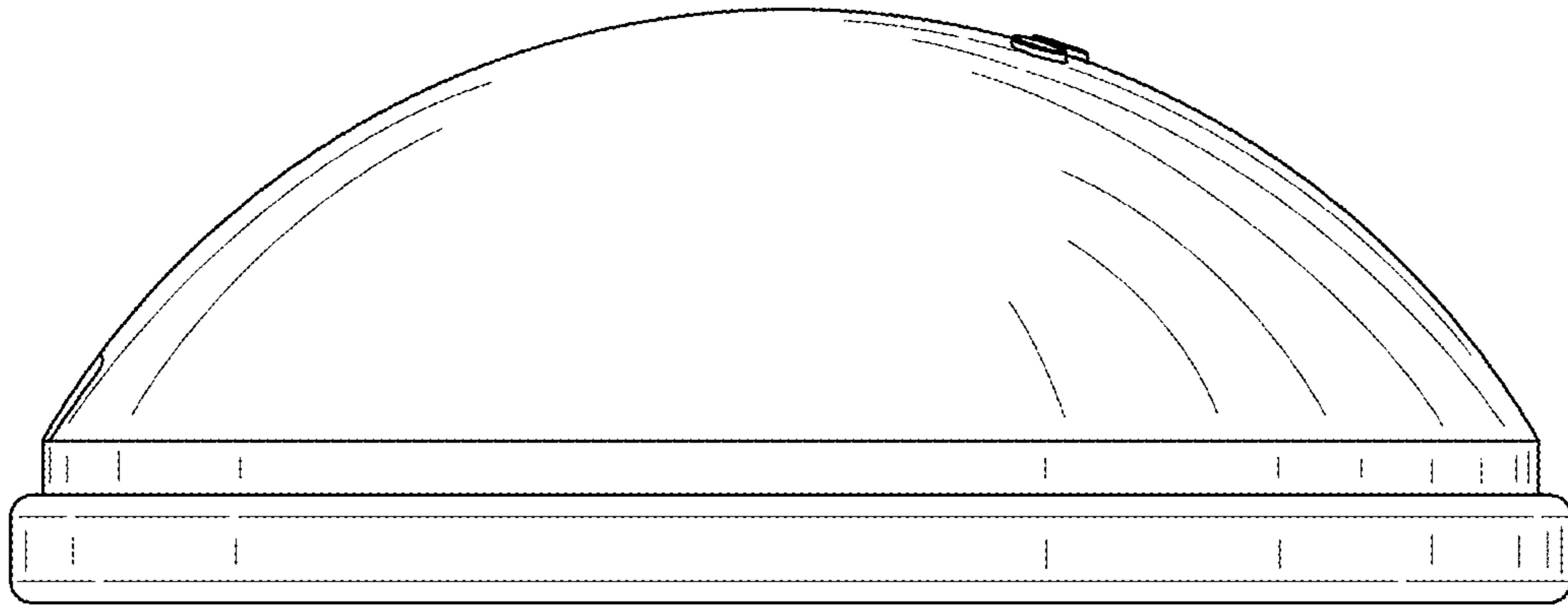
**FIG. 1**



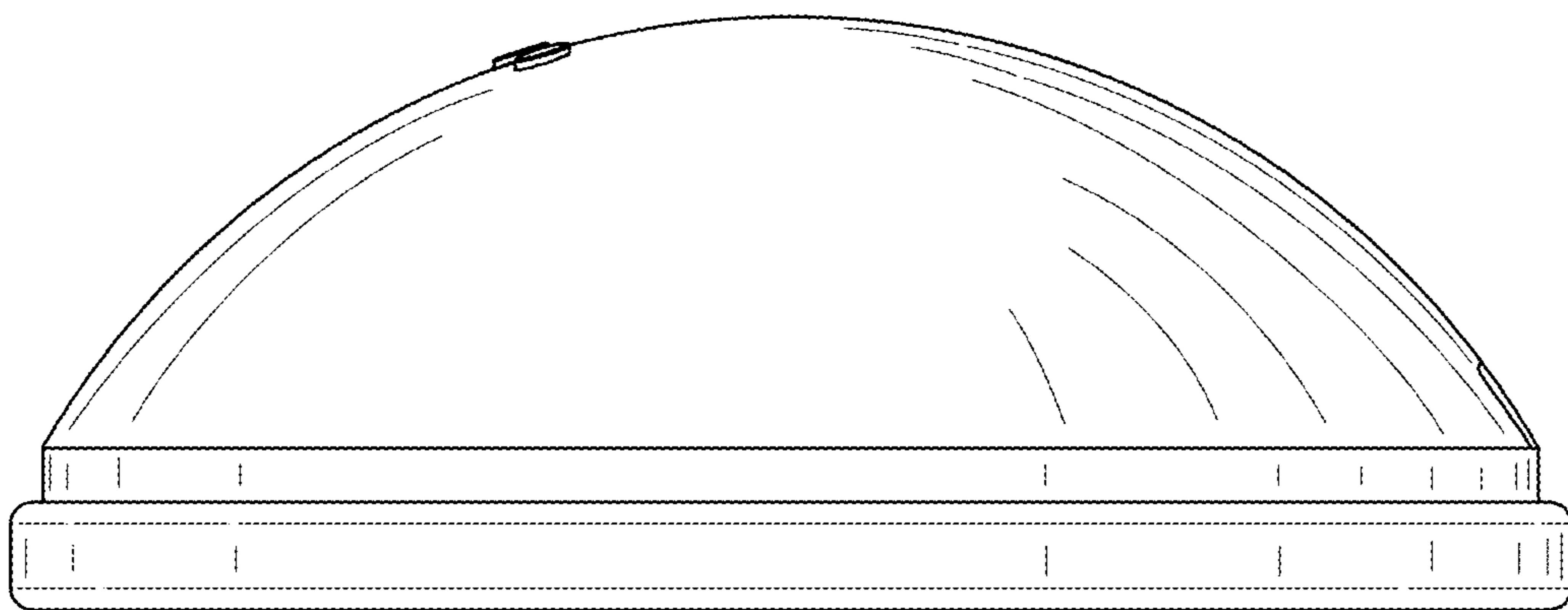
**FIG. 2**



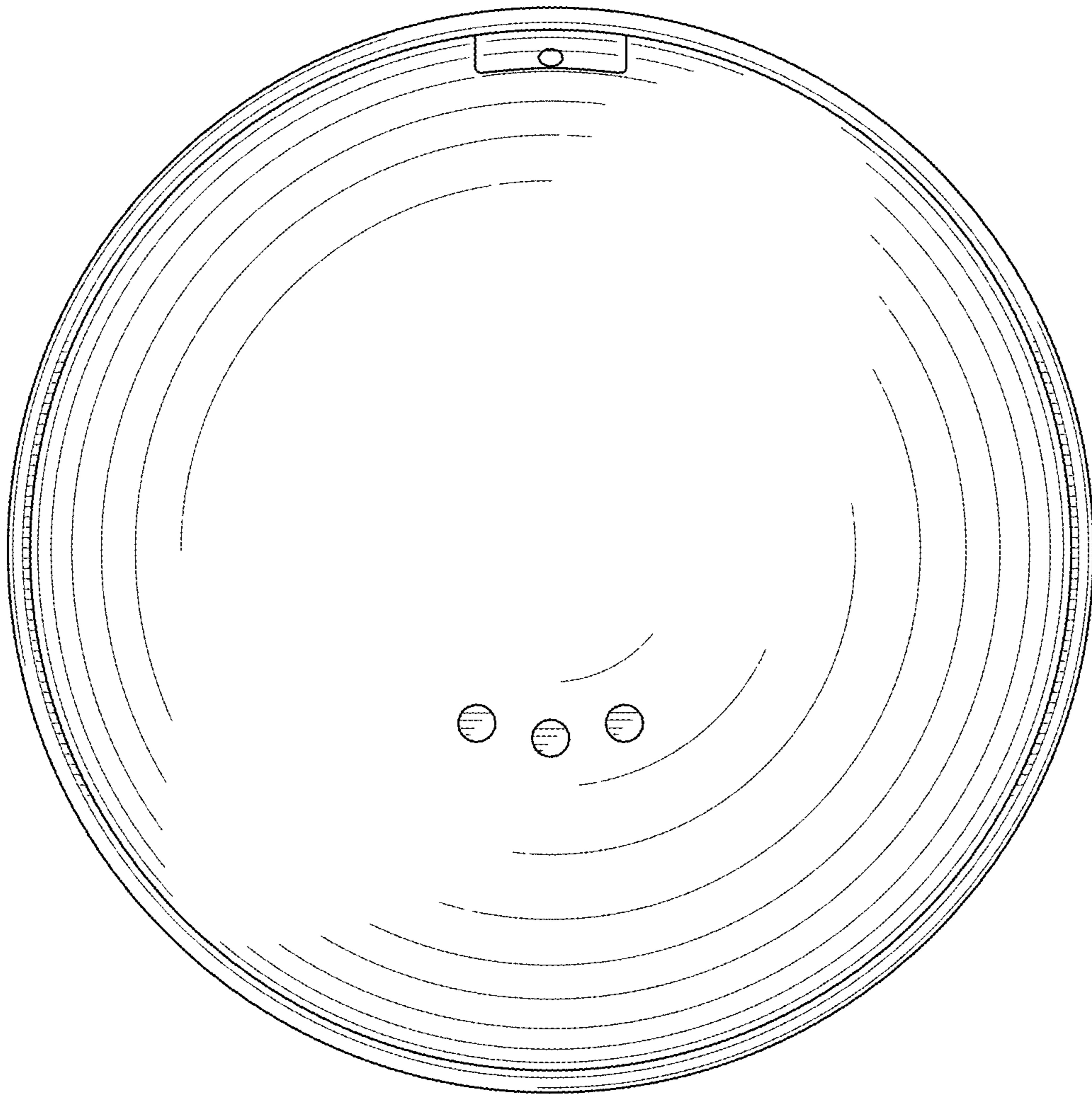
**FIG. 3**



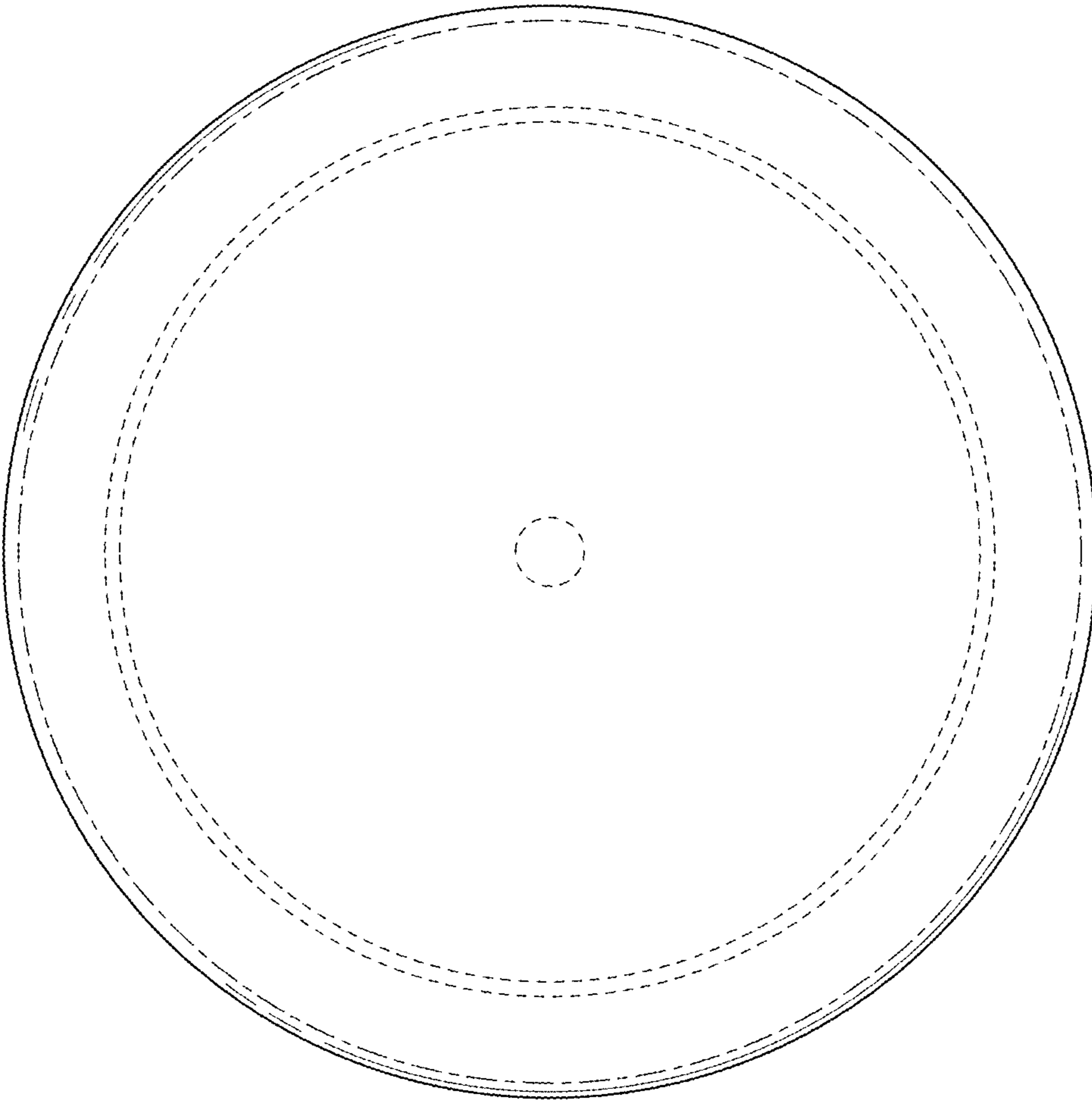
**FIG. 4**



**FIG. 5**



**FIG. 6**



**FIG. 7**