



US00D933627S

(12) **United States Design Patent**  
**Ribeiro**

(10) **Patent No.:** **US D933,627 S**

(45) **Date of Patent:** **\*\* Oct. 19, 2021**

(54) **WIRELESS NETWORKING NODE FOR MOUNTING ON AN AERIAL LIGHTING FIXTURE**

47/11; H05B 47/175; H05B 47/18; H05B 47/19; H01R 33/90; H01R 33/945; B60Q 7/00

See application file for complete search history.

(71) Applicant: **Ubicquia LLC**, Melbourne, FL (US)

(56) **References Cited**

(72) Inventor: **Claudio Santiago Ribeiro**, Melbourne, FL (US)

U.S. PATENT DOCUMENTS

(73) Assignee: **Ubicquia, Inc.**, Fort Lauderdale, FL (US)

D325,570 S *	4/1992	Jones	.....	D10/121
D340,457 S *	10/1993	Lennon, III	.....	D10/46
D342,250 S *	12/1993	Beaumont	.....	D13/184
D346,152 S *	4/1994	Zaugg	.....	D13/168
D346,172 S *	4/1994	Fields	.....	D14/137
D363,891 S *	11/1995	Gough	.....	D10/106.6
D375,097 S *	10/1996	Kovens	.....	D10/106.1

(Continued)

(\*\*) Term: **15 Years**

*Primary Examiner* — Marie D. Fast Horse

(21) Appl. No.: **29/737,487**

(74) *Attorney, Agent, or Firm* — Thomas J. Satagaj

(22) Filed: **Jun. 9, 2020**

(51) **LOC (13) Cl.** ..... **14-03**

(52) **U.S. Cl.**  
USPC ..... **D14/140.6; D14/242**

(57) **CLAIM**

The ornamental design for a wireless networking node for mounting on an aerial lighting fixture, as shown and described.

(58) **Field of Classification Search**

USPC ..... D14/140, 140.1, 140.2, 140.3, 140.4, D14/140.5, 140.6, 142, 155, 168, 230, D14/233, 240, 242, 243, 255, 299, 496, D14/356, 358, 236; D13/123, 152, 154, D13/158, 184, 199, 101, 110, 111, 112, D13/114, 160; D10/46, 75, 103, 104.1, D10/121, 106.1, 106.6, 106.3, 109.1, D10/109.2, 111, 114.1, 114.2, 114.6, D10/114.8; D26/72, 80, 81, 85, 88, 67, D26/68-71, 113, 138

CPC .... F21S 8/006; F21S 8/08; F21S 8/081; F21S 8/032; F21S 8/085; F21S 8/086; F21S 8/088; F21S 9/03; F21S 9/032; F21S 9/035; F21S 9/037; F21V 23/04; F21V 23/0435; F21V 23/03; F21V 23/032; F21V 23/035; F21V 23/037; F21V 23/06; F21W 2131/109; H04W 88/08; H04W 16/24; H04W 8/245; H04W 84/042; H04W 84/045; H04W 84/047; H04W 4/80; H04M 1/72522; H04M 1/72525; H04B 10/25891; H04B 10/40; H05B

**DESCRIPTION**

FIG. 1 is top-front-side perspective view of a wireless networking node for mounting on an aerial lighting fixture showing my new design.

FIG. 2 is a bottom-rear-side perspective view thereof.

FIG. 3 is a front elevational view thereof.

FIG. 4 is a rear elevational view thereof.

FIG. 5 is a left side elevational view thereof.

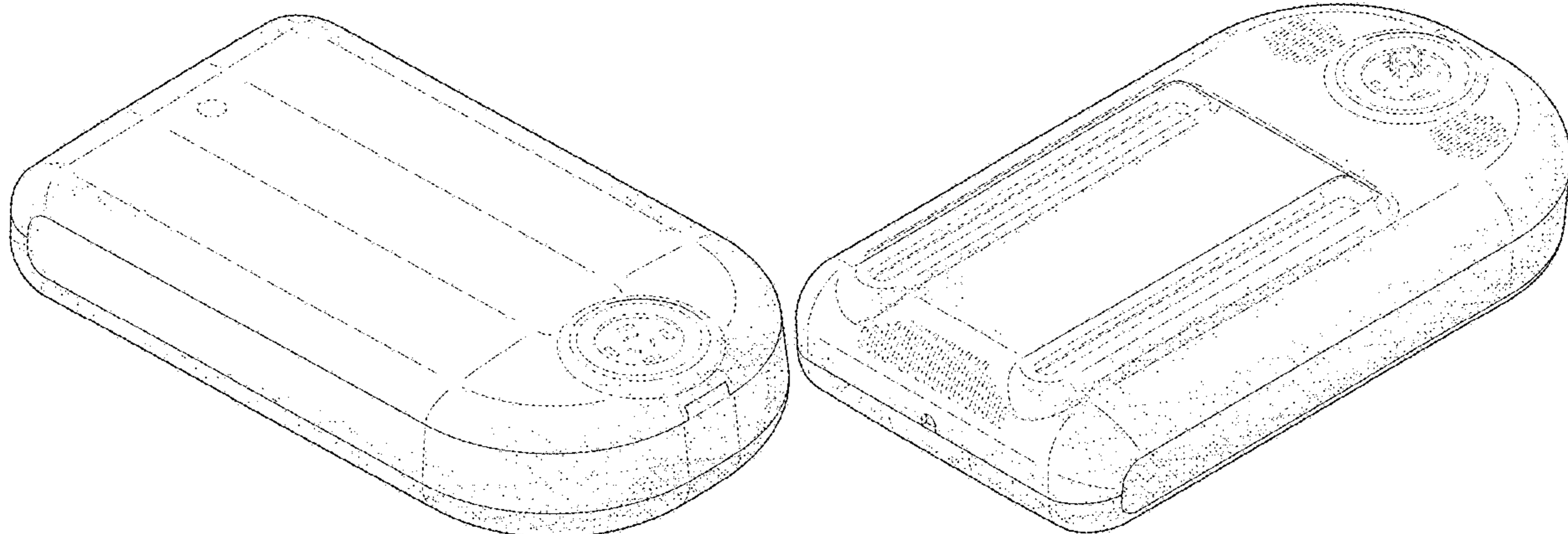
FIG. 6 is a right side elevational view thereof.

FIG. 7 is a top plan view thereof; and,

FIG. 8 is a bottom plan view thereof.

Broken lines in FIGS. 1-8 depict portions of the wireless networking node for mounting on an aerial lighting fixture that form no part of the claimed design. Stippling and tangency lines shown in the drawings are intended to represent the approximate three-dimensional contour of the design and are not intended to indicate surface decoration.

**1 Claim, 6 Drawing Sheets**



(56)

References Cited

U.S. PATENT DOCUMENTS

D377,339 S \* 1/1997 Beruscha ..... D10/75  
 D378,067 S \* 2/1997 Sirois ..... D10/104.1  
 D383,454 S \* 9/1997 Osit ..... D14/402  
 D436,585 S \* 1/2001 Nuk ..... D14/155  
 D440,890 S \* 4/2001 Warner ..... D10/65  
 D449,301 S \* 10/2001 Stephens ..... D14/358  
 D462,675 S \* 9/2002 Kusz ..... D14/140.6  
 D463,991 S \* 10/2002 Curry ..... D10/104.1  
 D471,535 S \* 3/2003 Bey ..... D14/218  
 D484,879 S \* 1/2004 Jones ..... D14/358  
 D493,447 S \* 7/2004 Noro ..... D14/230  
 D496,346 S \* 9/2004 Fuss ..... D14/188  
 D497,318 S \* 10/2004 Strand ..... D10/104.1  
 D539,951 S \* 4/2007 Qui ..... D26/37  
 D550,168 S \* 9/2007 Chang ..... D13/168  
 D550,659 S \* 9/2007 Noro ..... D14/230  
 D559,233 S \* 1/2008 Tang ..... D14/230  
 D564,479 S \* 3/2008 Black ..... D14/138 AA  
 D565,534 S \* 4/2008 Ingalsbe ..... D14/155  
 D577,721 S \* 9/2008 O'Neil ..... D14/358  
 D586,810 S \* 2/2009 Hershey ..... D14/358  
 D587,268 S \* 2/2009 Hershey ..... D14/358  
 D592,213 S \* 5/2009 Hershey ..... D14/358  
 D606,983 S \* 12/2009 Hamer ..... D14/240  
 D619,545 S \* 7/2010 Chiu ..... D13/168  
 D646,259 S \* 10/2011 Daniel ..... D14/155  
 D649,151 S \* 11/2011 Ramones ..... D14/358  
 D674,787 S \* 1/2013 Tsuda ..... D14/240  
 D674,788 S \* 1/2013 Tsuda ..... D14/240  
 D694,740 S \* 12/2013 Apostolakis ..... D14/240  
 D701,782 S \* 4/2014 Lekgoathi ..... D10/81  
 D713,092 S \* 9/2014 Smith ..... D26/118  
 D720,335 S \* 12/2014 Ervin ..... D14/240

D720,336 S \* 12/2014 Ervin ..... D14/240  
 D741,285 S \* 10/2015 Boynton ..... D14/188  
 D745,865 S \* 12/2015 Hsu ..... D14/240  
 D765,061 S \* 8/2016 Heil ..... D14/229  
 D778,906 S \* 2/2017 Grubel ..... D14/358  
 D867,320 S \* 11/2019 Aaron ..... D14/140.6  
 D867,321 S \* 11/2019 Zimmerman, III ..... D14/140.6  
 D868,015 S \* 11/2019 Zimmerman, III ..... D14/140.6  
 D868,016 S \* 11/2019 Zimmerman, III ..... D14/140.6  
 D868,722 S \* 12/2019 Zimmerman, III ..... D14/140.6  
 D871,361 S \* 12/2019 Aaron ..... D14/140.6  
 D875,705 S \* 2/2020 Zimmerman, III ..... D14/140.6  
 D880,444 S \* 4/2020 Bembridge ..... D14/140.6  
 D888,696 S \* 6/2020 Carson ..... D14/230  
 D892,758 S \* 8/2020 Zimmerman, III ..... D14/140.6  
 D892,759 S \* 8/2020 Zimmerman, III ..... D14/140.6  
 D892,760 S \* 8/2020 Aaron ..... D14/140.6  
 D893,442 S \* 8/2020 Zimmerman, III ..... D14/140.6  
 D894,860 S \* 9/2020 Root ..... D14/140.6  
 D894,861 S \* 9/2020 Root ..... D14/140.6  
 D897,326 S \* 9/2020 Araki ..... D14/240  
 11,019,244 B2 \* 5/2021 Clynne ..... G03B 5/00  
 11,019,492 B2 \* 5/2021 Magnan ..... H04W 12/08  
 2004/0192415 A1 \* 9/2004 Luglio ..... H04B 1/38  
 455/575.1  
 2014/0292593 A1 \* 10/2014 Thiam ..... H01Q 9/0421  
 343/713  
 2017/0041535 A1 \* 2/2017 Nguyen ..... G08B 13/1963  
 2017/0311424 A1 \* 10/2017 Vendetti ..... H05B 47/19  
 2018/0045388 A1 \* 2/2018 McDowell ..... H02G 1/00  
 2018/0172243 A1 \* 6/2018 Clynne ..... H04W 84/18  
 2018/0292056 A1 \* 10/2018 Kim ..... F21S 8/086  
 2019/0341732 A1 \* 11/2019 Aaron ..... F21V 23/06  
 2020/0088390 A1 \* 3/2020 Stegeman ..... H05B 47/115  
 2020/0300279 A1 \* 9/2020 Root ..... H04W 4/00

\* cited by examiner

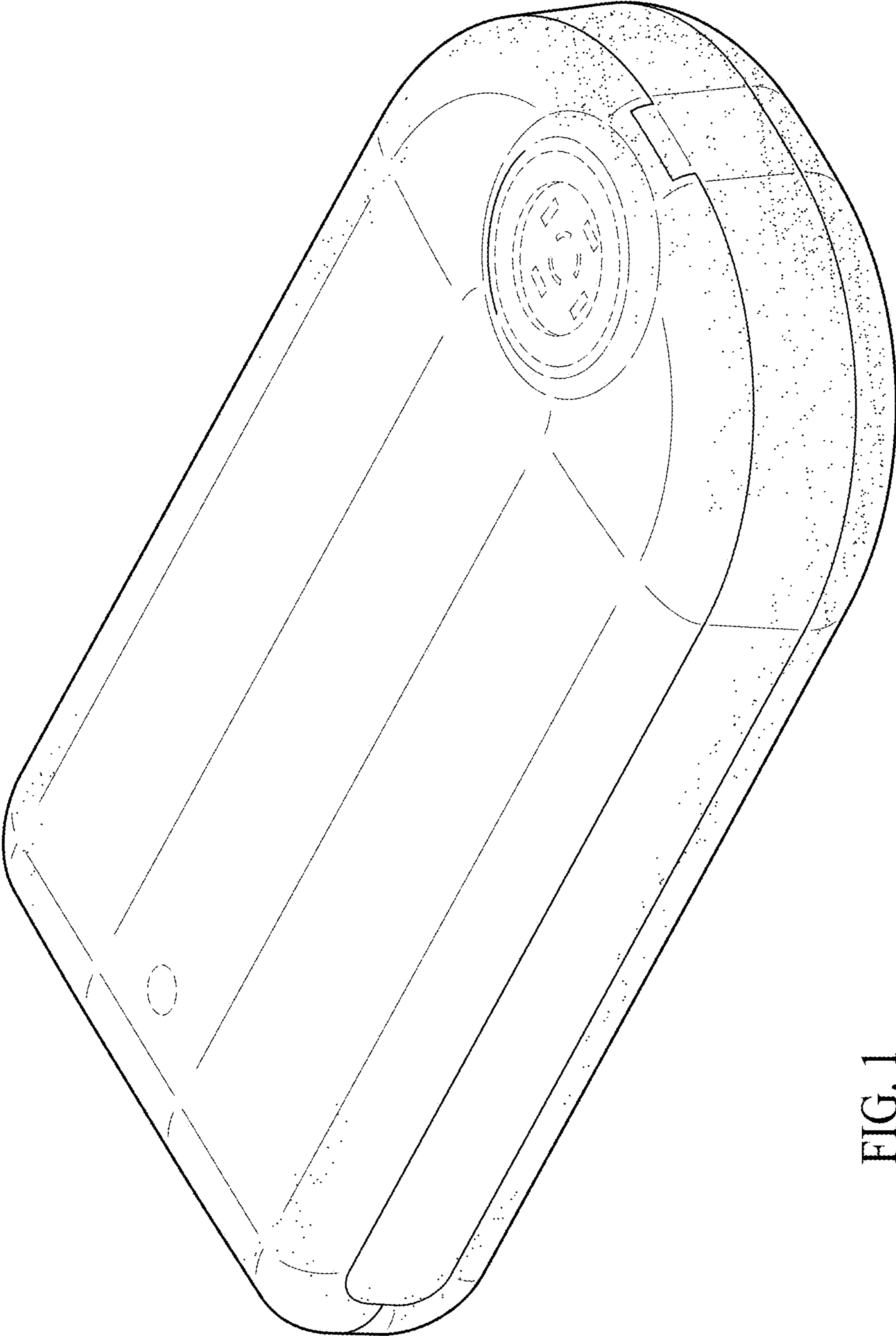


FIG. 1

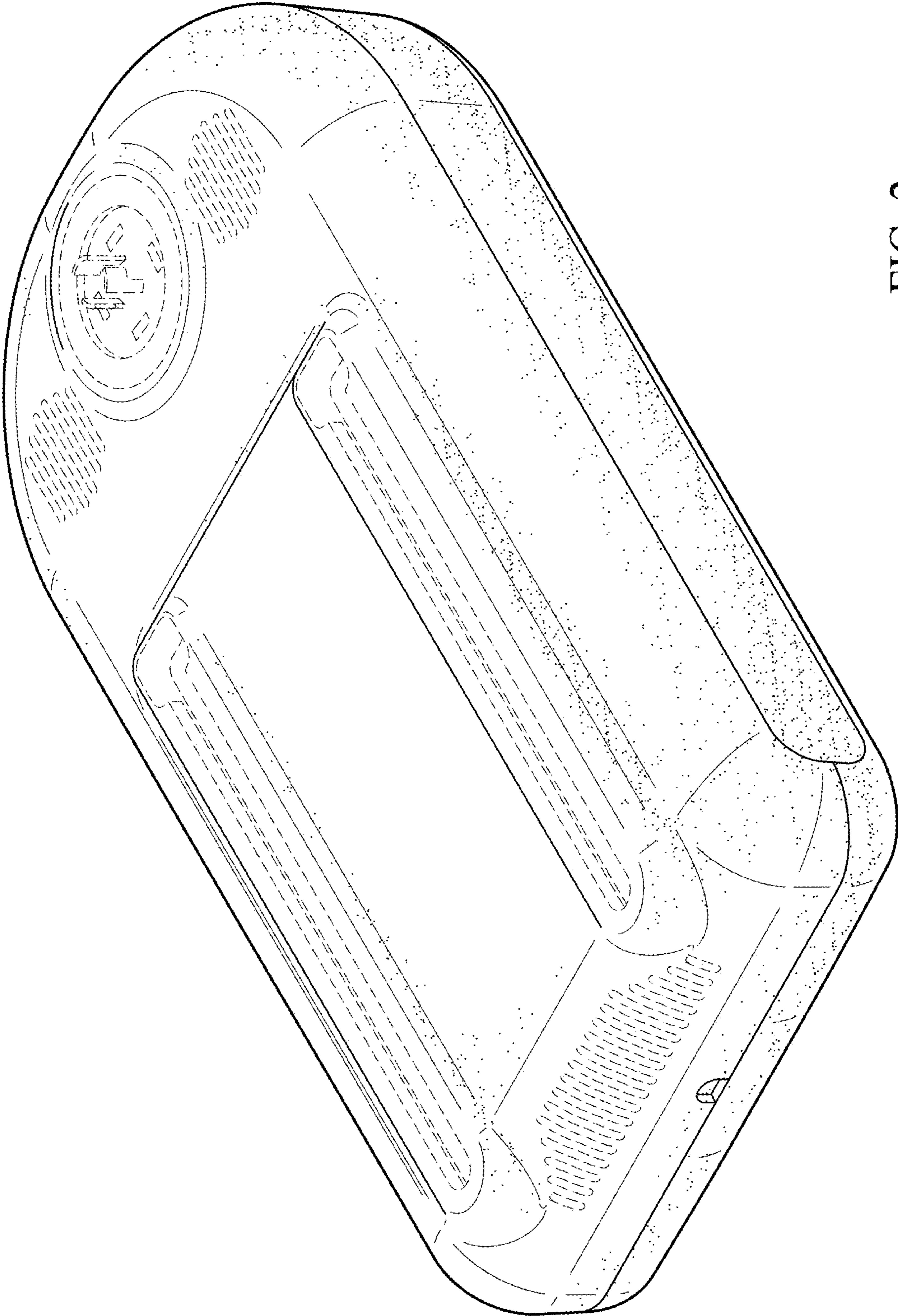


FIG. 2

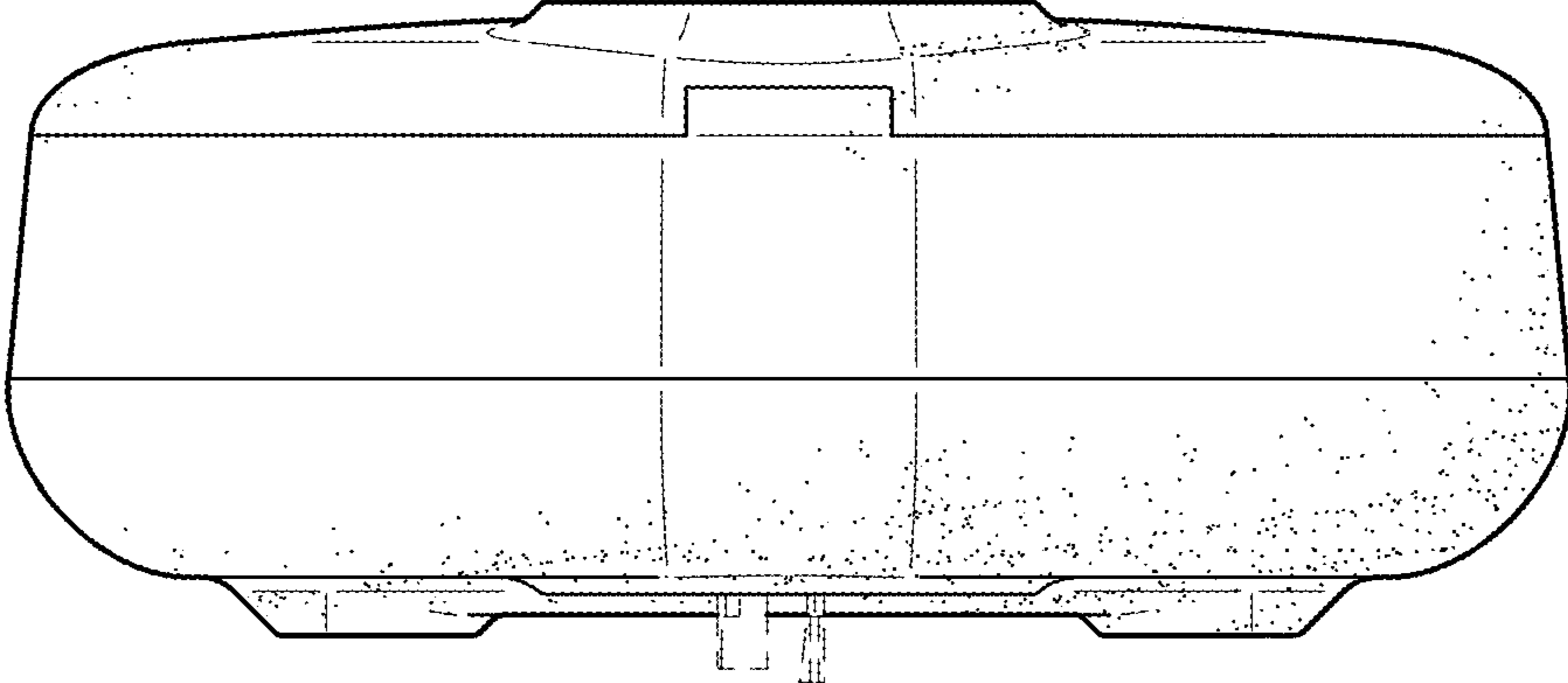


FIG. 3

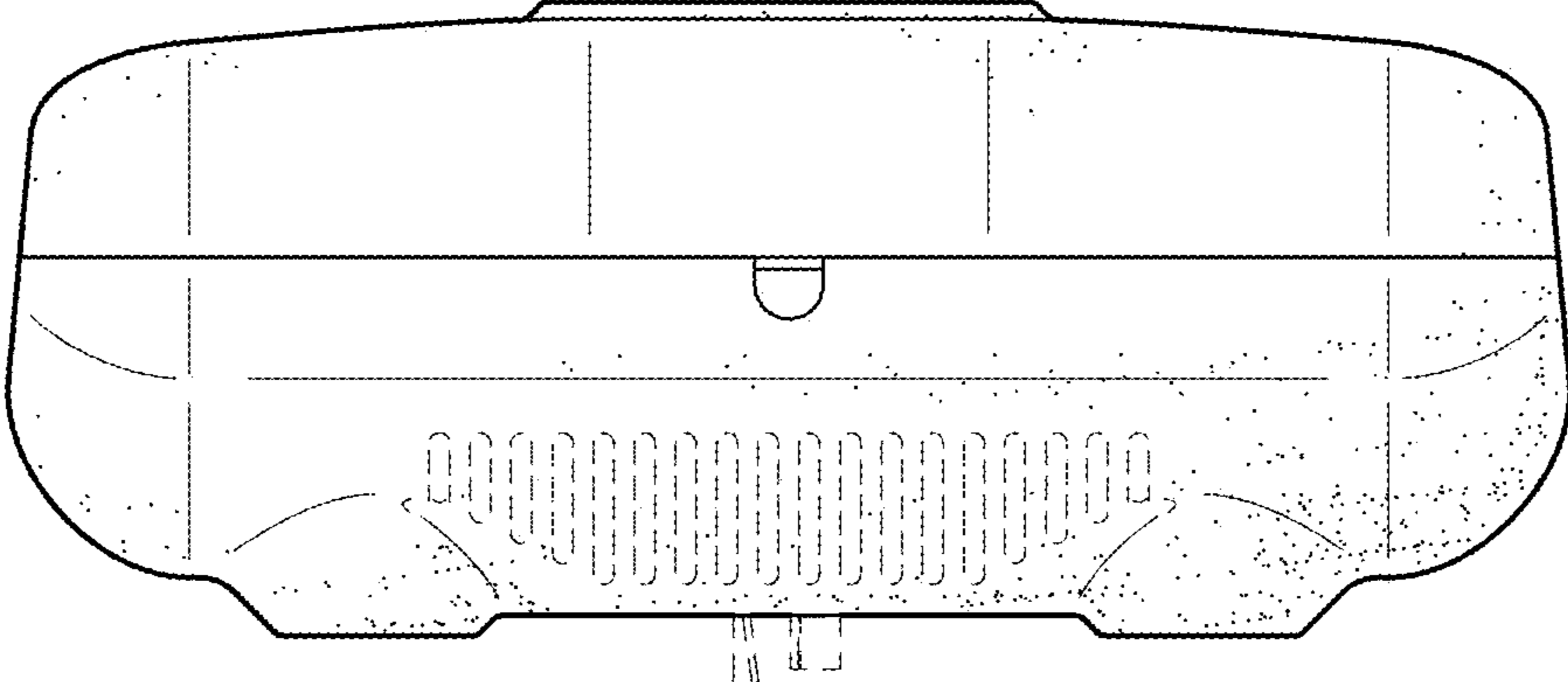


FIG. 4

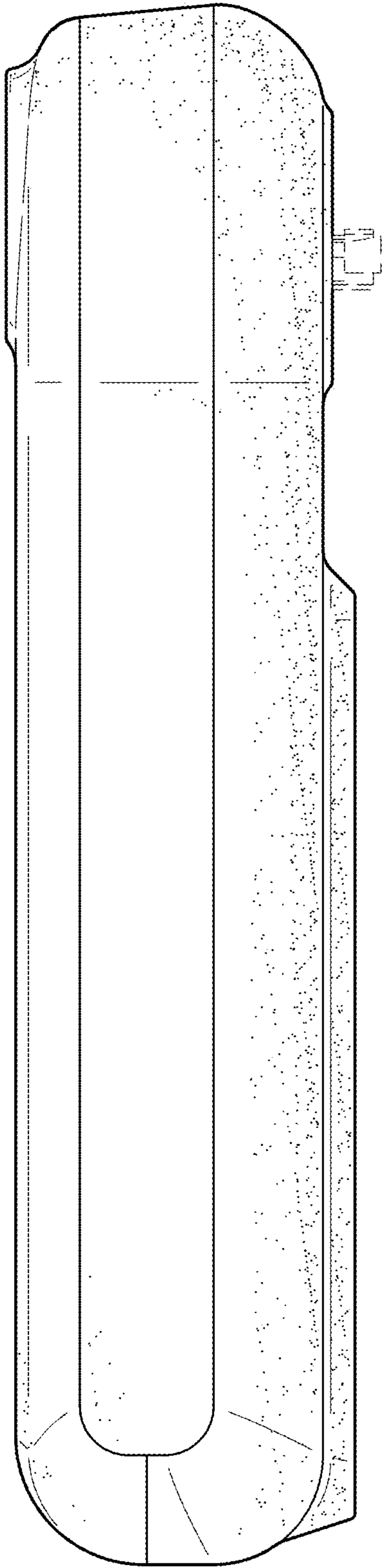


FIG. 5

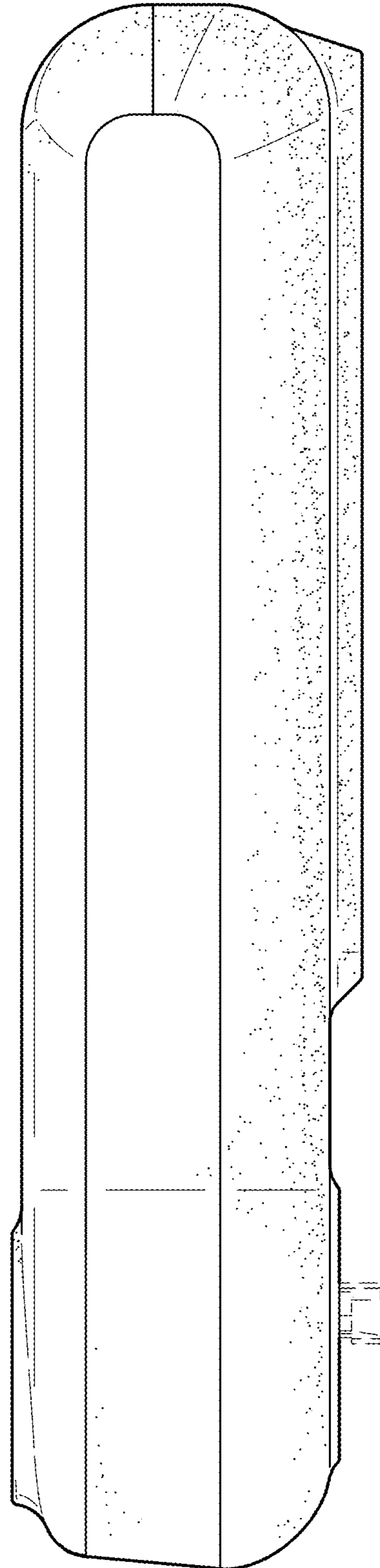


FIG. 6

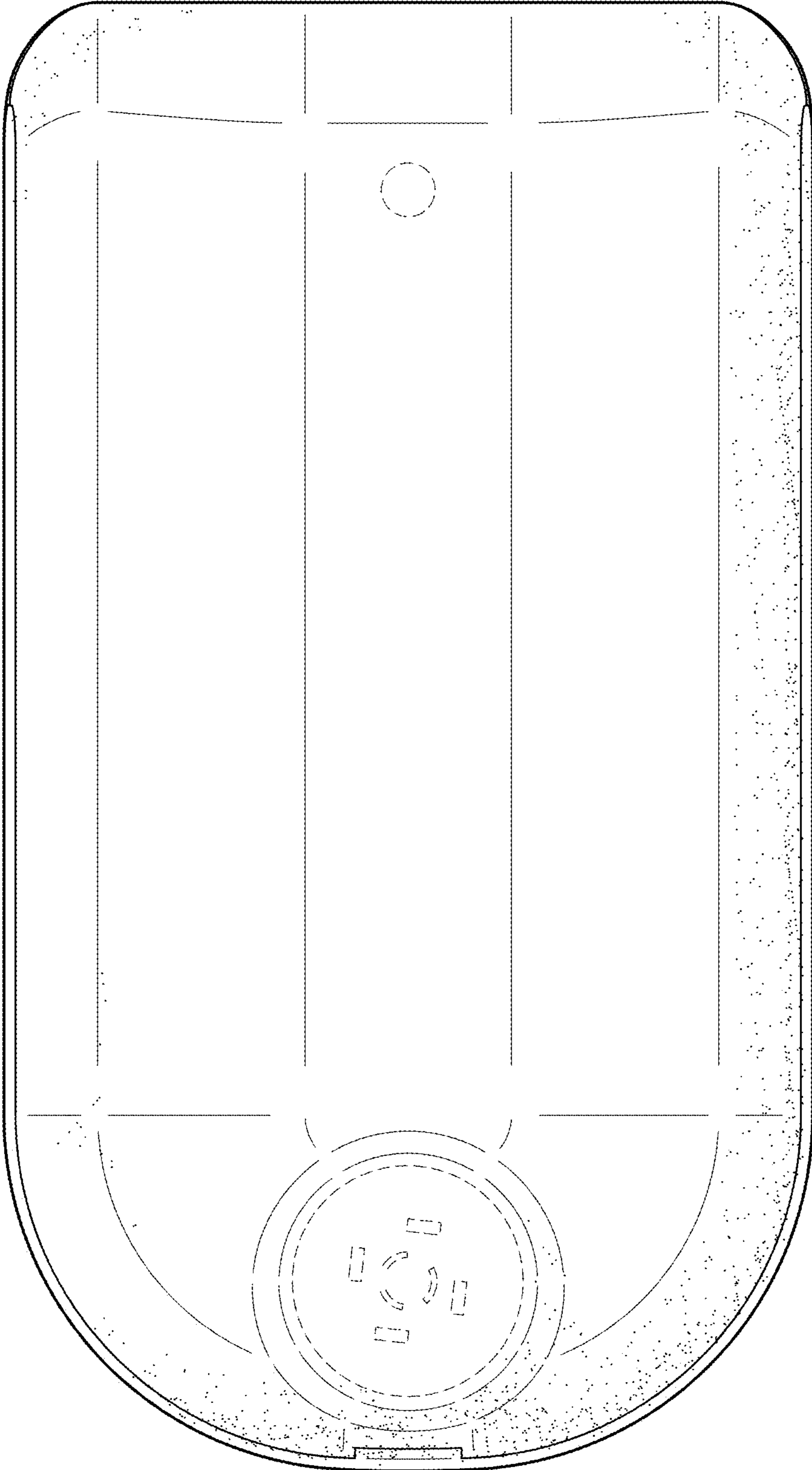


FIG. 7

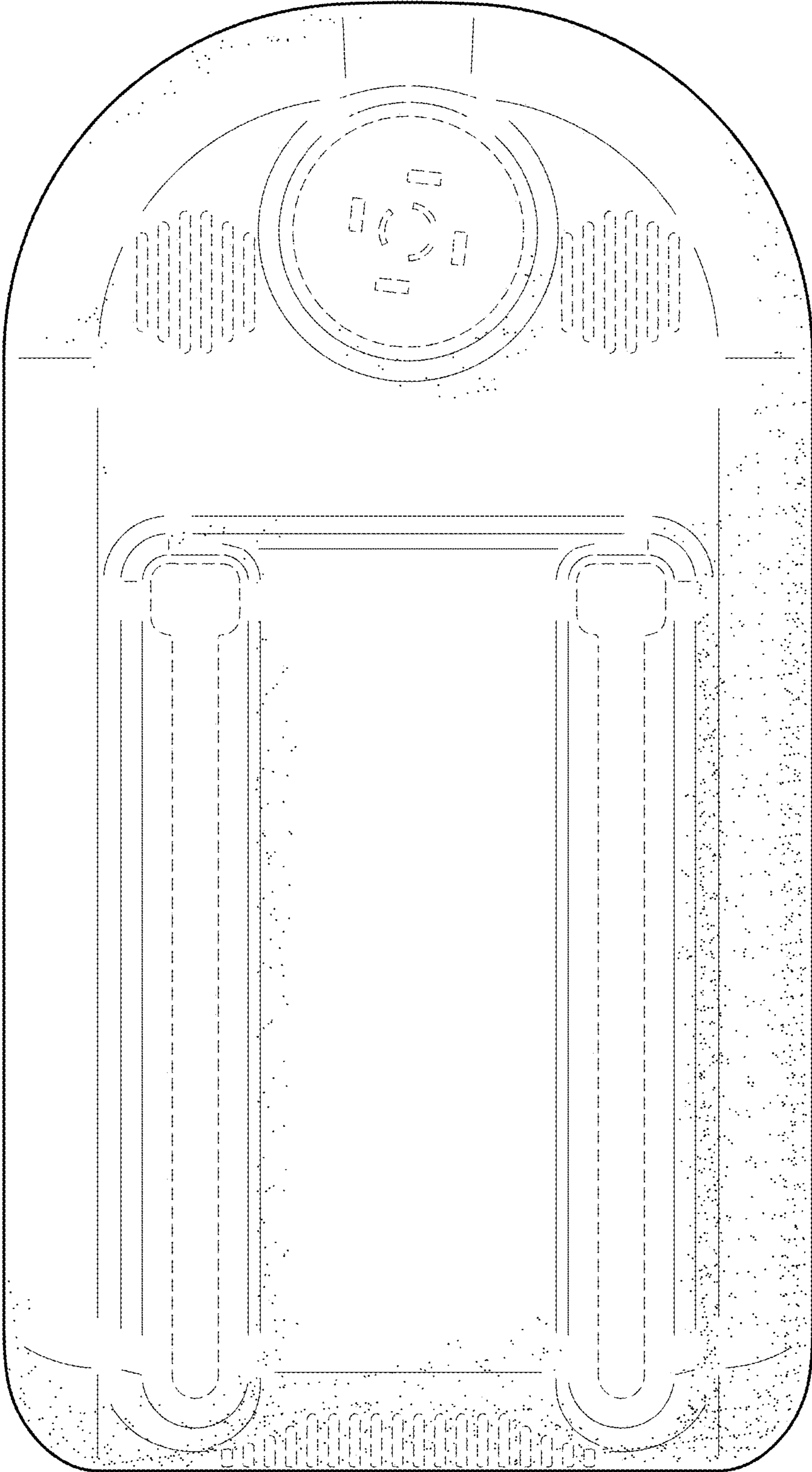


FIG. 8