



US00D933624S

(12) **United States Design Patent** (10) **Patent No.:** **US D933,624 S**  
**Ishii** (45) **Date of Patent:** **\*\* Oct. 19, 2021**

(54) **MOBILE PHONE**

FOREIGN PATENT DOCUMENTS

(71) Applicant: **KYOCERA Corporation**, Kyoto (JP)

JP 1424658 S 10/2011  
JP 1424674 S 10/2011

(72) Inventor: **Atsushi Ishii**, Yokohama (JP)

(Continued)

(73) Assignee: **KYOCERA Corporation**, Kyoto (JP)

OTHER PUBLICATIONS

(\*\*) Term: **15 Years**

Kyocera DuraXE, date first available: Mar. 2, 2016, [retrieved Aug. 10, 2021], Retrieved from Internet, URL: <https://www.amazon.com/Kyocera-DuraXE-Flip-phone-Unlocked-Networks/dp/B01CDJ7I5K> (Year: 2016).\*

(21) Appl. No.: **29/658,706**

(22) Filed: **Aug. 2, 2018**

(Continued)

(30) **Foreign Application Priority Data**

*Primary Examiner* — Barbara Fox  
*Assistant Examiner* — Aram Kwon  
(74) *Attorney, Agent, or Firm* — Kenja IP Law PC

Jun. 22, 2018 (JP) ..... 2018-013777

(51) **LOC (13) Cl.** ..... **14-03**

(52) **U.S. Cl.**  
USPC ..... **D14/138 AB; D14/138 R**

(58) **Field of Classification Search**  
USPC ..... D14/138 AA, 138 AB, 138 AC, 138 AD, D14/138 C, 138 G, 248, 315–318, D14/341–347, 371, 374; D6/308, 310; D10/50, 65, 104.1; D18/6–7; D19/26, D19/59–60; D21/324, 329–330, 332  
CPC ... H04M 1/0202; H04M 1/0266; H04M 1/725  
See application file for complete search history.

(57) **CLAIM**

The ornamental design for a mobile phone, as shown and described.

**DESCRIPTION**

FIG. 1 is a front perspective view of a mobile phone, showing my new design in a closed state;  
FIG. 2 is a rear perspective view thereof;  
FIG. 3 is a front perspective view of the mobile phone, shown in an opened state;  
FIG. 4 is a rear perspective view thereof;  
FIG. 5 is a front view of the mobile phone, shown in a closed state;  
FIG. 6 is a rear view thereof;  
FIG. 7 is a top plan view thereof;  
FIG. 8 is a bottom view thereof;  
FIG. 9 is a right side view thereof;  
FIG. 10 is a left side view thereof;  
FIG. 11 is a front view of the mobile phone, shown in an opened state; and,  
FIG. 12 is a rear view thereof.

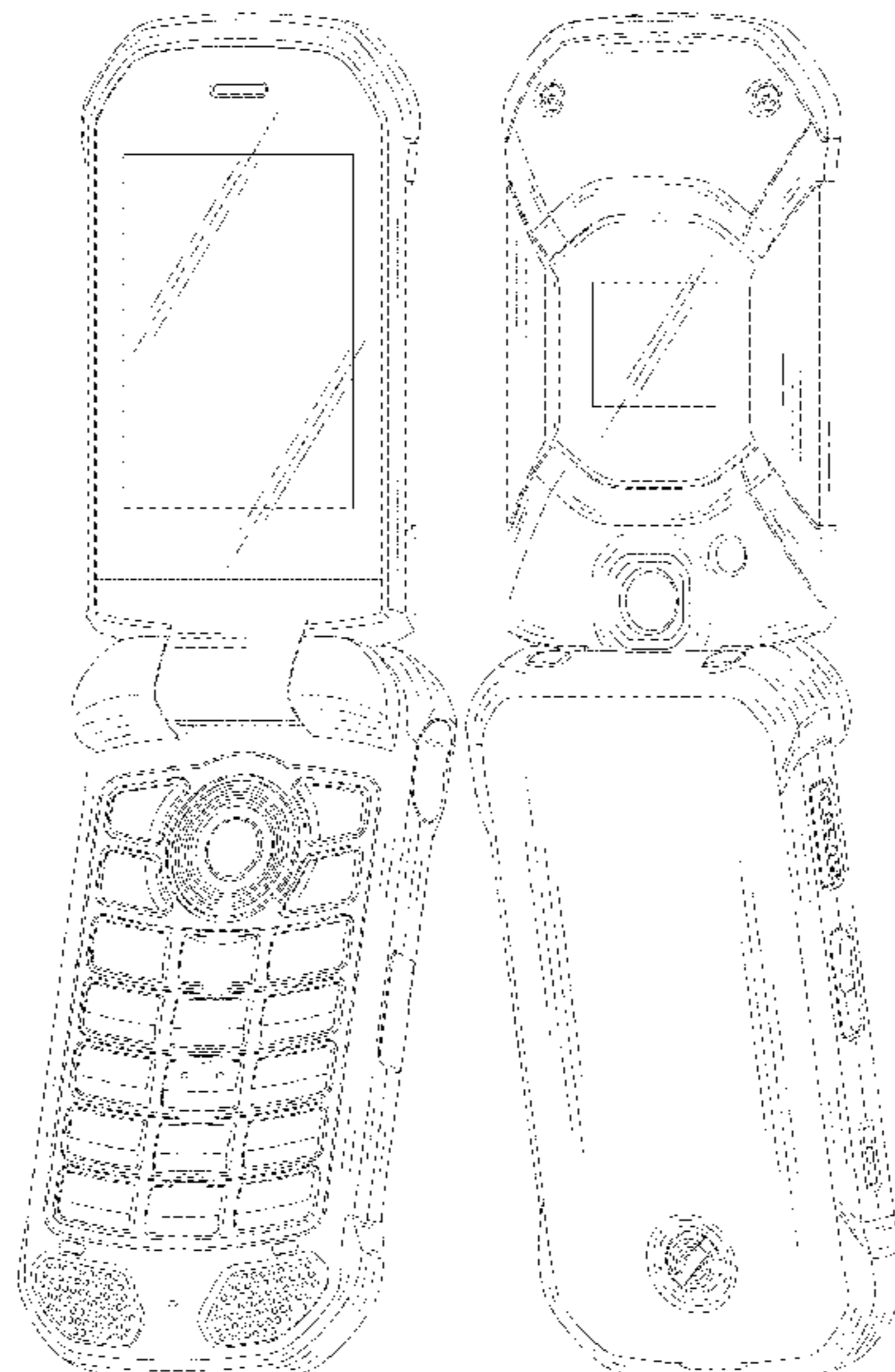
(56) **References Cited**

U.S. PATENT DOCUMENTS

D576,995 S \* 9/2008 Jinde ..... D14/138 AB  
D589,481 S \* 3/2009 Nara ..... D14/138 AB  
D609,684 S \* 2/2010 Nara ..... D14/138 AB  
D623,158 S \* 9/2010 Hunt ..... D14/138 AB  
D626,107 S \* 10/2010 Nara ..... D14/138 AB  
D635,117 S \* 3/2011 Hirota ..... D14/138 AB  
D647,871 S \* 11/2011 Han ..... D14/138 AB  
D648,696 S \* 11/2011 Hirota ..... D14/138 AB  
D649,133 S \* 11/2011 Goto ..... D14/138 AB

(Continued)

**1 Claim, 12 Drawing Sheets**



(56)

References Cited

U.S. PATENT DOCUMENTS

D682,240	S	*	5/2013	Hirota	.....	D14/138	AB
D707,196	S	*	6/2014	Meneses	.....	D14/138	AB
D751,524	S	*	3/2016	Nagao	.....	D14/138	AB
D777,133	S		1/2017	Ishii			
D803,202	S	*	11/2017	Takahashi	.....	D14/248	
D825,519	S	*	8/2018	Ishii	.....	D14/138	AB
D881,152	S	*	4/2020	Yao	.....	D14/138	AB
2012/0106106	A1	*	5/2012	Katou	.....	H01Q 1/243	361/752

FOREIGN PATENT DOCUMENTS

JP			1454996	S		11/2012	
JP			D1512175		*	11/2014	
JP			1537369	S		11/2015	
JP			D1574807		*	4/2017	
JP			D1622504		*	1/2019	
JP			D1655912		*	3/2020	
JP			D1678329		*	2/2021	

OTHER PUBLICATIONS

Kyocera DuraXV, date first available: Jul. 1, 2020, [retrieved Aug. 10, 2021], Retrieved from Internet, URL: <[https://www.amazon.com/Kyocera-Extreme-Verizon-Ultra-Rugged-1770mAh/dp/B08C6YB4LY/ref=asc\\_df\\_B08C6YB4LY/?tag=hyprod-20&linkCode=df%E2%80%A6](https://www.amazon.com/Kyocera-Extreme-Verizon-Ultra-Rugged-1770mAh/dp/B08C6YB4LY/ref=asc_df_B08C6YB4LY/?tag=hyprod-20&linkCode=df%E2%80%A6)> (Year: 2020).\*

Forget iPhone SE, Apr. 16, 2020, [retrieved Aug. 10, 2021], Retrieved from Internet, URL: <<https://www.slashgear.com/forget-iphone-se-this-alcohol-proof-flip-phone-is-the-perfect-pandemic-mobile-16617043/>> (Year: 2020).\*

Kyocera DuraXV Plus, date not available, [retrieved Aug. 10, 2021], Retrieved from Internet, URL: <[https://www.electronicshobby.com/index.php?main\\_page=product\\_info&products\\_id=62882](https://www.electronicshobby.com/index.php?main_page=product_info&products_id=62882)> (Year: 2021).\*

Kyocera's enduring DuraXV feature handset, May 14, 2015, [retrieved Aug. 10, 2021], Retrieved from Internet, URL: <<https://www.cnet.com/pictures/kyocera-duraxv/>> (Year: 2015).\*

Kyocera DuraXE Epic, Jun. 2021, [retrieved Aug. 10, 2021], Retrieved from Internet, URL: <[https://www.ruggedpcpreview.com/3\\_handhelds\\_kyocera\\_duraxe\\_epic.html](https://www.ruggedpcpreview.com/3_handhelds_kyocera_duraxe_epic.html)> (Year: 2021).\*

cnet.com, Retrieved on Jul. 25, 2018, from URL: <https://www.cnet.com/reviews/motorola-brute-i686-graphite-sprint-nextel/review/>.

kyoceramobile.com, Retrieved on Jul. 25, 2018, from URL: <http://www.kyoceramobile.com/duraxt/>.

kyoceramobile.com, Retrieved on Jul. 25, 2018, from URL: <http://www.kyoceramobile.com/duraxv/>.

kyoceramobile.com, Retrieved on Jul. 25, 2018, from URL: <https://www.kyoceramobile.com/duraxe/>.

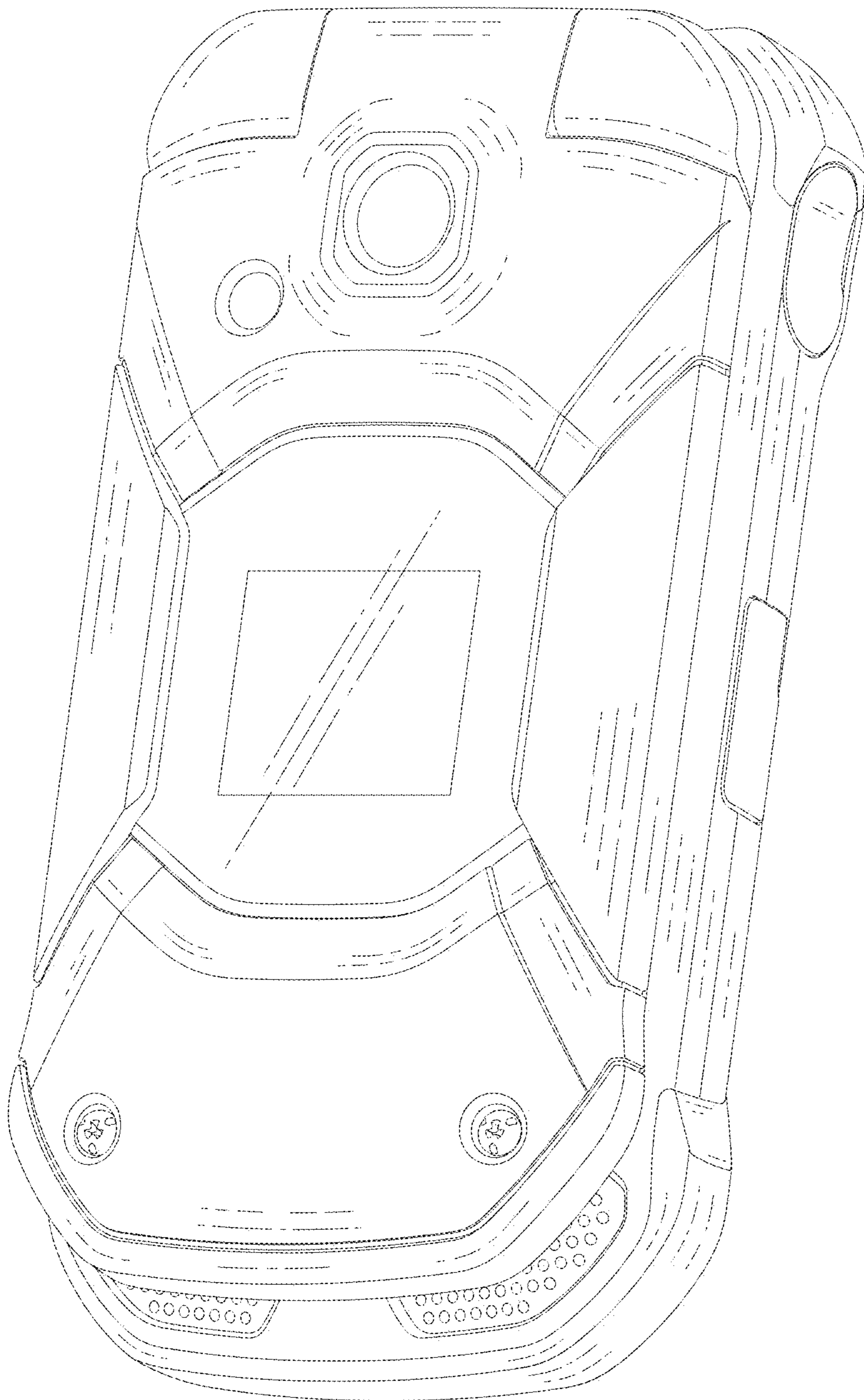
kyoceramobile.com, Retrieved on Jul. 25, 2018, from URL: <https://www.kyoceramobile.com/duraxv-lte/>.

Design U.S. Appl. No. 29/595,197, filed Feb. 27, 2017 in the name of Atsushi Ishii et al., entitled "Mobile Phone".

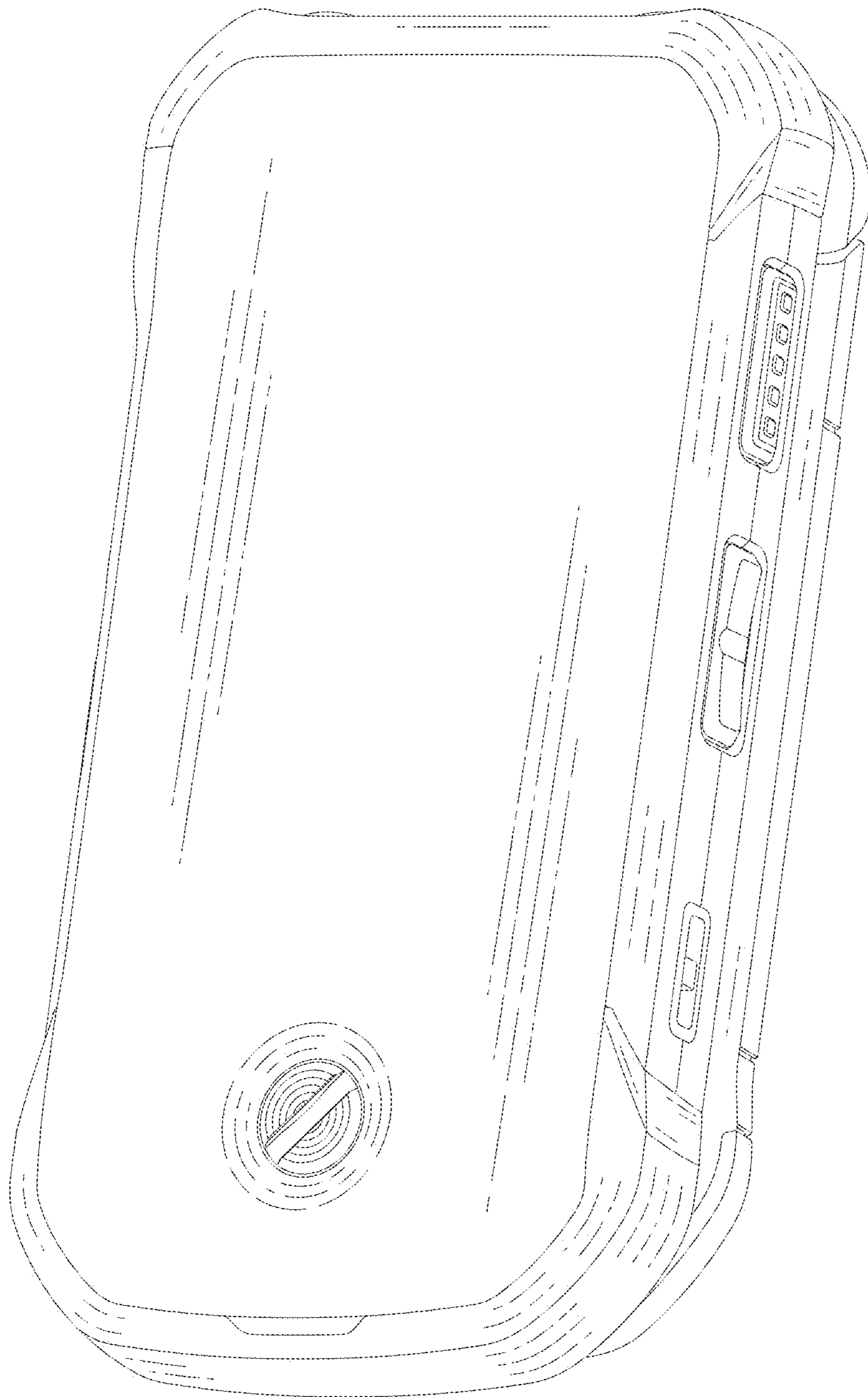
verizonwireless.com. Retrieved on Jul. 25, 2018, from URL: <https://www.verizonwireless.com/basic-phones/convoy-3/>.

\* cited by examiner

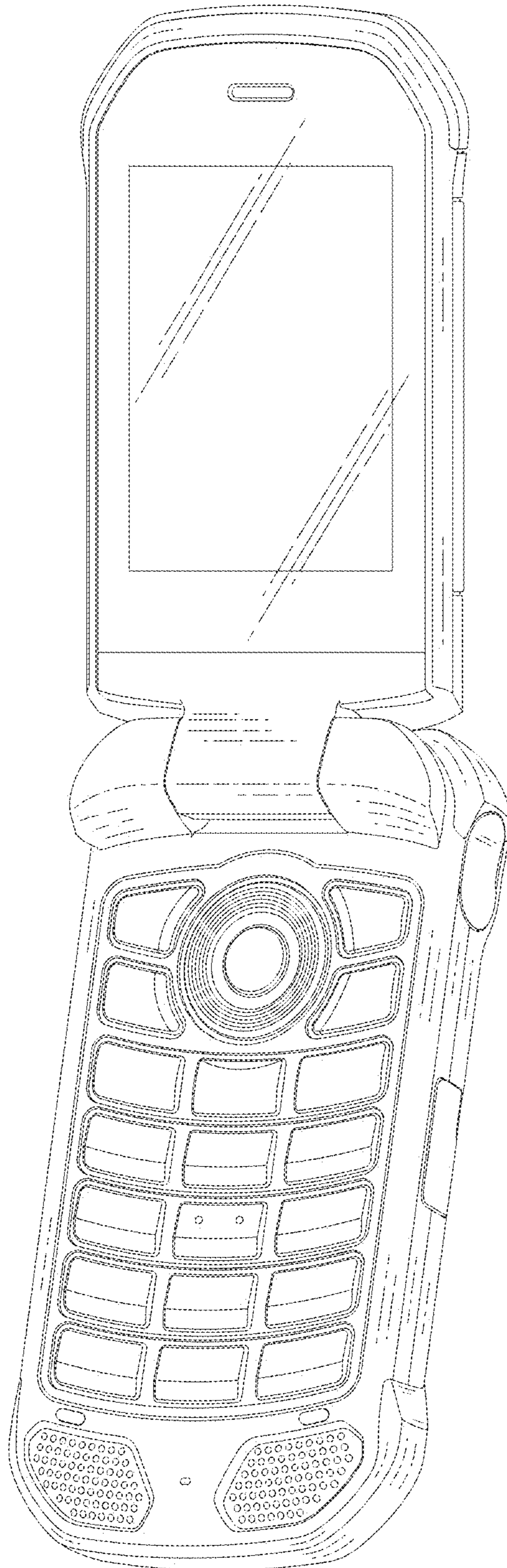
*FIG. 1*



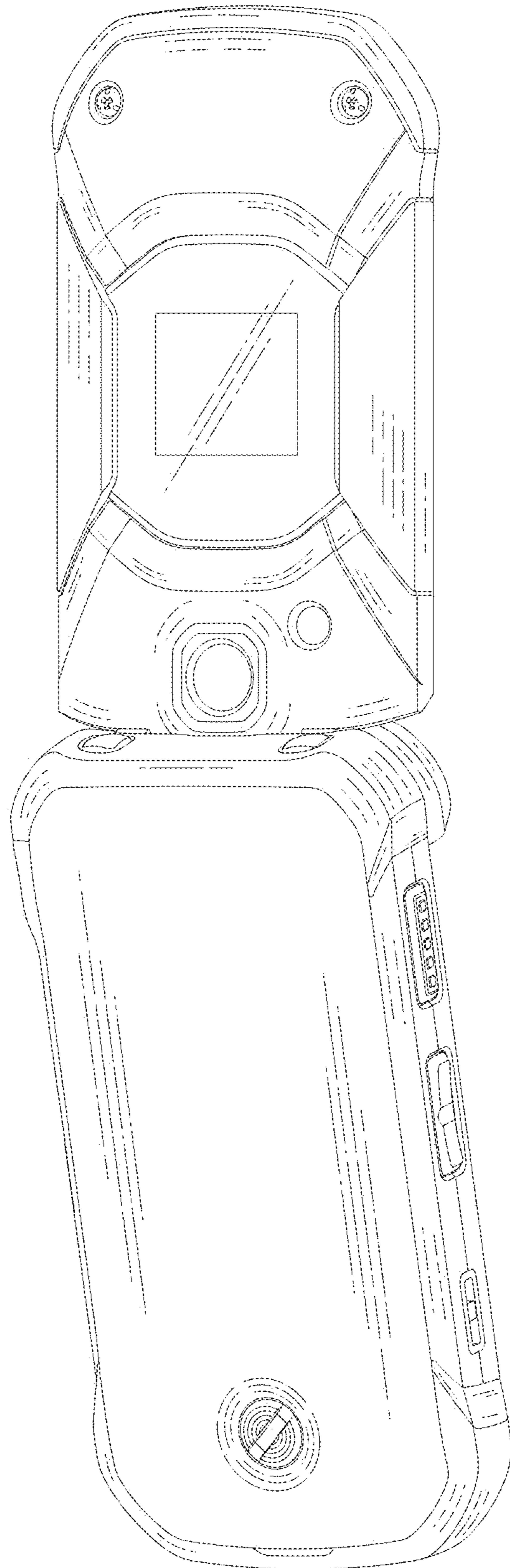
*FIG. 2*



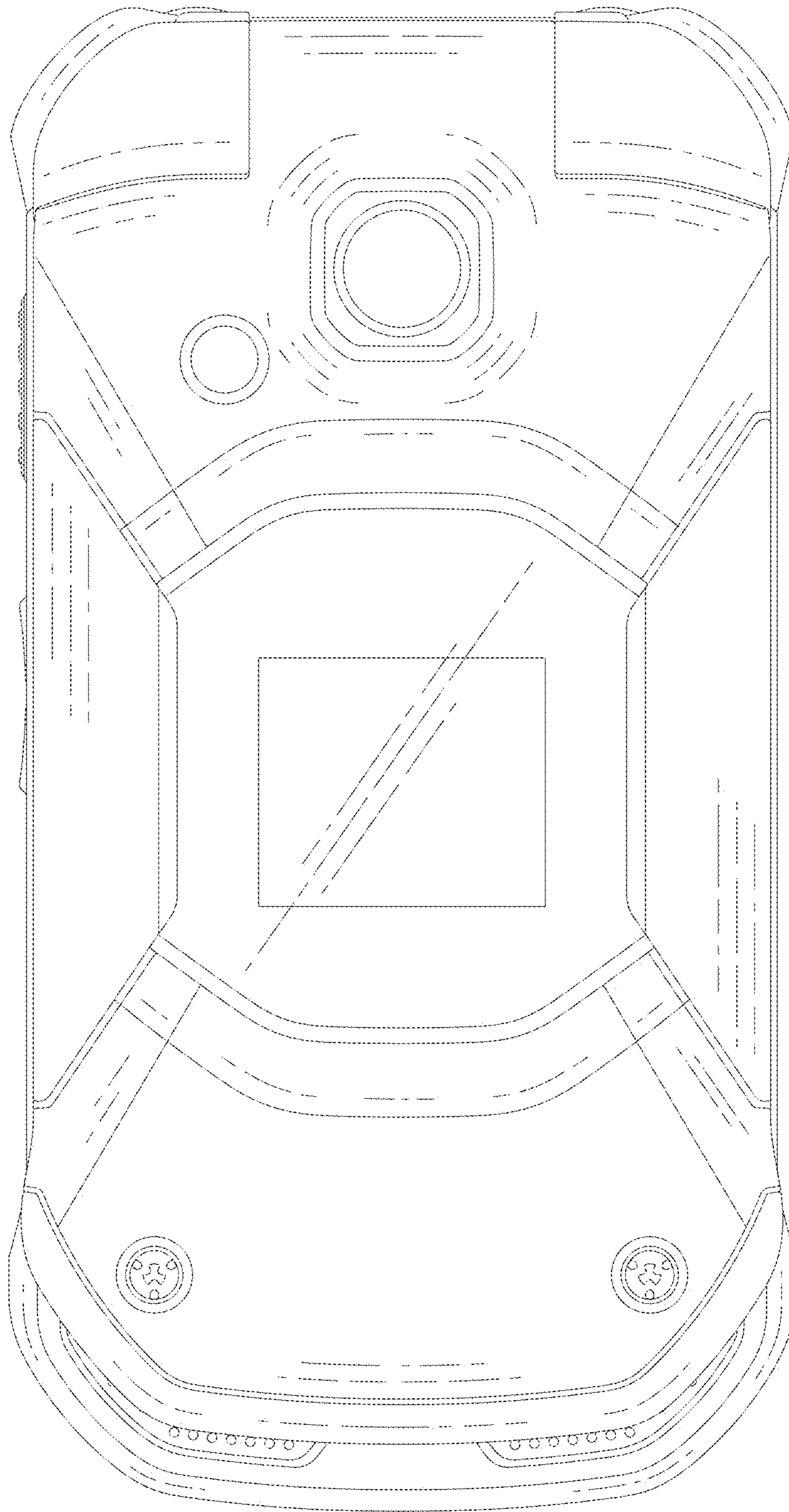
*FIG. 3*



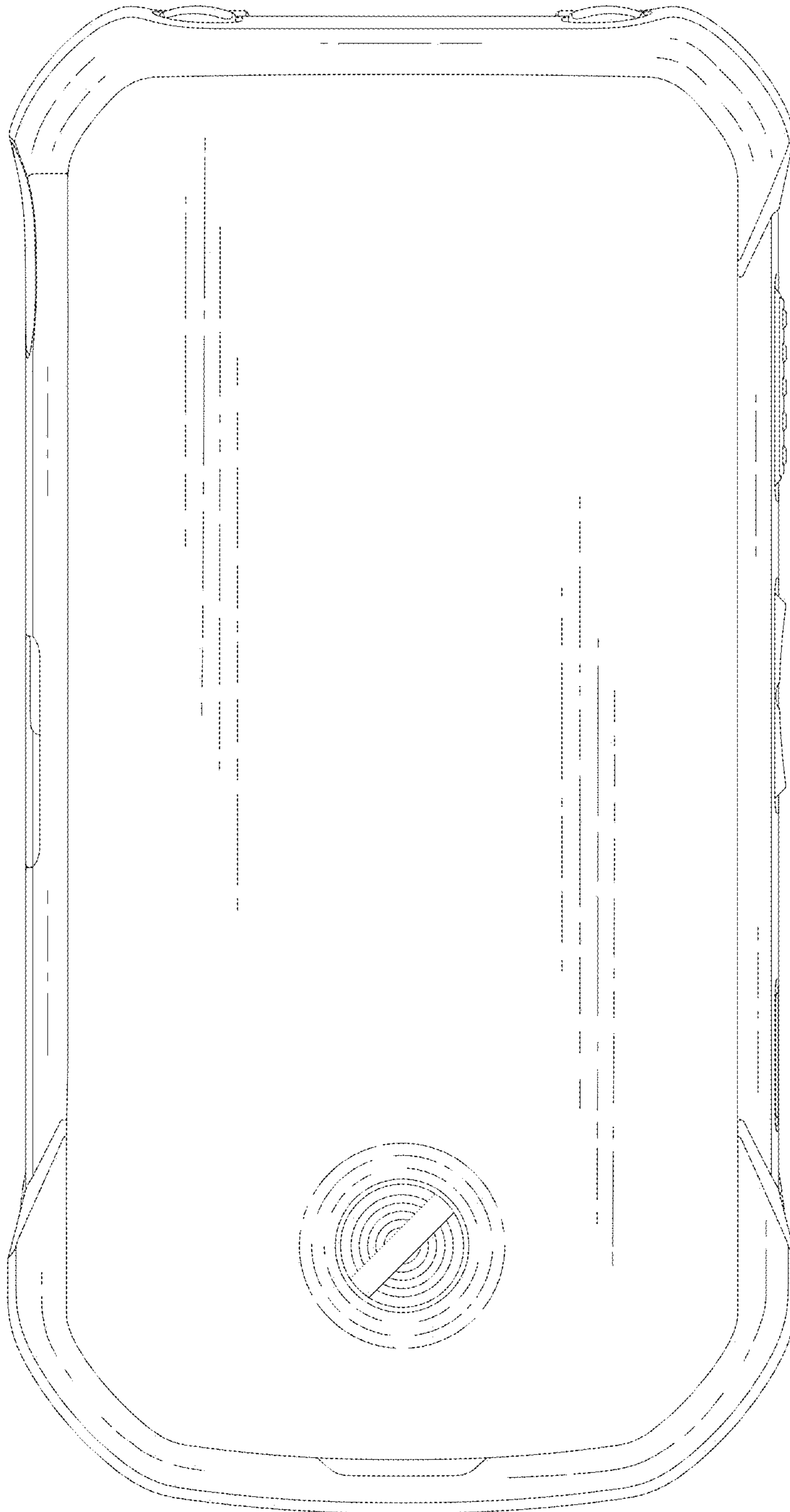
*FIG. 4*



*FIG. 5*

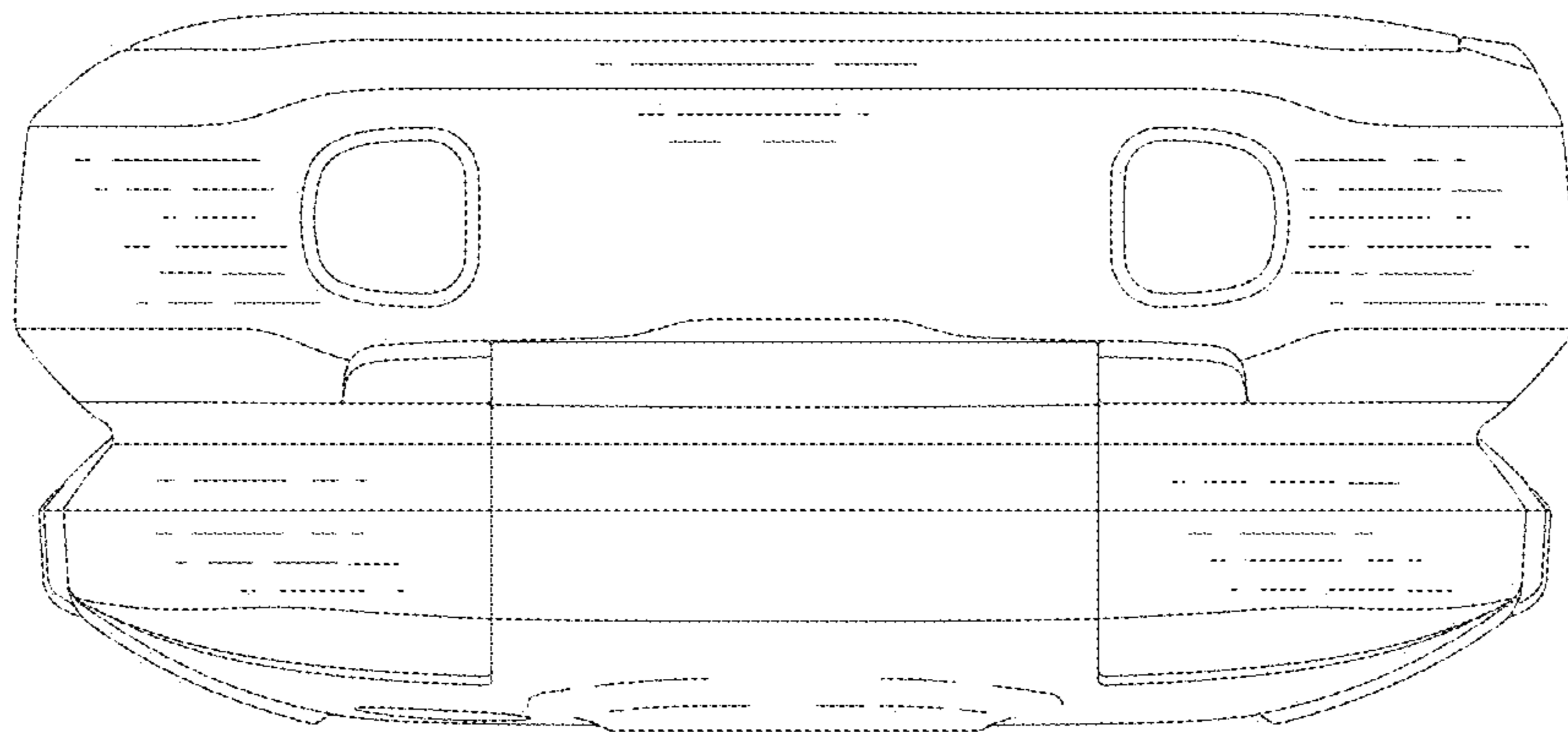


*FIG. 6*

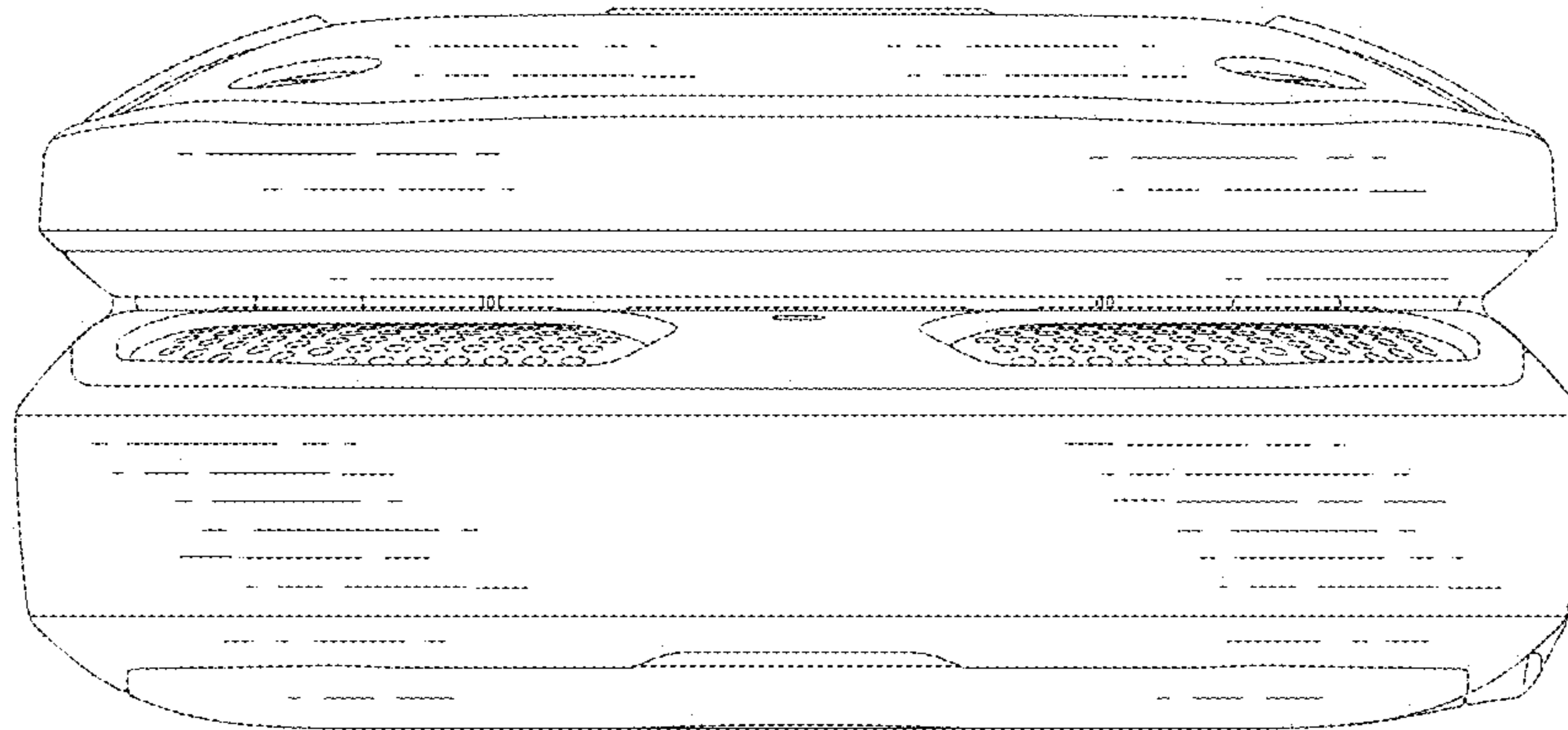




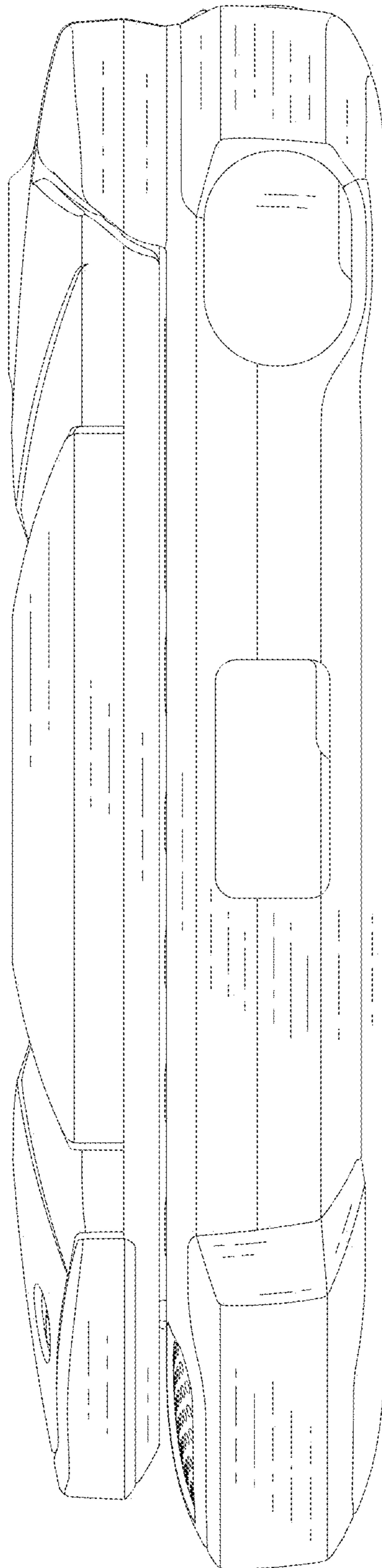
*FIG. 7*



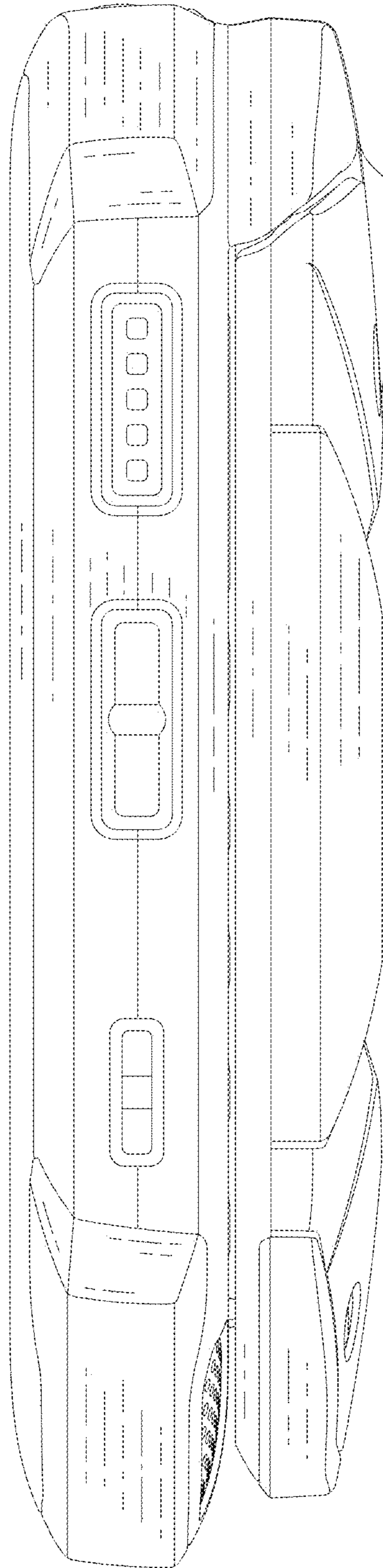
*FIG. 8*



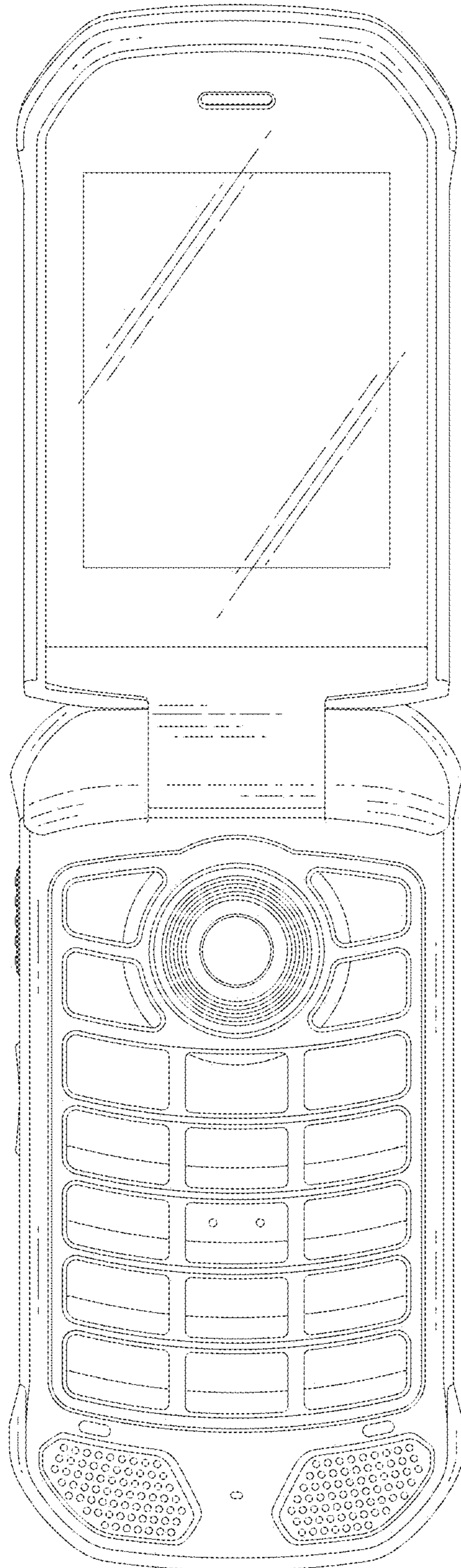
*FIG. 9*



*FIG. 10*



*FIG. 11*



*FIG. 12*

