



US00D933623S

(12) **United States Design Patent**  
**Liu**

(10) **Patent No.:** **US D933,623 S**

(45) **Date of Patent:** **\*\* Oct. 19, 2021**

(54) **WALKIE TALKIE**

(71) Applicant: **Shenzhen Qiweiyang Technology Co., LTD, Shenzhen (CN)**

(72) Inventor: **Keqin Liu, Shenzhen (CN)**

(73) Assignee: **Shenzhen Qiweiyang Technology Co., LTD, Shenzhen (CN)**

(\*\*) Term: **15 Years**

(21) Appl. No.: **29/753,089**

(22) Filed: **Sep. 30, 2020**

(51) **LOC (13) Cl.** ..... **14-03**

(52) **U.S. Cl.**  
USPC ..... **D14/137**

(58) **Field of Classification Search**  
USPC ..... D14/137, 138 R, 138 AA, 138 AD;  
D10/104.1  
CPC .. H04B 1/3833; H04B 1/3827; H04B 1/3855;  
H04B 2001/3861; H04M 1/0202; H04M  
1/03; H04M 1/035  
See application file for complete search history.

(56) **References Cited**

**U.S. PATENT DOCUMENTS**

D295,404 S	*	4/1988	Tokiyama	.....	D14/137
D451,484 S	*	12/2001	Page	.....	D14/137
D602,893 S	*	10/2009	Nishida	.....	D14/137
D616,844 S	*	6/2010	Xia	.....	D14/137
D677,230 S	*	3/2013	Ooi	.....	D14/137
D796,467 S	*	9/2017	Oikawa	.....	D14/137
D816,639 S	*	5/2018	Abe	.....	D14/226
D834,432 S	*	11/2018	Wang	.....	D10/78
D875,699 S		2/2020	Hong		

D879,390 S	*	3/2020	Cai	.....	D30/199
D889,424 S	*	7/2020	Chen	.....	D14/137
D892,757 S		8/2020	Pang		
D914,628 S	*	3/2021	Wang	.....	D14/137
D914,629 S	*	3/2021	Wang	.....	D14/137
2003/0153282 A1	*	8/2003	Sun	.....	H04M 1/7246 455/575.1

\* cited by examiner

*Primary Examiner* — Bridget L Eland

(74) *Attorney, Agent, or Firm* — Zhihua Han; Wen IP LLC

(57) **CLAIM**

The ornamental design for a walkie talkie, as shown and described.

**DESCRIPTION**

FIG. 1 is a front elevation view of a walkie talkie, showing my new design;  
FIG. 2 is a rear elevation view thereof;  
FIG. 3 is a top plan view thereof;  
FIG. 4 is a bottom plan view thereof;  
FIG. 5 is a right sight elevation view thereof;  
FIG. 6 is a left side elevation view thereof;  
FIG. 7 is a perspective view thereof, showing top, right, and rear sides;  
FIG. 8 is another perspective view thereof, showing top, rear, and left sides;  
FIG. 9 is another perspective view thereof, showing front, bottom, and right sides; and,  
FIG. 10 is another perspective view thereof, showing top, left, and front sides.

**1 Claim, 10 Drawing Sheets**

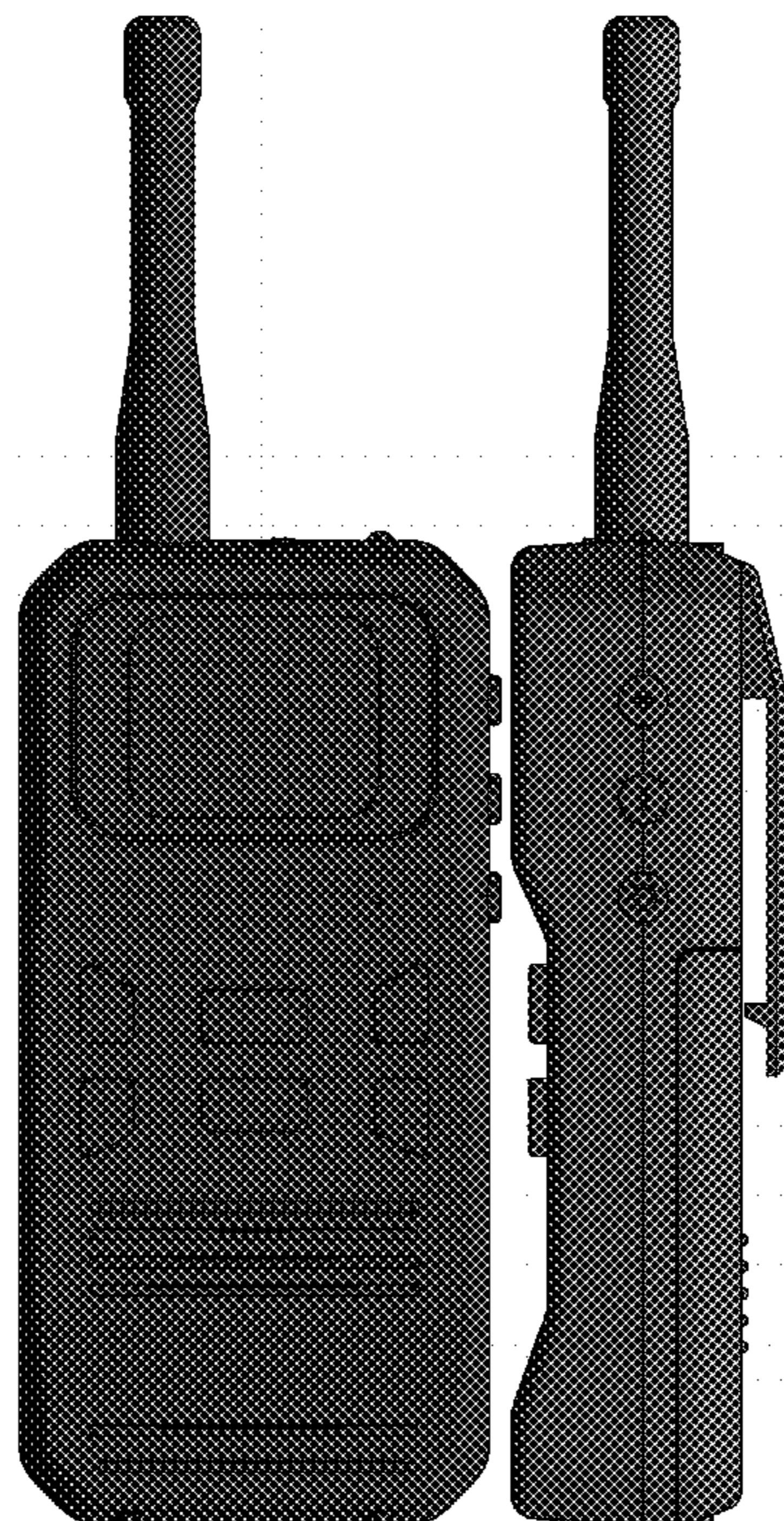




FIG.1

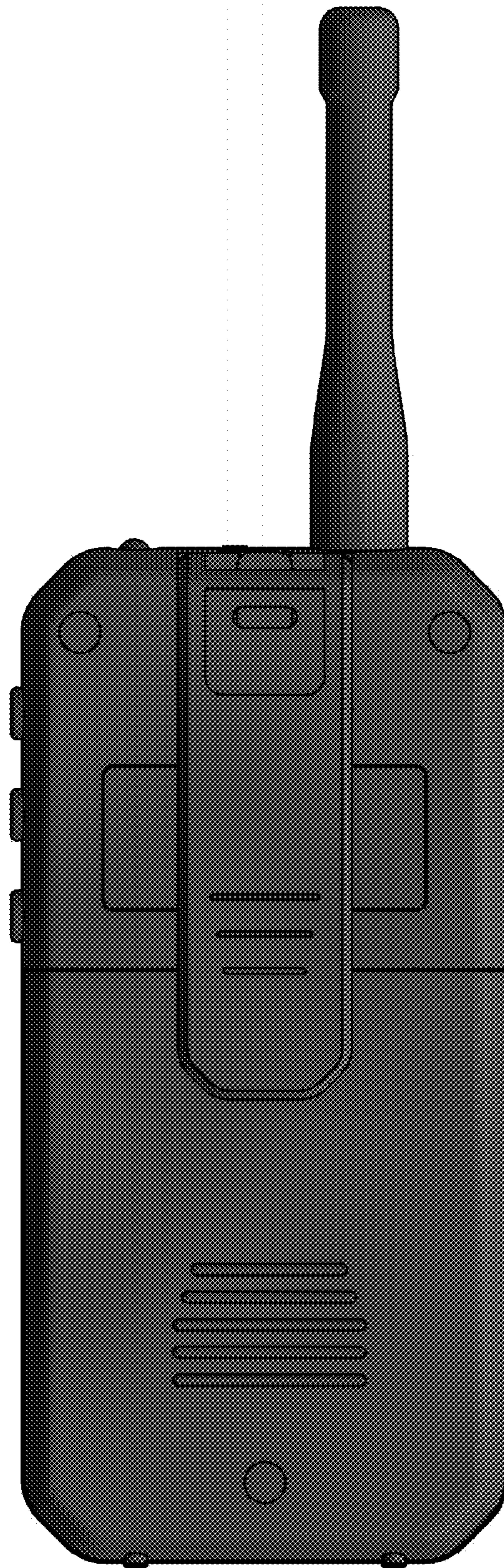


FIG.2

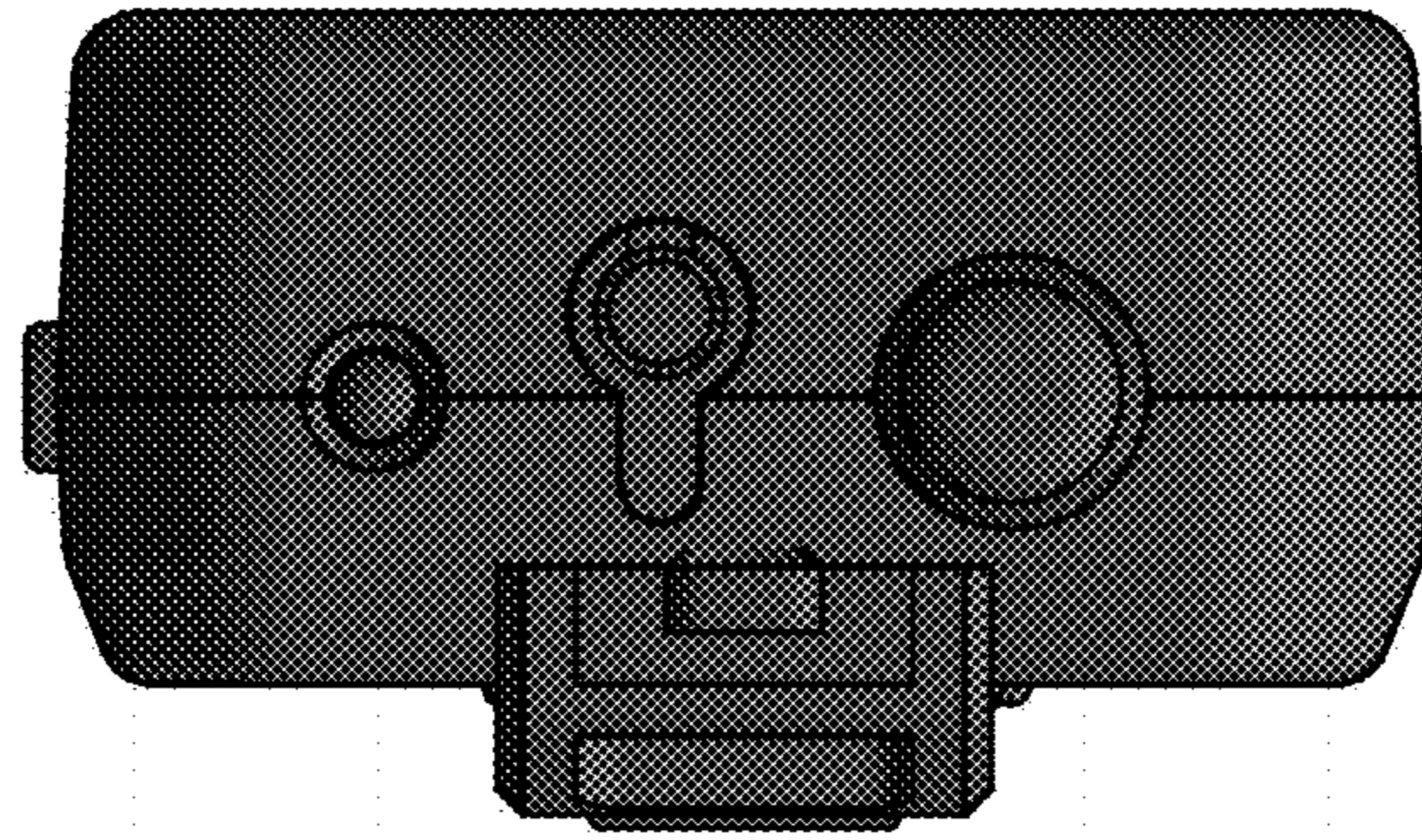


FIG.3

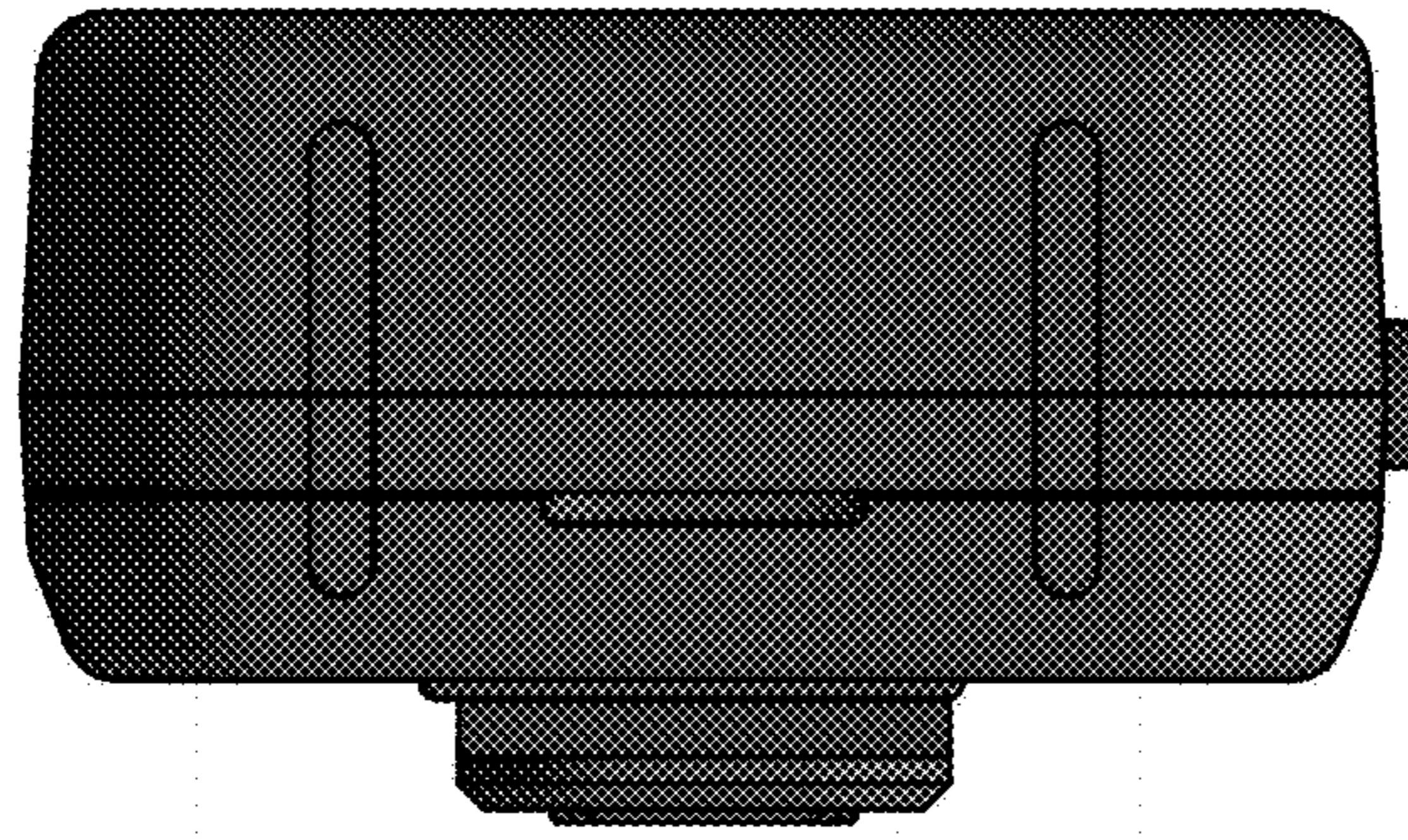


FIG.4

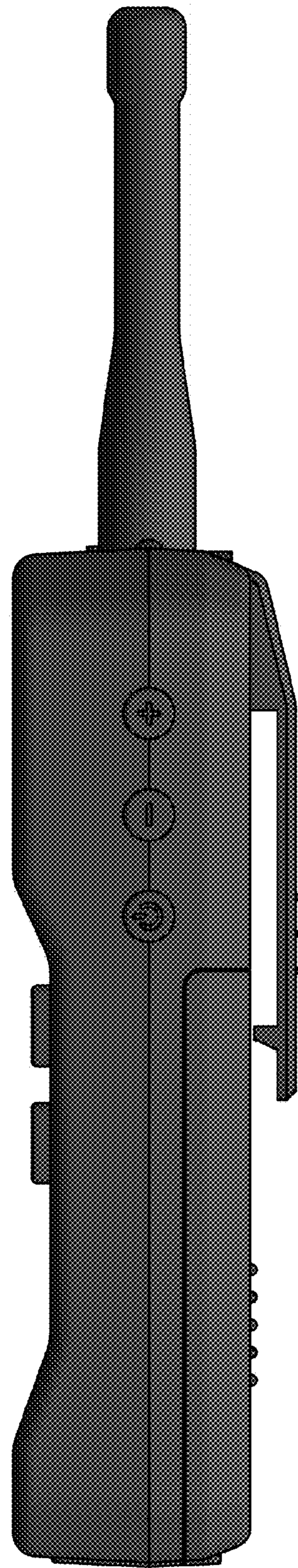


FIG.5



FIG.6

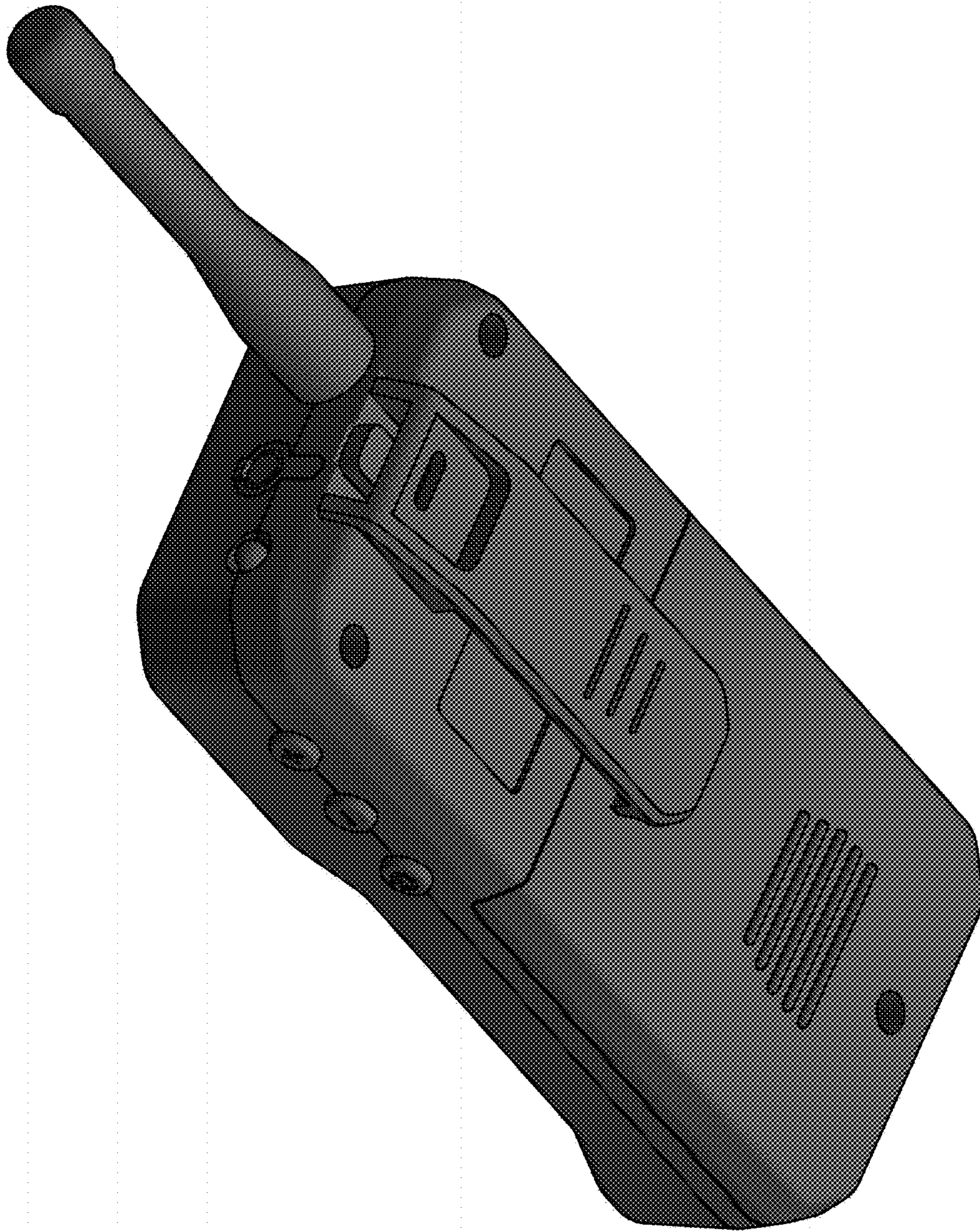


FIG.7





FIG.8



FIG.9



FIG.10