



US00D933620S

(12) **United States Design Patent**
Kim et al.

(10) **Patent No.:** **US D933,620 S**

(45) **Date of Patent:** **** Oct. 19, 2021**

(54) **TELEVISION WITH ROLLABLE DISPLAY**

(71) Applicant: **LG ELECTRONICS INC.**, Seoul (KR)

(72) Inventors: **Seonkyu Kim**, Seoul (KR);
Youngkyoung Kim, Seoul (KR);
Yunjoo Kim, Seoul (KR); **Cheolwoong Shin**, Seoul (KR); **Minjae Lee**, Seoul (KR); **Hyunbyung Cha**, Seoul (KR)

(73) Assignee: **LG ELECTRONICS INC.**, Seoul (KR)

(**) Term: **15 Years**

(21) Appl. No.: **29/715,753**

(22) Filed: **Dec. 4, 2019**

(30) **Foreign Application Priority Data**

Jun. 4, 2019 (KR) 30-2019-0026629

(51) **LOC (13) Cl.** **14-03**

(52) **U.S. Cl.**
USPC **D14/126**

(58) **Field of Classification Search**

USPC D14/125-138, 138 AD, 138 G, 138 R,
D14/204, 239, 248, 314-316, 322, 326,
D14/334-336, 339, 340, 341, 371,
D14/373-377, 448, 450; D6/300, 308,
D6/310, 314, 320, 332, 553, 642-643,
D6/650.1, 653.15, 654.15, 657, 661, 675;
D16/229, 235, 241; D21/324, 329, 332,
D21/515; D20/42

(Continued)

(56) **References Cited**

U.S. PATENT DOCUMENTS

D763,217 S * 8/2016 Behar D14/134
D772,830 S * 11/2016 Kim D14/126

(Continued)

Primary Examiner — Ramzi Almatrahi

Assistant Examiner — Charles Cunningham

(74) *Attorney, Agent, or Firm* — Birch, Stewart, Kolasch & Birch, LLP

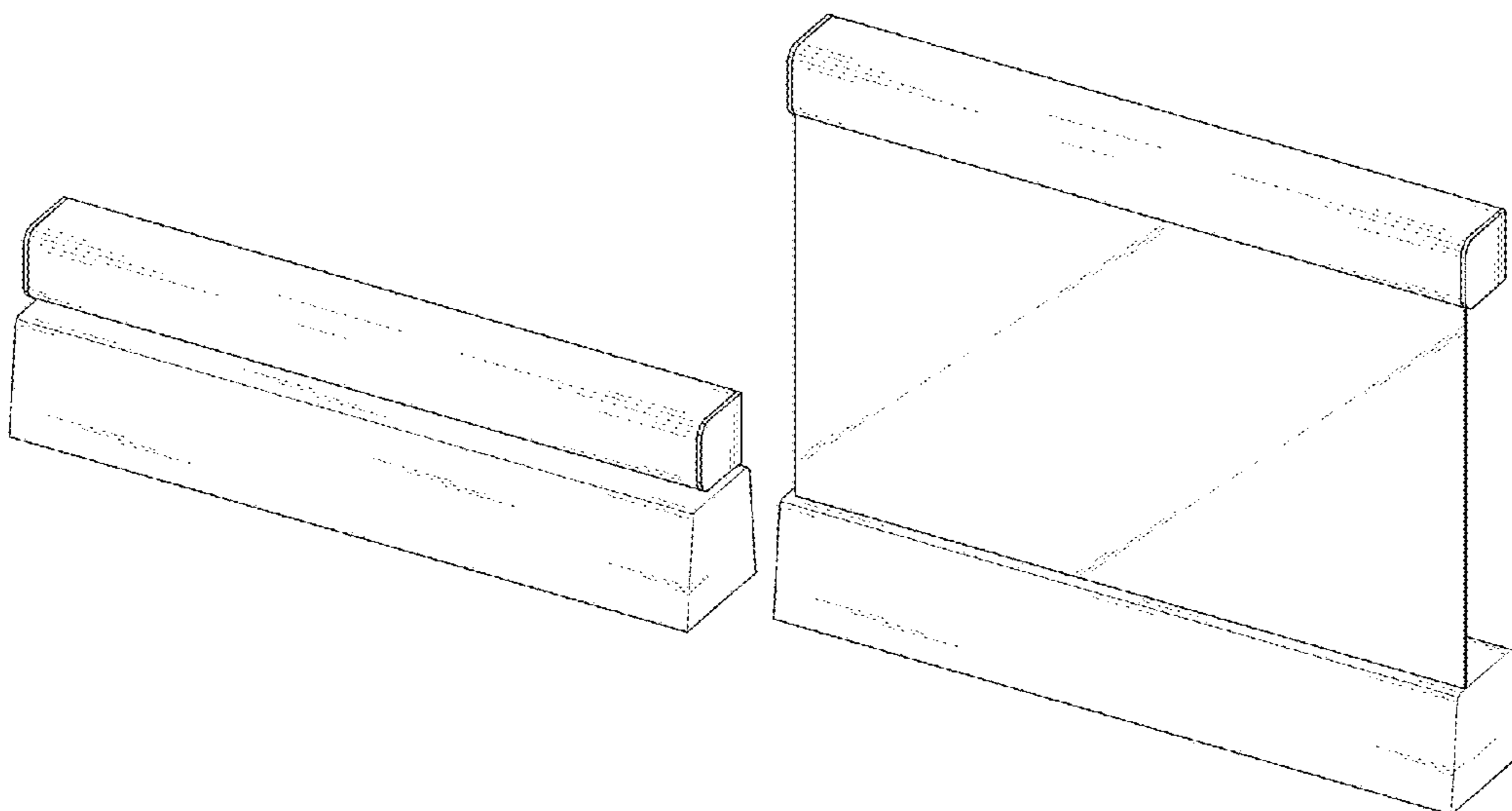
(57) **CLAIM**

We claim the ornamental design for a television with rollable display, as shown and described.

DESCRIPTION

FIG. 1 is a top, front and right side perspective view of a television with rollable display, shown with the display in a rolled up configuration;
FIG. 2 is a front elevation view thereof;
FIG. 3 is a rear elevation view thereof;
FIG. 4 is a left side elevation view thereof;
FIG. 5 is a right side elevation view thereof;
FIG. 6 is a top plan view thereof;
FIG. 7 is a bottom plan view thereof;
FIG. 8 is a top, front and right side perspective view thereof, shown in a lifted configuration;
FIG. 9 is a front elevation view thereof;
FIG. 10 is a rear elevation view thereof;
FIG. 11 is a left side elevation view thereof;
FIG. 12 is a right side elevation view thereof;
FIG. 13 is a top plan view thereof;
FIG. 14 is a bottom plan view thereof;
FIG. 15 is a top, front and right side perspective view thereof, shown in a condition of use with the display in a rolled down configuration;
FIG. 16 is a front elevation view thereof;
FIG. 17 is a rear elevation view thereof;
FIG. 18 is a left side elevation view thereof;
FIG. 19 is a right side elevation view thereof;
FIG. 20 is a top plan view thereof; and,
FIG. 21 is a bottom plan view thereof.

1 Claim, 21 Drawing Sheets



(58) **Field of Classification Search**

CPC G03B 21/58; G03B 21/56; G06F 1/16;
G06F 1/1601; G06F 1/1637; G06F
1/1605; G06F 1/162; G06F 1/1652; G09F
9/301; H04N 5/64; H05K 5/0204; H05K
5/0017; H05K 5/0217

See application file for complete search history.

(56) **References Cited**

U.S. PATENT DOCUMENTS

D772,833	S	*	11/2016	Han	D14/126
D773,417	S	*	12/2016	Kim	D14/126
D778,858	S	*	2/2017	Kim	D14/126
D780,140	S	*	2/2017	Kim	D14/126
D783,553	S	*	4/2017	Kim	D14/126
D825,514	S	*	8/2018	Shin	D14/138 R
D847,108	S	*	4/2019	Catania	D14/126
10,534,402	B1	*	1/2020	Kim	H05K 5/0217
D901,410	S	*	11/2020	Kim	D14/126
D916,041	S	*	4/2021	Wang	D14/126
2014/0268532	A1	*	9/2014	Nicol	G09F 9/301 361/679.26

* cited by examiner

FIG. 1

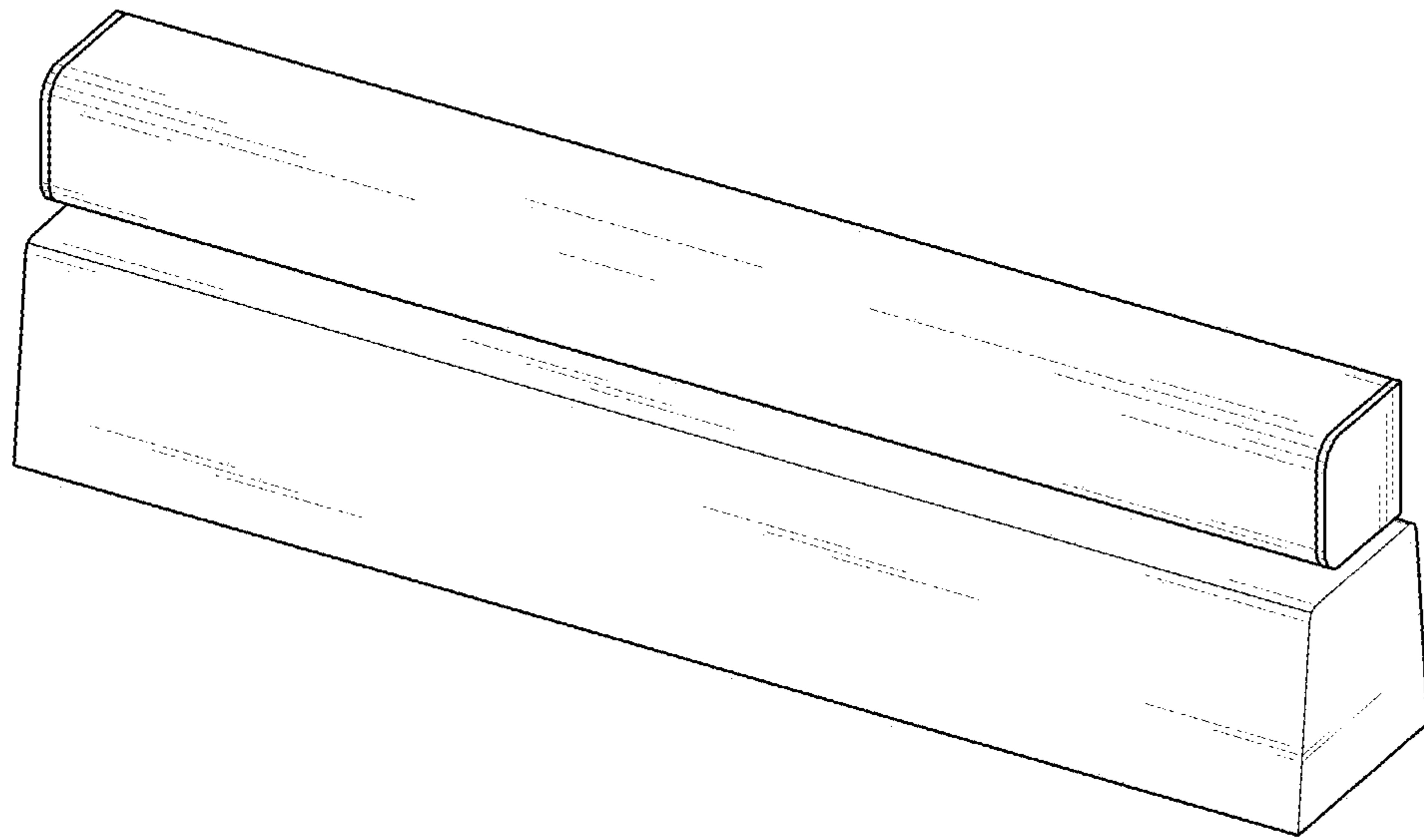


FIG. 2

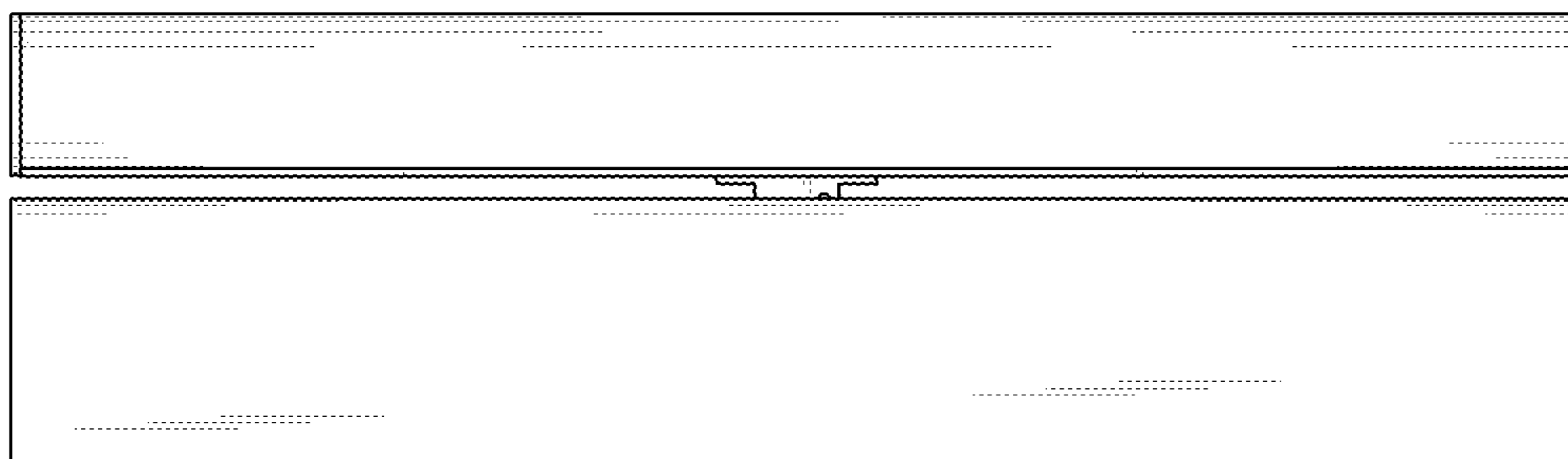


FIG. 3

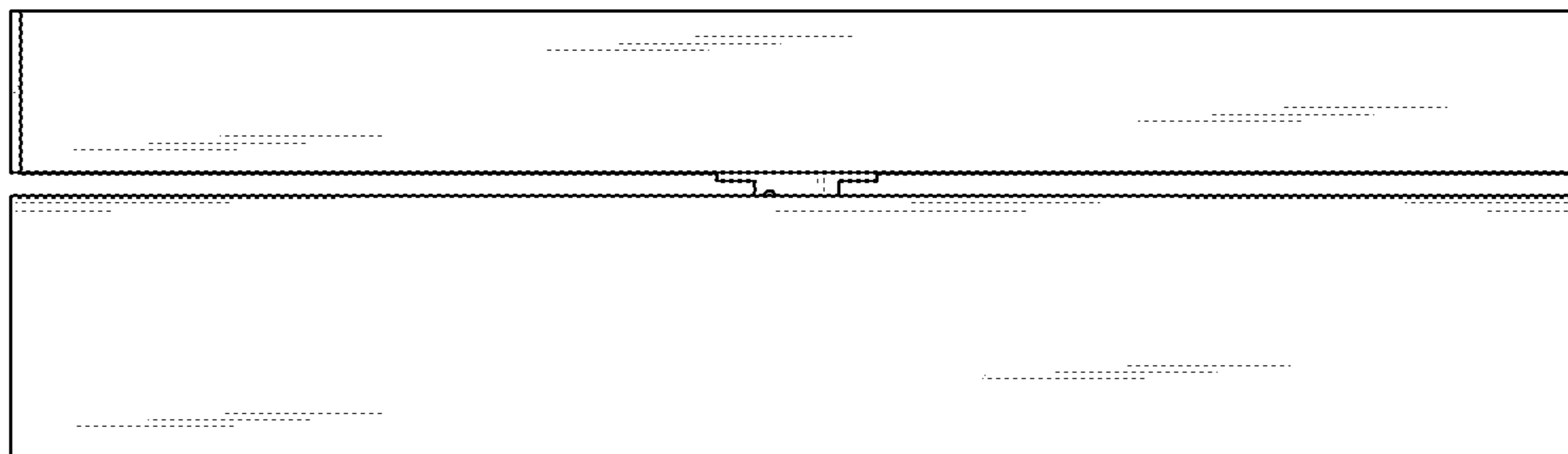


FIG. 4

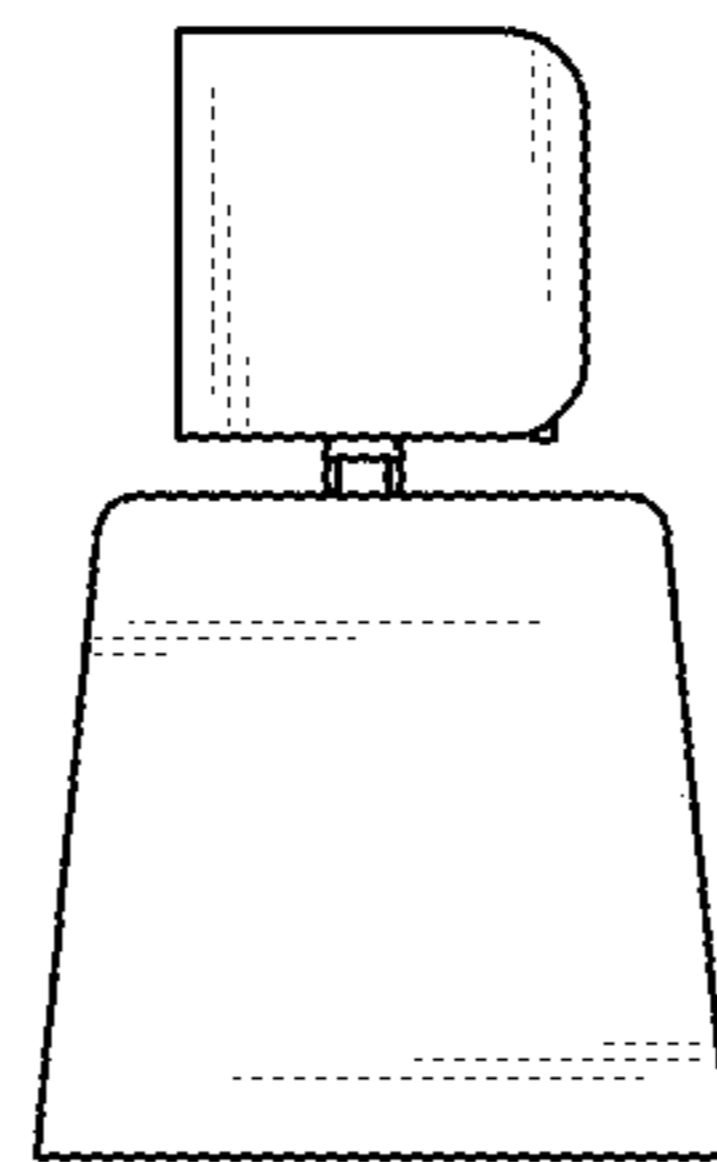


FIG. 5

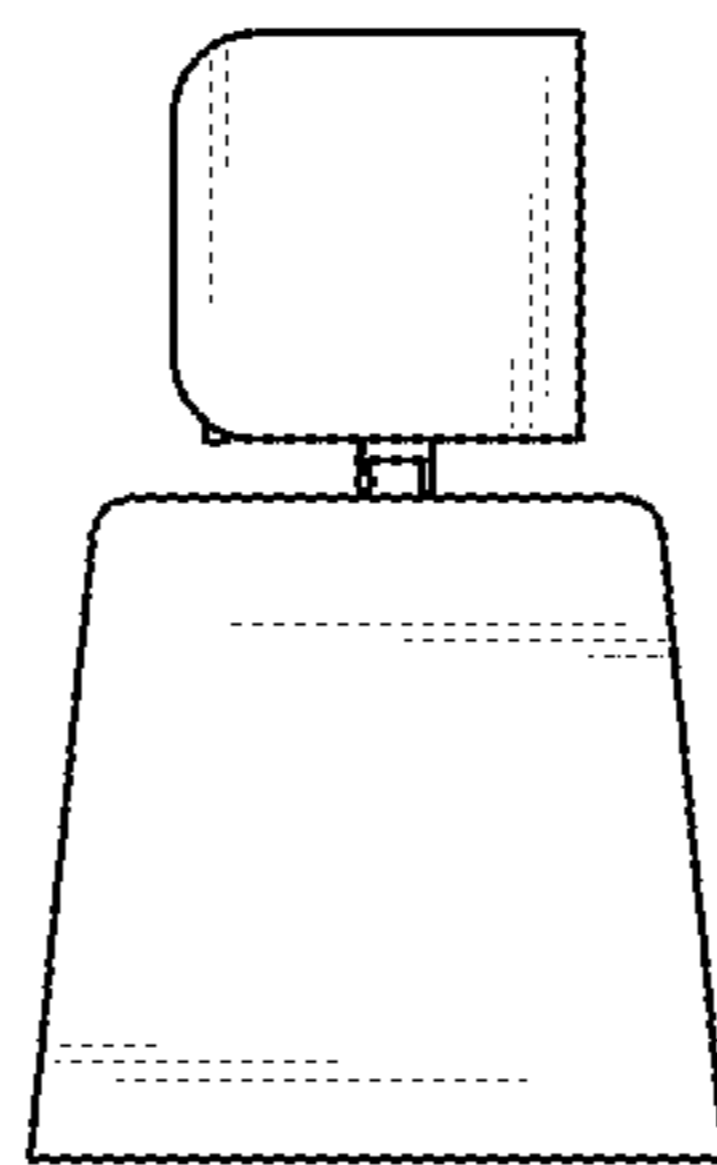


FIG. 6

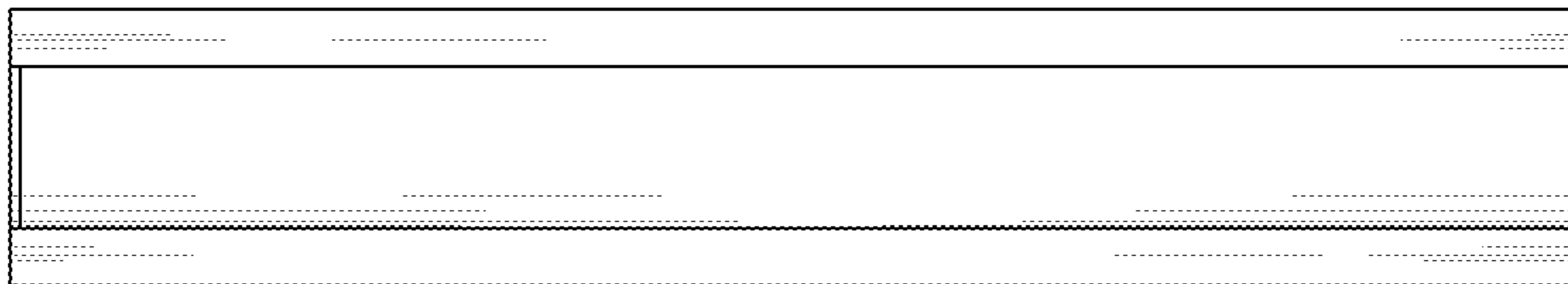


FIG. 7

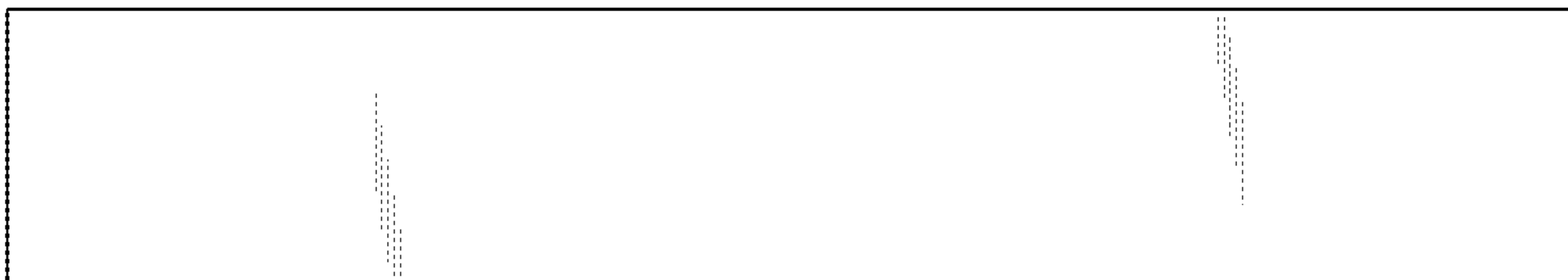


FIG. 8

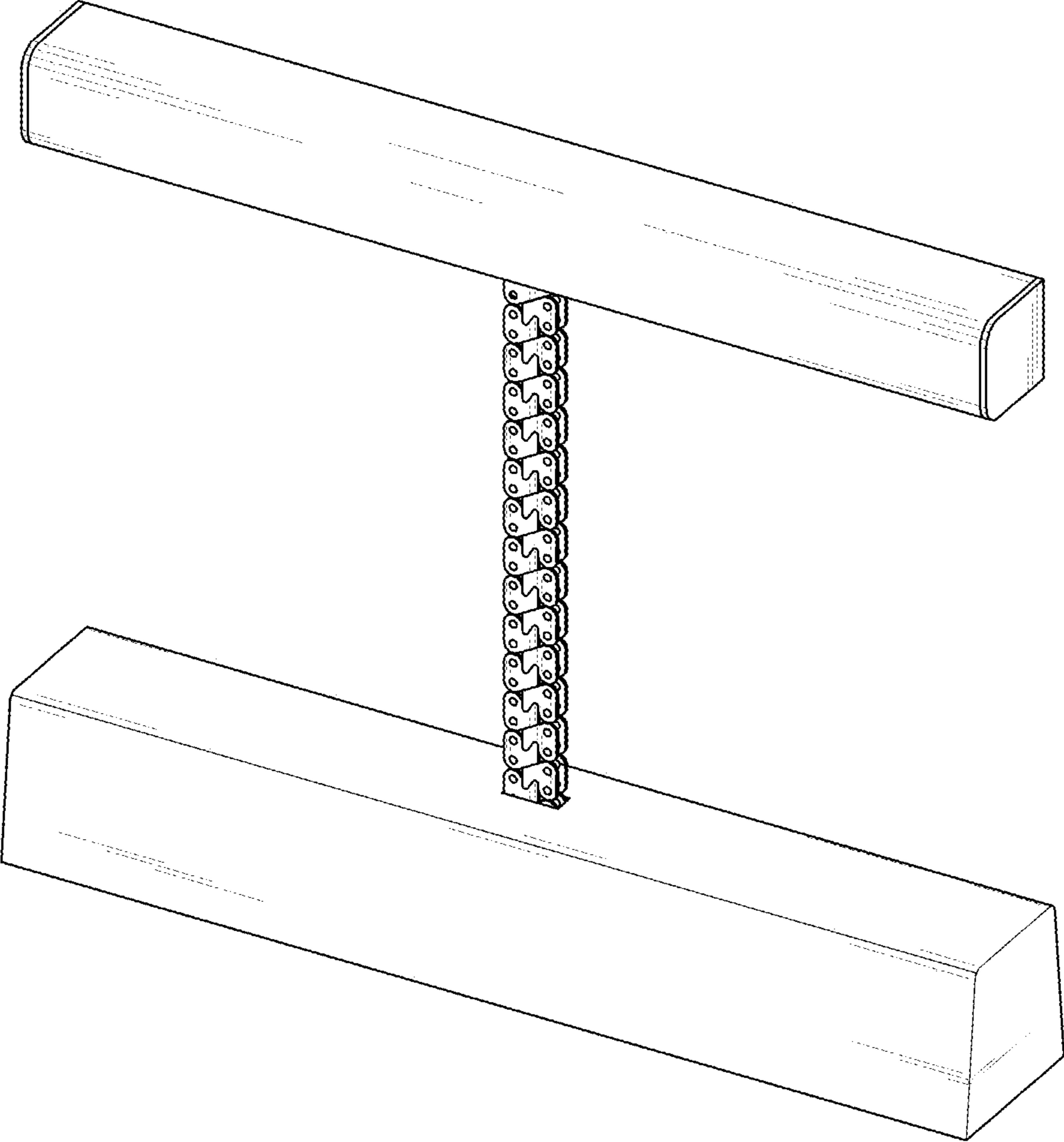


FIG. 9

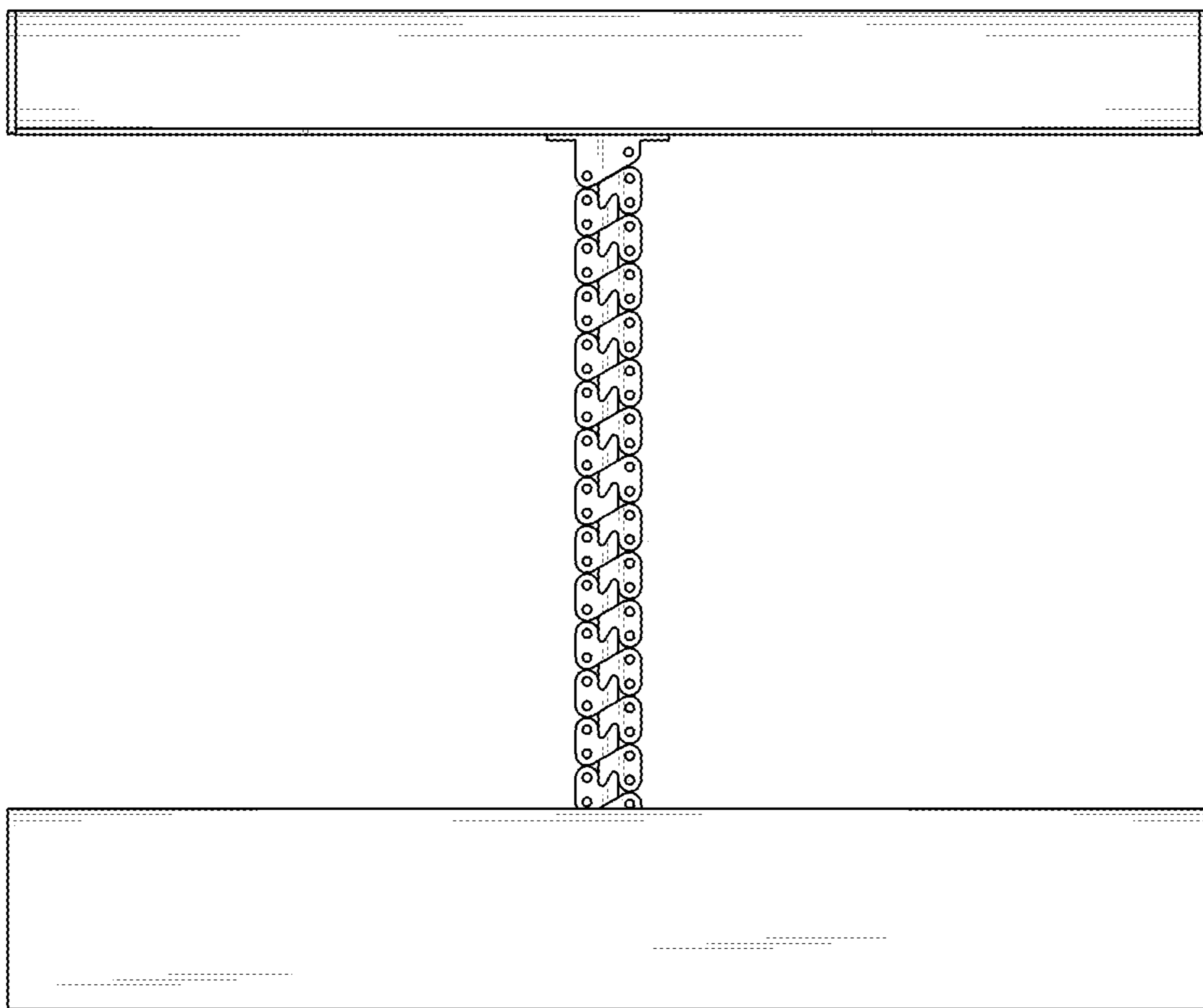


FIG. 10

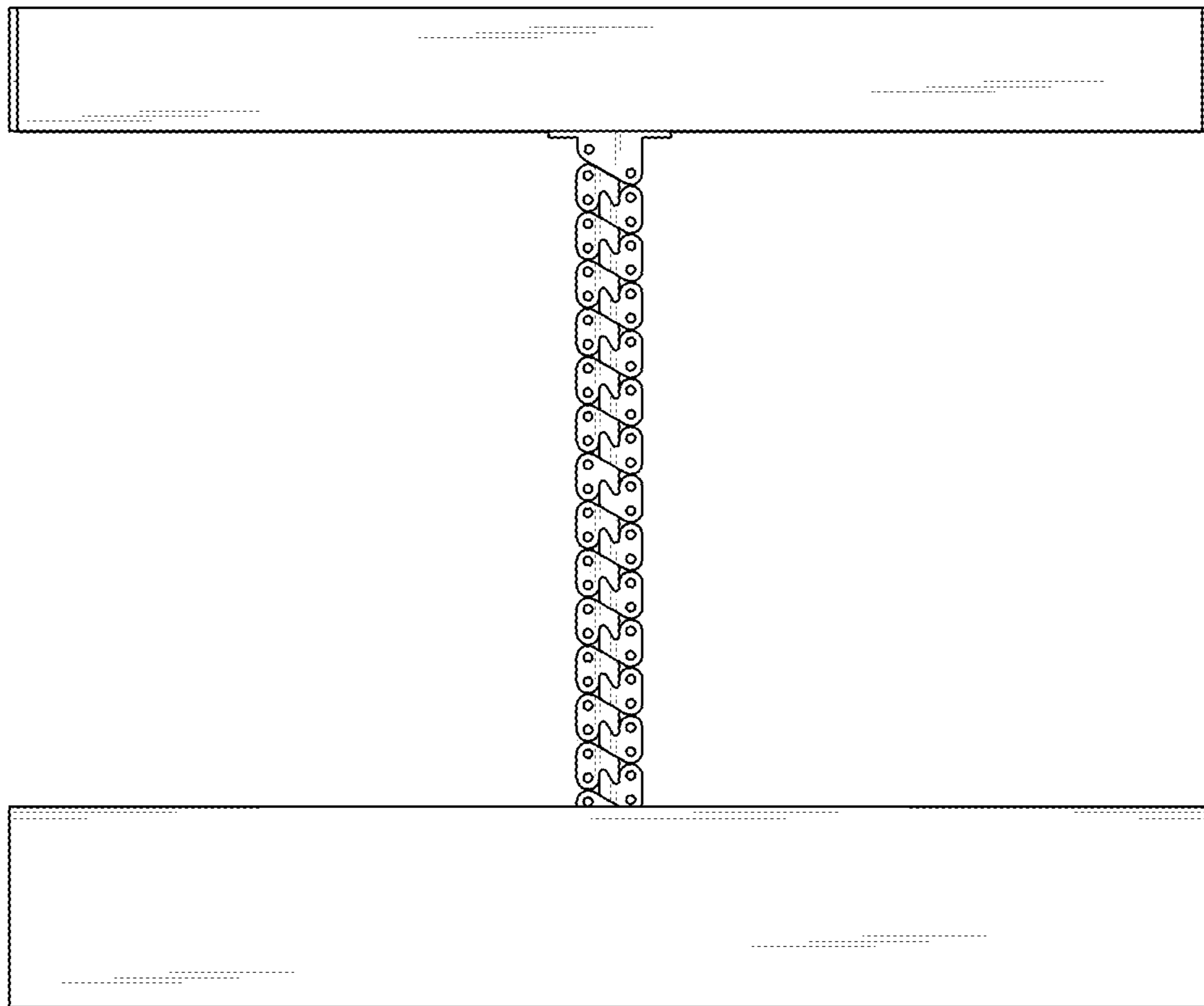


FIG. 11

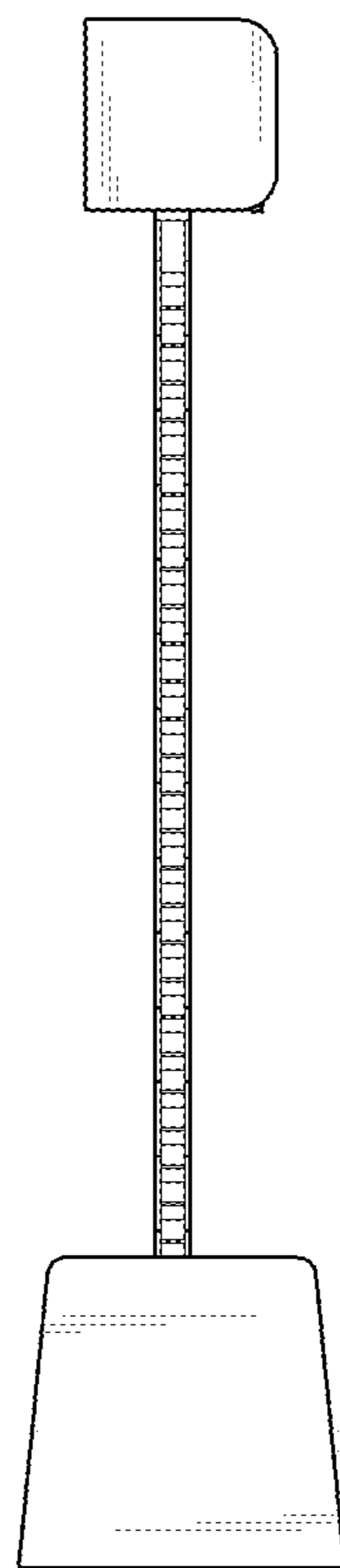


FIG. 12

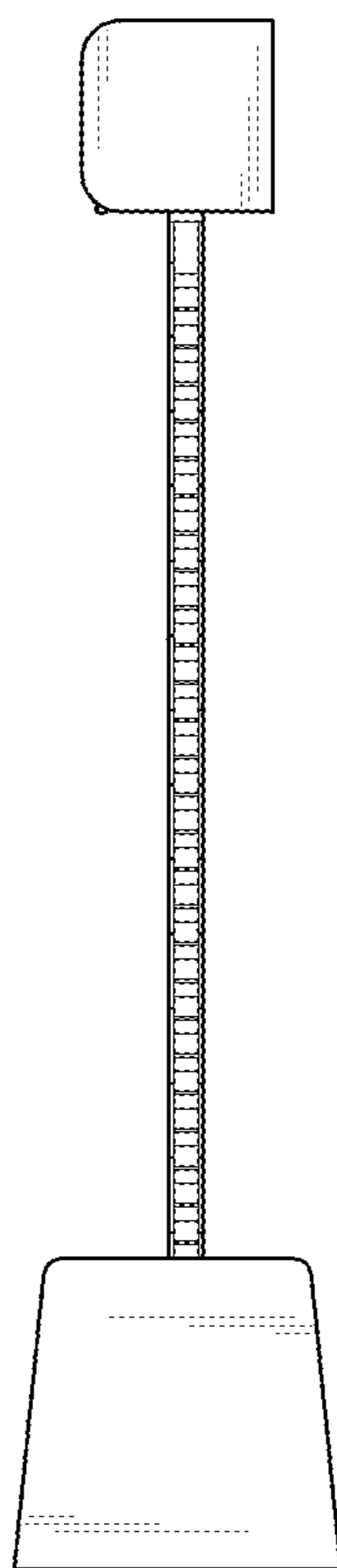


FIG. 13

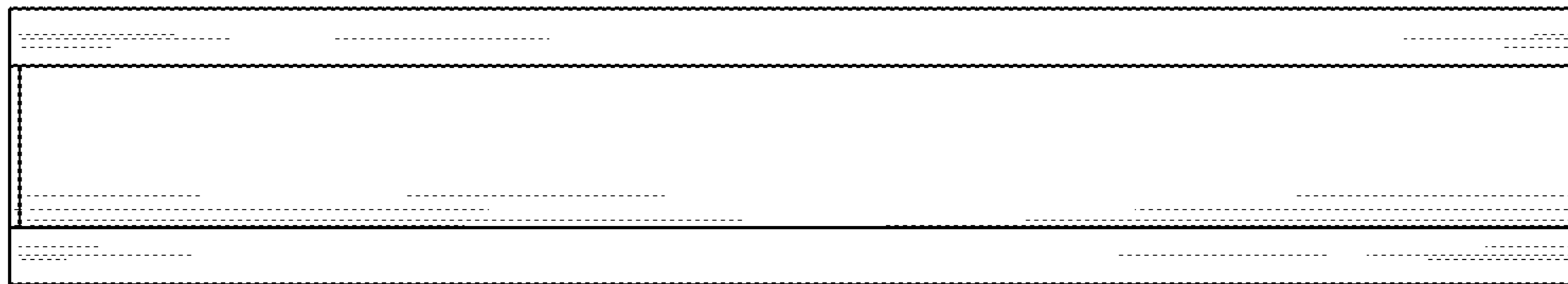


FIG. 14

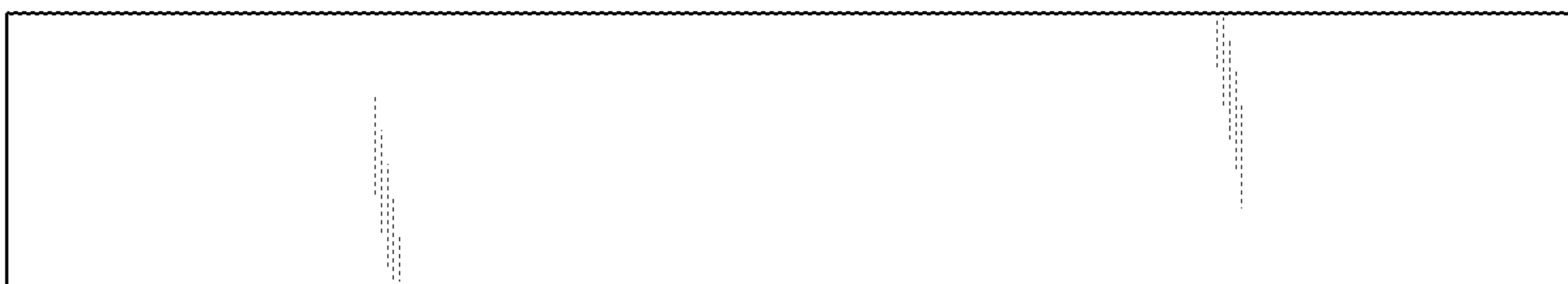


FIG. 15

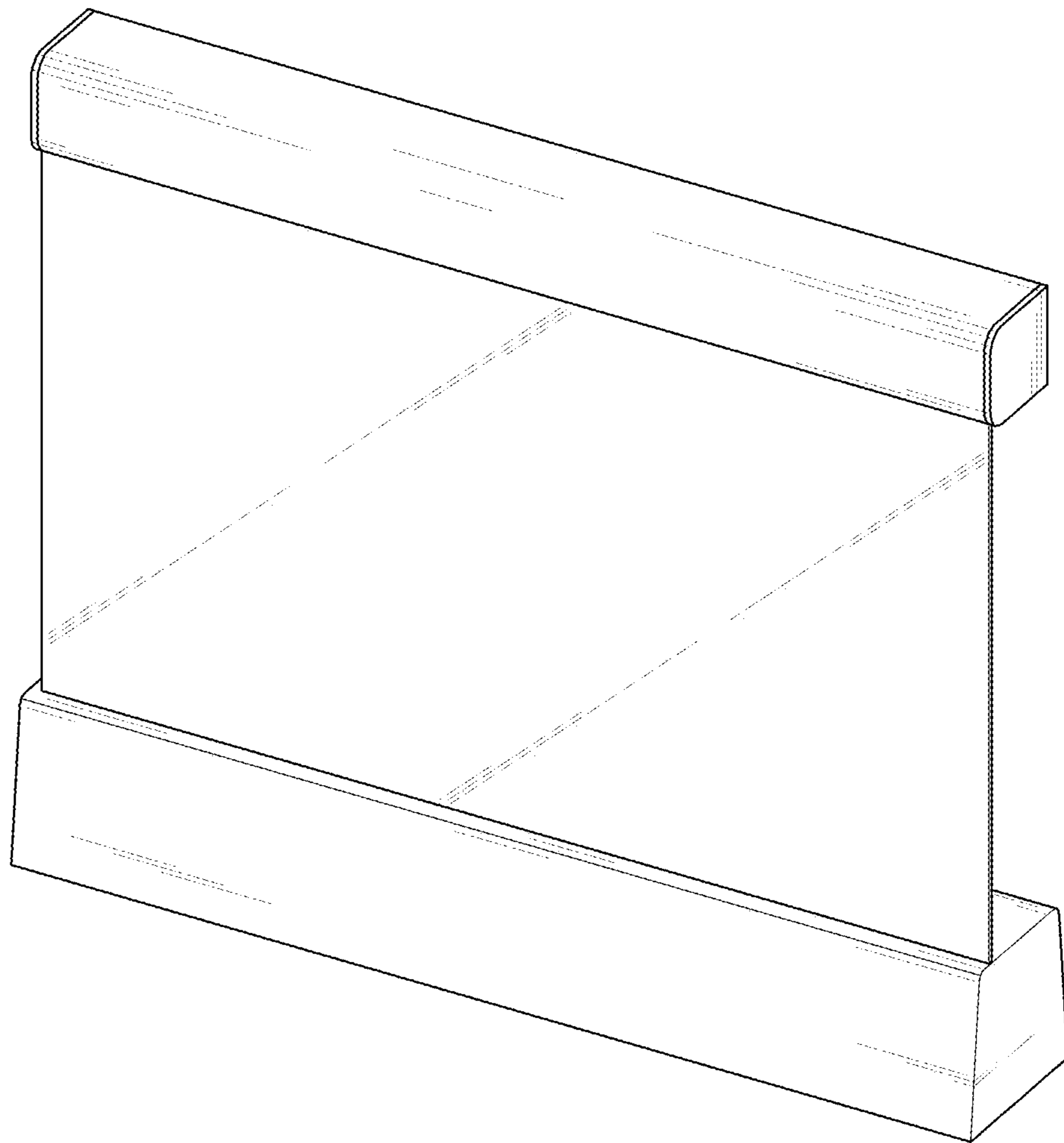


FIG. 16

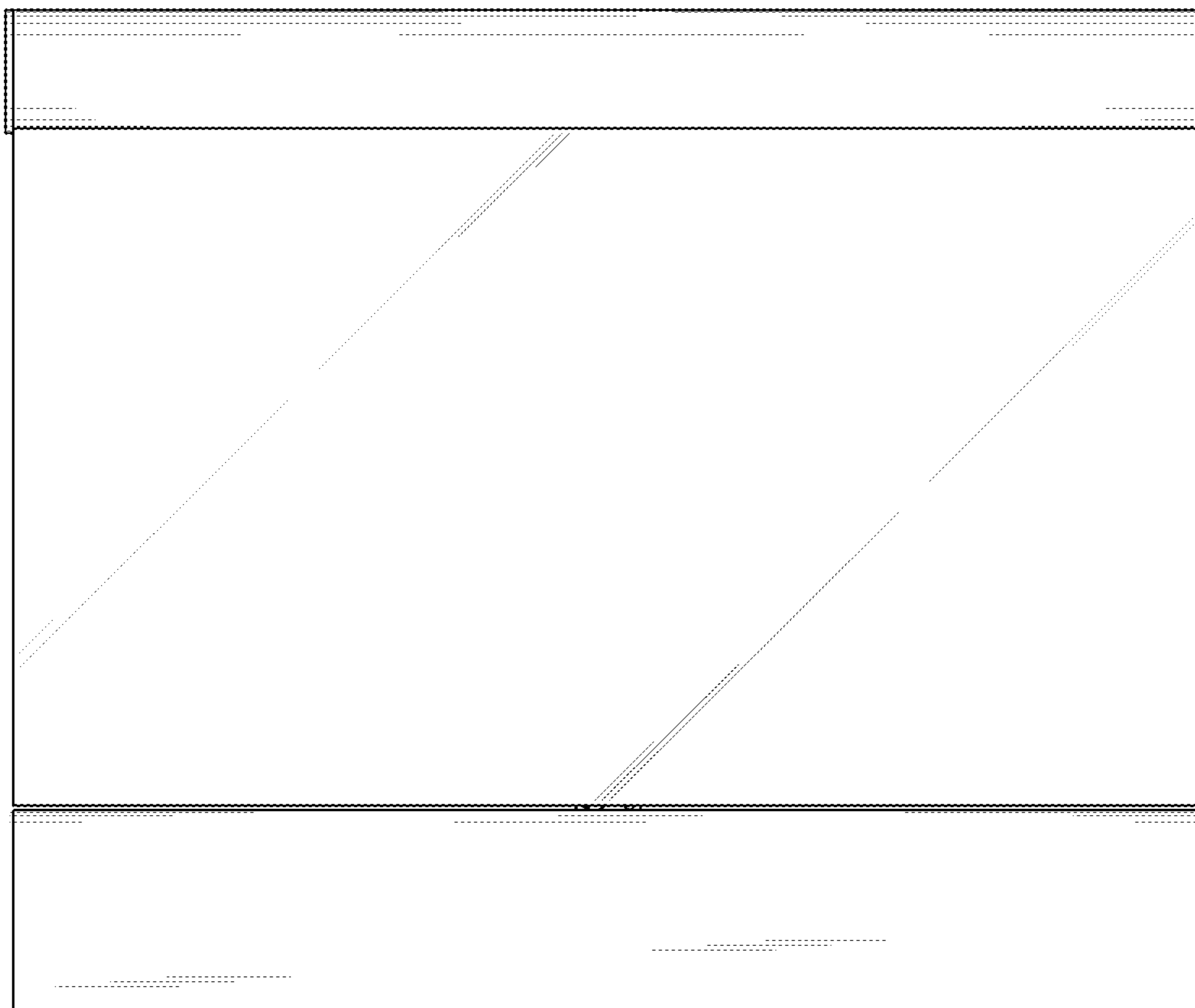


FIG. 17

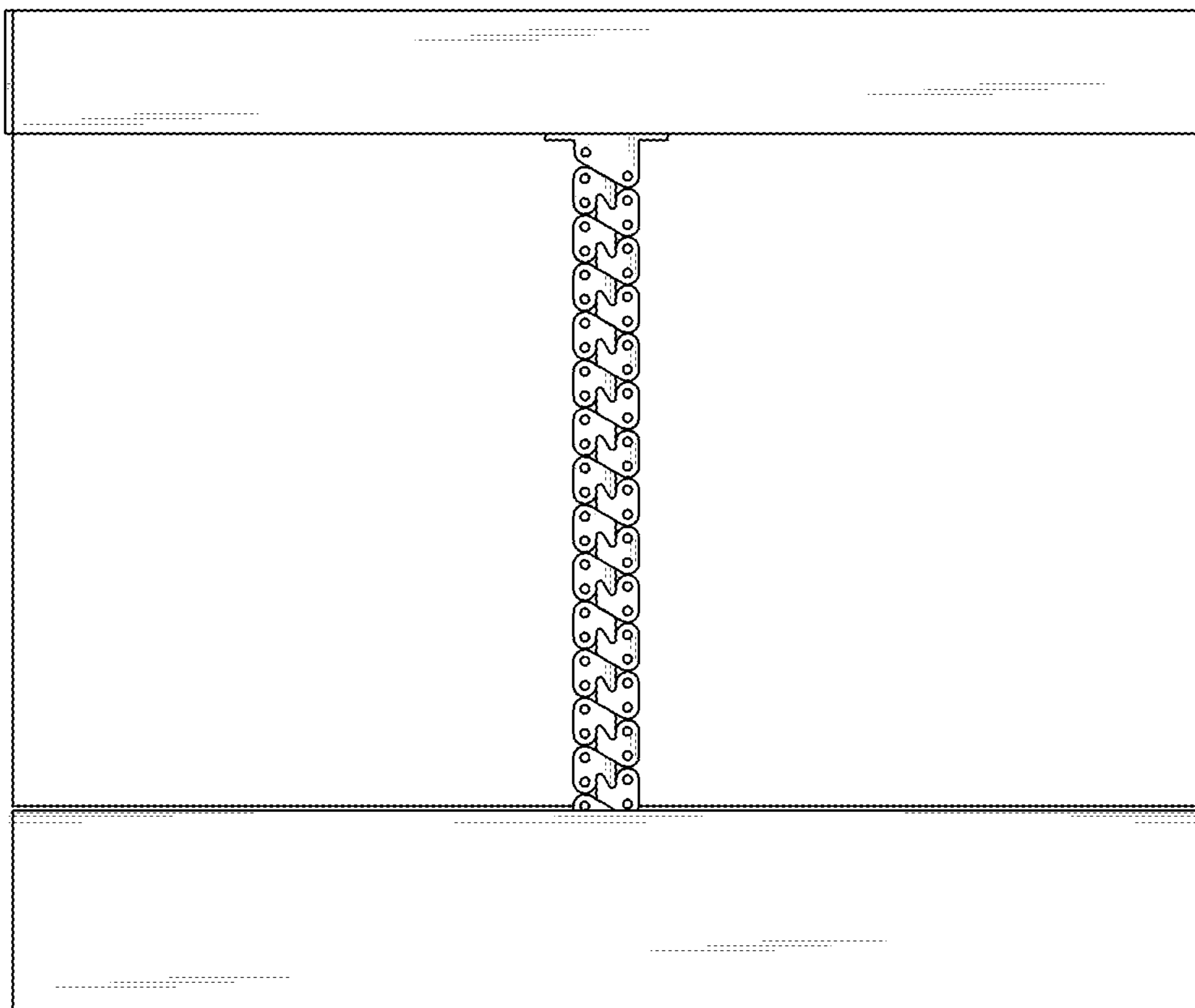


FIG. 18

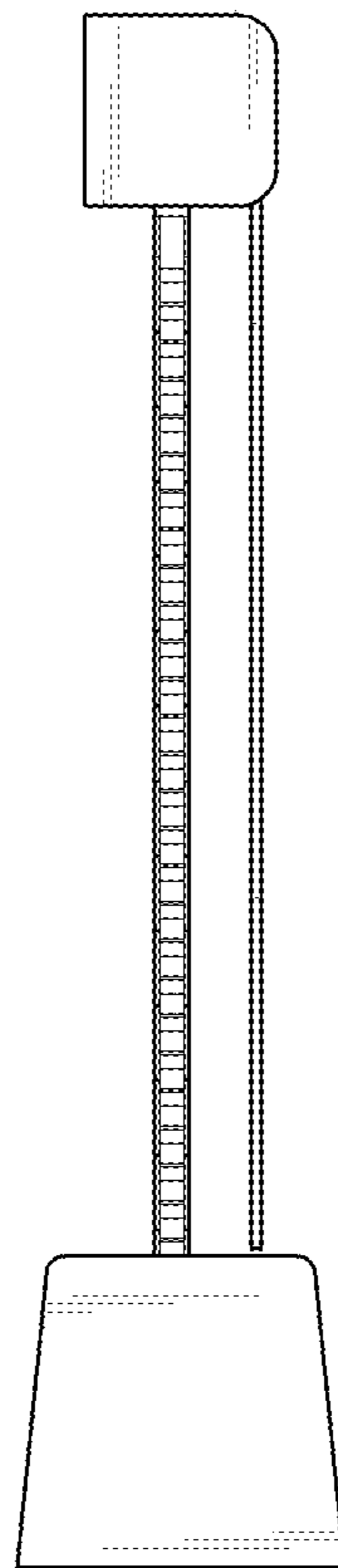


FIG. 19

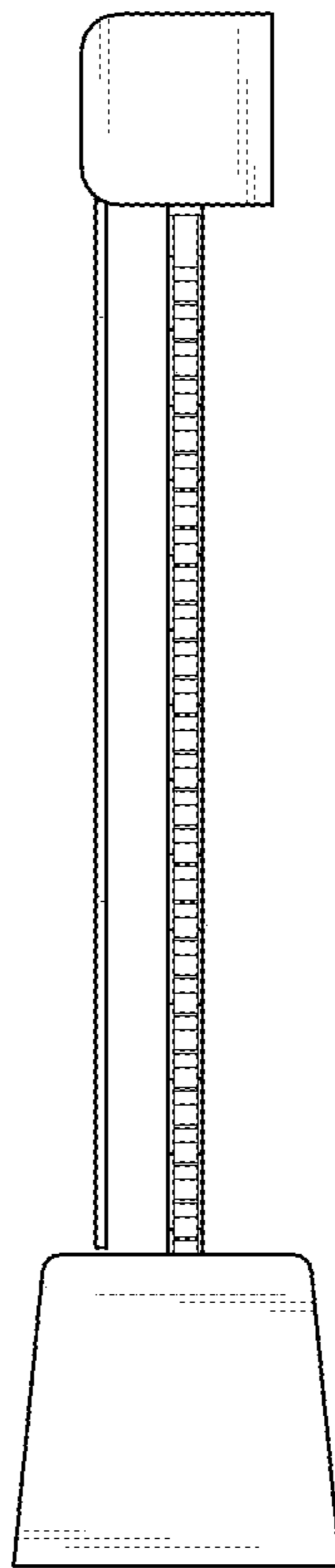


FIG. 20

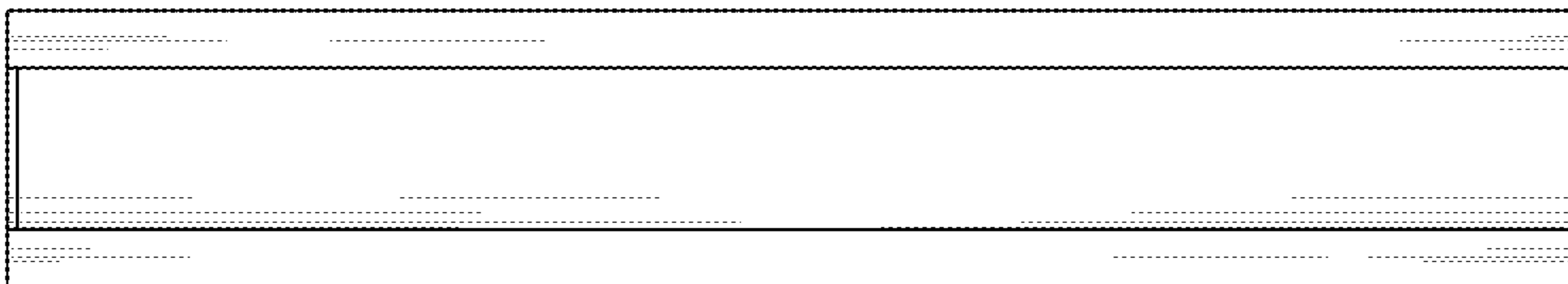


FIG. 21

