

US00D933615S

(12) **United States Design Patent** (10) **Patent No.:** **US D933,615 S**  
**Altonen et al.** (45) **Date of Patent:** **\*\* \*Oct. 19, 2021**

(54) **CONTROL DEVICE**  
(71) Applicant: **Lutron Technology Company LLC**,  
Coopersburg, PA (US)  
(72) Inventors: **Gregory Altonen**, Easton, PA (US);  
**Chris Dimberg**, Easton, PA (US);  
**Jason C. Killo**, Emmaus, PA (US)  
(73) Assignee: **Lutron Technology Company LLC**,  
Coopersburg, PA (US)  
(\* ) Notice: This patent is subject to a terminal dis-  
claimer.

6,107,583 A 8/2000 Berfield  
D441,346 S 5/2001 Bonn  
D464,630 S 10/2002 Woodworth  
D469,411 S 1/2003 Decosse  
D471,880 S \* 3/2003 Mayo ..... D13/171  
D493,090 S \* 7/2004 Chen ..... D8/310  
D515,516 S 2/2006 Mayo et al.  
D525,517 S \* 7/2006 Baldwin ..... D8/310  
D533,844 S \* 12/2006 Larson ..... D13/162  
D557,216 S \* 12/2007 Ochs ..... D13/162  
D558,686 S \* 1/2008 Bhate ..... D13/162  
D558,692 S 1/2008 Neveu  
D561,117 S \* 2/2008 Ni ..... D13/171  
D561,118 S \* 2/2008 Ni ..... D13/171  
D589,463 S 3/2009 Sykes

(Continued)

(\*\*) Term: **15 Years**

(21) Appl. No.: **29/709,557**  
(22) Filed: **Oct. 15, 2019**  
(51) **LOC (13) Cl.** ..... **13-03**  
(52) **U.S. Cl.**  
USPC ..... **D13/171; D13/174**  
(58) **Field of Classification Search**  
USPC ..... D13/162, 168, 171, 173, 174; D14/487,  
D14/489; D10/104.1; D7/393; D8/310,  
D8/312  
CPC H01H 3/12; H01H 3/122; H01H 9/02; H01H  
9/16; H01H 9/18; H01H 9/181; H01H  
9/182; H01H 13/023; H01H 13/04; H01H  
13/06; H01H 13/14; H01H 2009/187;  
H05B 33/0803; H05B 33/0863; H05B  
37/02; H05B 37/0254; H05B 37/0272;  
H05B 39/02; H05B 39/04; H05B 39/085;  
H05B 39/086; H05B 39/088; G08C  
17/02; H03K 17/962  
See application file for complete search history.

(56) **References Cited**

**U.S. PATENT DOCUMENTS**

D199,922 S 12/1964 Schlage  
D362,841 S 10/1995 Roza

**OTHER PUBLICATIONS**

Legrand® / Pass & Seymour®, P&S Dimmers—DR Series Bro-  
chure, 2010, 2 pages.

(Continued)

*Primary Examiner* — Selina Sikder  
(74) *Attorney, Agent, or Firm* — Saidman DesignLaw  
Group, LLC

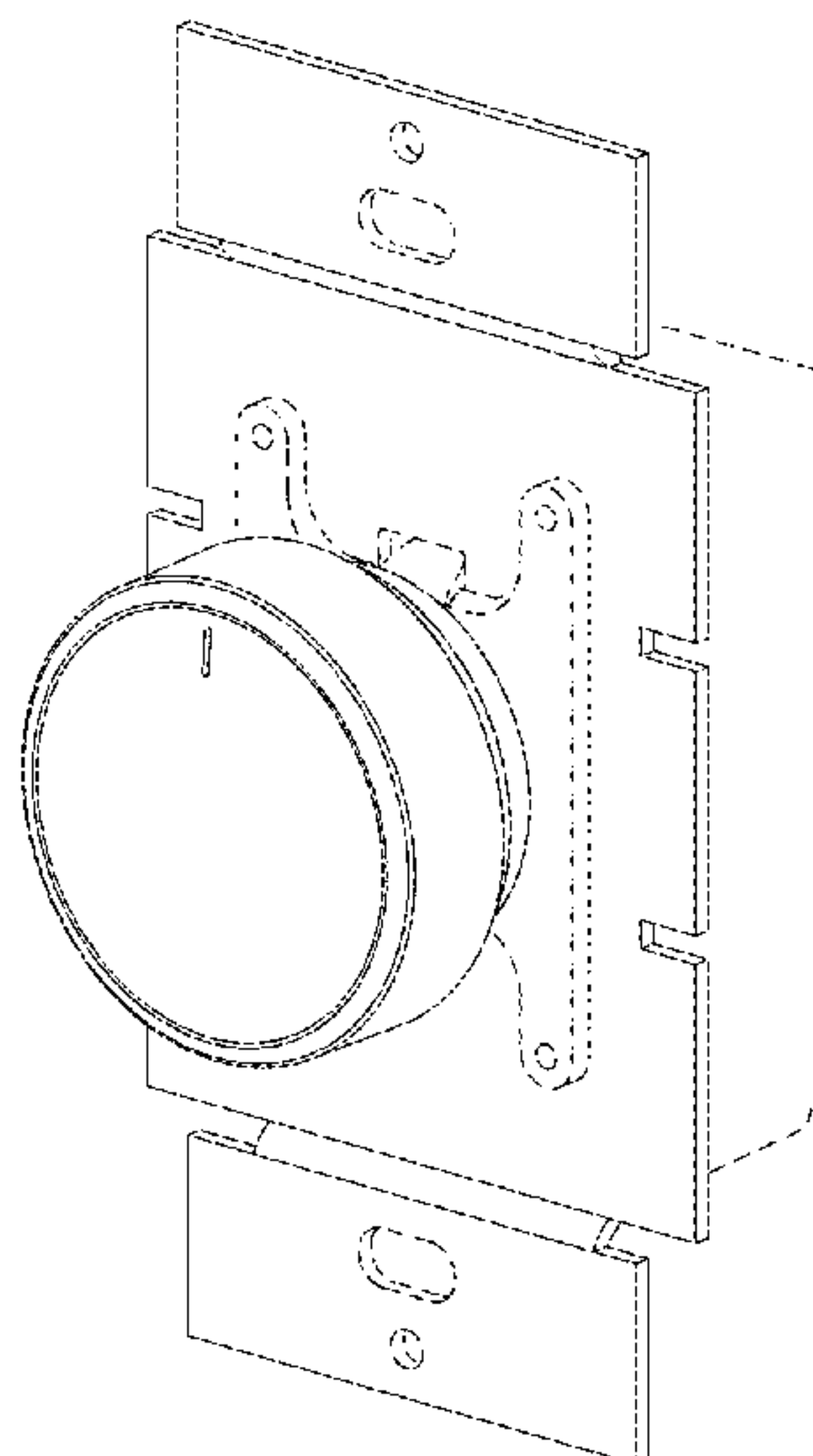
(57) **CLAIM**

The ornamental design for a control device, as shown and  
described.

**DESCRIPTION**

FIG. 1 is a front perspective view of a control device  
showing our new design;  
FIG. 2 is a front view thereof;  
FIG. 3 is a left side view thereof;  
FIG. 4 is a right side view thereof;  
FIG. 5 is a top view thereof; and,  
FIG. 6 is a bottom view thereof.  
The broken lines illustrate structure or features which form  
no part of the claimed design.

**1 Claim, 5 Drawing Sheets**



(56)

References Cited

U.S. PATENT DOCUMENTS

7,884,299 B2 2/2011 Glew  
D645,005 S 9/2011 Menheere  
D654,880 S 2/2012 Lam  
D666,978 S \* 9/2012 Felegy, Jr. .... D13/164  
D673,510 S \* 1/2013 Felegy, Jr. .... D13/164  
D687,328 S 8/2013 Clymer et al.  
8,786,196 B2 7/2014 Biery et al.  
D713,236 S 9/2014 Park  
D725,612 S 3/2015 Schlegel et al.  
D748,648 S 2/2016 Kim et al.  
D755,037 S 5/2016 Czerwinski, Jr. et al.  
9,337,943 B2 5/2016 Mosebrook et al.  
D761,277 S 7/2016 Harvell  
D762,716 S 8/2016 Yang et al.  
D763,308 S 8/2016 Wang et al.  
D766,844 S 9/2016 Turksu et al.  
9,538,619 B2 1/2017 Swatsky et al.  
9,565,742 B2 2/2017 Swatsky et al.  
9,633,557 B2 4/2017 Dimberg et al.  
D786,932 S 5/2017 Kim et al.  
D808,912 S 1/2018 Dimberg et al.  
D814,428 S 4/2018 Dimberg et al.  
D824,237 S \* 7/2018 Gregory ..... D8/311  
D837,168 S 1/2019 Altonen et al.  
D837,169 S 1/2019 Altonen et al.  
D839,847 S 2/2019 Dimberg et al.  
D846,508 S \* 4/2019 Dimberg ..... D13/171  
D868,009 S 11/2019 Dimberg et al.  
D868,010 S 11/2019 Bard et al.  
D878,309 S \* 3/2020 Altonen ..... D13/171  
D878,310 S \* 3/2020 Dimberg ..... D13/171  
D879,055 S \* 3/2020 Altonen ..... D13/171  
D892,750 S \* 8/2020 Dimberg ..... D13/171  
D892,751 S \* 8/2020 Altonen ..... D13/171  
D921,598 S \* 6/2021 Dimberg ..... D13/171  
2007/0057922 A1 3/2007 Schultz et al.  
2007/0102275 A1 5/2007 Genz et al.

2007/0193867 A1 8/2007 Lorenzo Riera et al.  
2010/0175971 A1 7/2010 Kim et al.  
2013/0328500 A1 12/2013 Toda  
2014/0042002 A1 2/2014 Chu  
2014/0117871 A1 5/2014 Swatsky et al.  
2015/0371534 A1 12/2015 Dimberg et al.  
2017/0278383 A1 9/2017 Dimberg et al.  
2017/0280533 A1 9/2017 Dimberg et al.  
2017/0352506 A1 12/2017 Dimberg  
2017/0354012 A1 12/2017 Bard et al.  
2017/0354021 A1 12/2017 Dimberg et al.  
2017/0354022 A1 12/2017 Dimberg et al.  
2017/0354023 A1 12/2017 Dimberg et al.  
2018/0005742 A1 1/2018 Newman, Jr. et al.  
2018/0116039 A1 4/2018 Harte et al.

OTHER PUBLICATIONS

Legrand®, Dimmers Brochure, 2015, 18 pages.  
Lumenpulse™, Lumentone™ Specification Sheet, 2013, 4 pages.  
Lumenpulse™, Lumentone™ Installation Instructions, 2013, 1 page.  
Lumenpulse™, Lumentone™ Quick Reference Guide, 2015, 3 pages.  
Electronic Theatre Controls, Inc., Echo Inspire@ Station Programming Guide, Software Version 2.0.1, Feb. 2015, 44 pages.  
Electronic Theatre Controls, Inc., Echo Inspire@ Control Stations, <URL:https://www.etconnect.com/Products/Architectural-Systems/Echo/Control-Stations/Inspire-Control-Stations/Features.aspx>, available from Internet at least as early as Jul. 15, 2014 [site visited May 9, 2018].  
Electronic Theatre Controls, Inc., Echo Inspire@ Control Station: 4-Button with Fader Knob, photograph taken on May 8, 2018.  
U.S. Appl. No. 62/345,449, filed Jun. 3, 2016 (unpublished).  
U.S. Appl. No. 62/345,222, filed Jun. 3, 2016 (unpublished).  
U.S. Appl. No. 29/597,335, filed Mar. 16, 2017 (unpublished).  
U.S. Appl. No. 29/697,938, filed Jul. 12, 2019 (unpublished).

\* cited by examiner

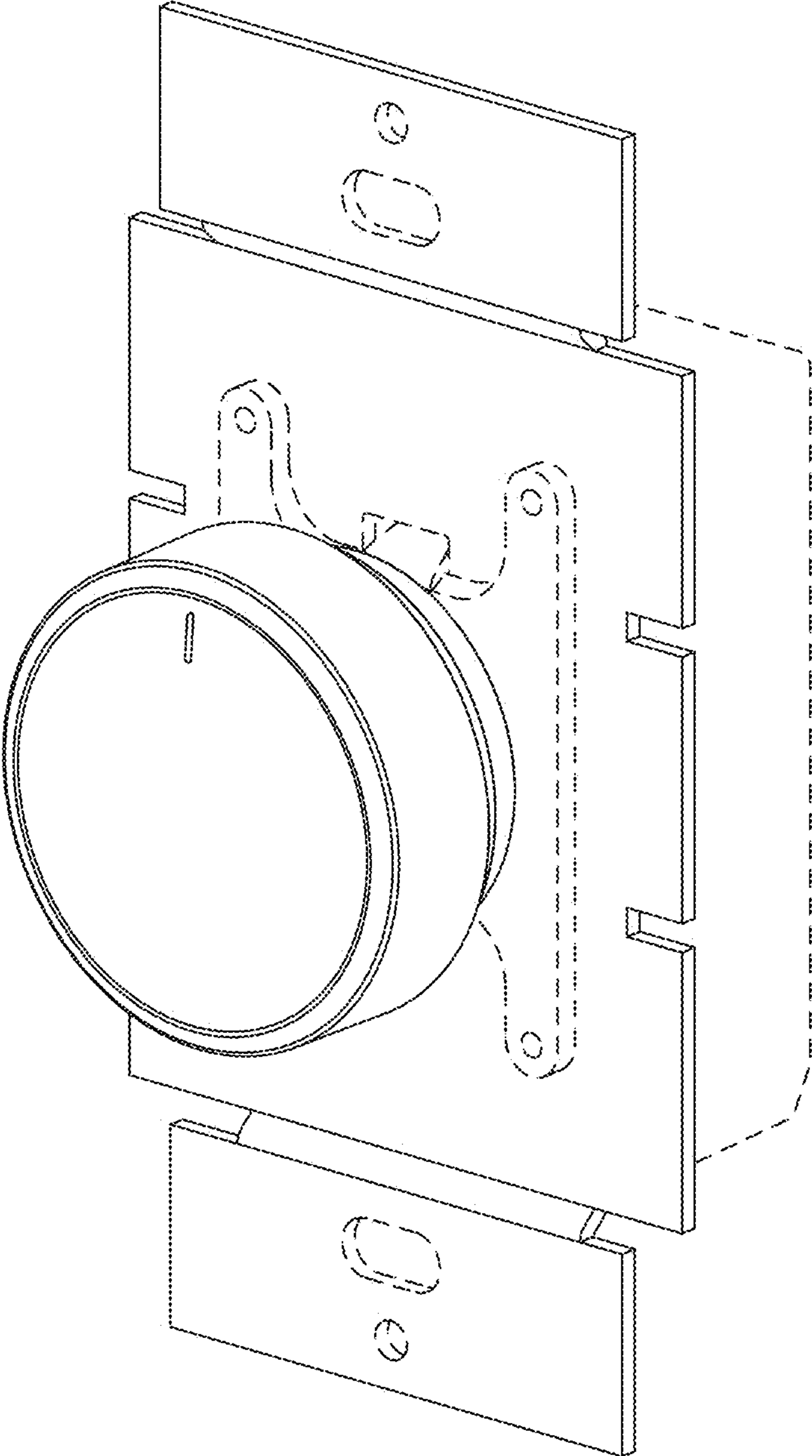


FIG. 1

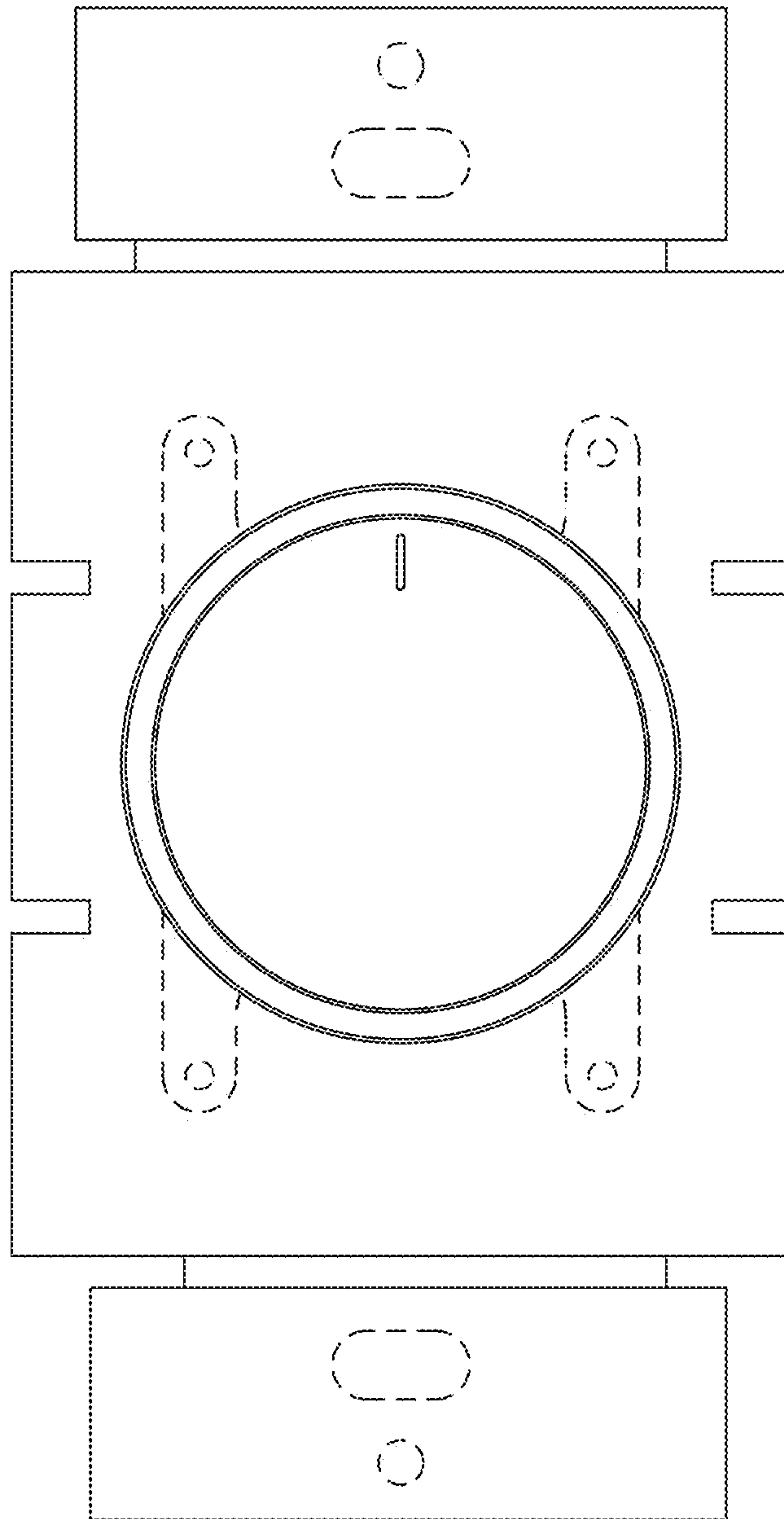


FIG. 2



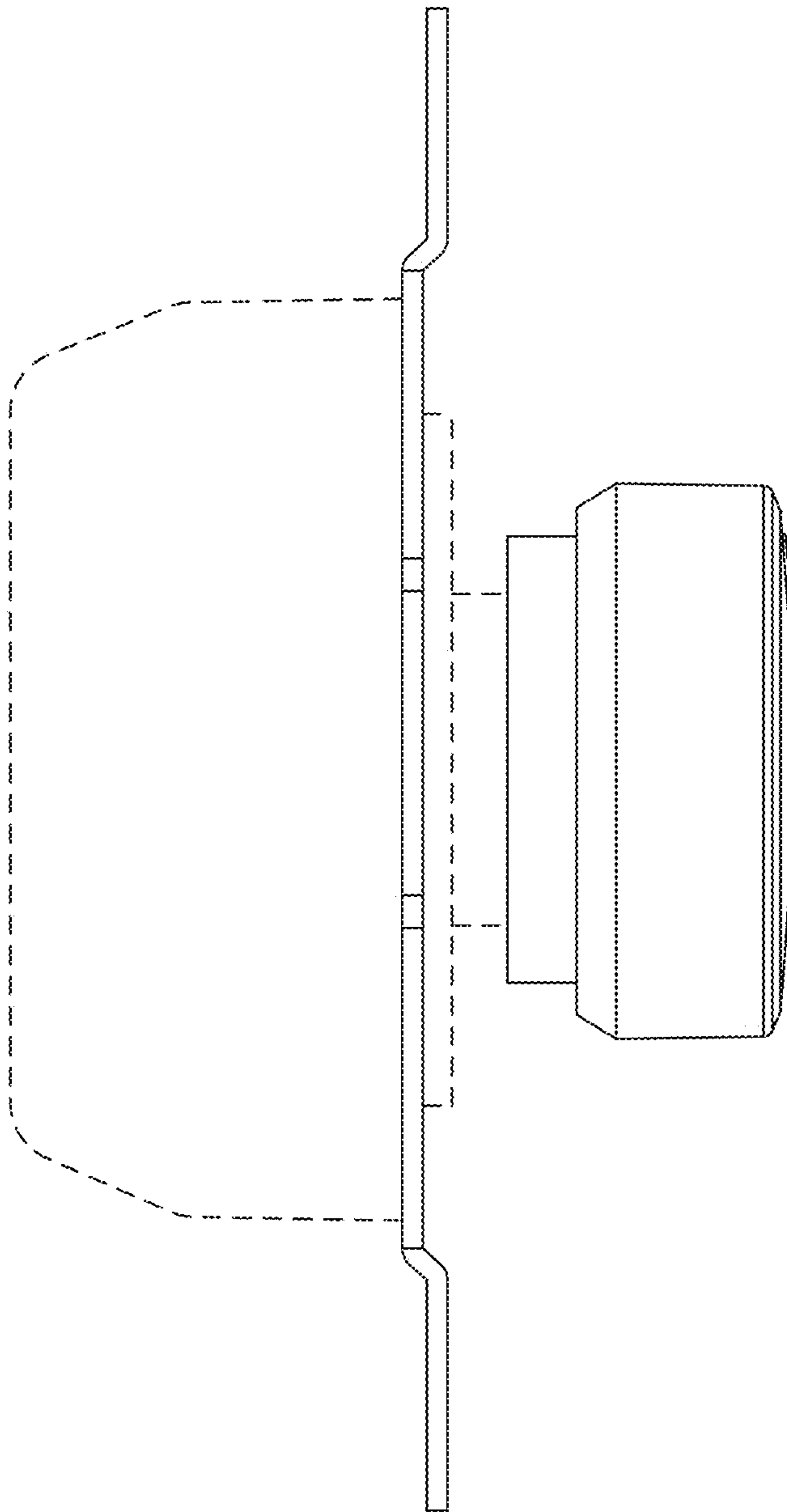


FIG. 3

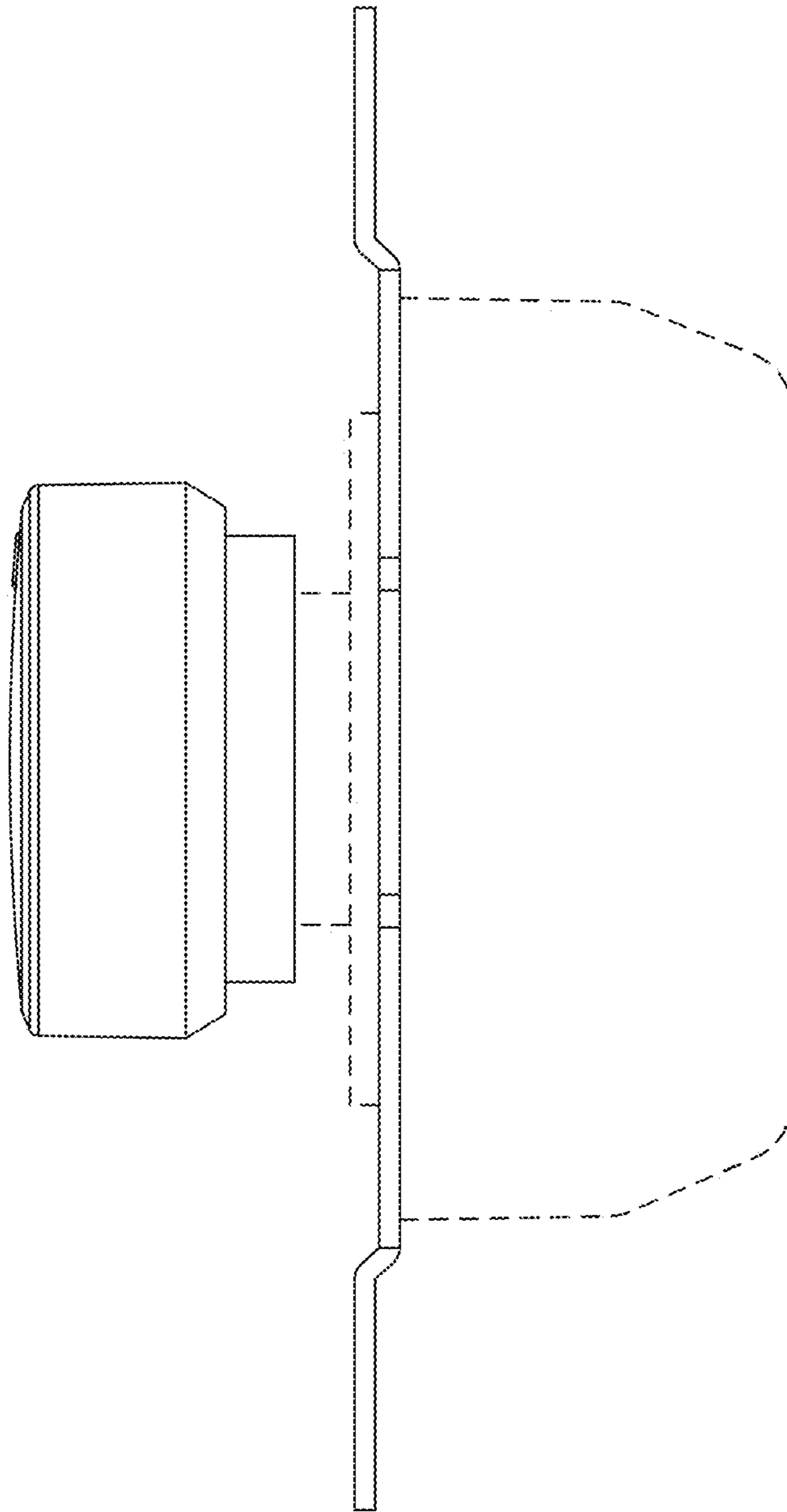


FIG. 4

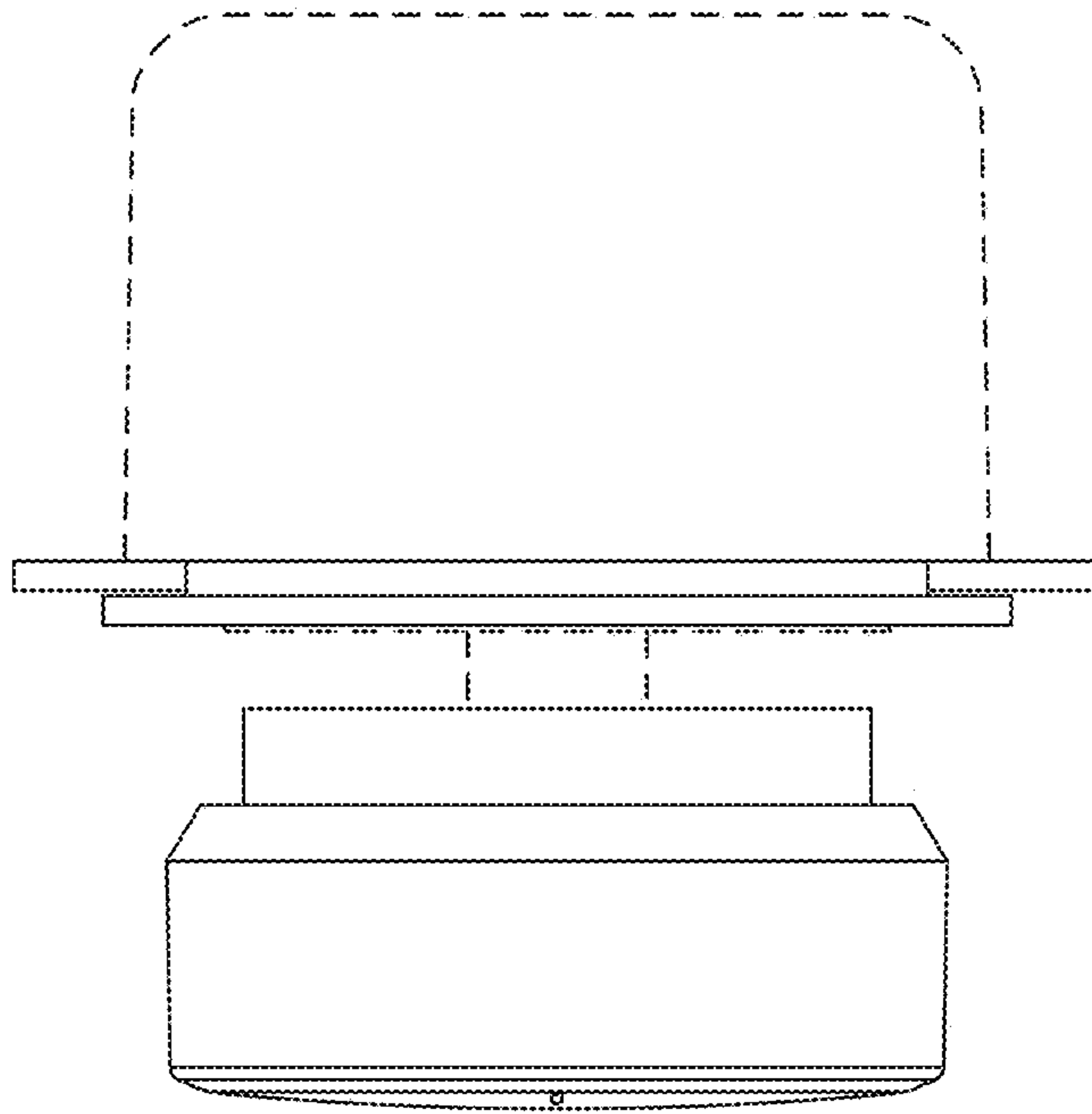


FIG. 5

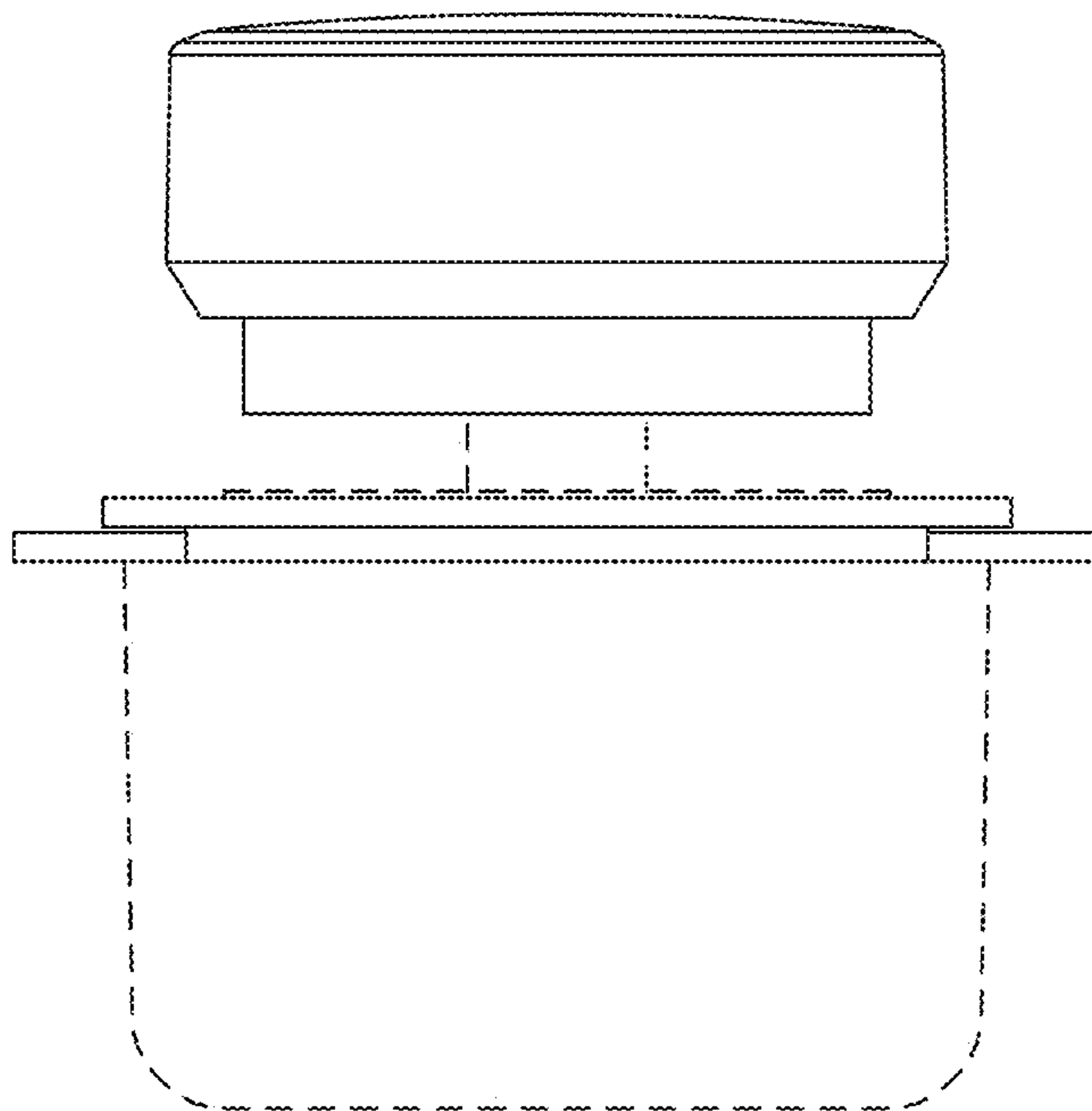


FIG. 6

UNITED STATES PATENT AND TRADEMARK OFFICE  
**CERTIFICATE OF CORRECTION**

PATENT NO. : D933,615 S  
APPLICATION NO. : 29/709557  
DATED : October 19, 2021  
INVENTOR(S) : Altonen et al.

Page 1 of 1

It is certified that error appears in the above-identified patent and that said Letters Patent is hereby corrected as shown below:

On the Title Page

Item (56) Referenced Cited  
OTHER PUBLICATIONS

Page 2, Column 2, Lines 6-7:

-Echo Inspire@ Station Programming Guide,-  
Should read:

--Echo Inspire® Station Programming Guide,--

Page 2, Column 2, Line 8:

-Echo Inspire@ Control Stations,-  
Should read:

--Echo Inspire® Control Stations,--

Page 2, Column 2, Line 13:

-Echo Inspire@ Control Station:-  
Should read:

--Echo Inspire® Control Station:--

Signed and Sealed this  
Fourteenth Day of December, 2021



Drew Hirshfeld  
*Performing the Functions and Duties of the  
Under Secretary of Commerce for Intellectual Property and  
Director of the United States Patent and Trademark Office*