



US00D933614S

(12) **United States Design Patent**  
**Tsunoda**

(10) **Patent No.:** **US D933,614 S**

(45) **Date of Patent:** **\*\* Oct. 19, 2021**

(54) **OPTICAL CONNECTOR FERRULE**

(71) Applicant: **Kyocera Corporation**, Kyoto (JP)

(72) Inventor: **Masatoshi Tsunoda**, Machida (JP)

(73) Assignee: **Kyocera Corporation**, Kyoto (JP)

(\*\*) Term: **15 Years**

(21) Appl. No.: **29/739,771**

(22) Filed: **Jun. 29, 2020**

(30) **Foreign Application Priority Data**

May 27, 2020 (JP) ..... 2020-010462

(51) **LOC (13) Cl.** ..... **13-03**

(52) **U.S. Cl.**  
USPC ..... **D13/147**

(58) **Field of Classification Search**  
USPC ..... D13/133, 146, 147, 154, 158, 184, 199;  
D14/432, 433  
CPC ... G02B 6/30; G02B 6/32; G02B 6/36; G02B  
6/3885; G02B 6/4292; G02B 6/4214;  
G02B 6/4249  
See application file for complete search history.

(56) **References Cited**

**U.S. PATENT DOCUMENTS**

D318,266 S *	7/1991	Matsuzaki	.....	D13/147
D563,890 S *	3/2008	Dever	.....	D13/147
D590,344 S *	4/2009	Suematsu	.....	D13/147
D590,773 S *	4/2009	Suematsu	.....	D13/147
D619,536 S *	7/2010	Kato	.....	D13/147
D746,779 S *	1/2016	Kato	.....	D13/147
D801,279 S *	10/2017	Hayashi	.....	D13/147
2006/0245695 A1 *	11/2006	Fujiwara	.....	G02B 6/3885 385/71
2009/0116793 A1 *	5/2009	Nishimura	.....	G02B 6/3885 385/78

2011/0229086 A1 *	9/2011	Bradley	.....	G02B 6/245 385/78
2011/0229092 A1 *	9/2011	Fujiwara	.....	G02B 6/4214 385/88
2012/0093462 A1 *	4/2012	Childers	.....	G02B 6/3853 385/33
2014/0270651 A1 *	9/2014	Kadar-Kallen	.....	G02B 6/3861 385/79
2020/0103596 A1	4/2020	Tsunoda et al.		

**FOREIGN PATENT DOCUMENTS**

JP	2019-003169	A	1/2019
JP	2019-164287	A	9/2019
WO	2018/229992	A1	12/2018
WO	2019/182028	A1	9/2019

\* cited by examiner

*Primary Examiner* — Derrick E Holland

(74) *Attorney, Agent, or Firm* — Sughrue Mion, PLLC

(57) **CLAIM**

The ornamental design for an optical connector ferrule, as shown and described.

**DESCRIPTION**

FIG. 1 is a front perspective view of an optical connector ferrule showing my new design; FIG. 2 is a rear perspective view thereof; FIG. 3 is a front elevational view thereof; FIG. 4 is rear elevational view thereof; FIG. 5 is a left-side elevational view thereof; FIG. 6 is a right-side elevational view thereof; FIG. 7 is a top plan view thereof; and, FIG. 8 is a bottom plan view thereof. The broken lines shown represent the portions of the optical connector ferrule that form no part of the claimed design. The dot-dash broken lines define the bounds of the claimed design and form no part thereof.

**1 Claim, 4 Drawing Sheets**

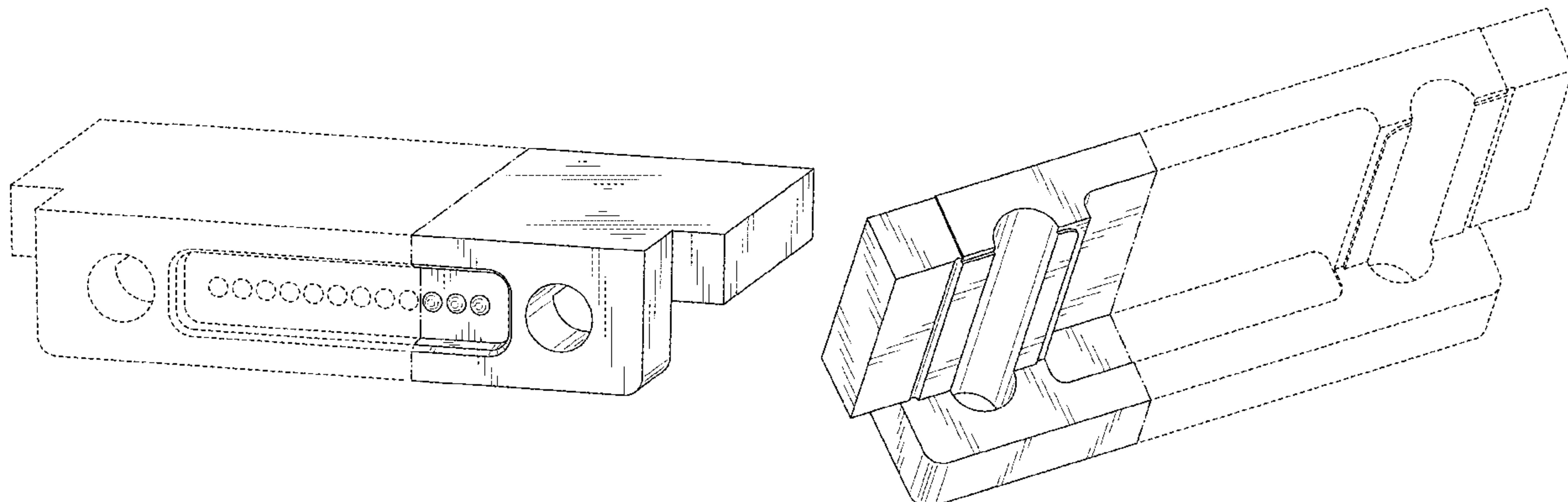


FIG. 1

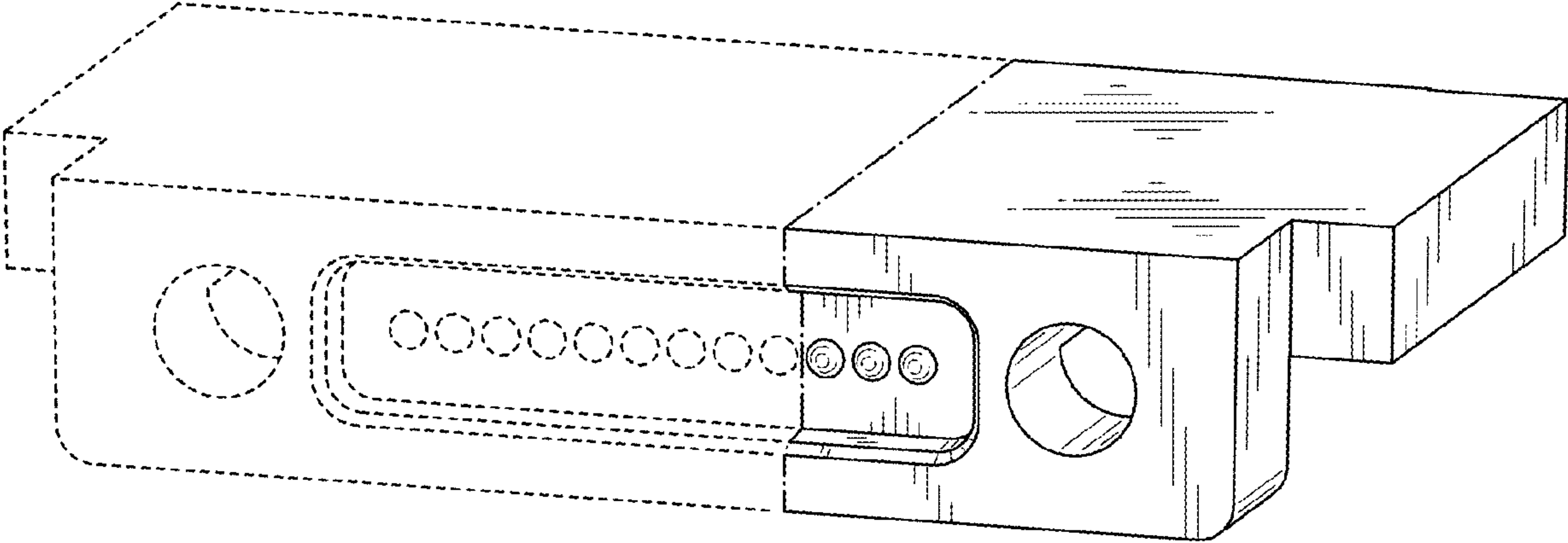
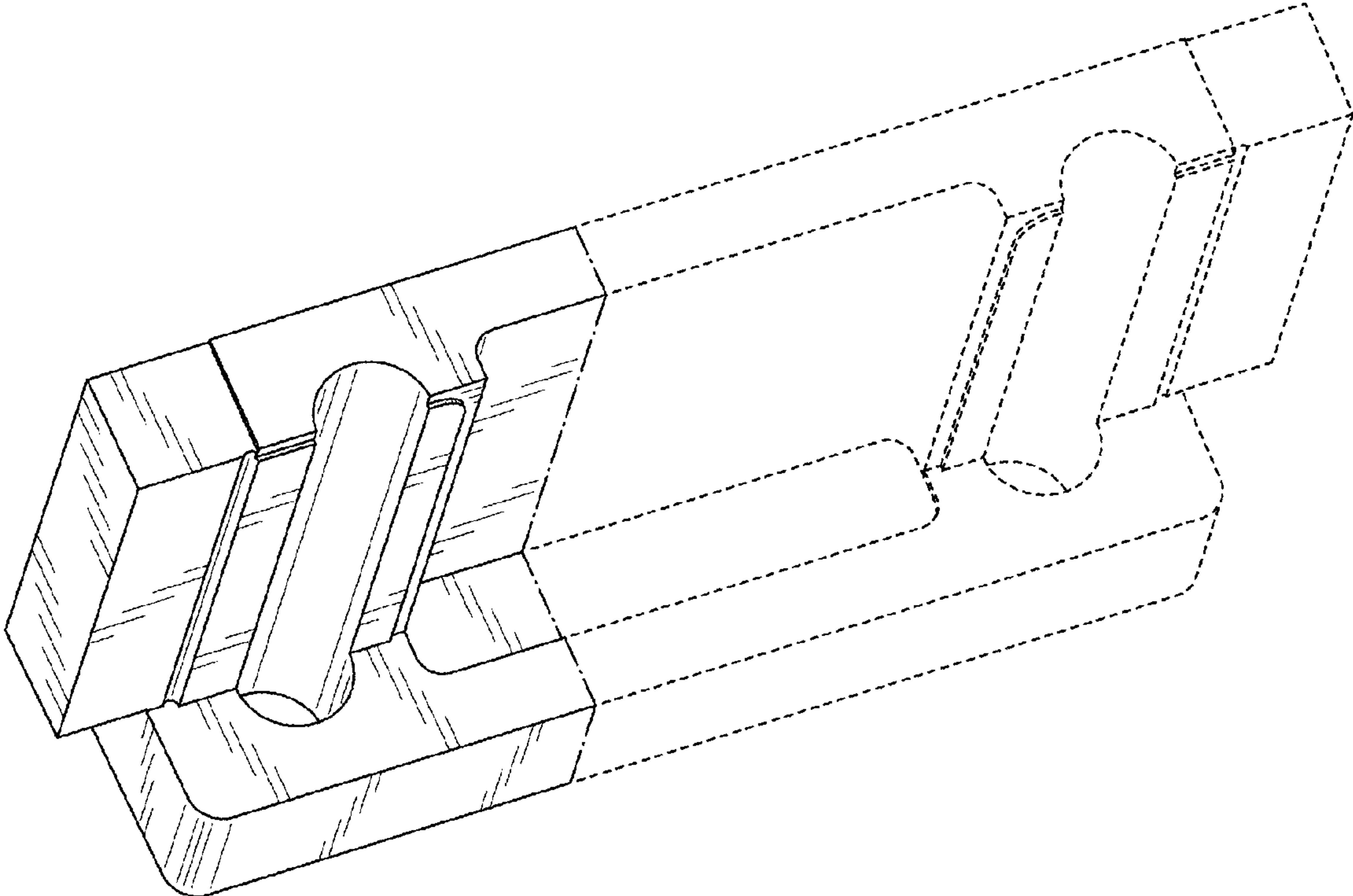
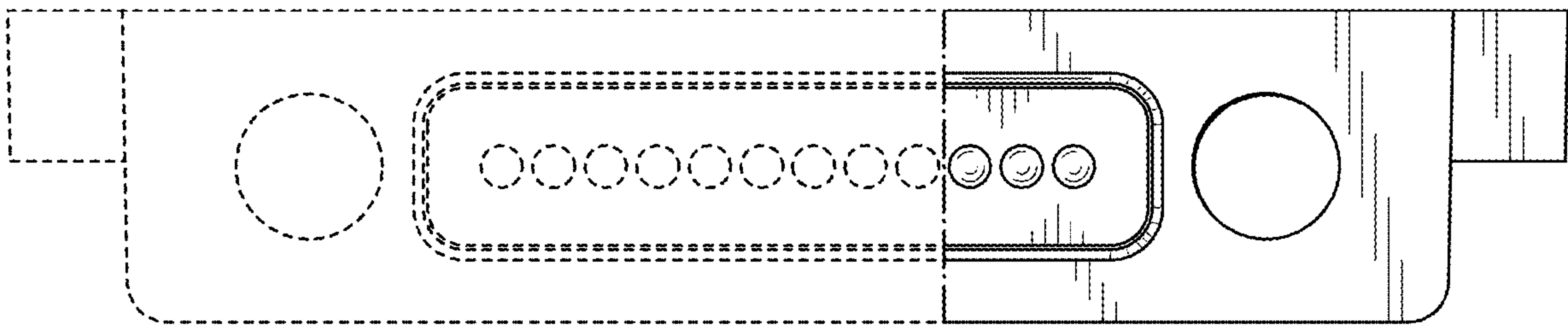


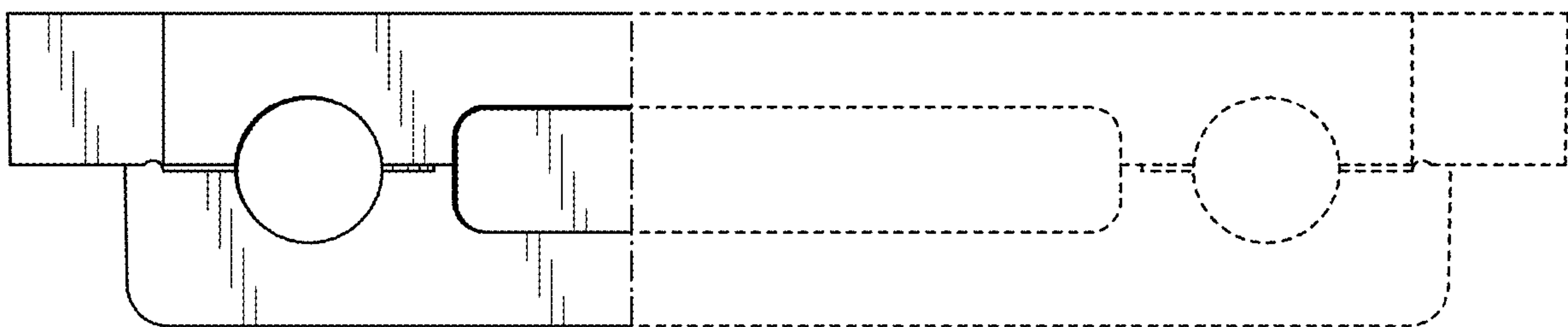
FIG. 2



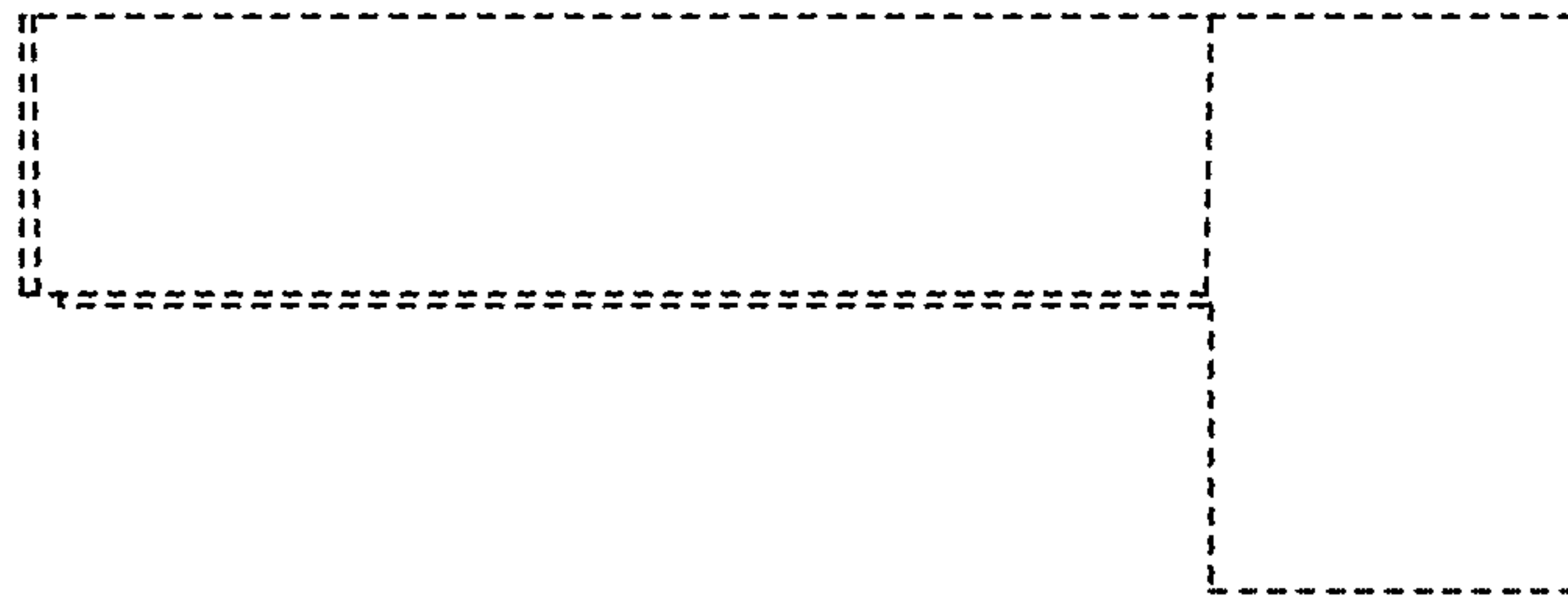
*FIG. 3*



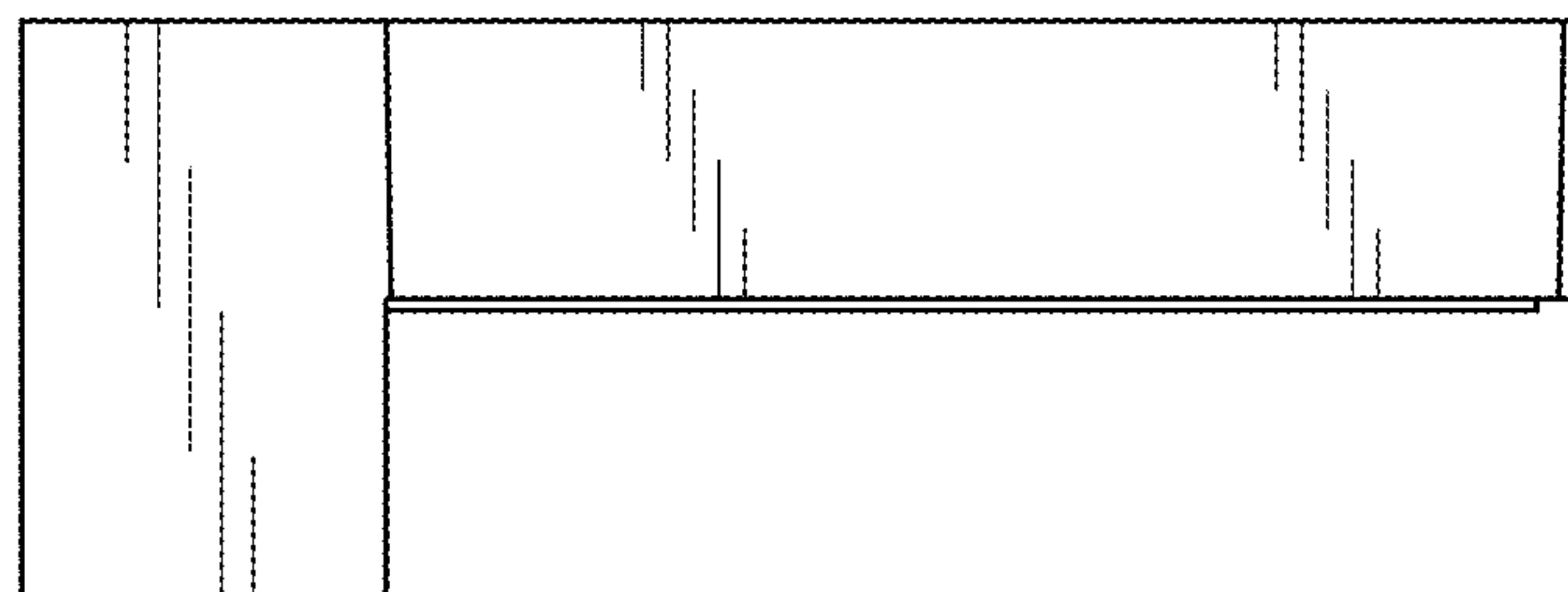
*FIG. 4*



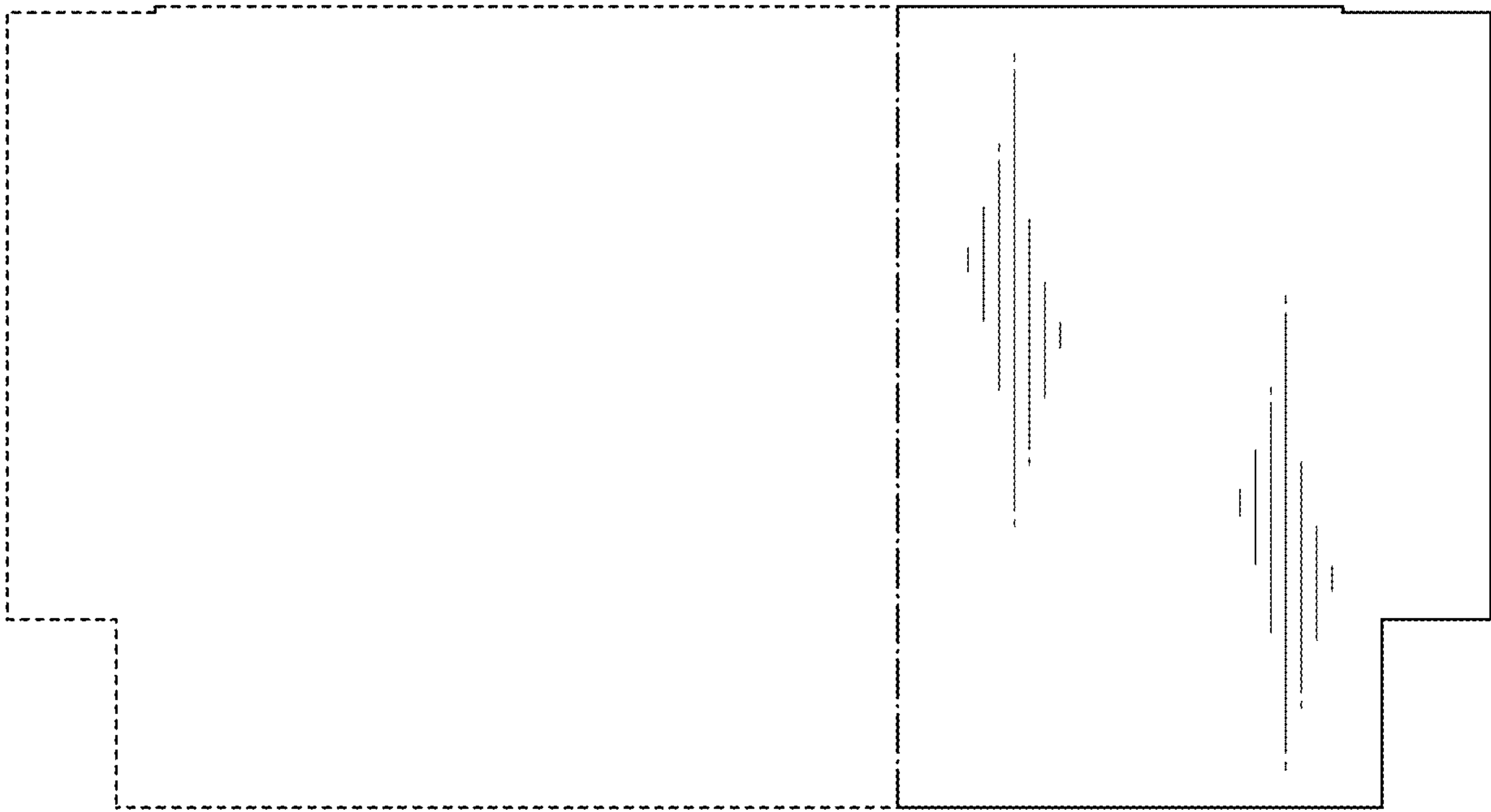
*FIG. 5*



*FIG. 6*



*FIG. 7*



*FIG. 8*

