



US00D933612S

(12) **United States Design Patent** (10) **Patent No.:** **US D933,612 S**  
**Alviar et al.** (45) **Date of Patent:** **\*\* Oct. 19, 2021**

(54) **MEDICAL DEVICE CONNECTOR**

(71) Applicant: **Physio-Control, Inc.**, Redmond, WA (US)

(72) Inventors: **Christopher Alviar**, Redmond, WA (US); **Ryan Bowman**, Redmond, WA (US); **Neal Clark**, Redmond, WA (US); **Zack Pahlman**, Redmond, WA (US); **Jeremy Wong**, Redmond, WA (US); **John Depillo**, Redmond, WA (US)

(\*\*) Term: **15 Years**

(21) Appl. No.: **29/708,182**

(22) Filed: **Oct. 3, 2019**

(51) **LOC (13) Cl.** ..... **13-03**

(52) **U.S. Cl.**  
USPC ..... **D13/147**

(58) **Field of Classification Search**  
USPC ..... D13/107, 108, 123, 133, 146, 147, 154, D13/184, 199; D24/107, 127, 129, 167, D24/168, 187  
CPC .... A61N 1/39; A61B 5/00; A61B 5/04; A61B 5/0408; A61B 5/0416; A61B 6/03; H01R 9/00; H01R 9/03; H01R 13/00; H01R 13/46; H01R 13/627; H01R 13/64; H01R 13/73; H01R 24/00

See application file for complete search history.

(56) **References Cited**

**U.S. PATENT DOCUMENTS**

D561,109 S \* 2/2008 Howerton ..... D13/147  
D601,965 S \* 10/2009 Rupp ..... D13/147  
D609,188 S \* 2/2010 Lee ..... D13/147  
D704,657 S \* 5/2014 Smith ..... D13/147

D794,573 S \* 8/2017 Tateishi ..... D13/147  
D892,060 S \* 8/2020 Zhang ..... D13/147  
2012/0315771 A1\* 12/2012 Greig ..... B64D 11/0624  
439/39

**FOREIGN PATENT DOCUMENTS**

WO WO-2010033992 A1 \* 3/2010 ..... A61N 1/3904

**OTHER PUBLICATIONS**

Onanon Medical Connectors Pluto, dated Apr. 27, 2017, [online], [site visited Oct. 6, 2020]. Available from Internet, URL: <http://www.onanon.com/medical-connectors> (Year: 2017).\*

(Continued)

*Primary Examiner* — Shawn T Gingrich  
(74) *Attorney, Agent, or Firm* — Lee & Hayes, P.C.

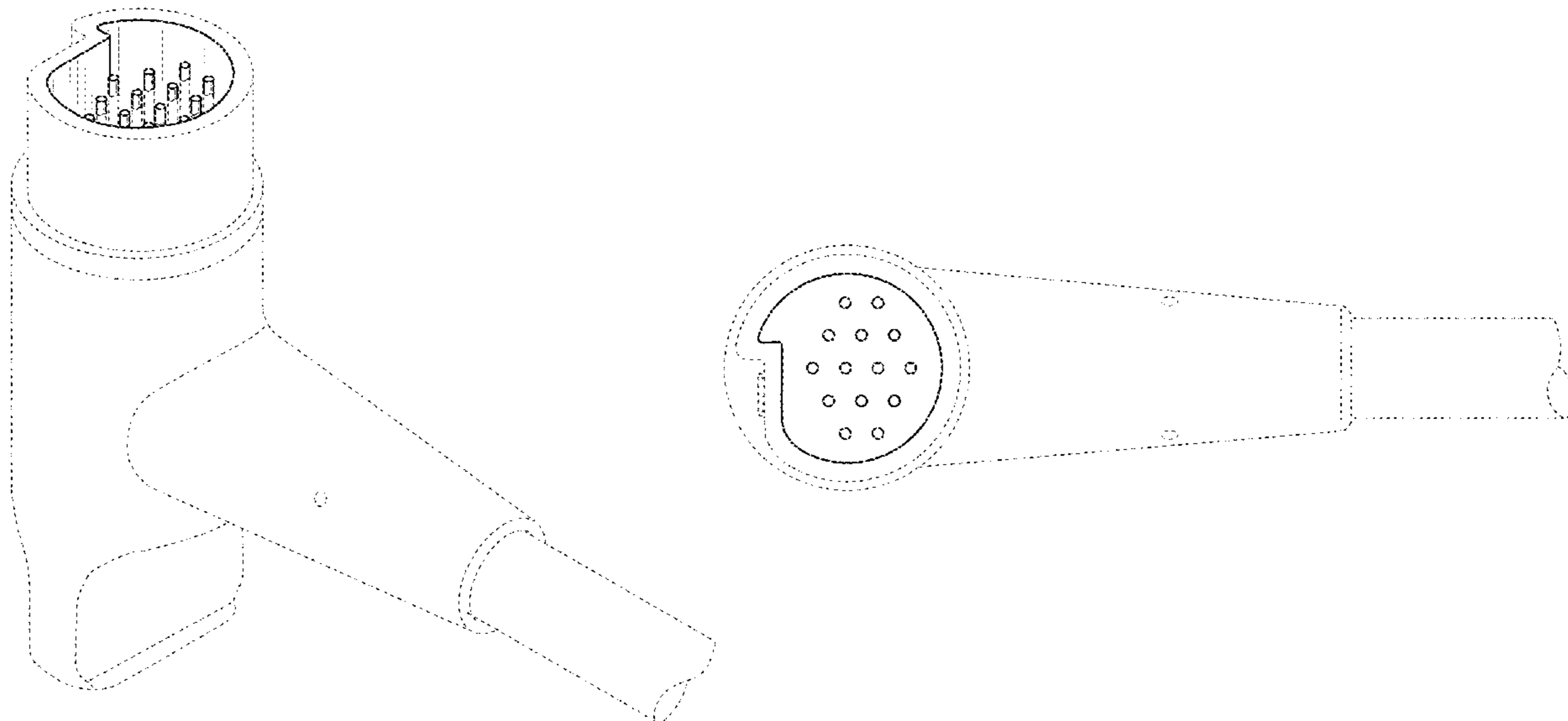
(57) **CLAIM**

The ornamental design for a medical device connector, as shown and described.

**DESCRIPTION**

FIG. 1 is a top perspective view of a medical device connector;  
FIG. 2 is an enlarged view of a left perspective of the medical device connector shown in FIG. 1;  
FIG. 3 is a top view thereof;  
FIG. 4 is a front side view thereof;  
FIG. 5 is a back view thereof; and,  
FIG. 6 is a side view thereof.  
The dashed-lines represent the remainder of the article and do not form part of the claimed design, are directed to environment, and represent unclaimed subject matter.  
The unshaded surfaces form no part of the claimed design. The undulating thin line located on each pin of the medical device connector represent a boundary of the claimed design and form no part of the claimed design.

**1 Claim, 4 Drawing Sheets**



(56)

**References Cited**

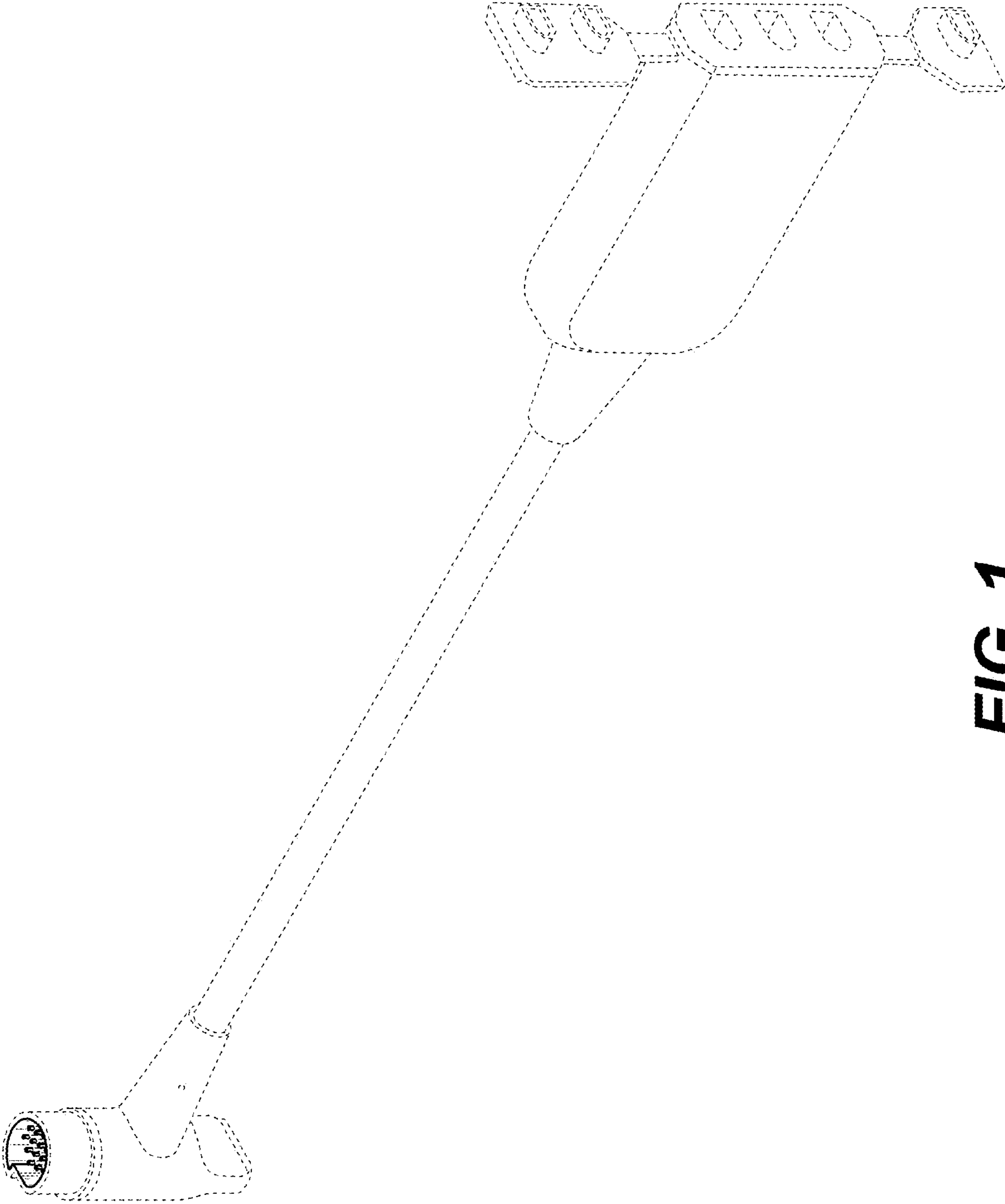
OTHER PUBLICATIONS

14 Pin Male Plug 136961 141162 Miller Hobart Wire Feeder, dated May 10, 2016, [online], [site visited Oct. 6, 2020]. Available from Internet, URL: <https://www.amazon.com/Male-Plug-Miller-Thermal-Hobart/dp/B00O1GXW72> (Year: 2016).\*

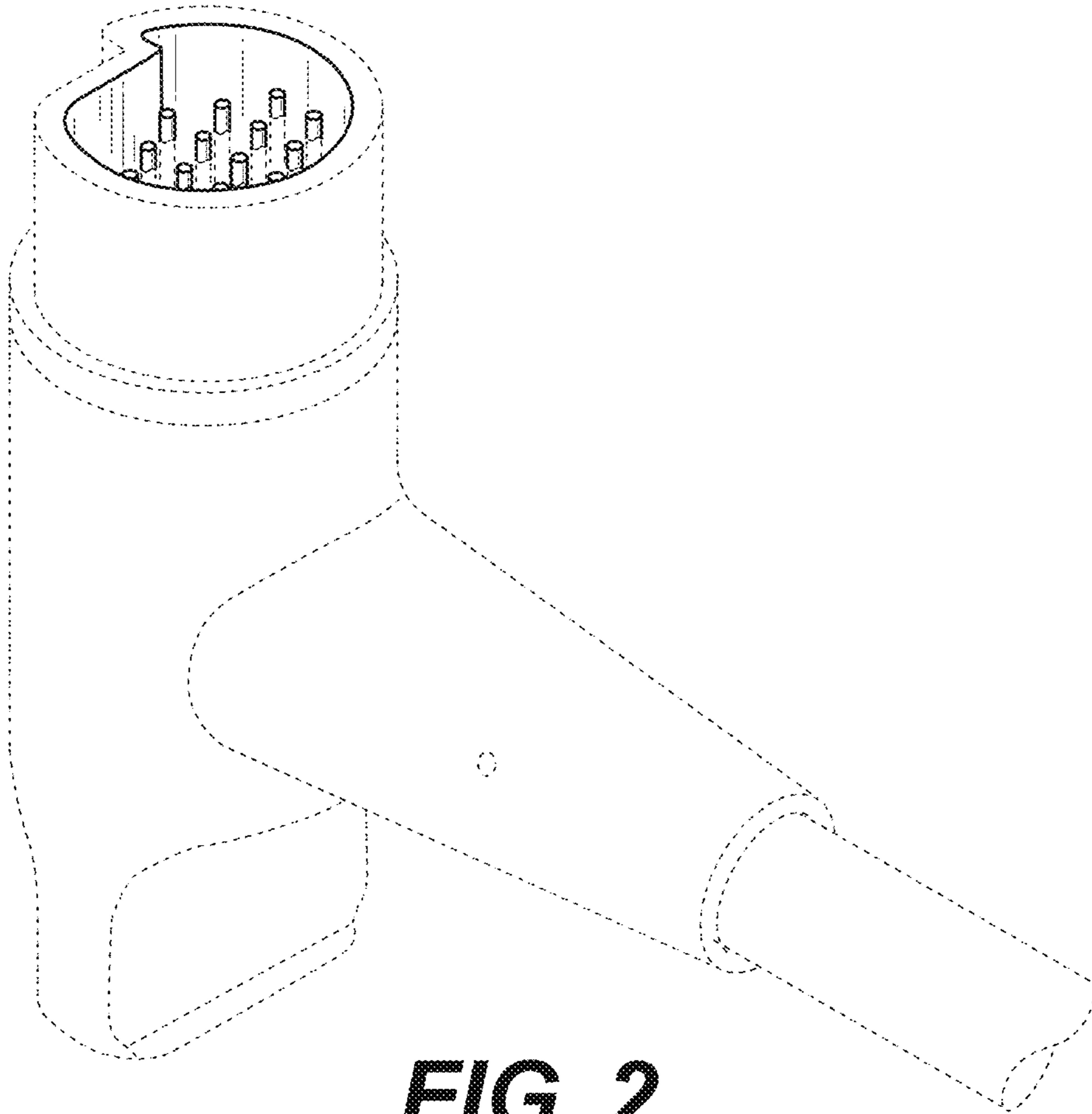
Amphenol Industrial MS3102A20-27P, dated Feb. 24, 2019, [online], [site visited Oct. 6, 2020]. Available from Internet, URL: <https://www.alliedelec.com/product/amphenol-industrial/ms3102a20-27p/70010014/> (Year: 2019).\*

14 Pin Male Plug 136961 141162 Fit For Miller Metal welder, Hobart, Wire Feeder, dated Oct. 17, 2018, [online], [site visited Oct. 6, 2020]. Available from Internet, URL: <https://www.amazon.com/136961-141162-Miller-welder-Hobart/dp/B07JHLGDJH> (Year: 2018).\*

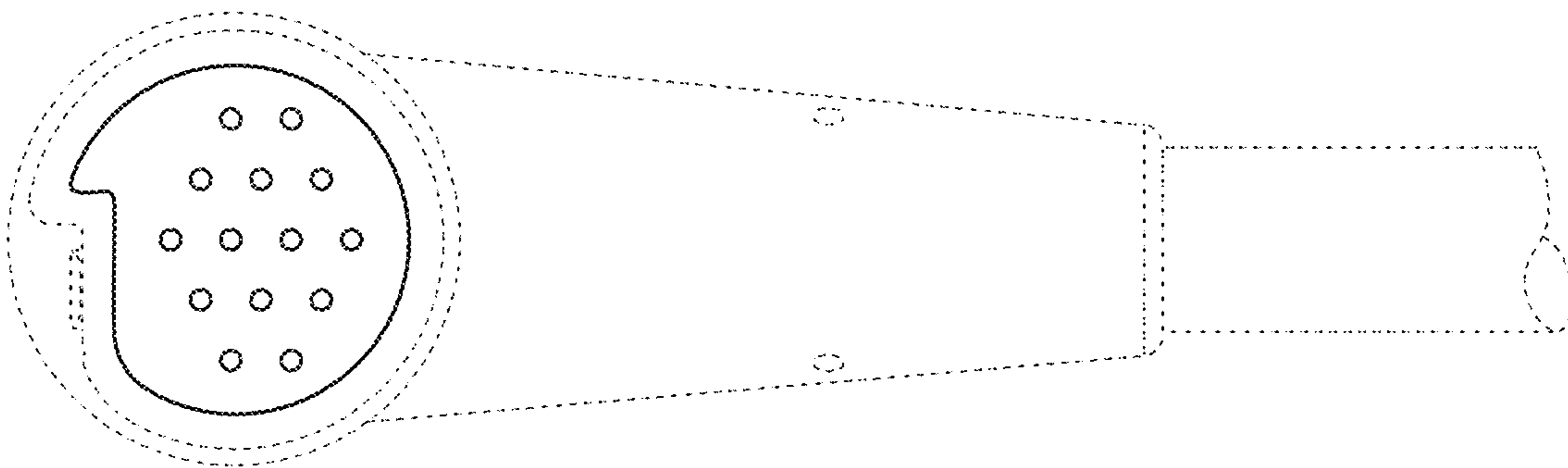
\* cited by examiner



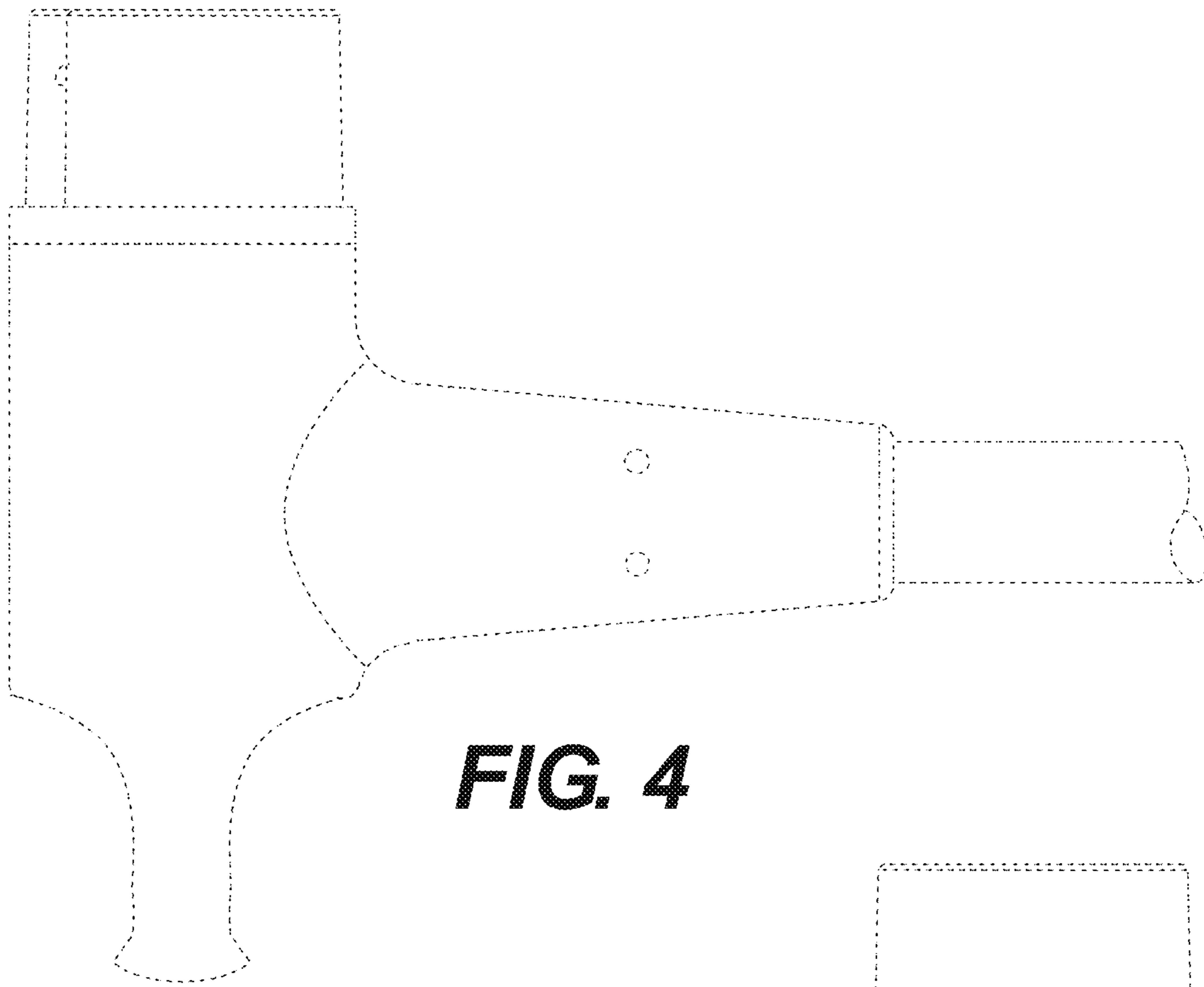
**FIG. 1**



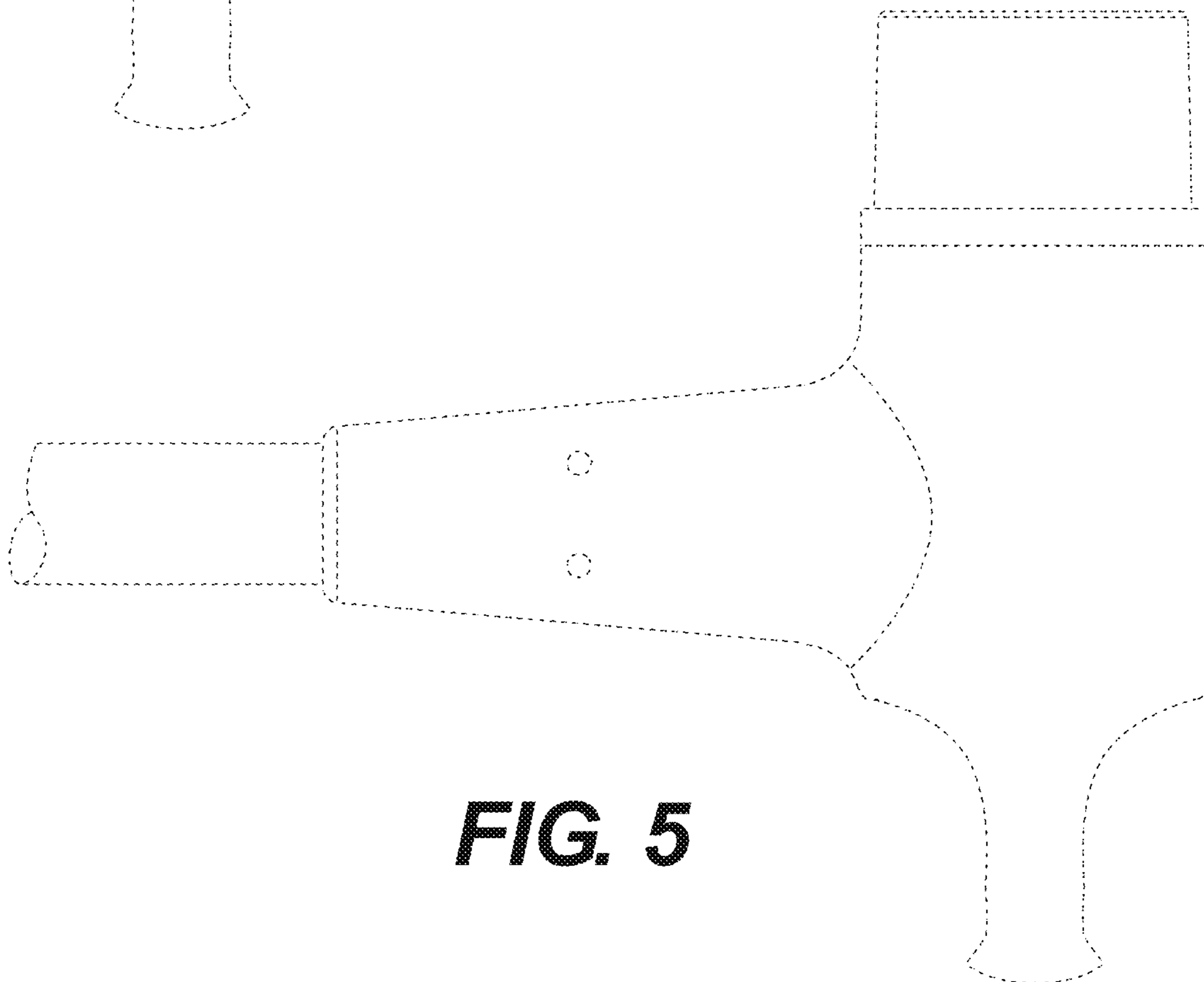
**FIG. 2**



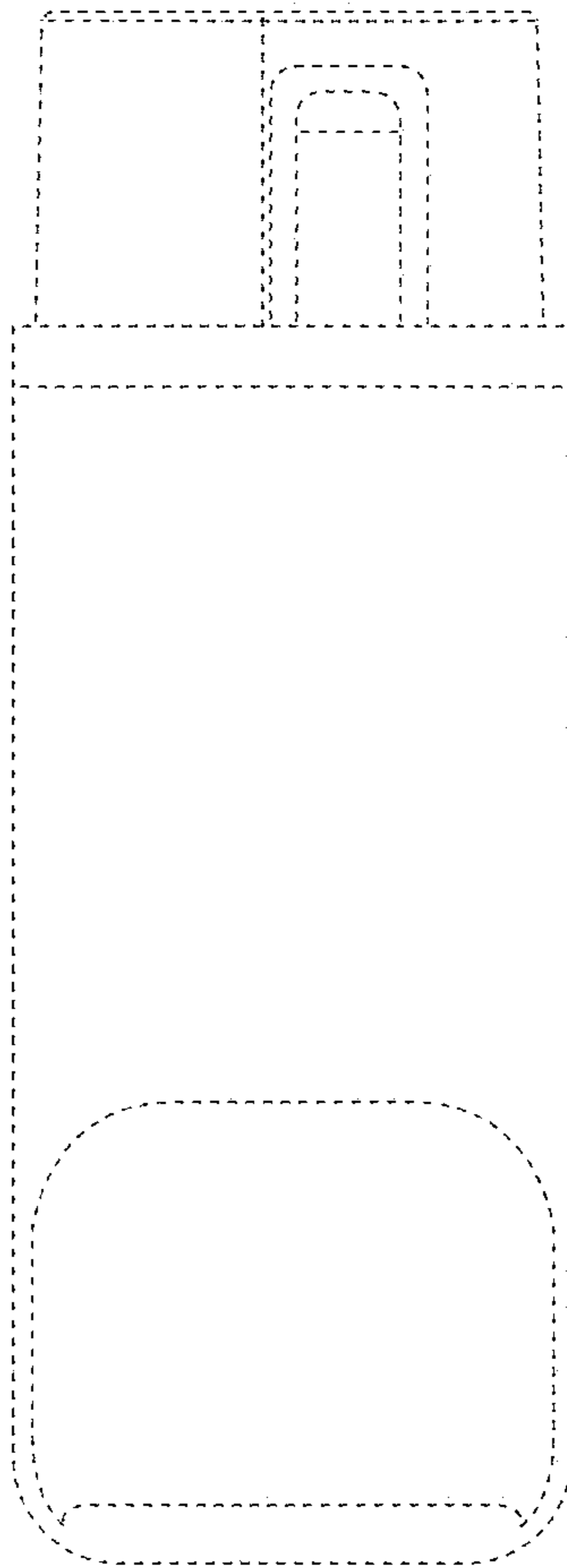
**FIG. 3**



**FIG. 4**



**FIG. 5**



**FIG. 6**