



US00D933611S

(12) **United States Design Patent**  
**Maranto**

(10) **Patent No.: US D933,611 S**

(45) **Date of Patent: \*\* \*Oct. 19, 2021**

(54) **ELECTRICAL RECEPTACLE WITH IN-LINE POWER UNIT**

(71) Applicant: **Group Dekko, Inc.**, Garrett, IN (US)

(72) Inventor: **Vincent Maranto**, Fort Wayne, IN (US)

(73) Assignee: **Group Dekko, Inc.**, Garrett, IN (US)

(\*) Notice: This patent is subject to a terminal disclaimer.

(\*\*) Term: **15 Years**

(21) Appl. No.: **29/723,868**

(22) Filed: **Feb. 11, 2020**

**Related U.S. Application Data**

(63) Continuation-in-part of application No. 29/663,383, filed on Sep. 14, 2018, now Pat. No. Des. 911,975.

(51) **LOC (13) Cl.** ..... **13-03**

(52) **U.S. Cl.**  
USPC ..... **D13/139.8**

(58) **Field of Classification Search**  
USPC ..... D13/103, 107, 108, 110, 133,  
D13/137.1–137.4, 138.1–138.2,  
D13/139.1–139.8, 146, 147, 151–156,  
D13/173, 177, 199, 137.2, 139.4, 123,  
D13/184; D14/432, 433, 435.1, 250;  
D23/231, 232; D15/7–9; D8/350,  
D8/353–356

CPC ..... H01R 11/00; H01R 9/00; H01R 13/00;  
H01R 13/04; H01R 13/10; H01R  
13/6666; H01R 13/6675; H01R 25/00;  
H01R 25/006; H01H 2207/00; H01H  
2207/022; Y02E 60/12; Y02E 60/122;  
Y02E 60/124; Y02E 60/50; H01M 2/02;  
H01M 2/022; H01M 2/0202; H01M  
2/0207; H01M 2/0212; H01M 2/1061;  
H01M 2/1022; H01M 2/1055; H01M  
2/1066; H01M 2/105; H01M 2/204; H02J  
7/00; H02J 7/0003; H02J 7/0011; H02J

7/0013; H02J 7/0054; H02J 7/0055; H02J  
7/0057; Y02T 10/7005; Y02T 10/705;  
Y02T 10/7088; B60L 11/1809; B60L  
11/1861

See application file for complete search history.

(56) **References Cited**

U.S. PATENT DOCUMENTS

6,004,157 A \* 12/1999 Glass ..... A47B 21/06  
439/535  
9,148,006 B2 \* 9/2015 Byrne ..... H02G 3/18  
(Continued)

OTHER PUBLICATIONS

YouTube.com: Dekko Product Highlight: Ashley InLine. Published on Sep. 6, 2017. Retrieved from the internet at <[https://www.youtube.com/watch?v=KPED1u9\\_uHI](https://www.youtube.com/watch?v=KPED1u9_uHI)>, May 21, 2020. 1 page. (Year: 2017).\*

*Primary Examiner* — Christy Nemeth

(74) *Attorney, Agent, or Firm* — Taylor IP, P.C.

(57) **CLAIM**

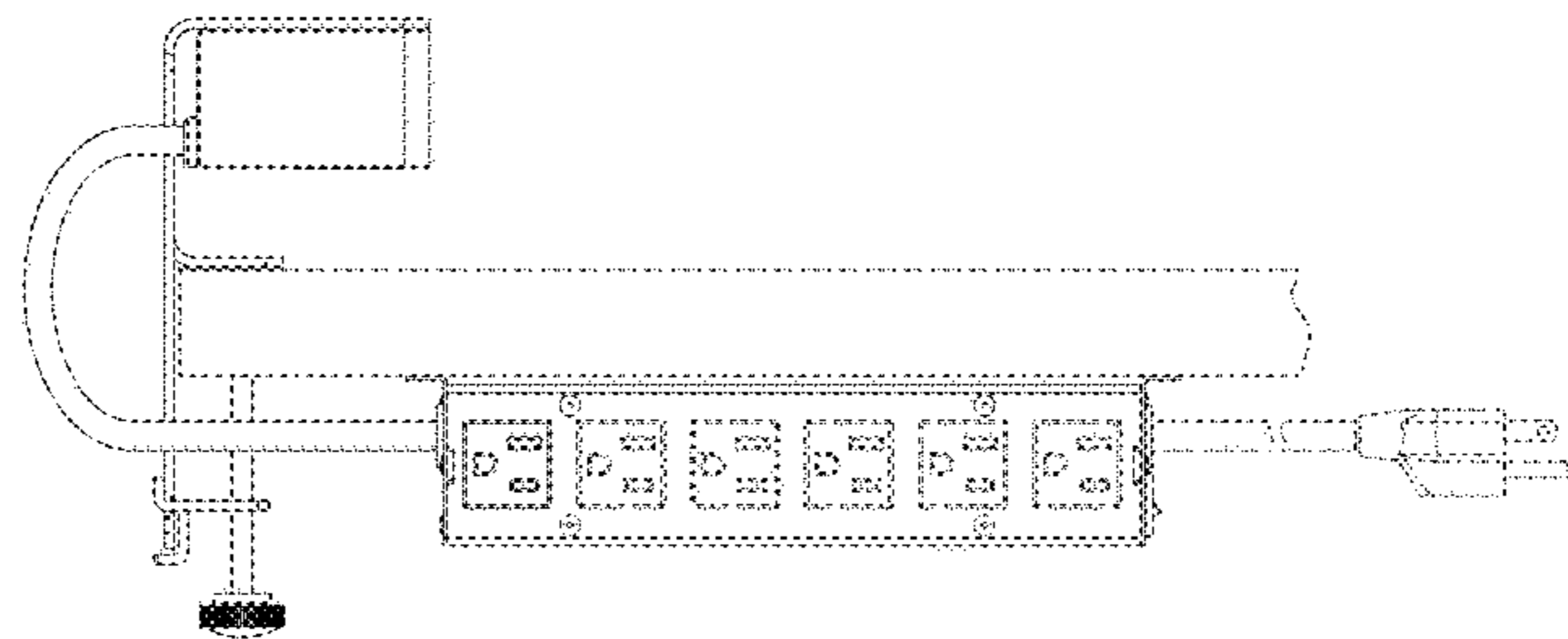
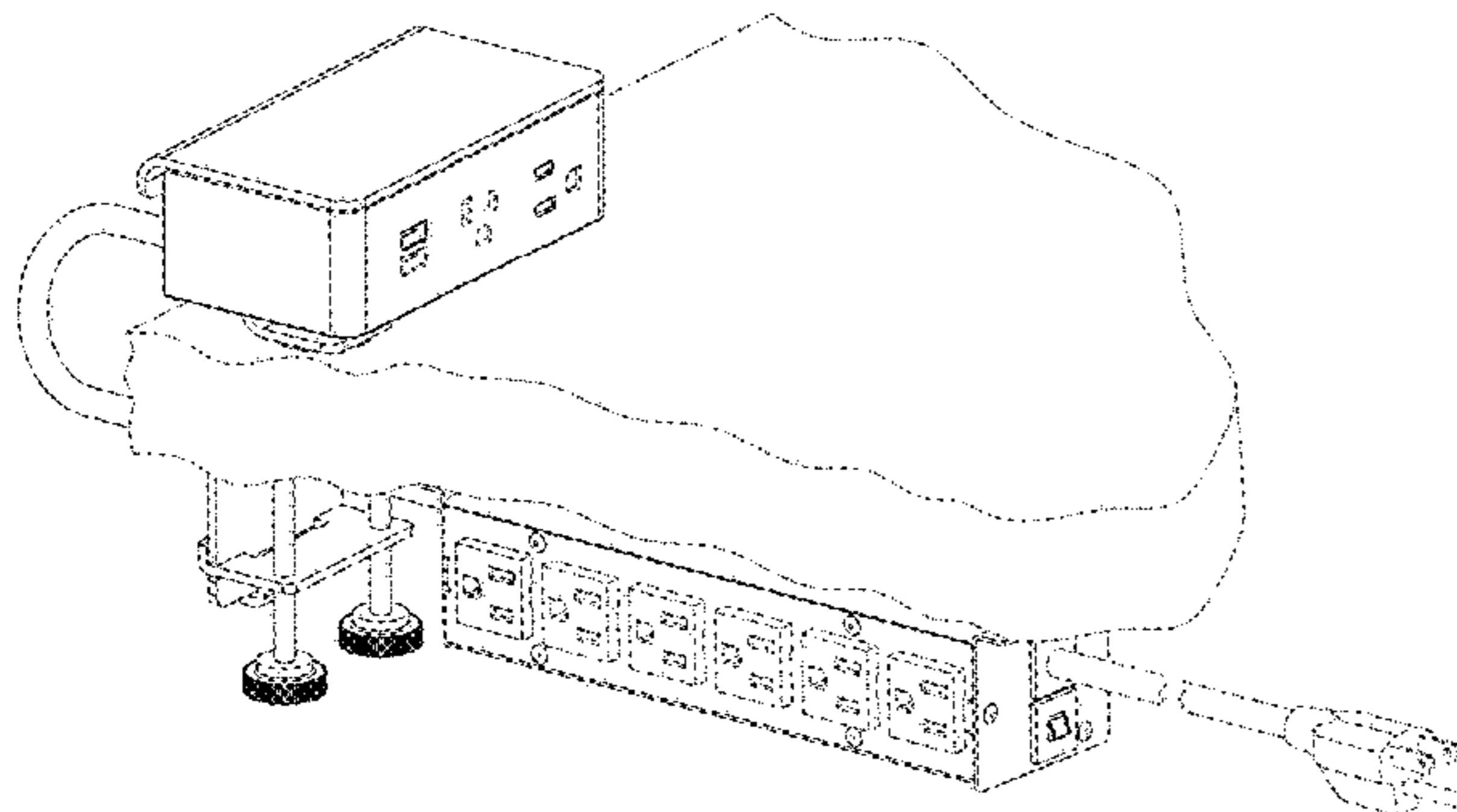
The ornamental design for an electrical receptacle with in-line power unit, as shown and described.

**DESCRIPTION**

FIG. 1 is a perspective view of an electrical receptacle with in-line power unit showing my new design;  
FIG. 2 is a left side view thereof;  
FIG. 3 is a front view thereof;  
FIG. 4 is a right side view thereof;  
FIG. 5 is a back view thereof;  
FIG. 6 is a top view thereof; and  
FIG. 7 is a bottom view thereof.

In the drawings, the broken lines are for the purpose of illustrating environmental subject matter and portions of the article that form no part of the claimed design.

**1 Claim, 7 Drawing Sheets**



(56)

References Cited

U.S. PATENT DOCUMENTS

D740,228 S \* 10/2015 Page ..... D13/139.4  
 D770,976 S \* 11/2016 Xu ..... D13/110  
 D775,080 S \* 12/2016 Newhouse ..... D13/139.4  
 D775,081 S \* 12/2016 Xu ..... D13/139.6  
 9,614,336 B2 \* 4/2017 Los ..... H01R 27/02  
 9,706,833 B2 \* 7/2017 Newhouse ..... A47B 21/06  
 D796,445 S \* 9/2017 Xu ..... D13/139.6  
 9,755,385 B1 \* 9/2017 Kondas ..... H01R 13/74  
 D798,812 S \* 10/2017 Xu ..... D13/110  
 D798,818 S \* 10/2017 Kondas ..... D13/139.4  
 D799,428 S \* 10/2017 Kondas ..... D13/139.4  
 D801,276 S \* 10/2017 Lin ..... D13/139.7  
 9,804,652 B2 \* 10/2017 Volek ..... G06F 1/1601  
 D804,419 S \* 12/2017 Hayes ..... D13/139.4  
 D812,009 S \* 3/2018 Hayes ..... D13/139.4  
 D816,037 S \* 4/2018 Byrne ..... D13/137.2  
 D816,039 S \* 4/2018 Lu ..... D13/139.8  
 D828,304 S \* 9/2018 Chen ..... D13/139.8  
 D832,215 S \* 10/2018 Xu ..... D13/137.2

10,116,094 B2 \* 10/2018 Byrne ..... H01R 43/26  
 D835,580 S \* 12/2018 Xiong ..... D13/110  
 D837,736 S \* 1/2019 Liao ..... D13/139.7  
 D839,828 S \* 2/2019 Byrne ..... D13/139.4  
 D840,347 S \* 2/2019 Byrne ..... D13/139.4  
 D843,316 S \* 3/2019 Zhou ..... D13/108  
 D848,371 S \* 5/2019 Byrne ..... D13/139.4  
 D849,686 S \* 5/2019 Byrne ..... D13/137.2  
 D852,749 S \* 7/2019 Wang ..... D13/139.8  
 D856,937 S \* 8/2019 Rupert ..... D13/139.4  
 D864,864 S \* 10/2019 Xu ..... D13/110  
 D864,874 S \* 10/2019 Xu ..... D13/139.8  
 D867,998 S \* 11/2019 Gorretta ..... D13/139.8  
 D869,397 S \* 12/2019 Hayes ..... A47B 9/00  
 D13/137.2  
 D871,333 S \* 12/2019 Xiong ..... D13/110  
 D871,344 S \* 12/2019 Lyu ..... D13/139.8  
 D872,021 S \* 1/2020 Xu ..... D13/110  
 D872,027 S \* 1/2020 Lien ..... D13/139.6  
 D911,975 S \* 3/2021 Maranto ..... D13/139.8  
 2020/0388971 A1 12/2020 Byrne et al.

\* cited by examiner

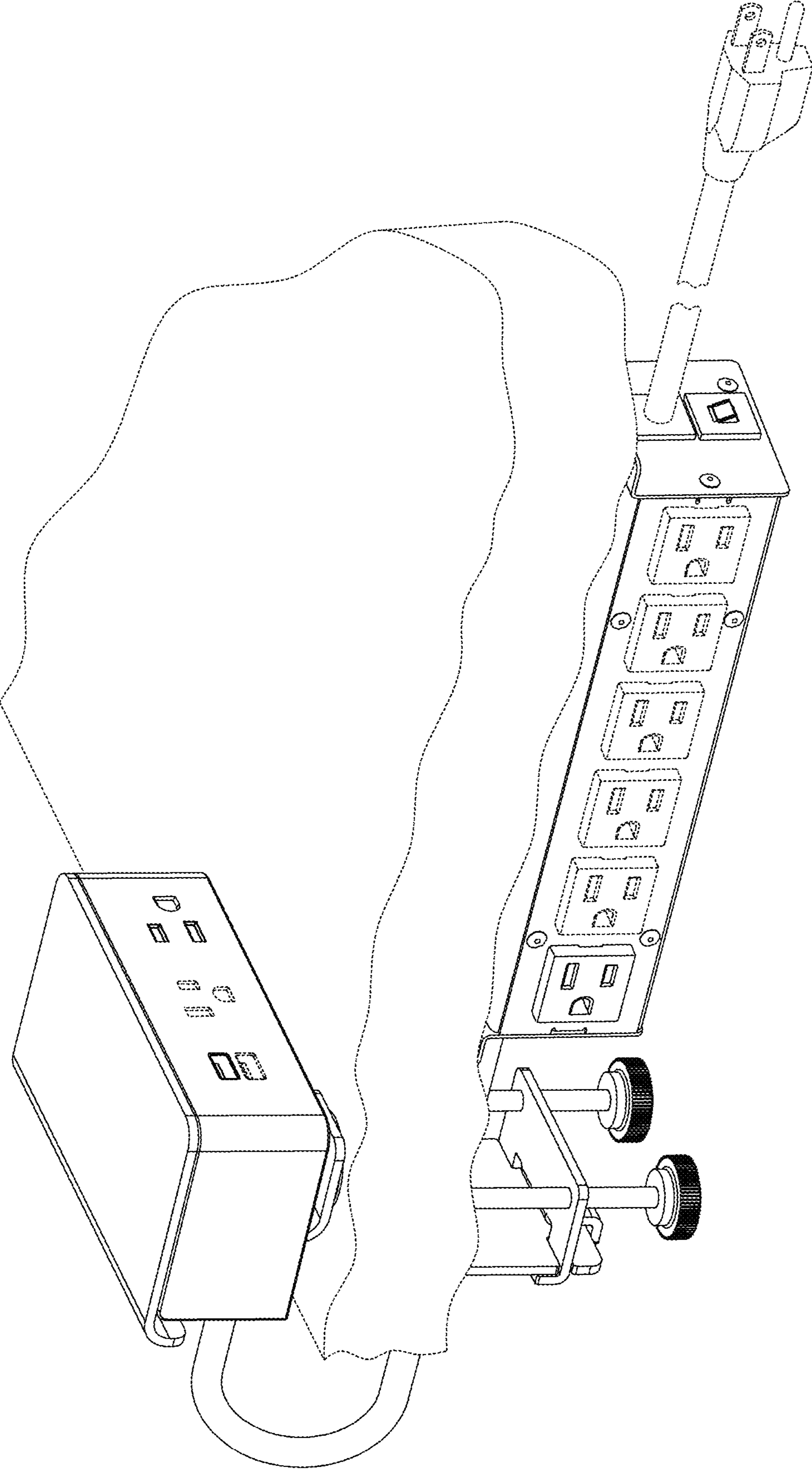


FIG. 1

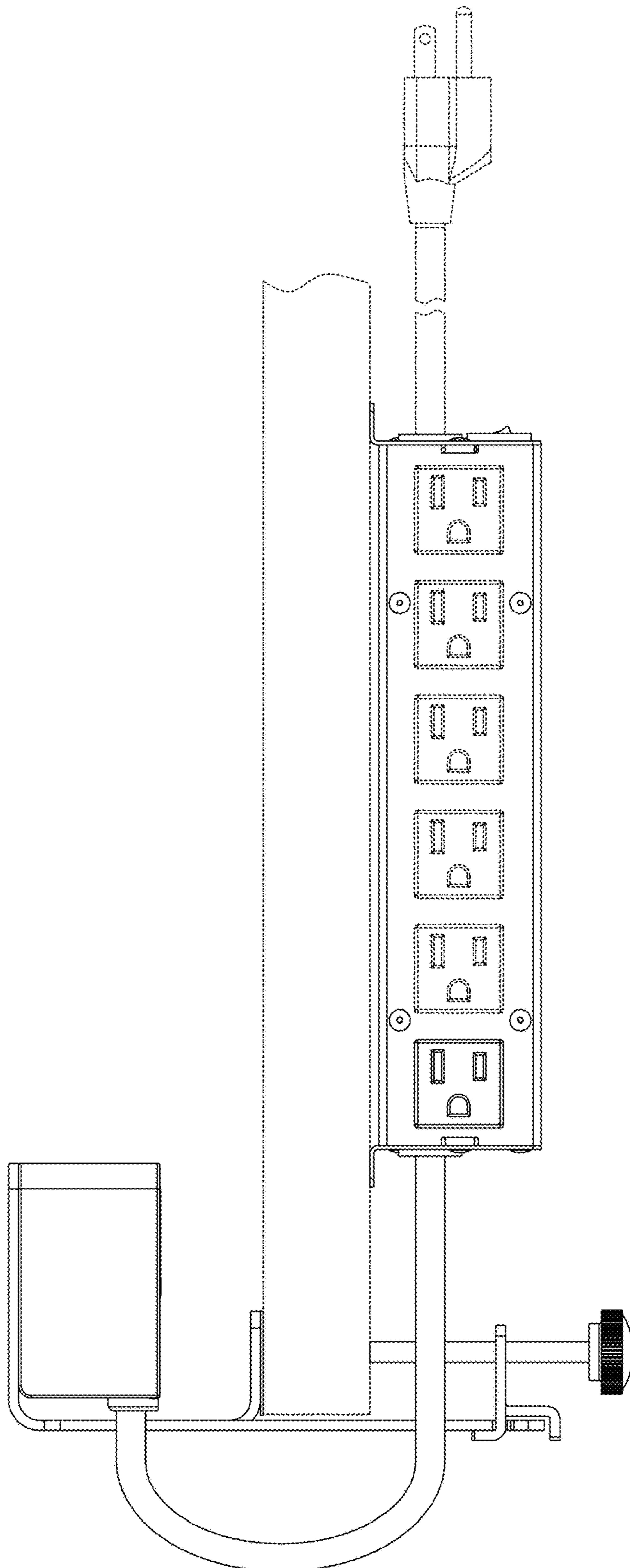


FIG. 2

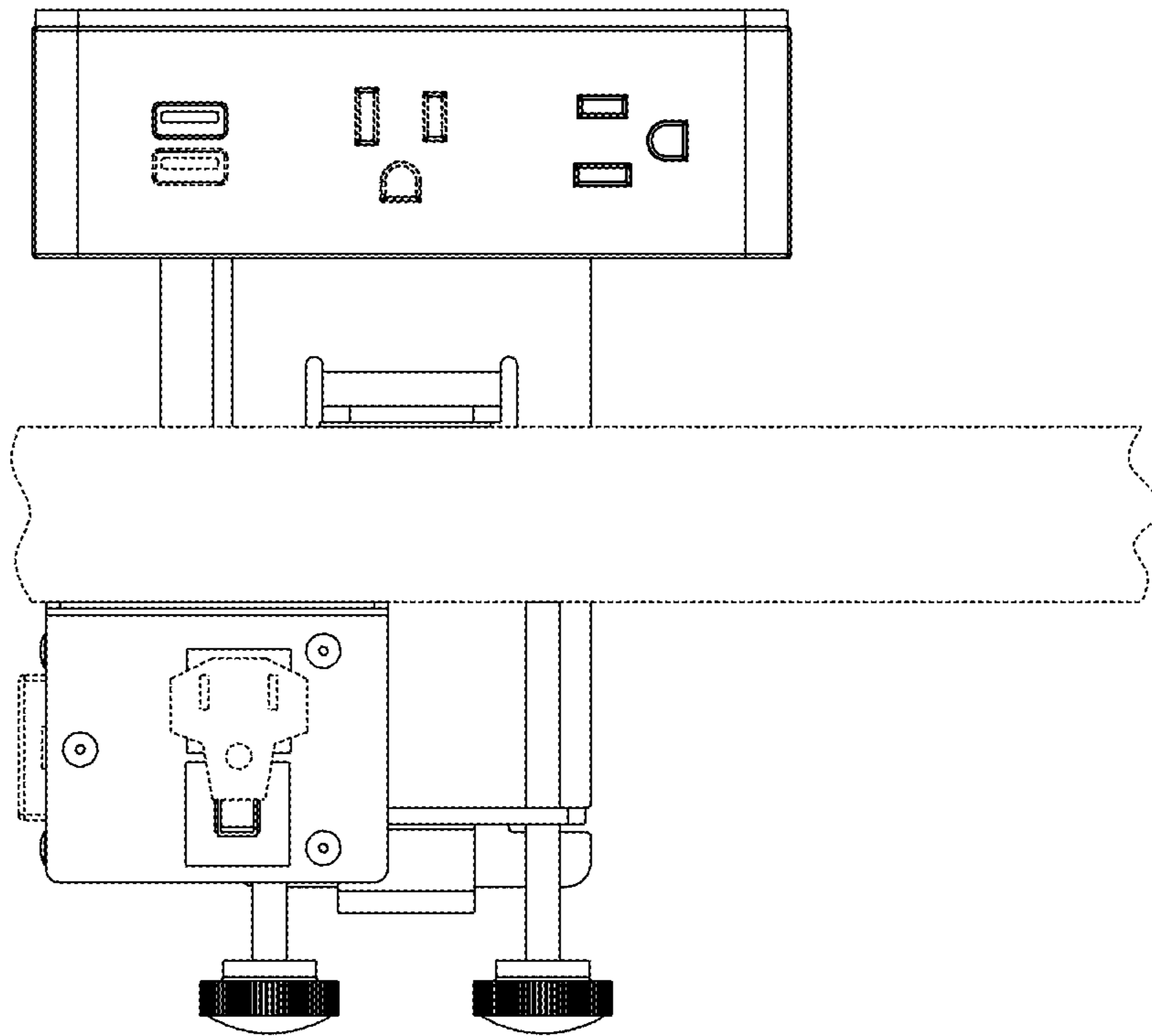


FIG. 3

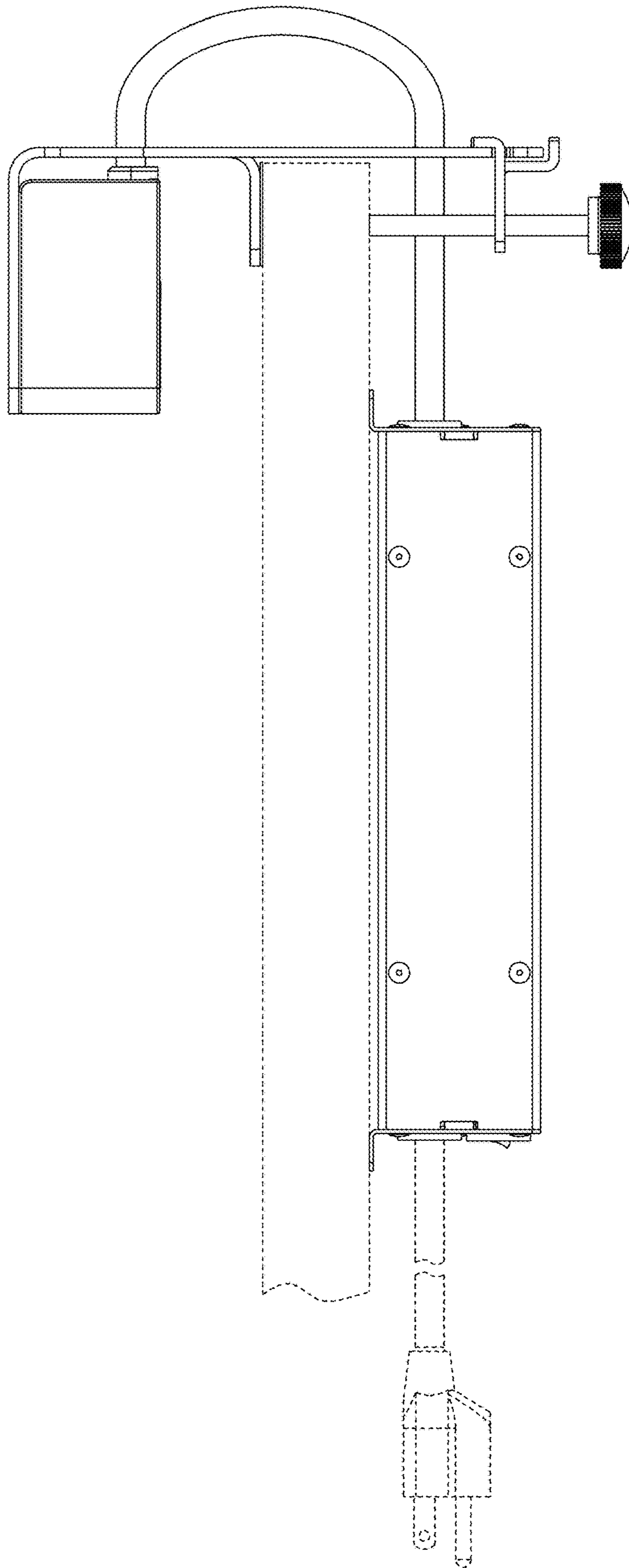


FIG. 4

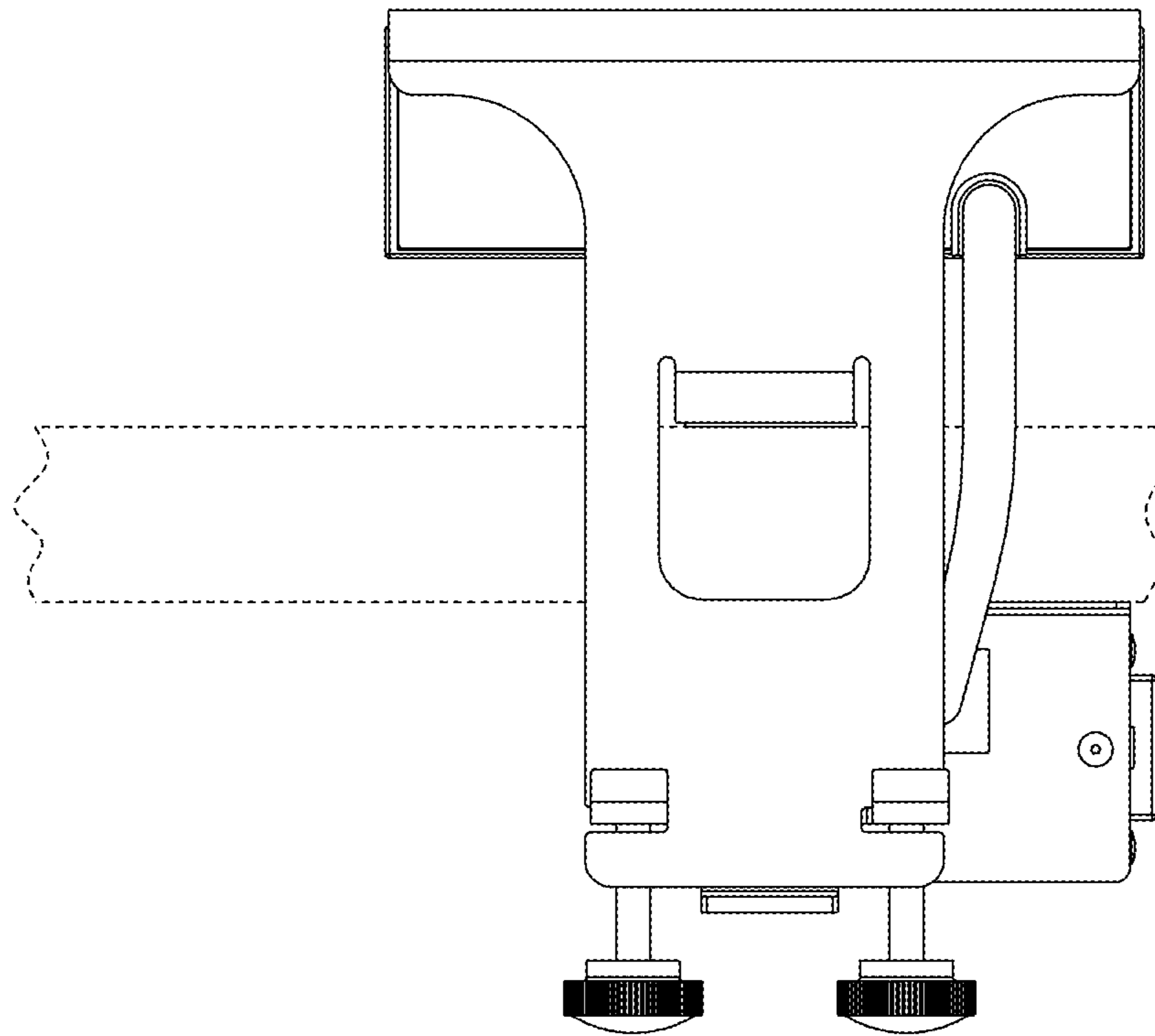


FIG. 5

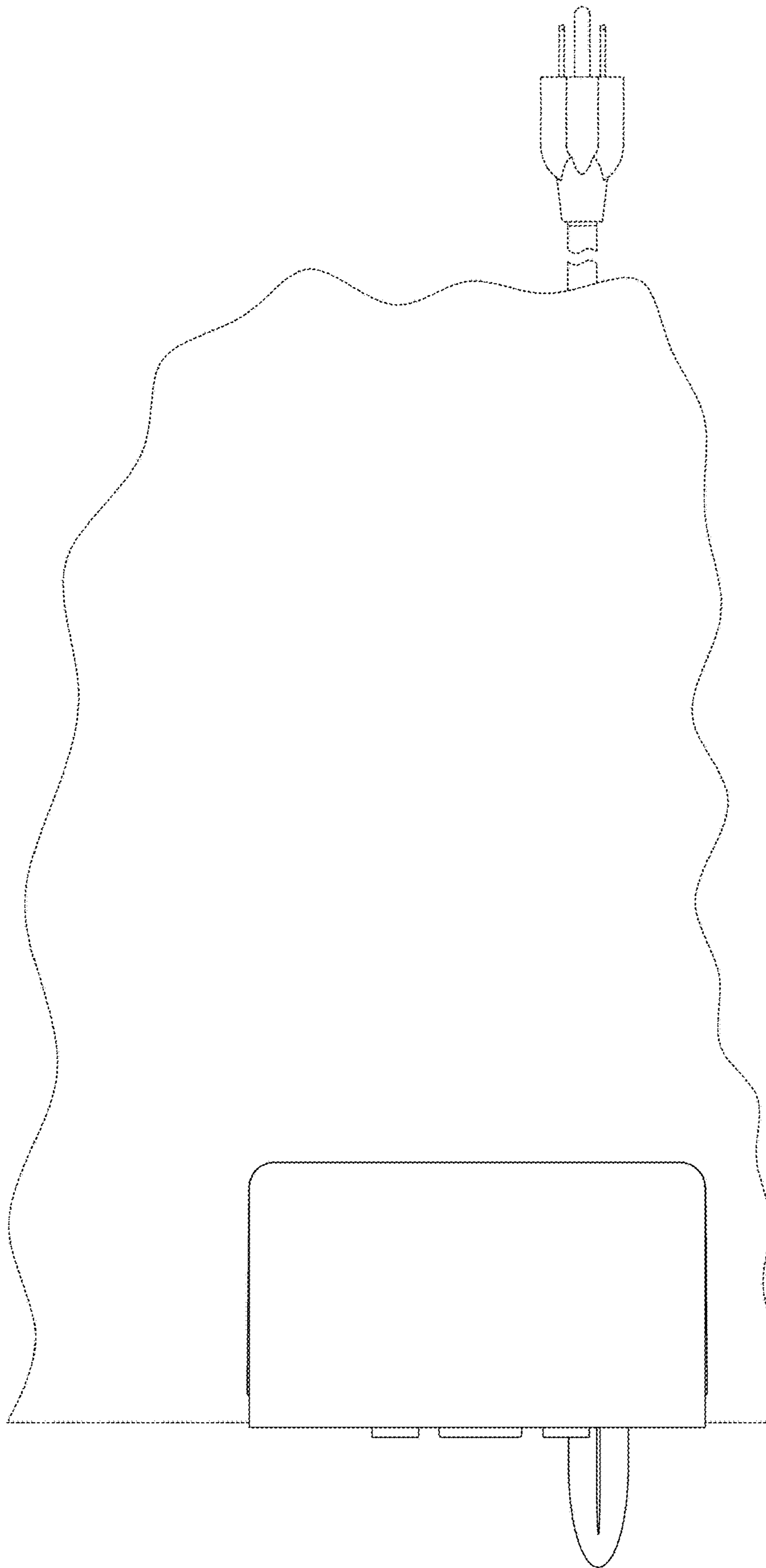


FIG. 6



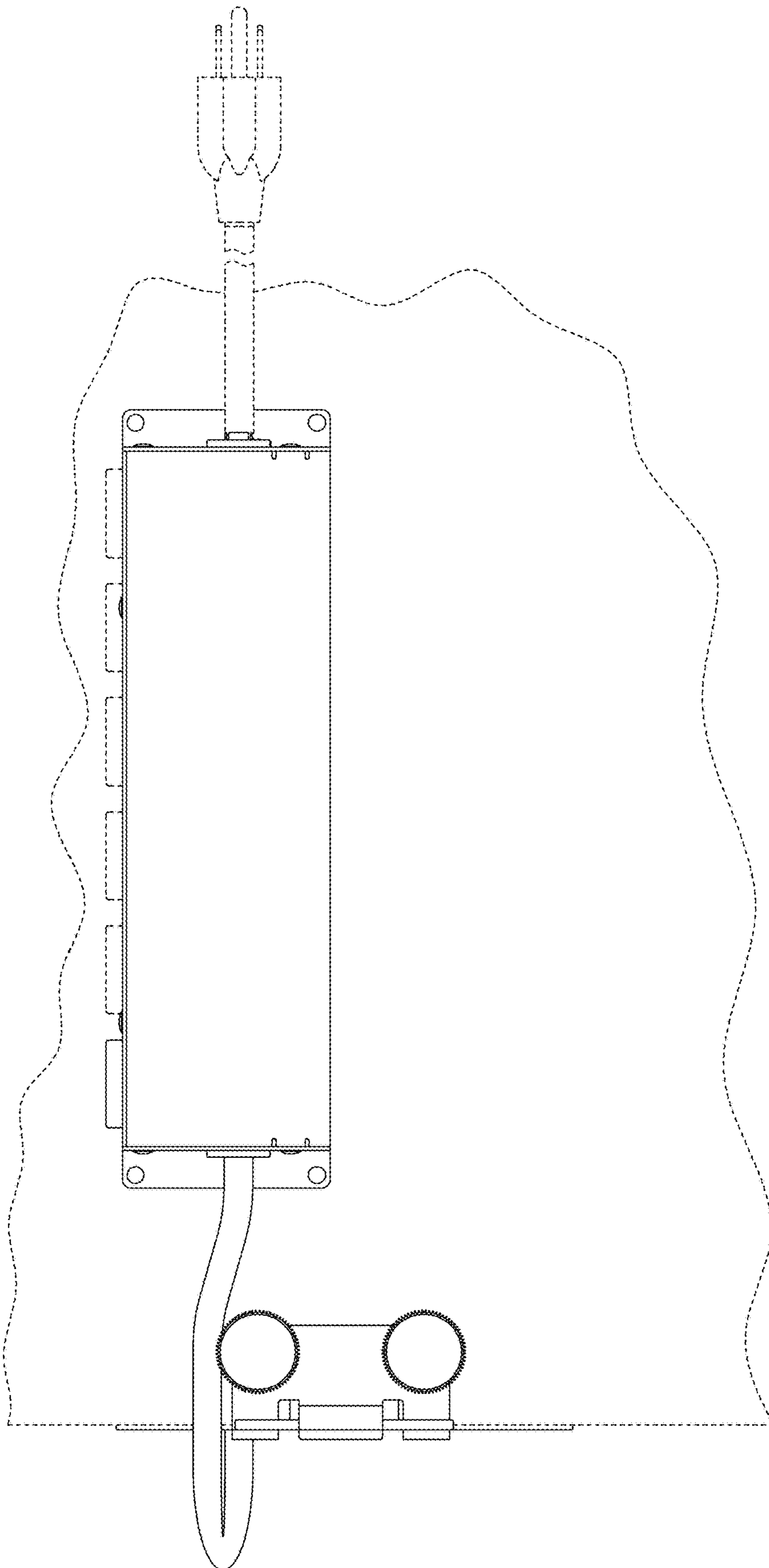


FIG. 7