



(12) **United States Design Patent** (10) **Patent No.:** **US D933,610 S**
Hunter-Jones et al. (45) **Date of Patent:** **** Oct. 19, 2021**

(54) **CHARGER**

(71) Applicant: **Sonos, Inc.**, Santa Barbara, CA (US)

(72) Inventors: **Bridget Hunter-Jones**, Boston, MA (US); **Jonathan S. Cotter**, Santa Barbara, CA (US); **Chadwick James Souza**, Providence, RI (US); **Matthew Malone**, Los Angeles, CA (US)

(73) Assignee: **Sonos, Inc.**, Santa Barbara, CA (US)

(**) Term: **15 Years**

(21) Appl. No.: **29/716,644**

(22) Filed: **Dec. 11, 2019**

(51) **LOC (13) Cl.** **13-03**

(52) **U.S. Cl.**
 USPC **D13/137.4; D13/108**

(58) **Field of Classification Search**
 USPC D13/101, 103, 107, 108, 109, 110, 117, D13/118, 119, 120, 123, 133, 137.1, D13/137.2, 137.4, 138.1, 138.2, 139.7, D13/146, 153, 199; D14/137, 230, 233, D14/234, 432, 433; D16/242, 243
 CPC H01R 29/00; H01R 11/00; H01R 13/46
 See application file for complete search history.

(56) **References Cited**

U.S. PATENT DOCUMENTS

D416,869 S	*	11/1999	Tsai	D13/153
D615,929 S	*	5/2010	Maurer	D13/137.4
D694,706 S	*	12/2013	Kuo	D13/108
D731,979 S	*	6/2015	Edwards	D13/147
D752,521 S	*	3/2016	Place	D13/153
D791,076 S	*	7/2017	Kim	D13/108
D798,807 S	*	10/2017	Shi	D13/108
D872,696 S	*	1/2020	Yu	D13/137.4
D875,670 S	*	2/2020	Natsume	D13/108
D900,027 S	*	10/2020	Reilly	D13/108

2004/0259436 A1* 12/2004 Su H01R 29/00
 439/894
 2016/0330397 A1* 11/2016 Wengreen H04N 5/63
 2017/0222444 A1* 8/2017 Hijazi H02J 7/0068

OTHER PUBLICATIONS

“Short Power Cable For Sonos Play”. Found online Feb. 4, 2021 at crutchfield.com. Reference dated Oct. 29, 2017. Retrieved from https://www.crutchfield.com/S-X5POjnBb3U1/p_870SPCW/Short-Power-Cable-For-Sonos-Play-1-and-Sonos-One-White.html. (Year: 2017).*

“Twin Extension Cord Power Strip”. Found online Jan. 15, 2021 at amazon.com. Reference dated 26/19/2019. Retrieved from <https://www.amazon.com/Twin-Extension-Cord-Power-Strip/dp/B06XRFD9YK?th=1>. (Year: 2019).*

(Continued)

Primary Examiner — Kendra Leslie Hamilton
Assistant Examiner — Amanda Christensen
 (74) *Attorney, Agent, or Firm* — KPPB LLP

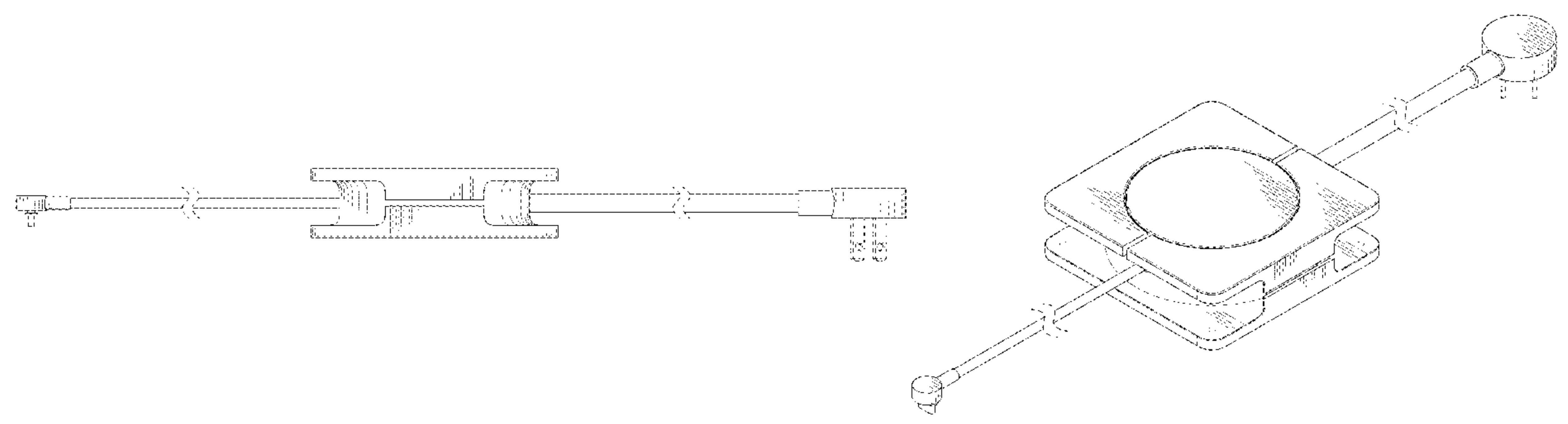
(57) **CLAIM**

The ornamental design for a charger, as shown and described.

DESCRIPTION

FIG. 1 is a top plan view of a charger, showing our new design.
 FIG. 2 is bottom plan view thereof.
 FIG. 3 is a front elevation view thereof.
 FIG. 4 is a rear elevation view thereof.
 FIG. 5 is a right side view thereof.
 FIG. 6 is a left side view thereof; and,
 FIG. 7 is a top, front, right side perspective view thereof.
 The features shown in broken lines do not form part of the claimed design. The charger is shown with symbolic breaks in its length. The appearance of any portion of the article between the break lines forms no part of the claimed design.

1 Claim, 5 Drawing Sheets



(56)

References Cited

OTHER PUBLICATIONS

“DigiOz Blog MacBook Air”. Found online Feb. 4, 2021 at digioz.blogspot.com. Reference dated Aug. 9, 2012. Retrieved from <http://digioz.blogspot.com/2012/08/macbook-air-whats-big-power-cord-for.html>. (Year: 2012).*

* cited by examiner

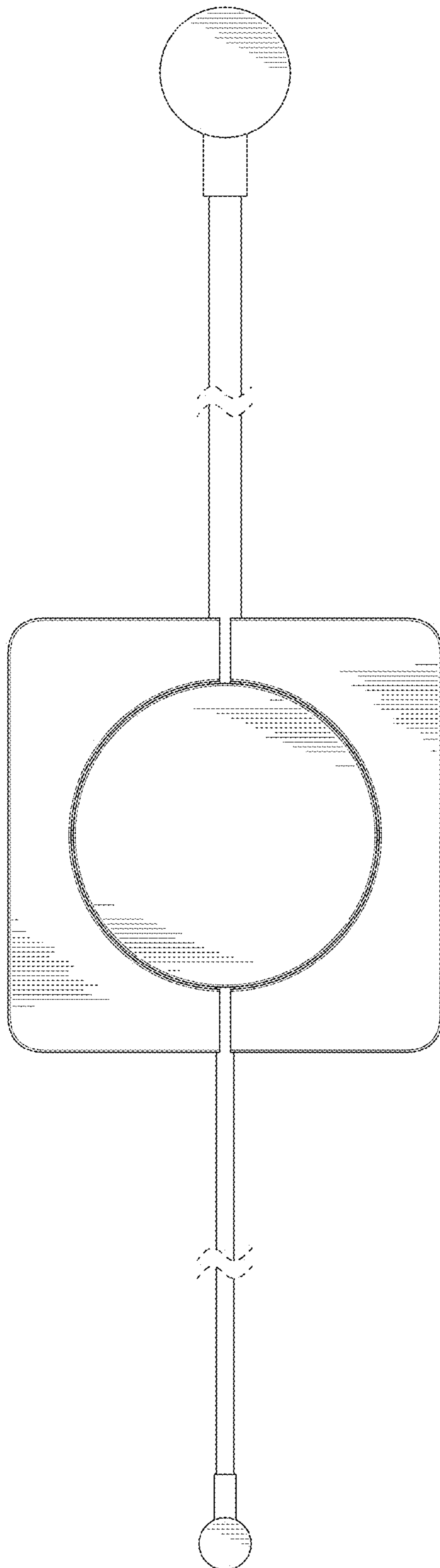


Fig. 1

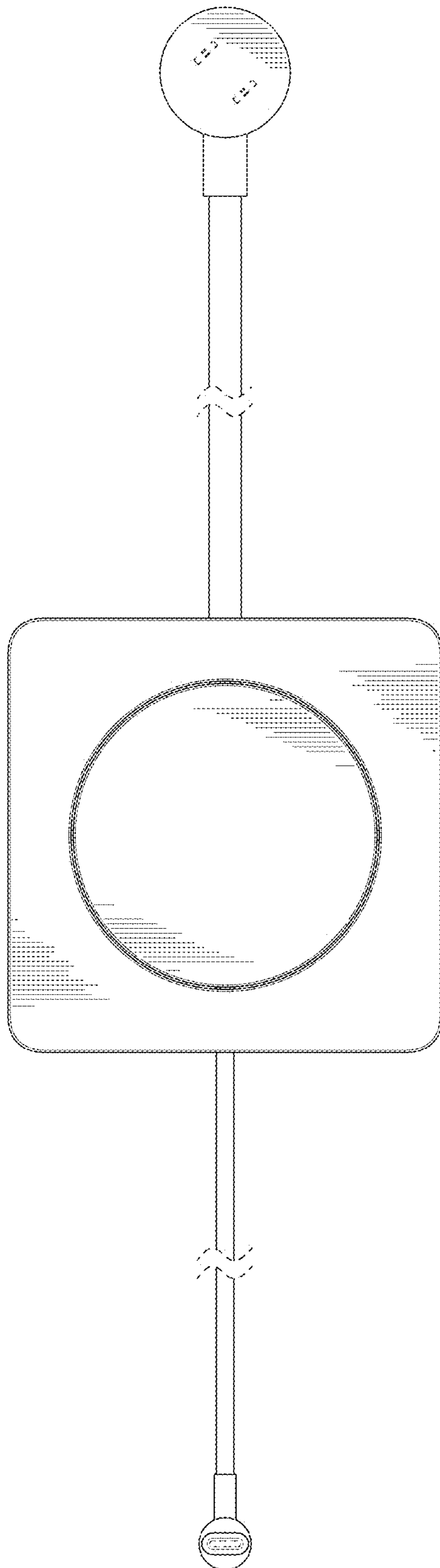


Fig. 2

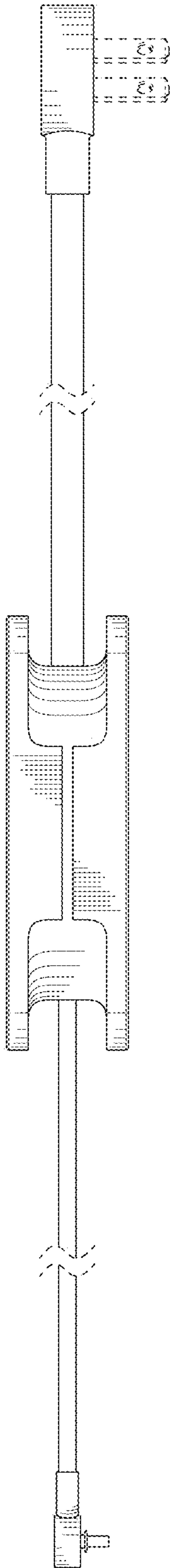


Fig. 3

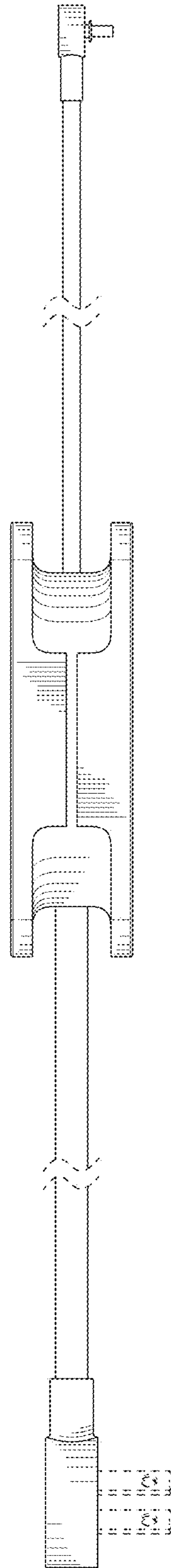


Fig. 4

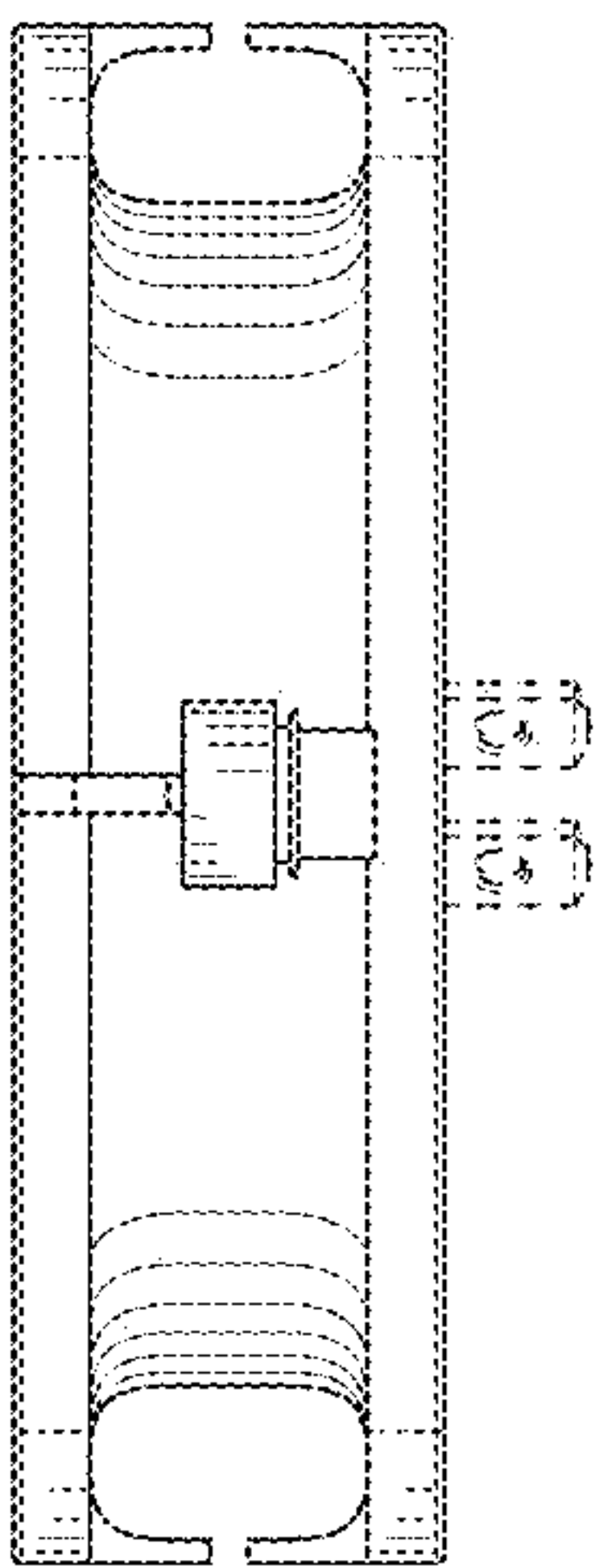


Fig. 5

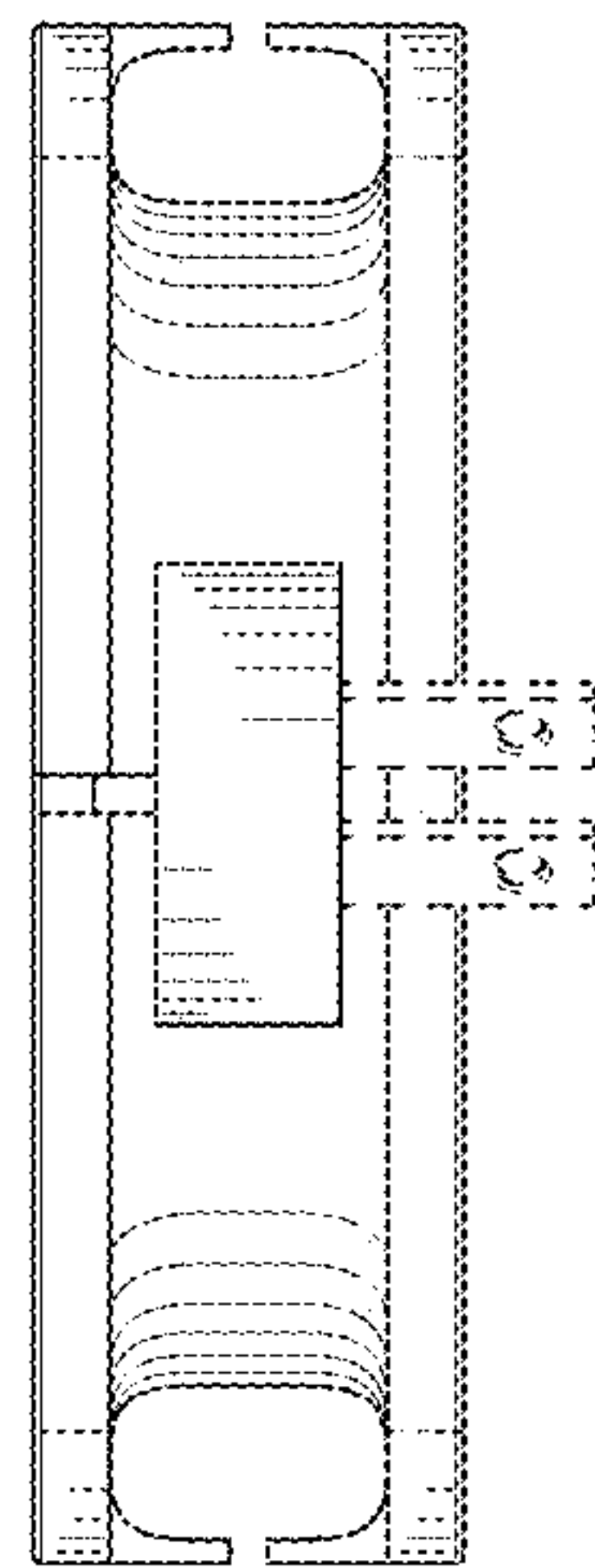


Fig. 6

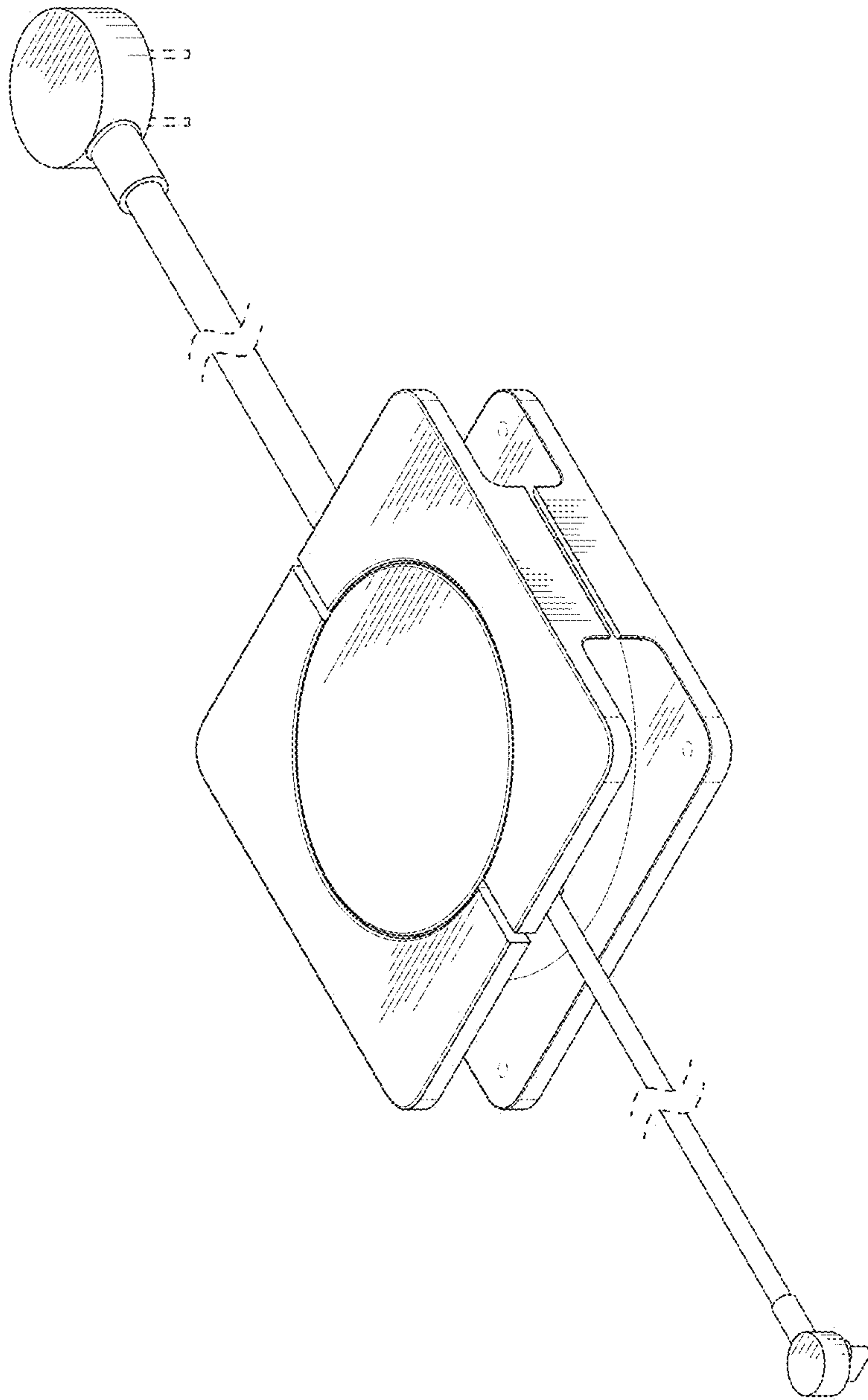


Fig. 7