



US00D933609S

(12) **United States Design Patent**  
**Obata et al.**

(10) **Patent No.:** **US D933,609 S**

(45) **Date of Patent:** **\*\* Oct. 19, 2021**

(54) **CONNECTOR**

(71) Applicant: **Japan Aviation Electronics Industry, Limited**, Tokyo (JP)

(72) Inventors: **Yusuke Obata**, Tokyo (JP); **Yukuya Morishita**, Tokyo (JP)

(73) Assignee: **JAPAN AVIATION ELECTRONICS INDUSTRY, LIMITED**, Tokyo (JP)

(\*\*) Term: **15 Years**

(21) Appl. No.: **29/726,728**

(22) Filed: **Mar. 5, 2020**

(30) **Foreign Application Priority Data**

Sep. 18, 2019 (JP) ..... 2019-020848

(51) **LOC (13) Cl.** ..... **13-03**

(52) **U.S. Cl.**  
USPC ..... **D13/133**

(58) **Field of Classification Search**  
USPC ..... D13/120, 121, 133, 146, 147, 153, 199,  
D13/154, 156, 184; D14/432, 433, 434,  
D14/435.1, 438

CPC .. H01R 13/506; H01R 13/516; H01R 13/518;  
H01R 13/58; H01R 13/627; H01R  
13/6315; H01R 13/00; H01R 13/24;  
H01R 13/26; H01R 13/28; H01R 13/508;  
H01R 13/523; H01R 13/585; H01R  
13/6271; H01R 13/6275; H01R 13/635;  
H01R 13/639; H01R 13/64; H01R  
13/642; H01R 13/6453; H01R 13/6474;  
H01R 13/6581; H01R 13/6582; H01R  
13/6586; H01R 13/6587; H01R 13/6588;  
H01R 13/659; H01R 13/6591; H01R  
13/6594; H01R

(Continued)

(56) **References Cited**

**U.S. PATENT DOCUMENTS**

D308,512 S \* 6/1990 Endo ..... D13/133  
5,002,504 A \* 3/1991 Carlson ..... H01R 13/506  
439/595

(Continued)

*Primary Examiner* — Rosemary K Tarcza

*Assistant Examiner* — Seth David Kumpf

(74) *Attorney, Agent, or Firm* — Manabu Kanesaka

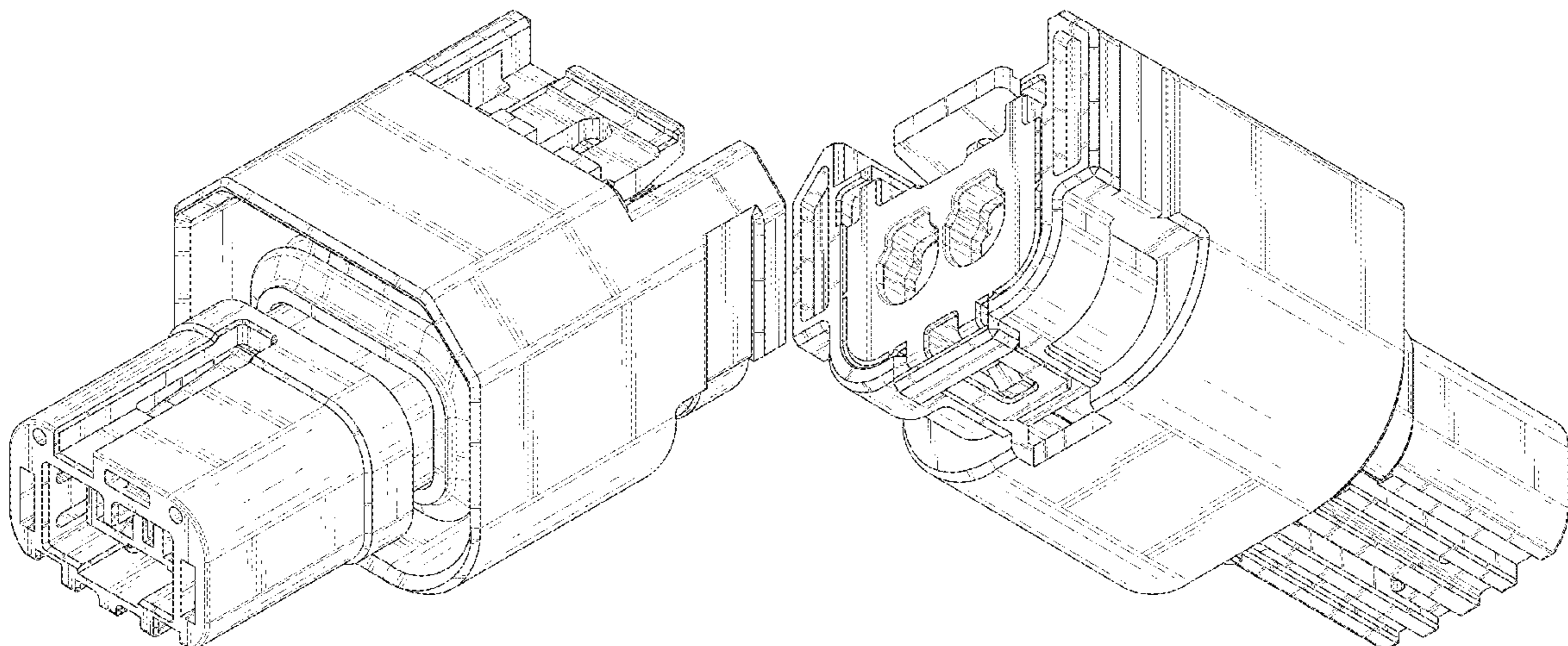
(57) **CLAIM**

The ornamental design for a connector, as shown and described.

**DESCRIPTION**

FIG. 1 is a front elevational view of a connector showing our new design;  
FIG. 2 is a rear elevational view thereof;  
FIG. 3 is a right side elevational view thereof;  
FIG. 4 is a left side elevational view thereof;  
FIG. 5 is a top plan view thereof;  
FIG. 6 is a bottom plan view thereof;  
FIG. 7 is a perspective view showing a front, top and right side thereof;  
FIG. 8 is a perspective view showing a rear, bottom and left side thereof;  
FIG. 9 is a perspective view showing a front, right and bottom side thereof;  
FIG. 10 is a perspective view showing a rear, left and top side thereof;  
FIG. 11 is a perspective view showing a front, top and right side thereof shown in an alternate position;  
FIG. 12 is a perspective view showing a rear, bottom and left side thereof shown in an alternate position;  
FIG. 13 is a perspective view showing a front, right and bottom side thereof shown in an alternate position; and,  
FIG. 14 is a perspective view showing a rear, left and top side thereof shown in an alternate position.  
The broken line showing of the connector is for the purpose of illustrating portions of the article that form no part of the claimed design.

**1 Claim, 14 Drawing Sheets**



(58) **Field of Classification Search**

CPC ..... 13/6595; H01R 13/6597; H01R 13/66;  
 H01R 13/6658; H01R 24/00; H01R  
 24/60; H01R 24/62; H01R 24/64; H01R  
 12/51; H01R 12/52; H01R 12/55; H01R  
 12/57; H01R 12/58; H01R 12/592; H01R  
 12/61; H01R 12/616; H01R 12/63; H01R  
 12/70; H01R 12/7005; H01R 12/7076;  
 H01R 12/71; H01R 12/714; H01R  
 12/716; H01R 12/718; H01R 12/72;  
 H01R 12/73; H01R 12/737; H01R  
 12/777; H01R 12/778; H01R 12/79

See application file for complete search history.

(56) **References Cited**

U.S. PATENT DOCUMENTS

D316,077 S \* 4/1991 Takenouchi ..... D13/133  
 D317,899 S \* 7/1991 Takenouchi ..... D13/133  
 D319,998 S \* 9/1991 Kozono ..... D13/133

D322,595 S \* 12/1991 Takenouchi ..... D13/146  
 D323,141 S \* 1/1992 Sueyoshi ..... D13/133  
 D323,142 S \* 1/1992 Nagasaka ..... D13/133  
 D324,027 S \* 2/1992 Sueyoshi ..... D13/133  
 D324,028 S \* 2/1992 Sueyoshi ..... D13/133  
 D324,510 S \* 3/1992 Sueyoshi ..... D13/133  
 D324,852 S \* 3/1992 Takenouchi ..... D13/133  
 D327,670 S \* 7/1992 Kozono ..... D13/133  
 5,127,848 A \* 7/1992 Taguchi ..... H01R 13/6272  
 439/188  
 D801,931 S \* 11/2017 Sasaki ..... D13/133  
 D801,932 S \* 11/2017 Sasaki ..... D13/133  
 D801,933 S \* 11/2017 Sasaki ..... D13/133  
 D801,934 S \* 11/2017 Sasaki ..... D13/133  
 D823,807 S \* 7/2018 Armacost ..... D13/146  
 D831,574 S \* 10/2018 Ramanna ..... D13/146  
 D843,940 S \* 3/2019 Sasaki ..... H01R 13/6272  
 D13/133  
 2015/0295357 A1 \* 10/2015 Campbell ..... H01R 13/6272  
 439/352  
 2017/0250498 A1 \* 8/2017 Hodge ..... H01R 13/639  
 2018/0351290 A1 \* 12/2018 Shi ..... H01R 13/42

\* cited by examiner

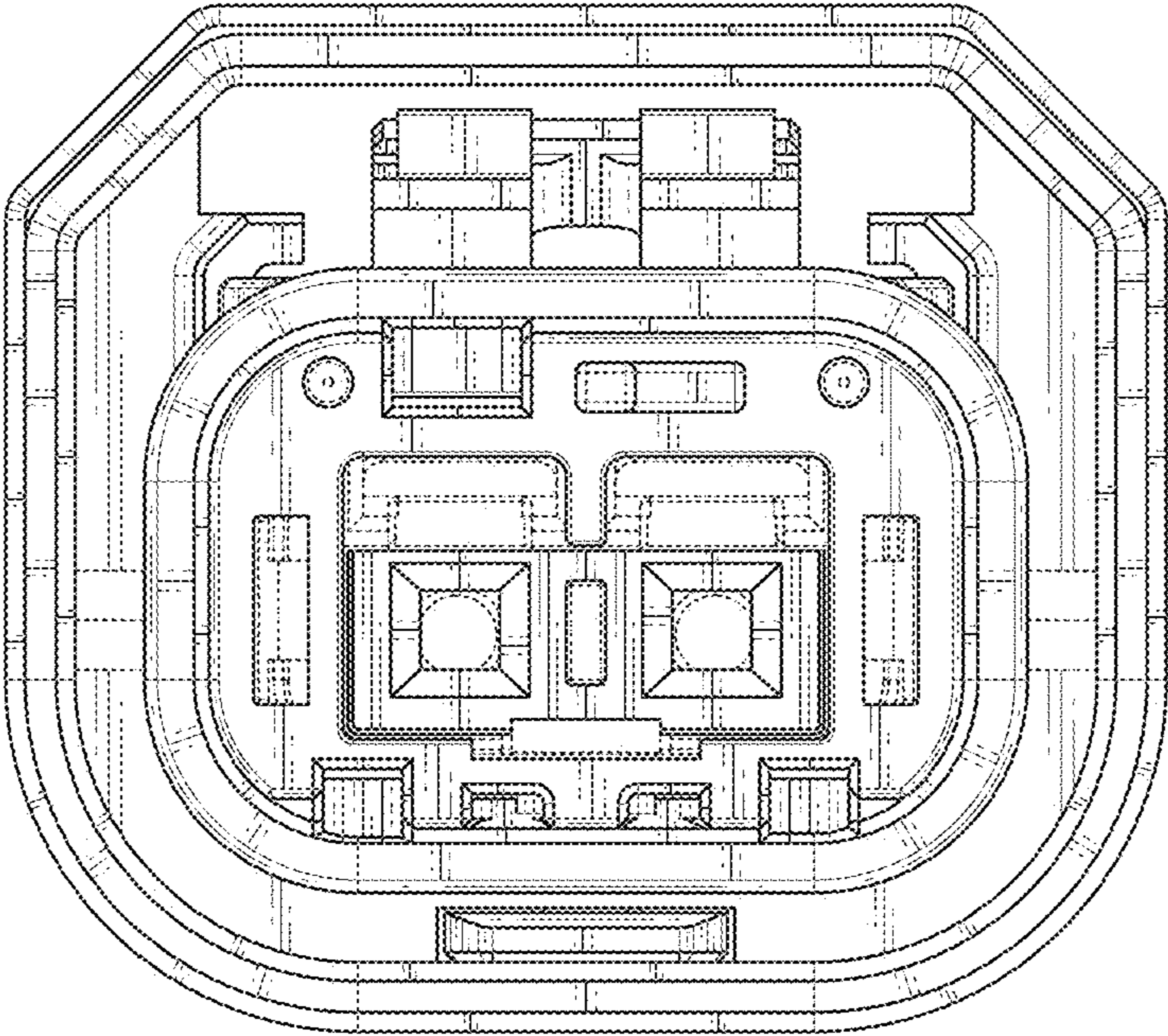


FIG. 1



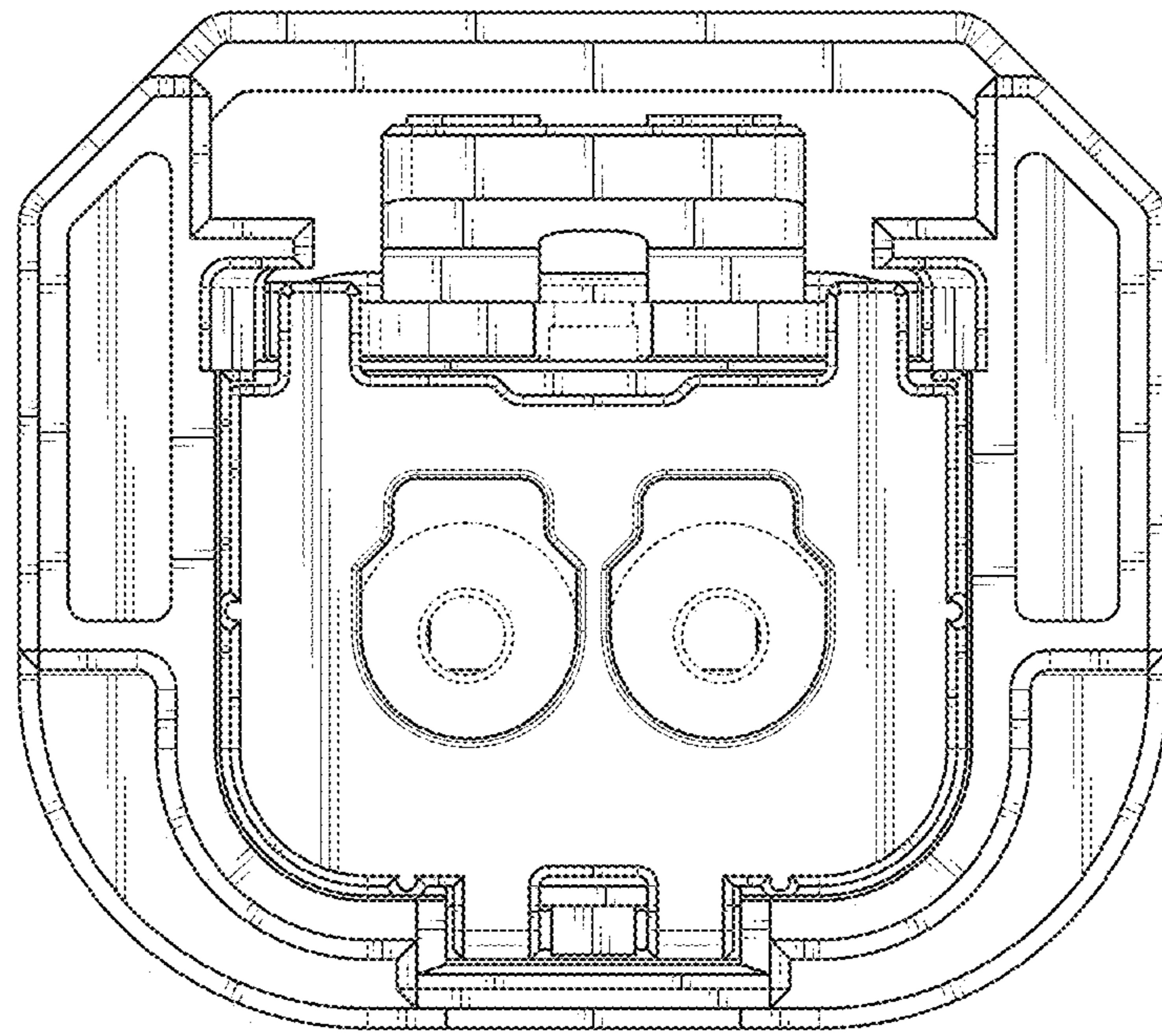


FIG. 2

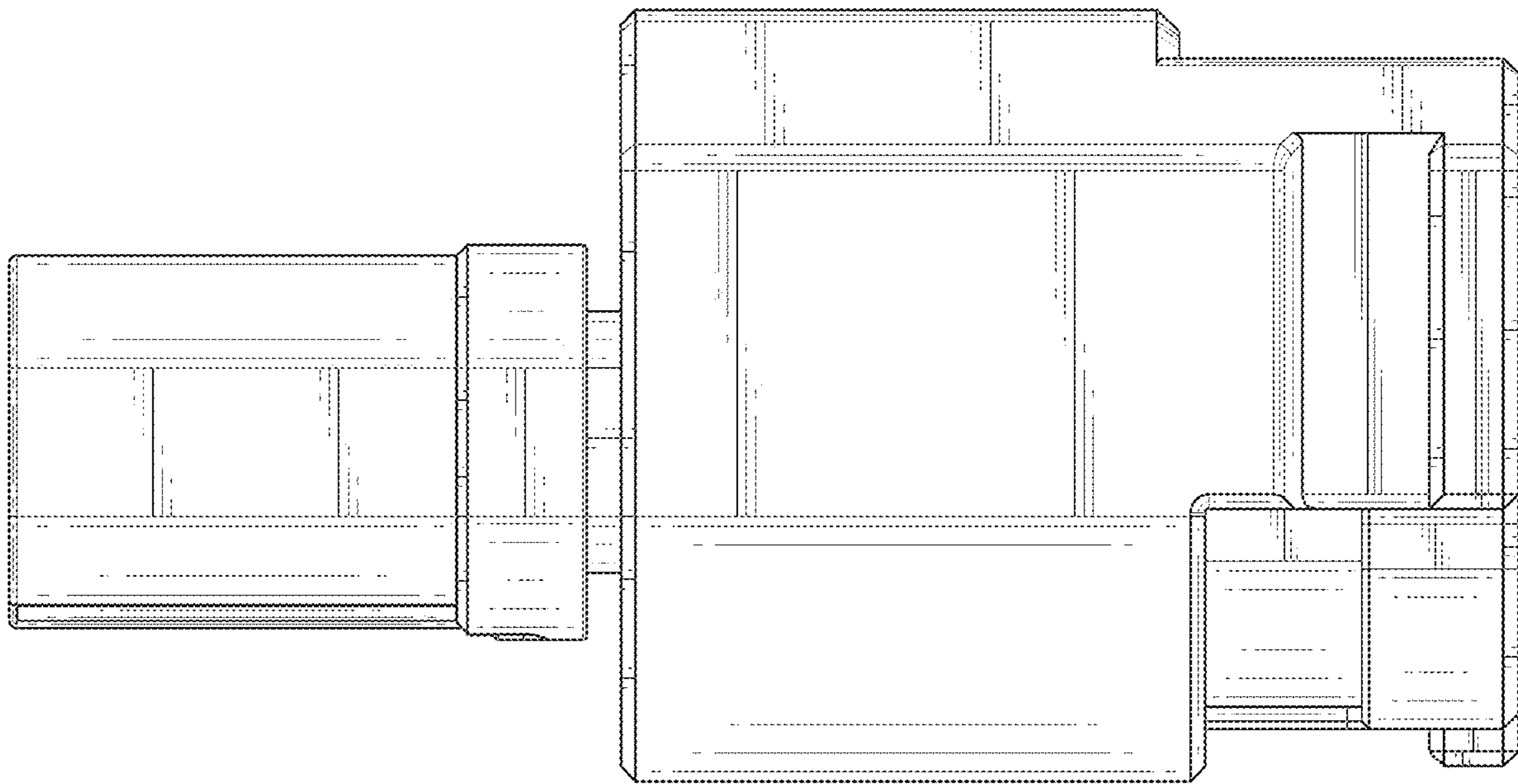


FIG. 3

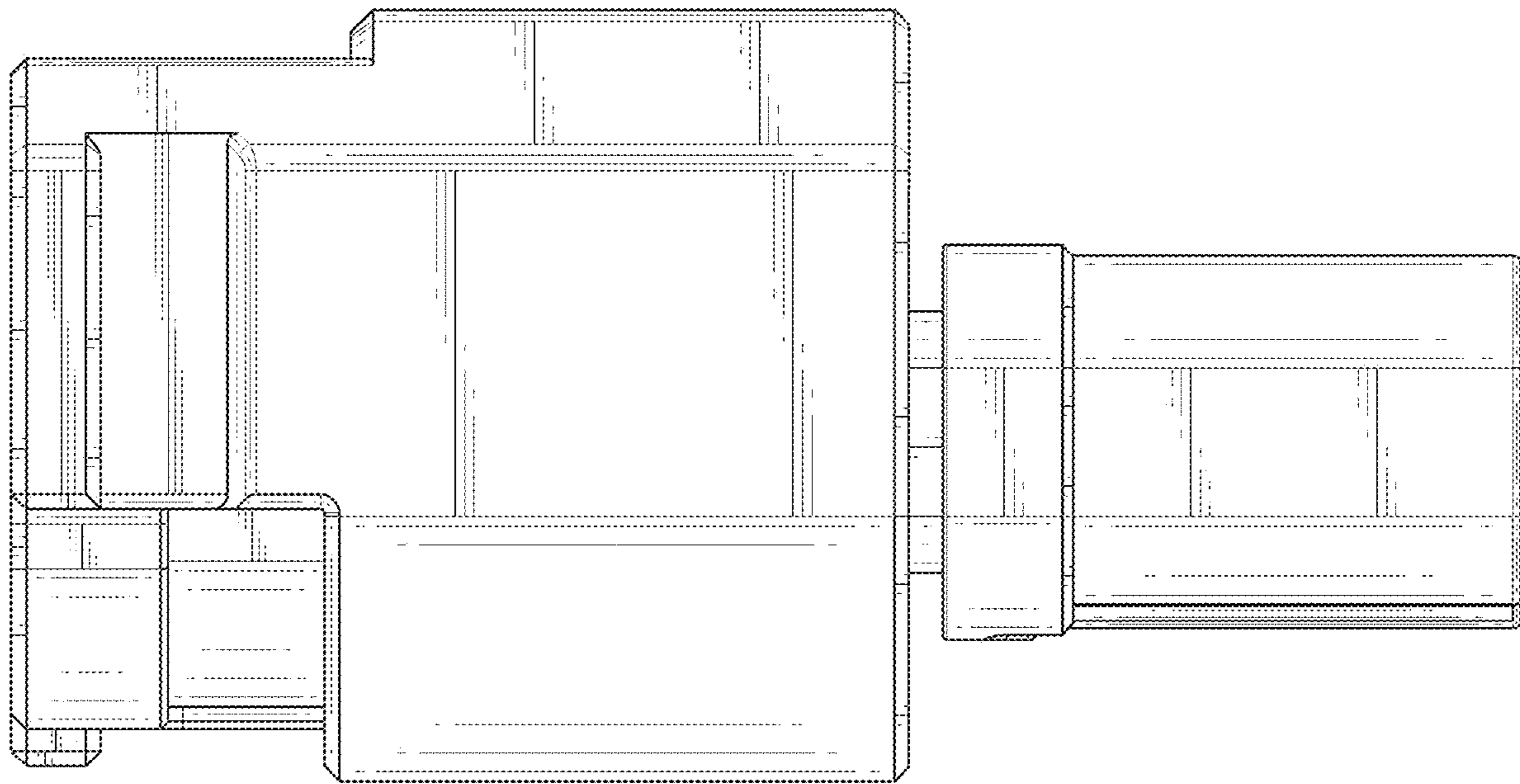


FIG. 4

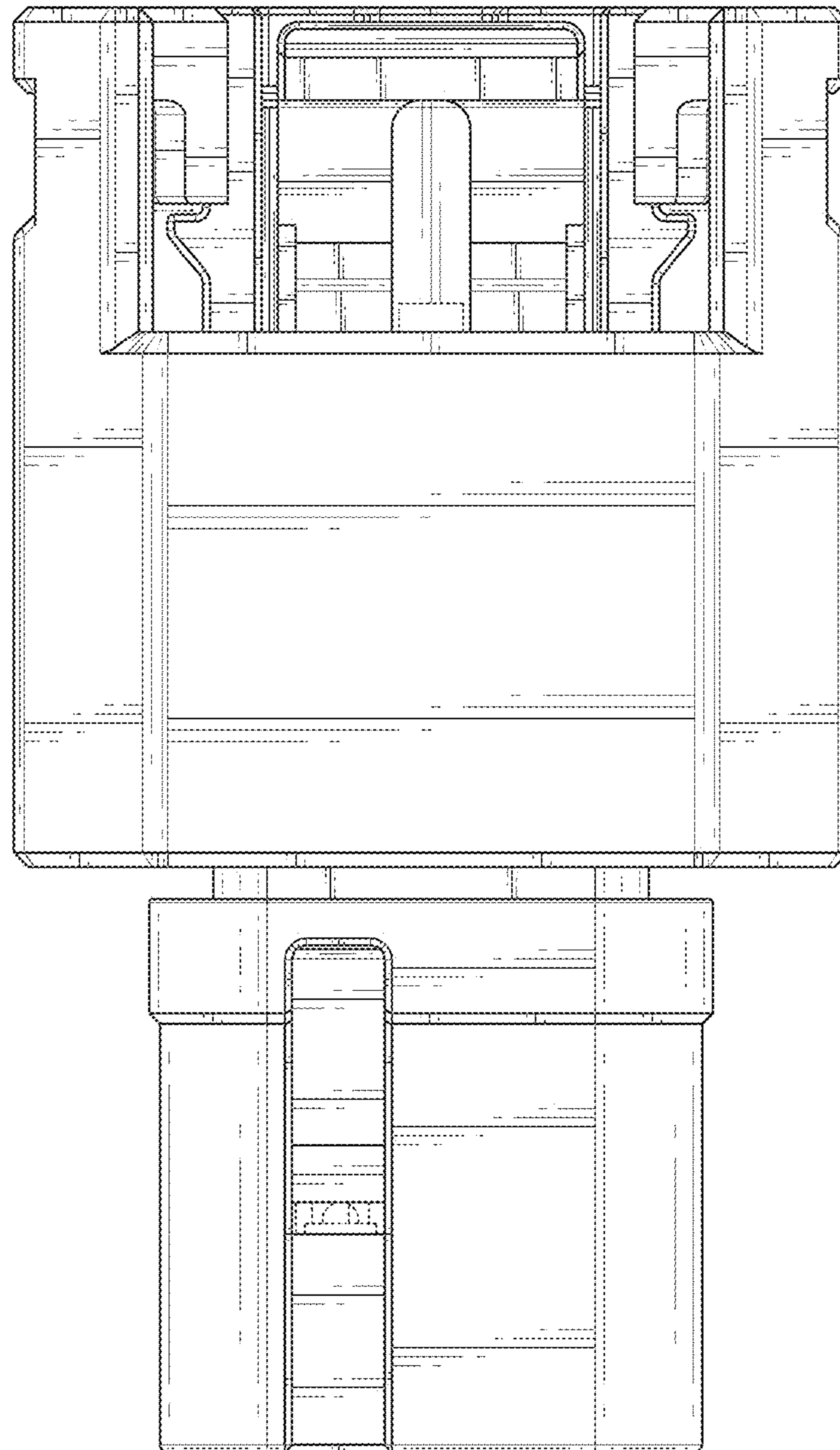


FIG. 5

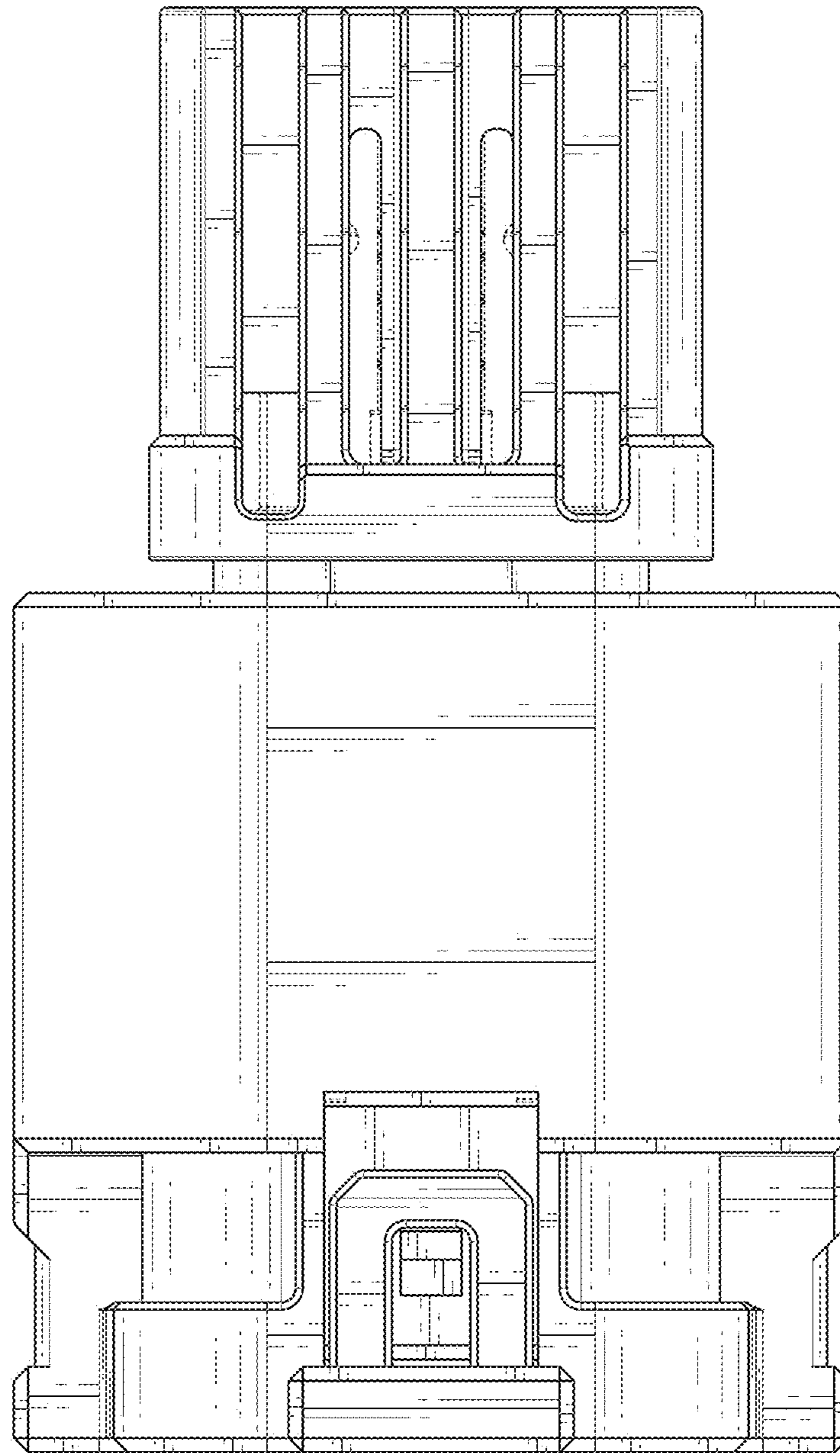


FIG. 6



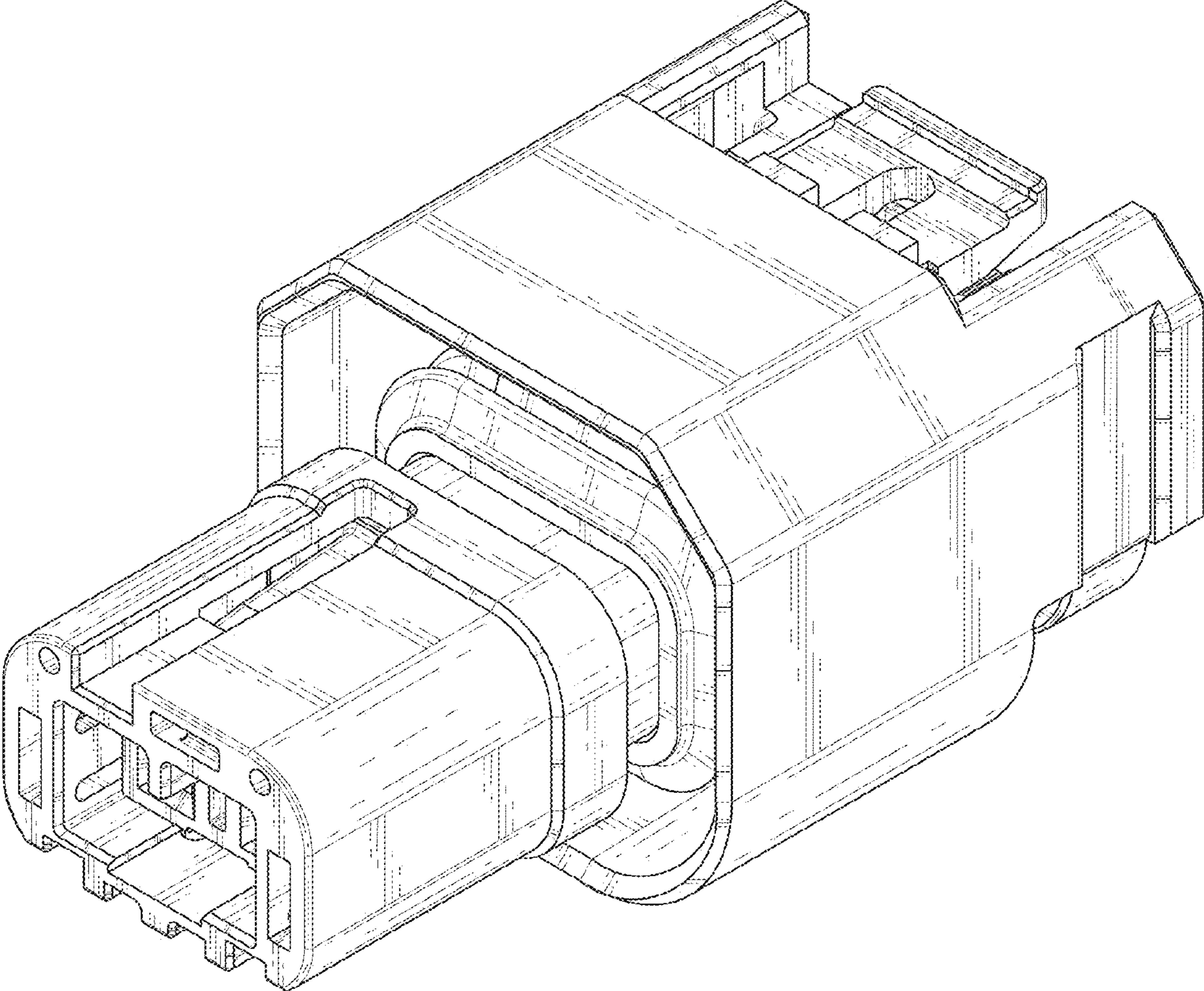


FIG. 7

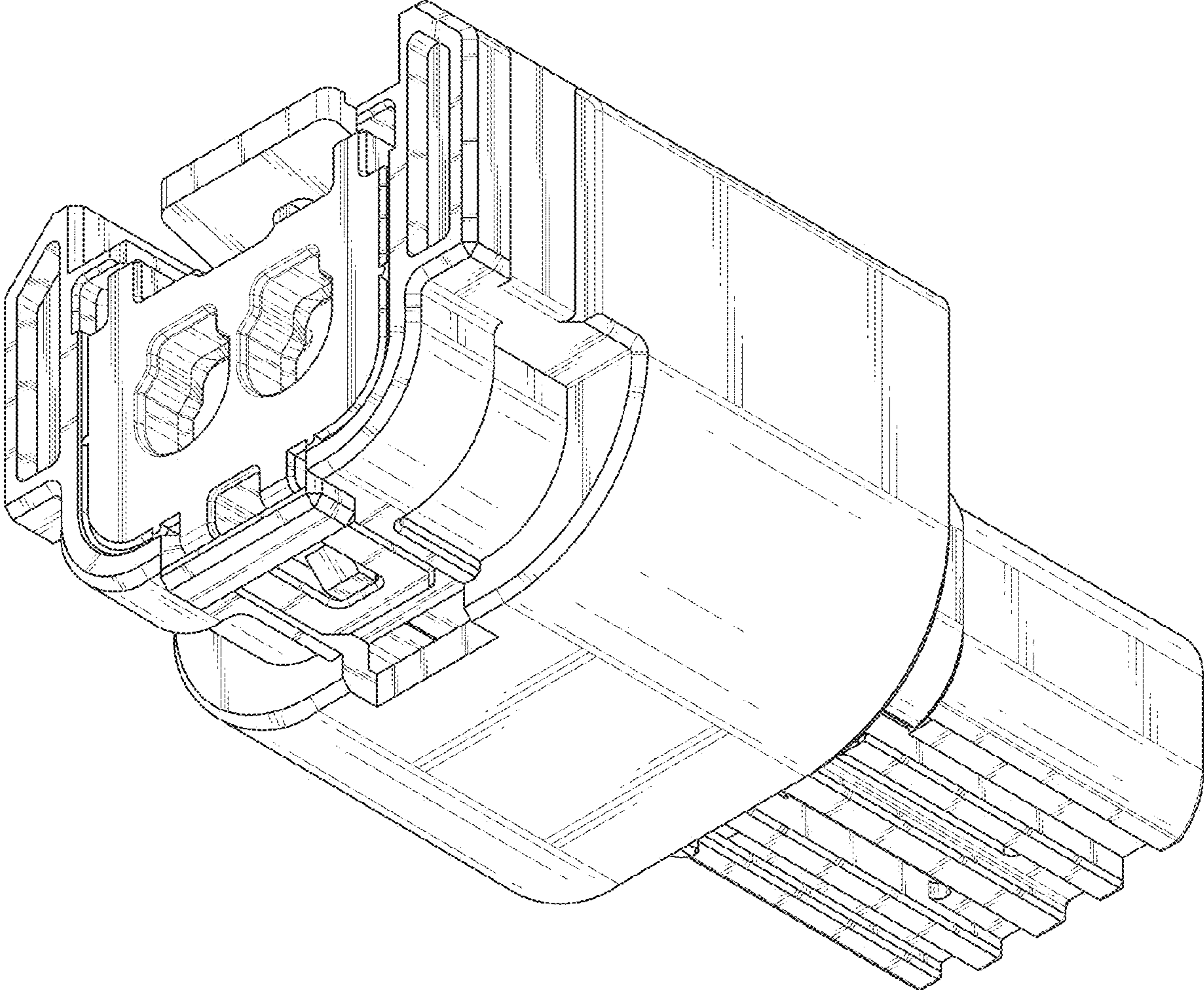


FIG. 8



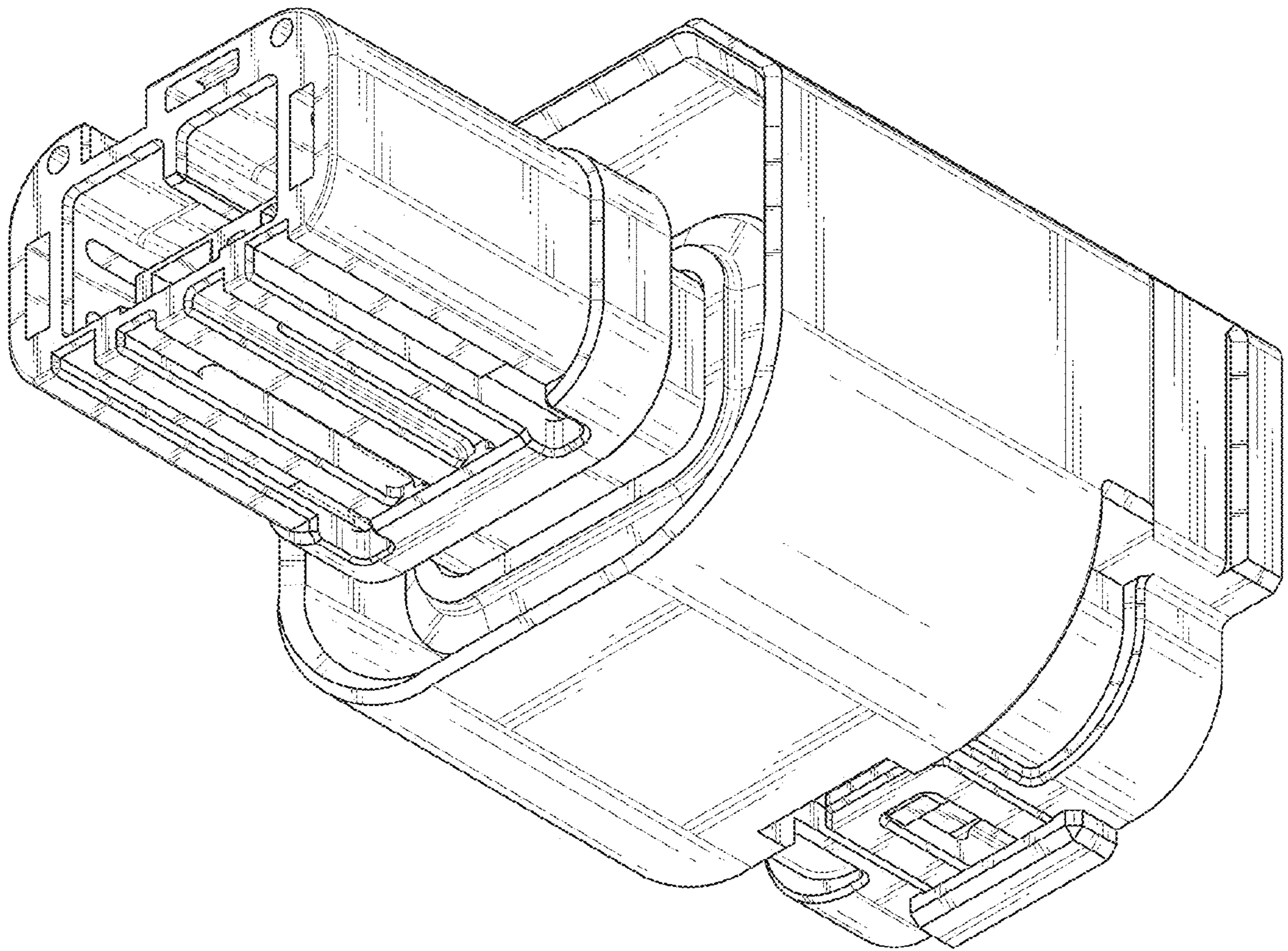


FIG. 9

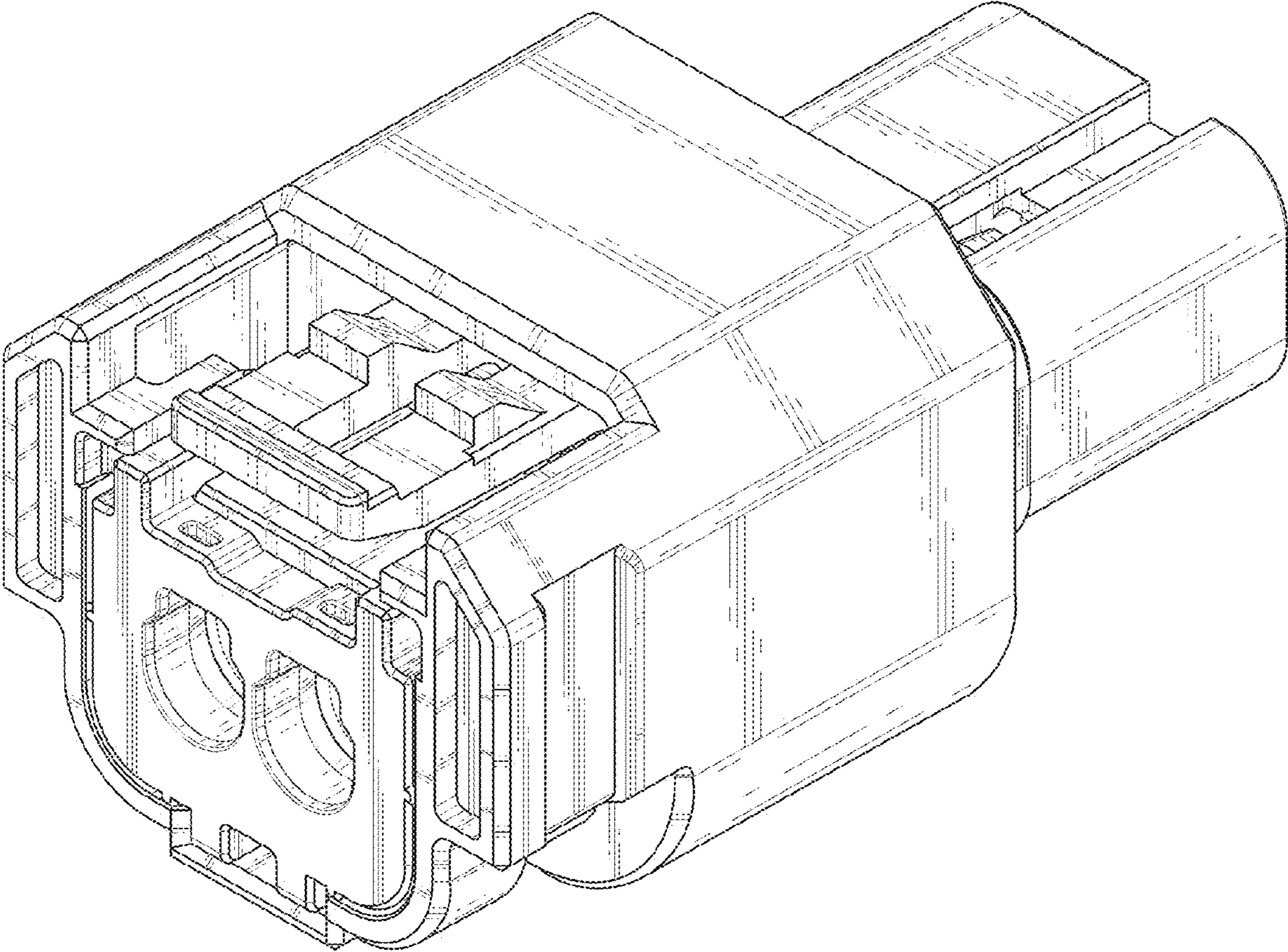


FIG. 10



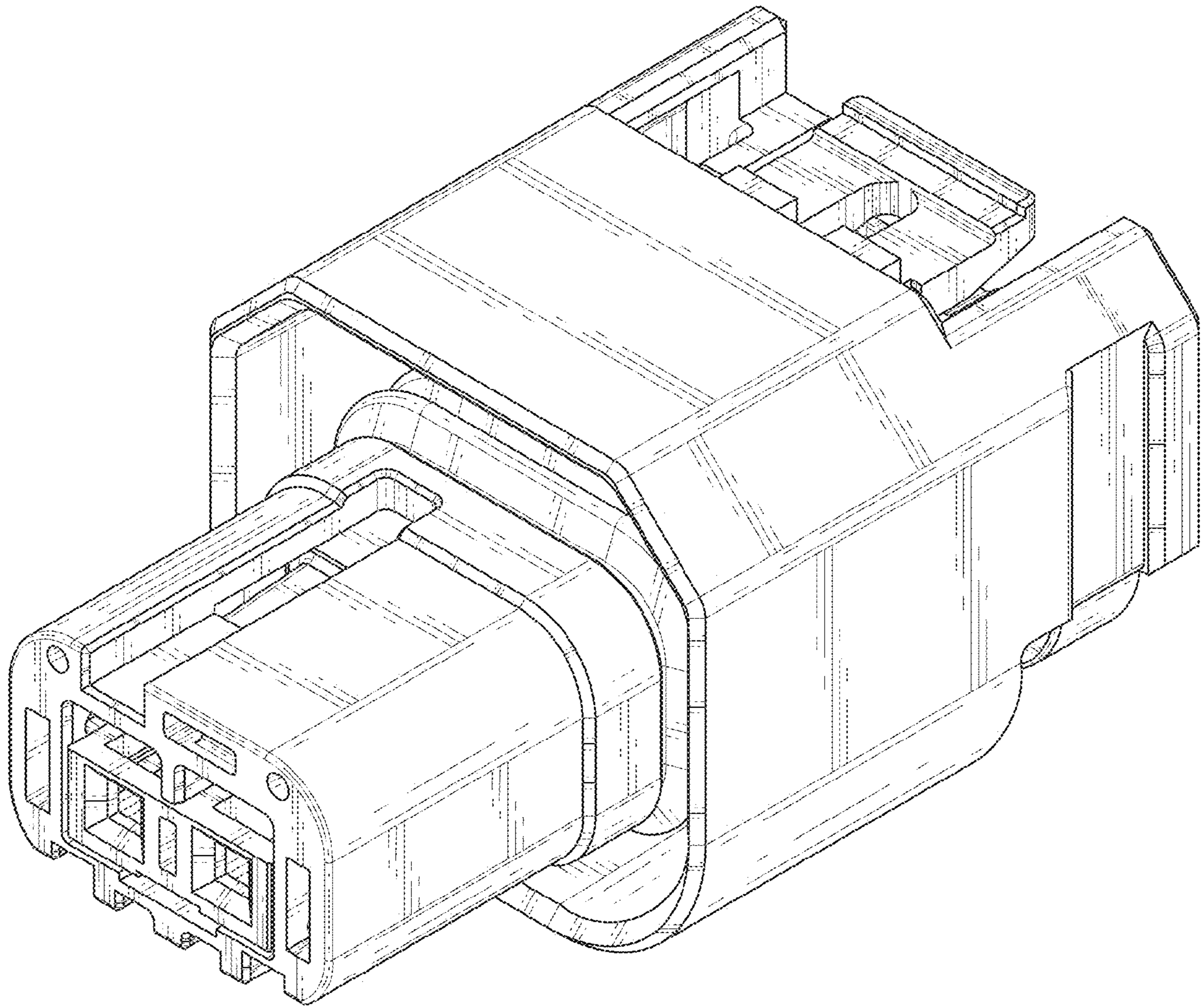


FIG. 11

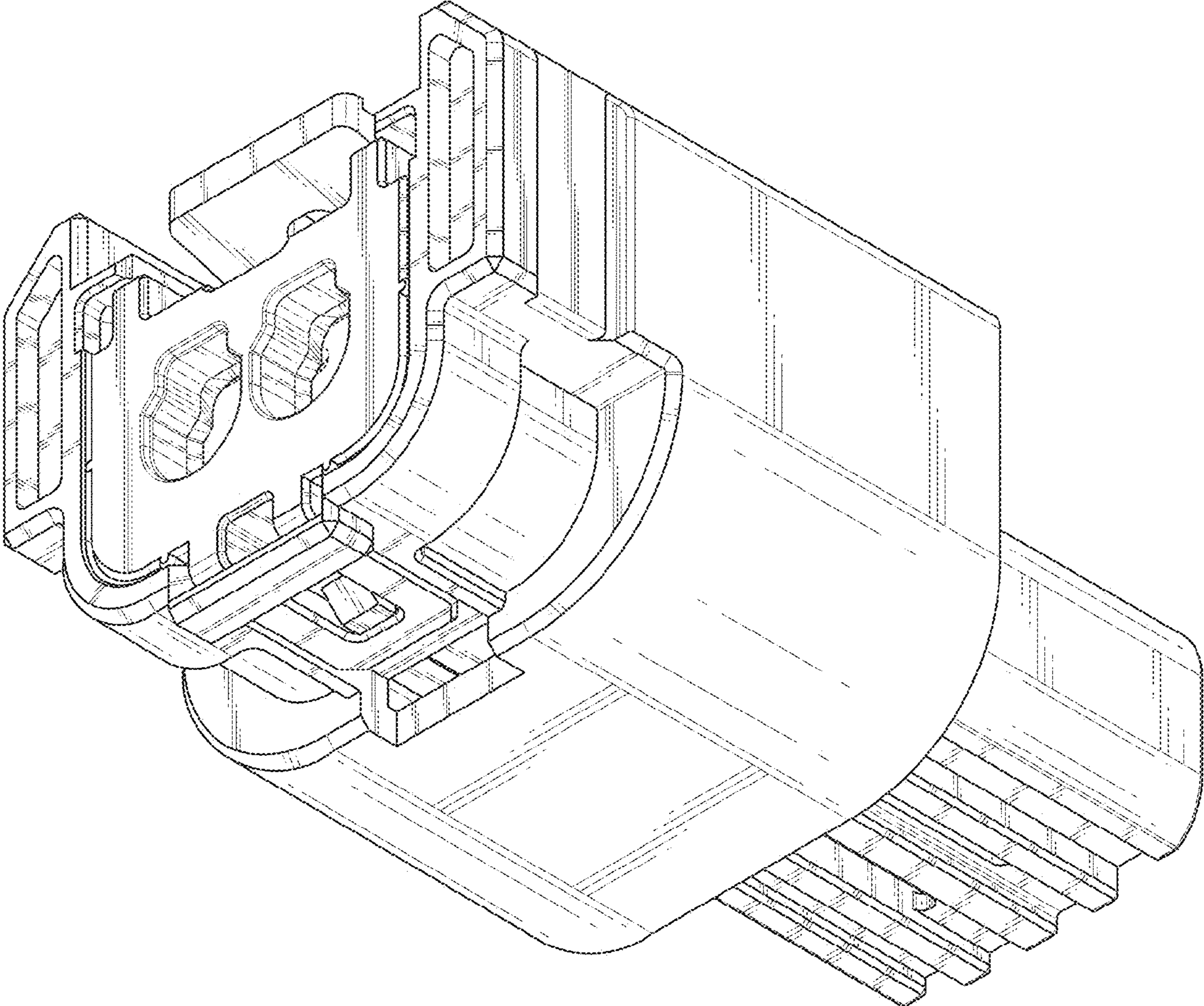


FIG. 12



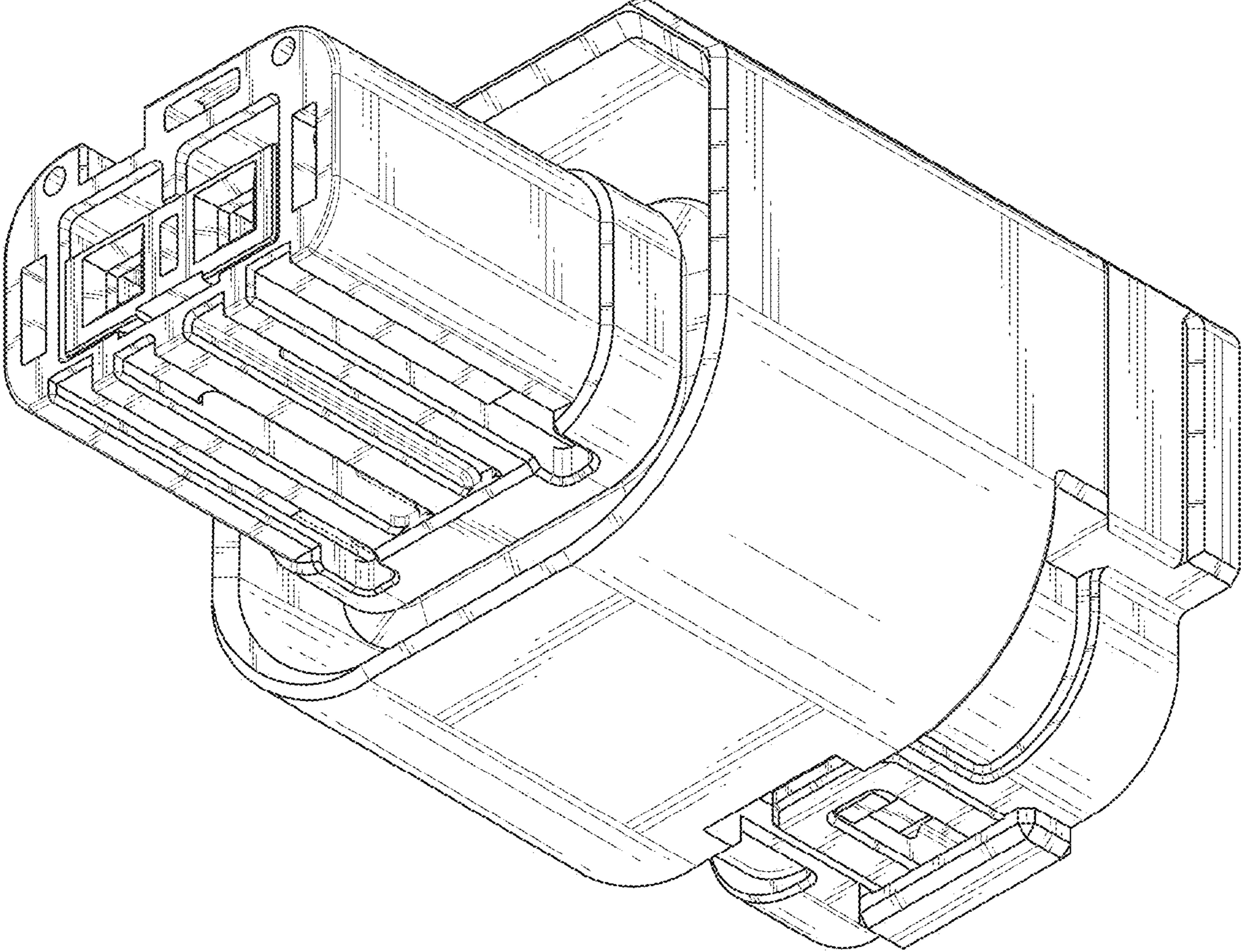


FIG.13

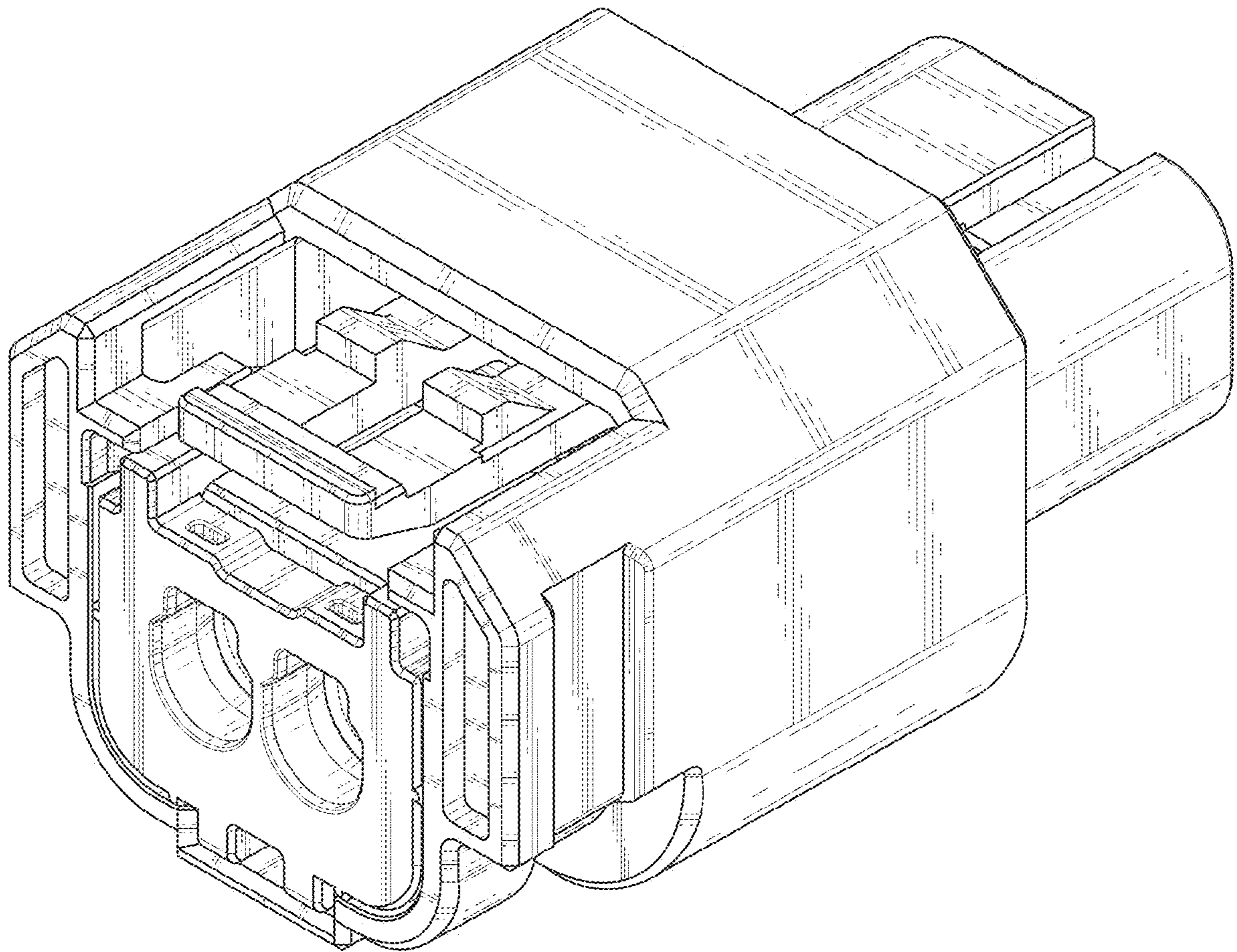


FIG. 14