



US00D933607S

(12) **United States Design Patent**
Bowman et al.

(10) **Patent No.:** **US D933,607 S**

(45) **Date of Patent:** **** *Oct. 19, 2021**

(54) **MEDICAL DEVICE CONNECTOR**

(71) Applicant: **Physio-Control, Inc.**, Redmond, WA (US)

(72) Inventors: **Ryan Bowman**, Redmond, WA (US);
Zack Pahlman, Redmond, WA (US);
Jeremy Wong, Redmond, WA (US)

(73) Assignee: **Physio-Control, Inc.**, Redmond, WA (US)

(*) Notice: This patent is subject to a terminal disclaimer.

(**) Term: **15 Years**

(21) Appl. No.: **29/708,322**

(22) Filed: **Oct. 4, 2019**

(51) **LOC (13) Cl.** **13-03**

(52) **U.S. Cl.**
USPC **D13/133; D13/146**

(58) **Field of Classification Search**
USPC D13/107, 108, 123, 133, 146, 147, 154,
D13/184, 199; D24/107, 127, 129, 167,
D24/168, 187
CPC A61N 1/39; A61B 5/00; A61B 5/04; A61B
5/0408; A61B 5/0416; A61B 6/03; H01R
9/00; H01R 9/03; H01R 13/00; H01R
13/46; H01R 13/627; H01R 13/64; H01R
13/73; H01R 24/00
See application file for complete search history.

(56) **References Cited**

U.S. PATENT DOCUMENTS

- 2,384,267 A * 9/1945 Andersen H01R 24/84
439/293
- D250,719 S * 1/1979 Jacobson 607/36
- D263,794 S * 4/1982 Yoshizawa D9/432
- D290,458 S 6/1987 O'Leary

- D319,312 S 8/1991 Schneider
- D395,282 S * 6/1998 Rudoy D13/133
- D410,625 S * 6/1999 Kerek D13/133
- D434,377 S 11/2000 Bussett et al.
- D475,014 S 5/2003 Kano
- D523,815 S 6/2006 Lai
- D588,990 S 3/2009 Kok et al.
- D589,444 S 3/2009 Kok et al.
- D589,881 S 4/2009 Kok et al.
- D645,406 S * 9/2011 Chartrand D13/154
- D668,611 S 10/2012 Byrne et al.
- 8,647,147 B2 * 2/2014 Chartrand H01R 4/2406
439/425

D730,839 S 6/2015 Sasano
(Continued)

OTHER PUBLICATIONS

Aedsuperstore.com, "Physio-Control LIFEPAK 500 Data Transfer USB to Quik-Combo Cable", retrieved on Oct. 7, 2020 from <<https://www.aedsuperstore.com/physio-control-lifepak-500-data-transfer-usb-to-quick-combo-cable.html>>, Dec. 1, 2010, 3 pages.

(Continued)

Primary Examiner — Shawn T Gingrich

(74) *Attorney, Agent, or Firm* — Lee & Hayes, P.C.

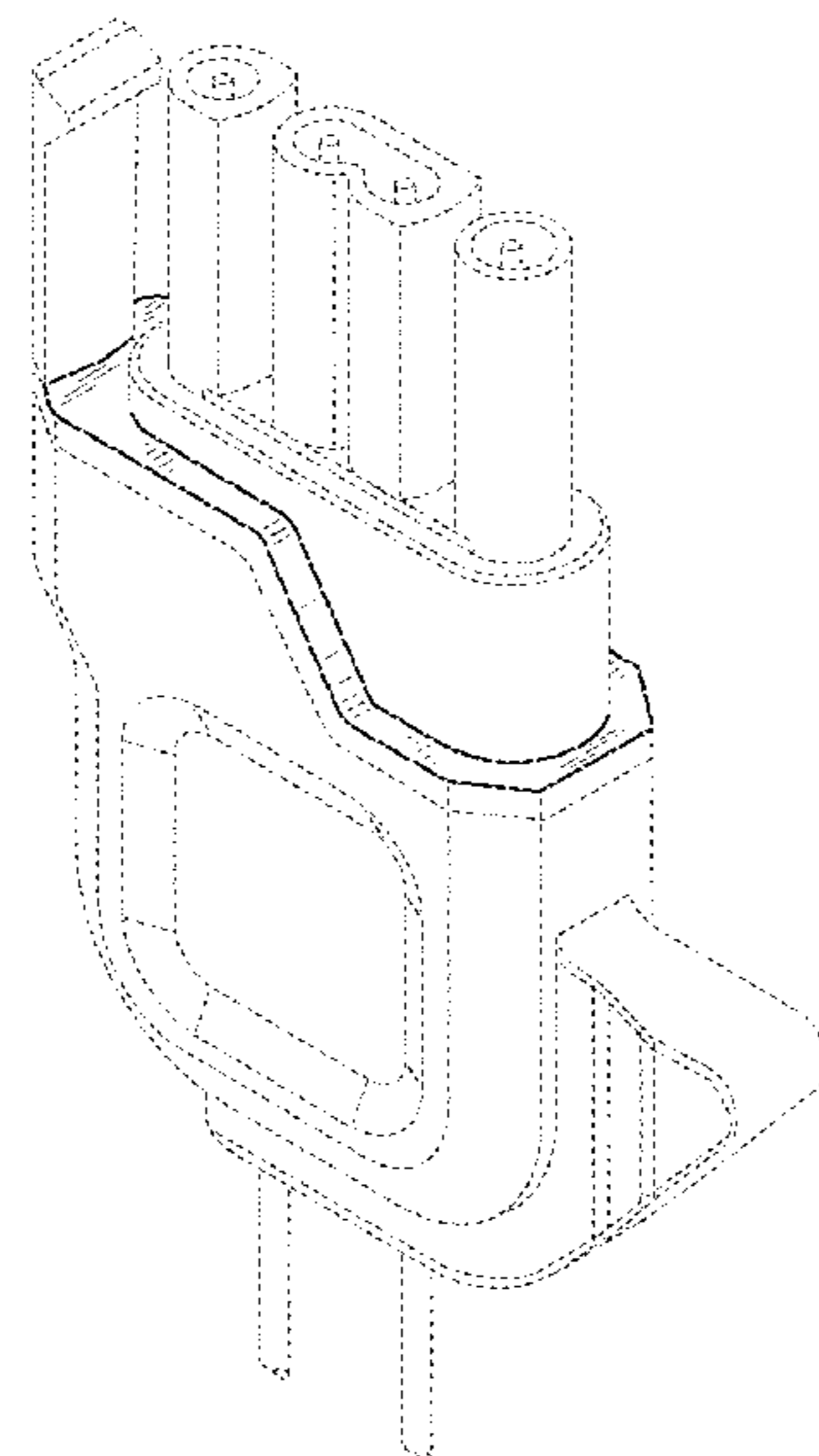
(57) **CLAIM**

The ornamental design for a medical device connector, as shown and described.

DESCRIPTION

FIG. 1 is a front perspective view of a medical device connector;
FIG. 2 is a front view thereof;
FIG. 3 is a back view thereof;
FIG. 4 is a top view thereof;
FIG. 5 is a left side view thereof; and,
FIG. 6 is a right side view thereof.
The dashed line in the drawings represent unclaimed subject matter and do not form part of the claimed design.

1 Claim, 3 Drawing Sheets



(56)

References Cited

U.S. PATENT DOCUMENTS

D743,342	S	11/2015	Sasano	
D743,906	S	11/2015	Sasano	
D851,595	S	6/2019	Chen	
D864,870	S *	10/2019	Payne	D13/133
D887,987	S *	6/2020	Ganamukhi	D13/147
D896,175	S *	9/2020	Staff	D13/108
2005/0227529	A1	10/2005	Mrakovich et al.	
2011/0014821	A1	1/2011	Ko	
2012/0178270	A1 *	7/2012	McElroy	H01R 13/6205 439/39
2014/0073180	A1	3/2014	Knight et al.	
2015/0017841	A1	1/2015	Chen et al.	
2016/0028169	A1	1/2016	Glick et al.	
2018/0159274	A1 *	6/2018	Eriksson	H01R 24/76
2021/0011235	A1	1/2021	Wimmer	

OTHER PUBLICATIONS

Amazon.com, "Physio-Control 11113-000002 Quik-Combo Test Plug for Testing QC Cable", retrieved on Oct. 7, 2020 from <<https://www.amazon.com/physio-control-11113-000002-quik-combo-testing-cable/dp/B085D4M7B3>>, Nov. 27, 2009, 2 pages.

DHGate.com, "T4 T5 T8 Bracket Light Male and Female Plug Connector", retrieved on Oct. 7, 2020 from <https://www.dhgate.com/product/t4-t5-t8-bracket-light-male-and-female-plug/410219373.html#redirect_detail=WAP2PC>, Nov. 20, 2019.

Non Final Office Action dated Oct. 28, 2020 for U.S. Appl. No. 29/708,366, "Medical Device Connector", Bowman, 9 pages.

Non Final Office Action dated Oct. 28, 2020 for U.S. Appl. No. 29/708,367, "Medical Device Connector", Bowman, 7 pages.

Office Action for U.S. Appl. No. 29/708,317, dated Nov. 10, 2020, Bowman, "Medical Device Connector", 5 Pages.

Non Final Office Action dated Dec. 8, 2020 for U.S. Appl. No. 29/708,355, "Medical Device Connector", Bowman, 8 pages.

Office Action for U.S. Appl. No. 29/708,366, dated Apr. 29, 2021, Bowman, "Medical Device Connector", 13 Pages.

Power Cord Adapter YLA-03010 for Waterpik WP360 WP360W WP462 WP462W WP450 WP450W, retrieved on Apr. 22, 2021, at <<https://www.amazon.sg/Adapter-YLA-03010-Waterpik-Charger-110V-240V/dp/B07VNVTXG>>, 2019, 2 pgs.

Replacement Part for Waterpik Charger WP462 WP462W, retrieved on Apr. 22, 2021 at <https://www.waterpik.com/oral-health/tips-accessories/TRANS_WP-450>, 2014, 2 pgs.

Waterpik, 2 Prong Charger for Cordless Water Flossers, retrieved on Apr. 22, 2021, at <https://www.waterpik.com/oral-health/tips-accessories/TRANS_WP-450>, 2014, 2 pgs.

* cited by examiner

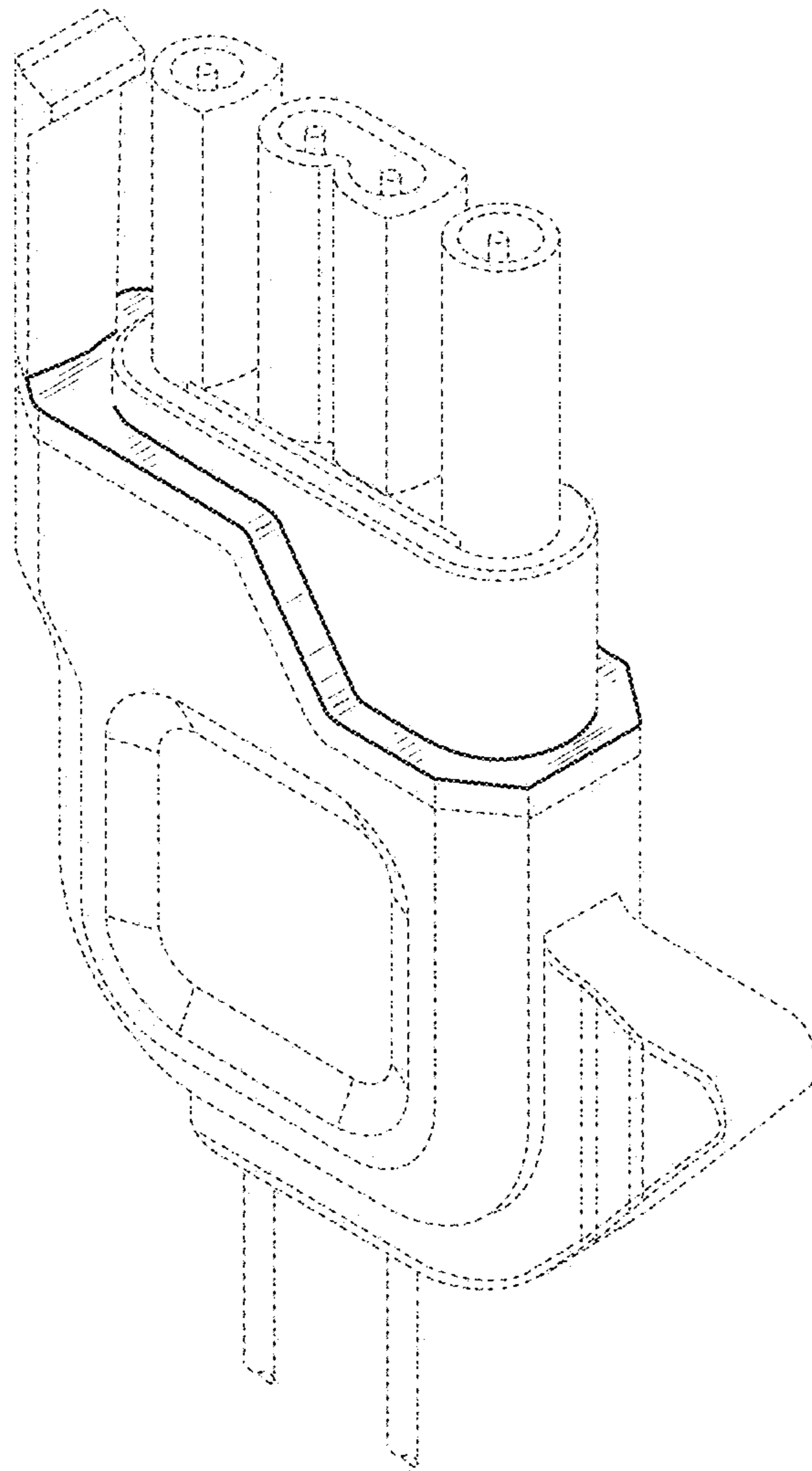


FIG. 1

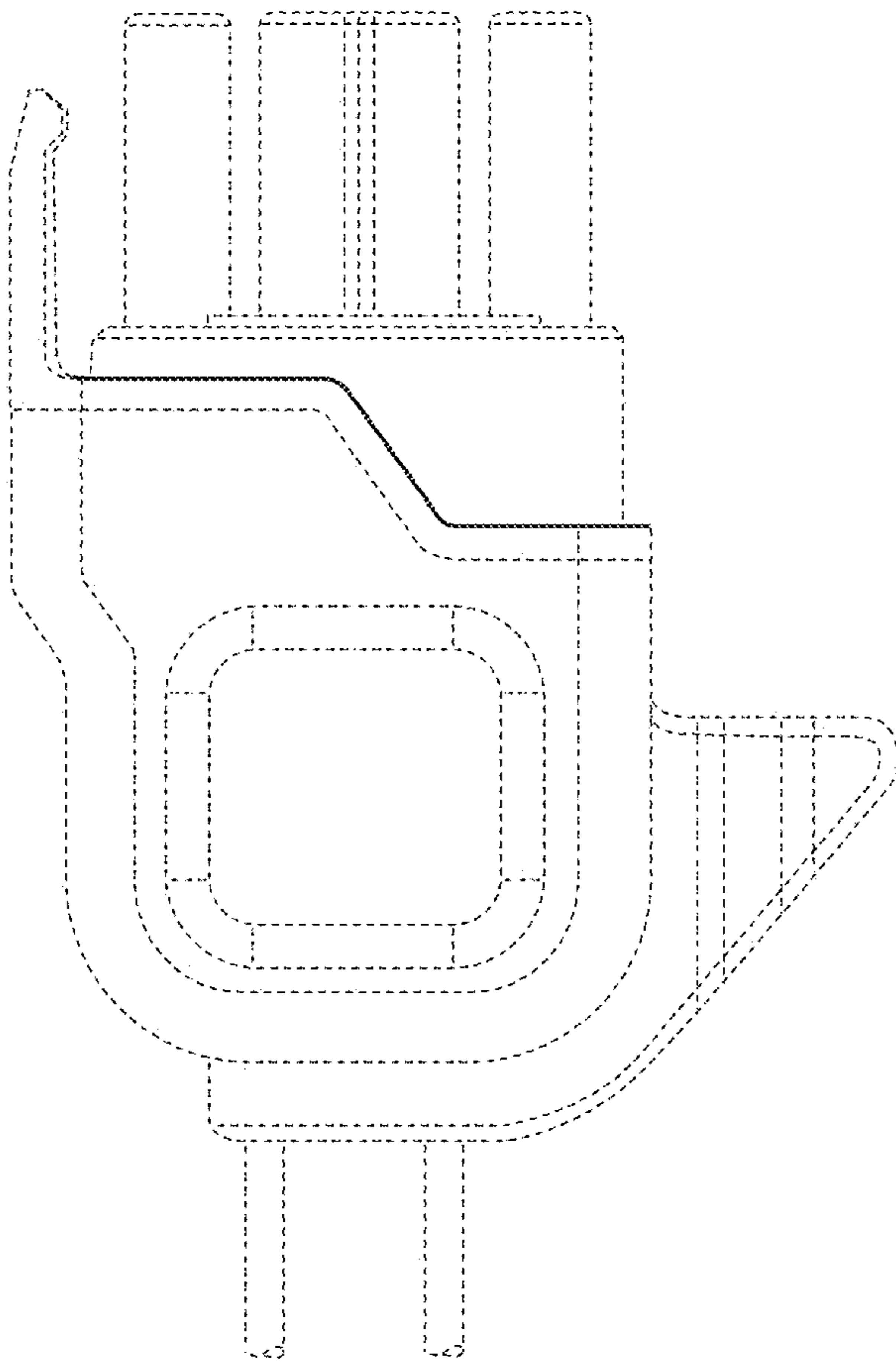


FIG. 2

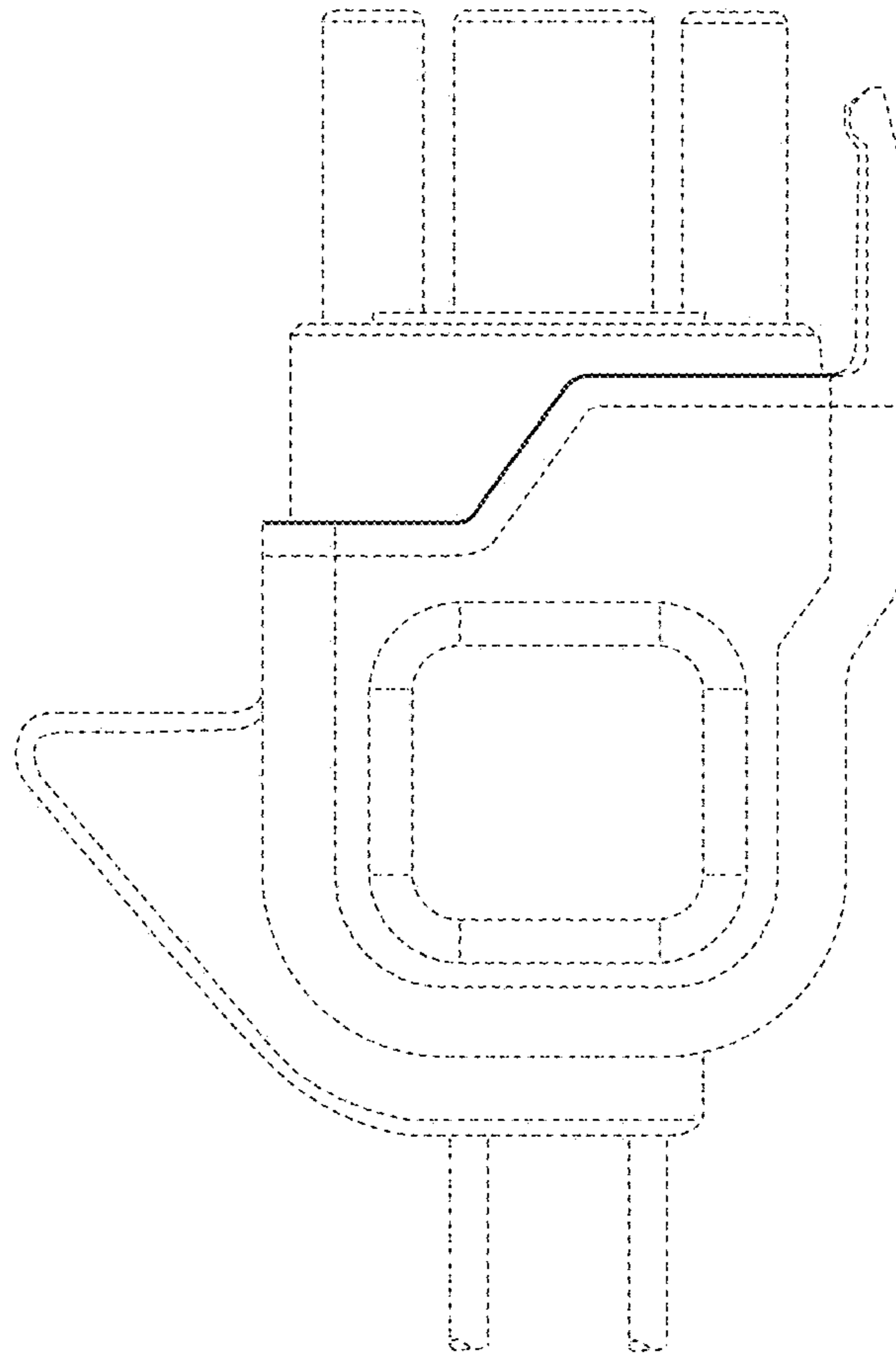


FIG. 3

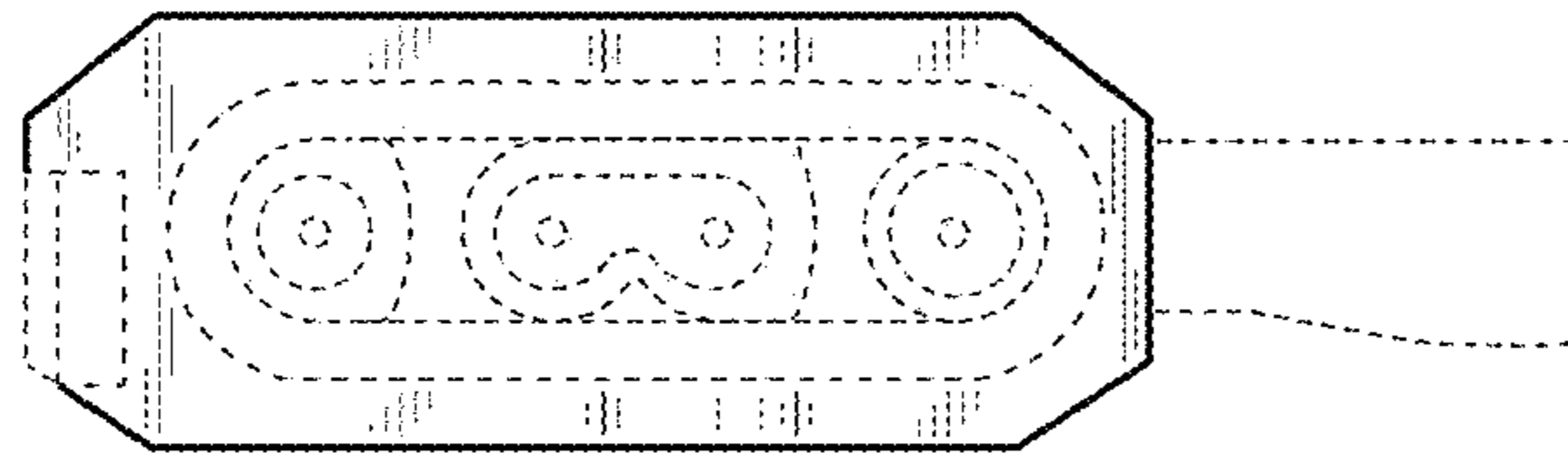


FIG. 4

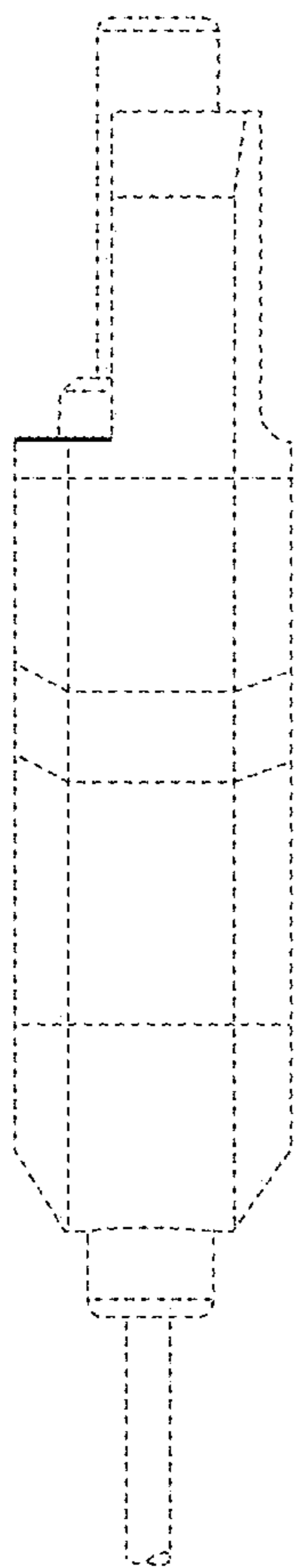


FIG. 5

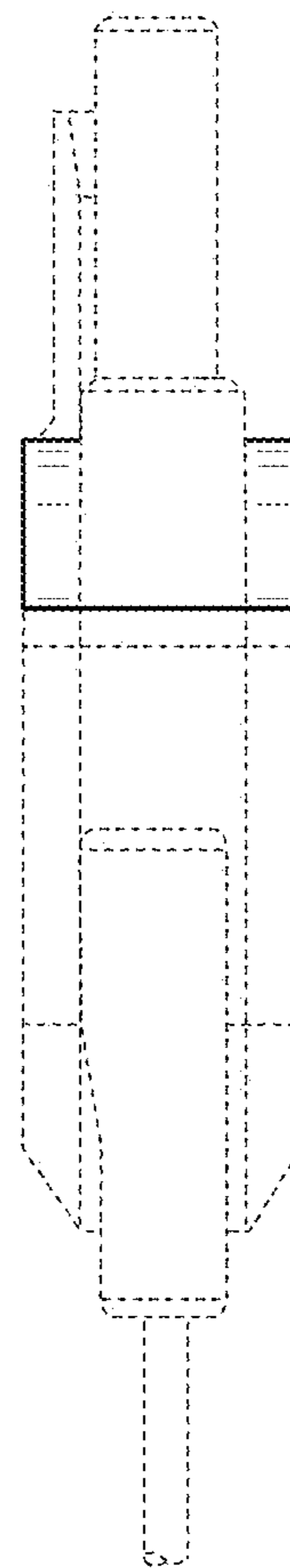


FIG. 6