



US00D933606S

(12) **United States Design Patent** (10) **Patent No.:** **US D933,606 S**
Alexander et al. (45) **Date of Patent:** **** Oct. 19, 2021**

(54) **GENERATOR FRAME**

(71) Applicant: **FNA Group, Inc.**, Pleasant Prairie, WI (US)

(72) Inventors: **Chris Alexander**, Park Ridge, IL (US); **William N. Alexander**, Elmhurst, IL (US); **Richard J. Gilpatrick**, Burlington, WI (US); **Shawn M. Mulkins**, Zion, IL (US); **Robert E. Dowd**, Oconomowoc, WI (US)

(73) Assignee: **FNA Group, Inc.**, Pleasant Prairie, WI (US)

D580,860 S * 11/2008 Xi-Ren D13/122
D596,817 S * 7/2009 Glass D32/25
D617,269 S * 6/2010 van Deursen D13/116
D703,137 S * 4/2014 van Deursen D13/116
8,841,582 B2 * 9/2014 Bender F16M 3/00
219/133
D747,269 S * 1/2016 Larrabee D13/123
2014/0217689 A1 * 8/2014 Rumao H02K 7/1815
280/47.33

* cited by examiner

Primary Examiner — Derrick E Holland

(74) *Attorney, Agent, or Firm* — Steven E. Jedlinski; Jeffrey T. Placker; Holland & Knight LLP

(**) Term: **15 Years**

(21) Appl. No.: **29/733,527**

(22) Filed: **May 4, 2020**

(51) **LOC (13) Cl.** **13-01**

(52) **U.S. Cl.**
USPC **D13/122**

(58) **Field of Classification Search**
USPC D13/101, 102, 103, 107, 109, 112, 113, D13/114, 116, 119, 122, 184, 199
CPC H01M 10/44; H01M 10/46; H01M 10/425; Y02B 10/12; Y02B 10/20; Y02B 10/24; H02J 7/34; H02J 7/35; H02J 7/42; H02J 7/44; H02J 7/54; H02J 7/0003; Y02T 90/122; Y02T 90/128; Y02T 90/163; B62B 1/008; F02B 63/044; F02B 2063/045

See application file for complete search history.

(56) **References Cited**

U.S. PATENT DOCUMENTS

4,503,812 A * 3/1985 Eberhardt F02B 63/06
123/2
D441,714 S * 5/2001 Yuzuriha D13/116

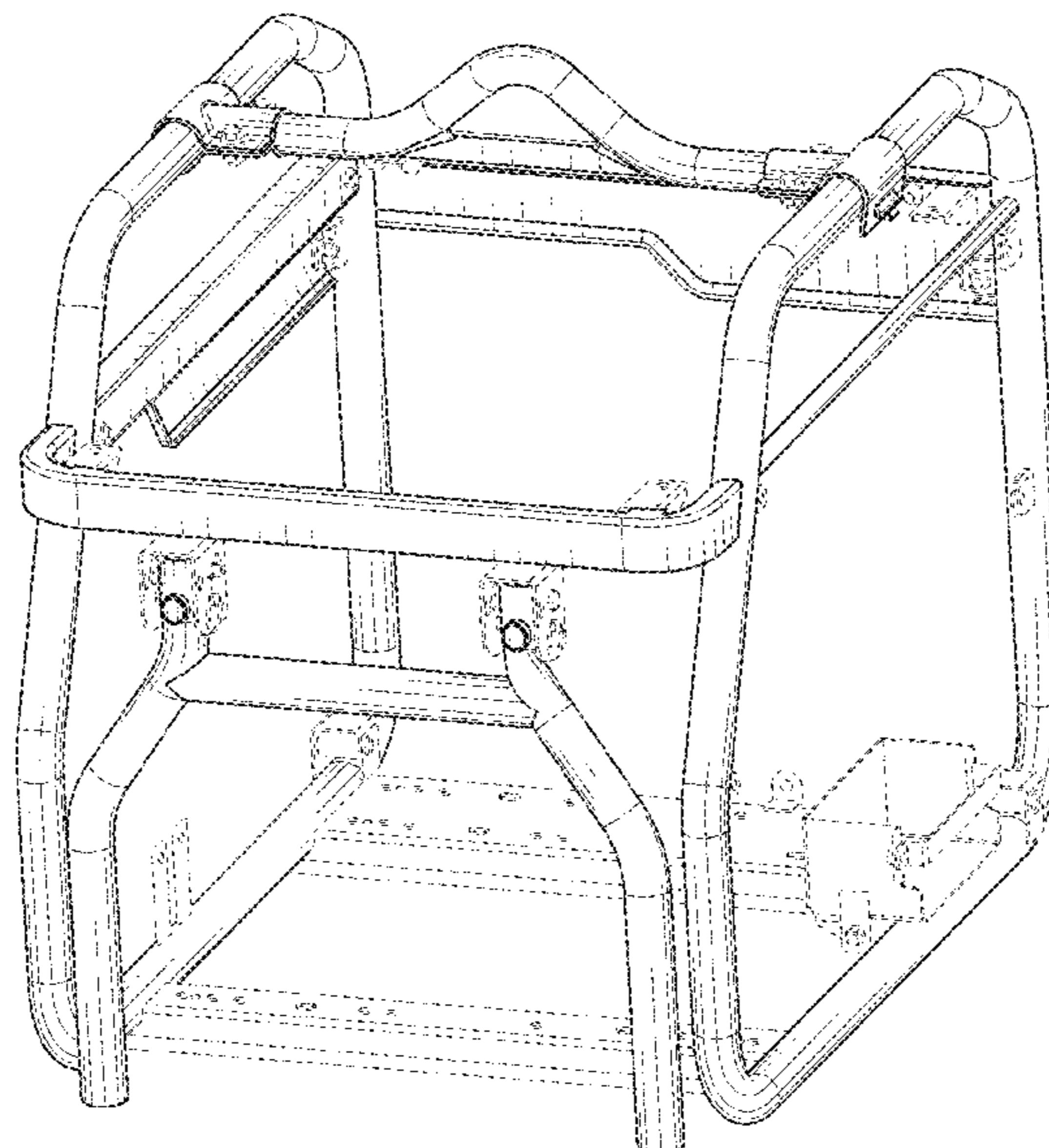
(57) **CLAIM**

The ornamental design for a generator frame, as shown and described.

DESCRIPTION

FIG. 1 is a top-front-right perspective view of a generator frame;
FIG. 2 is a bottom-front-left perspective view thereof;
FIG. 3 is a bottom-rear-left perspective view thereof;
FIG. 4 is a top-rear-right perspective view thereof;
FIG. 5 is a front elevation view thereof;
FIG. 6 is a rear elevation view thereof;
FIG. 7 is a left elevation view thereof;
FIG. 8 is right elevation view thereof;
FIG. 9 is a top plan view thereof; and,
FIG. 10 is a bottom plan view thereof.
The broken lines shown represent the portions of the generator frame that form no part of the claimed design.

1 Claim, 10 Drawing Sheets



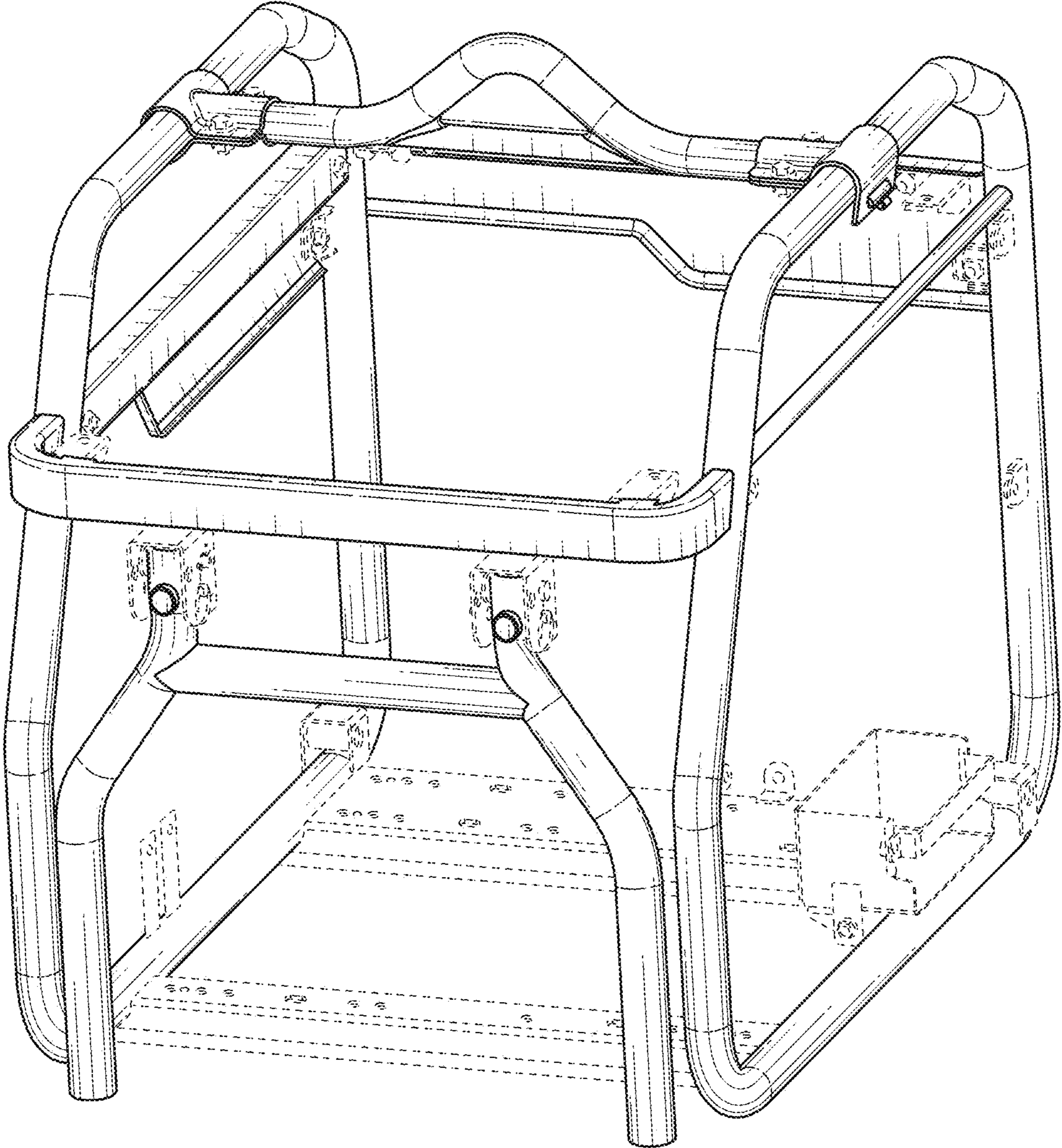


FIG. 1

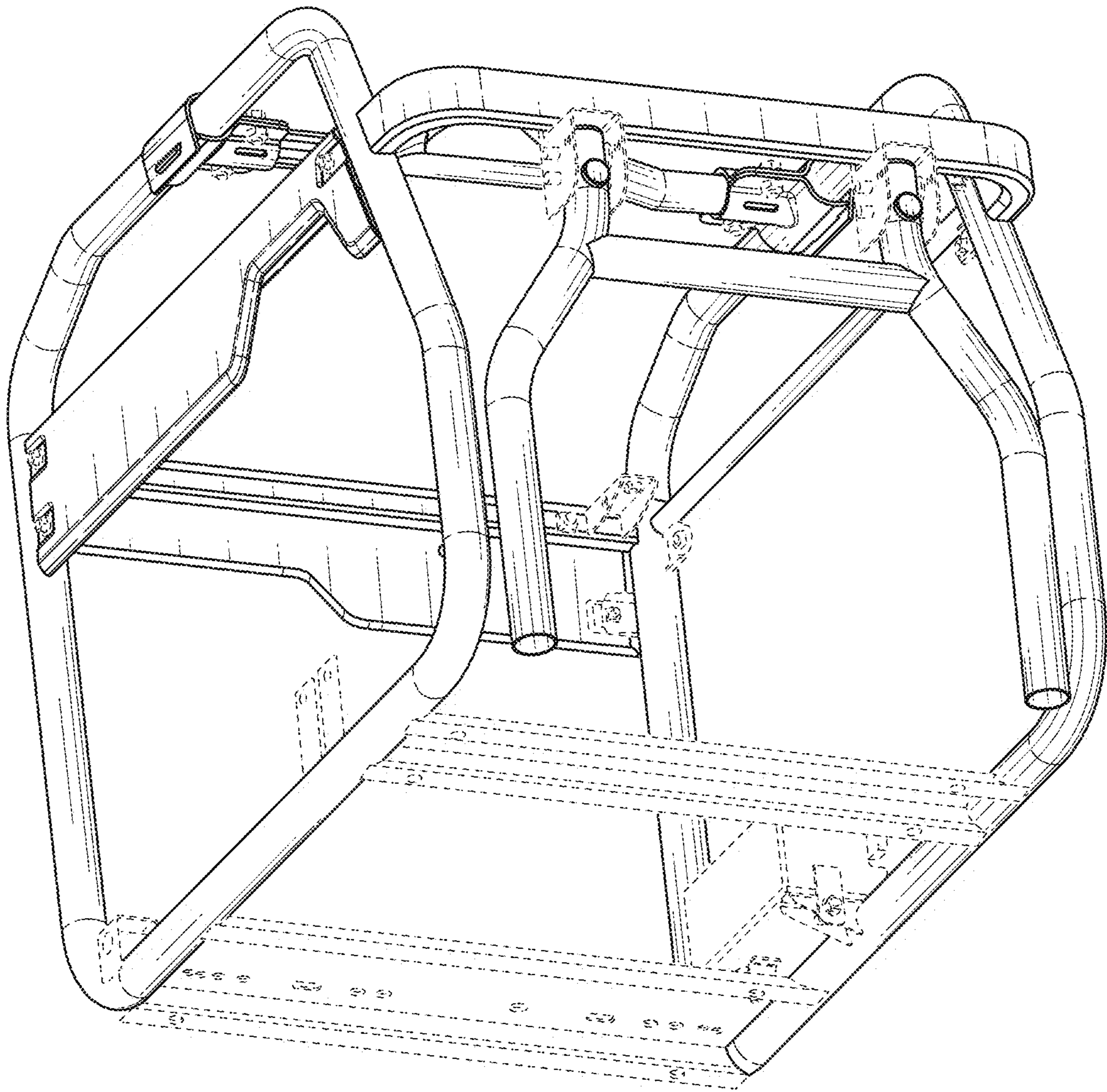


FIG. 2

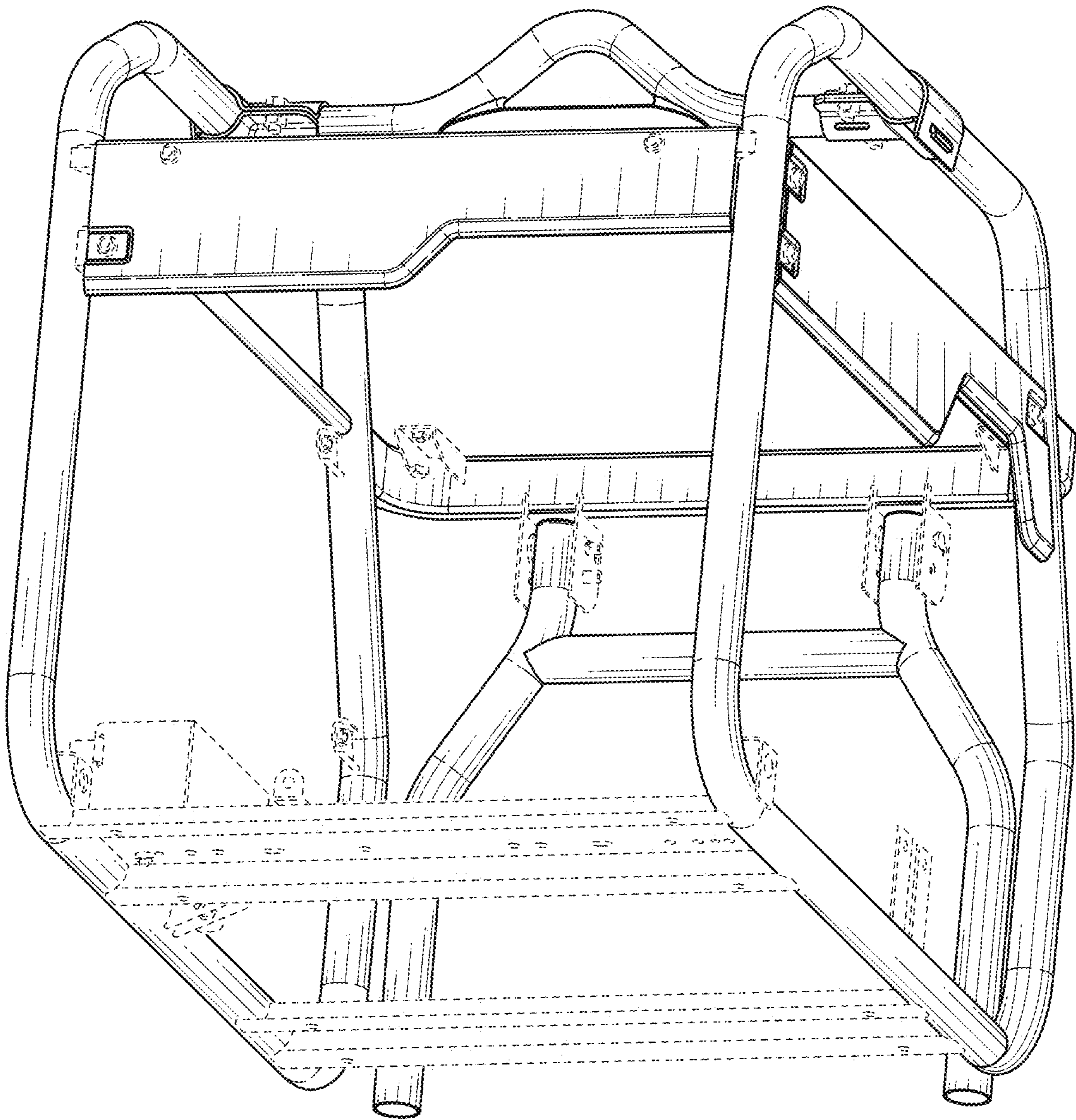


FIG. 3

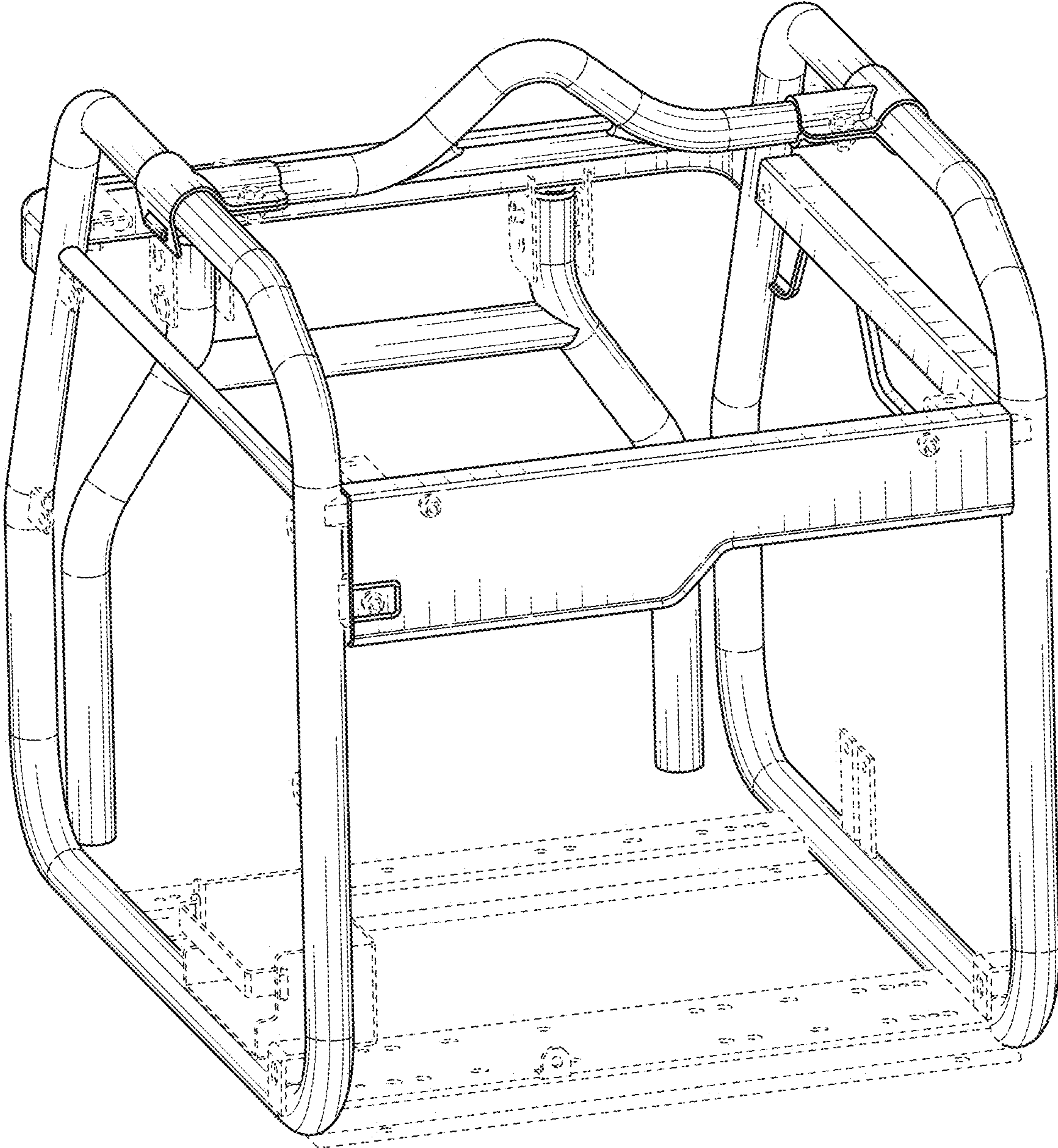


FIG. 4

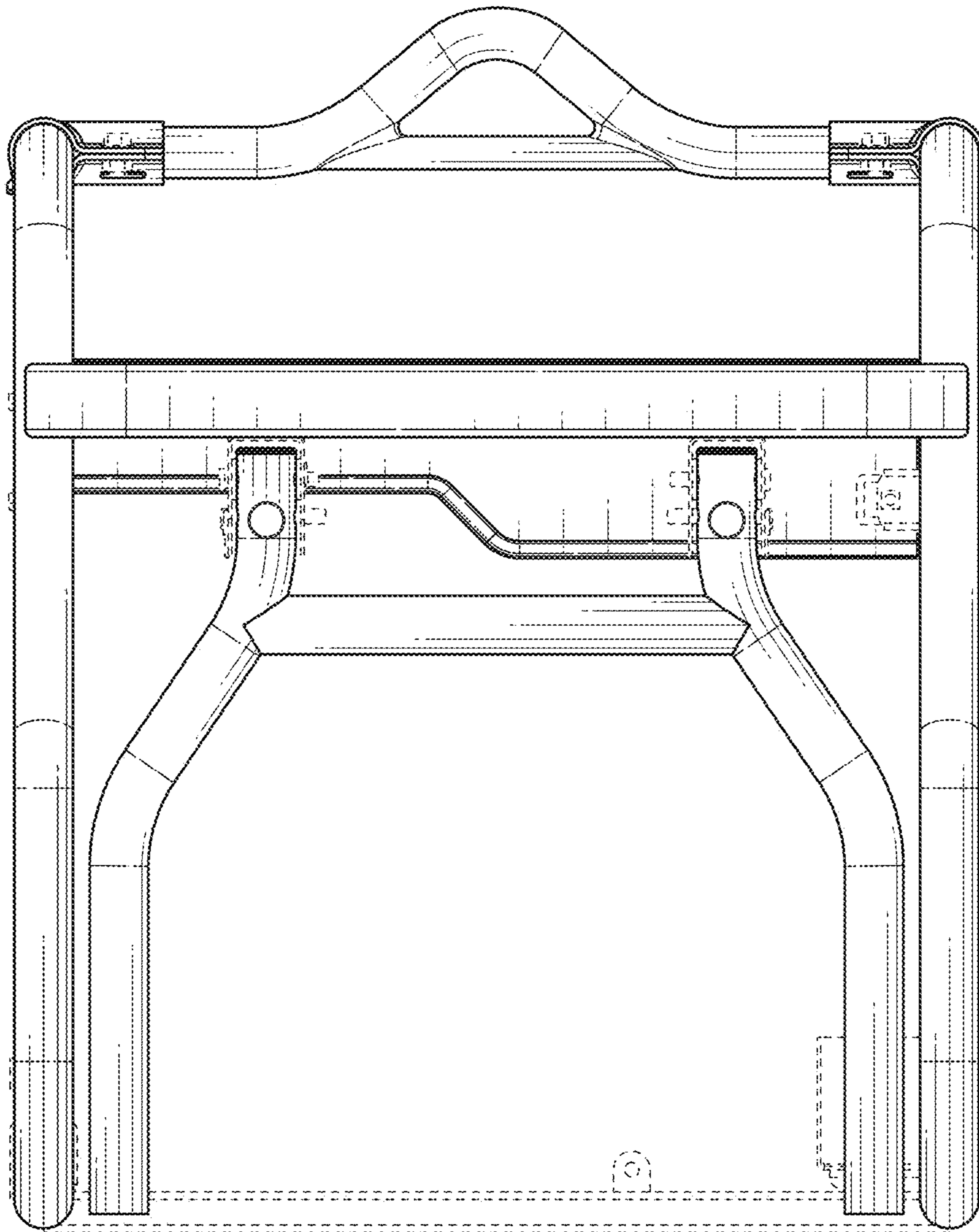


FIG. 5

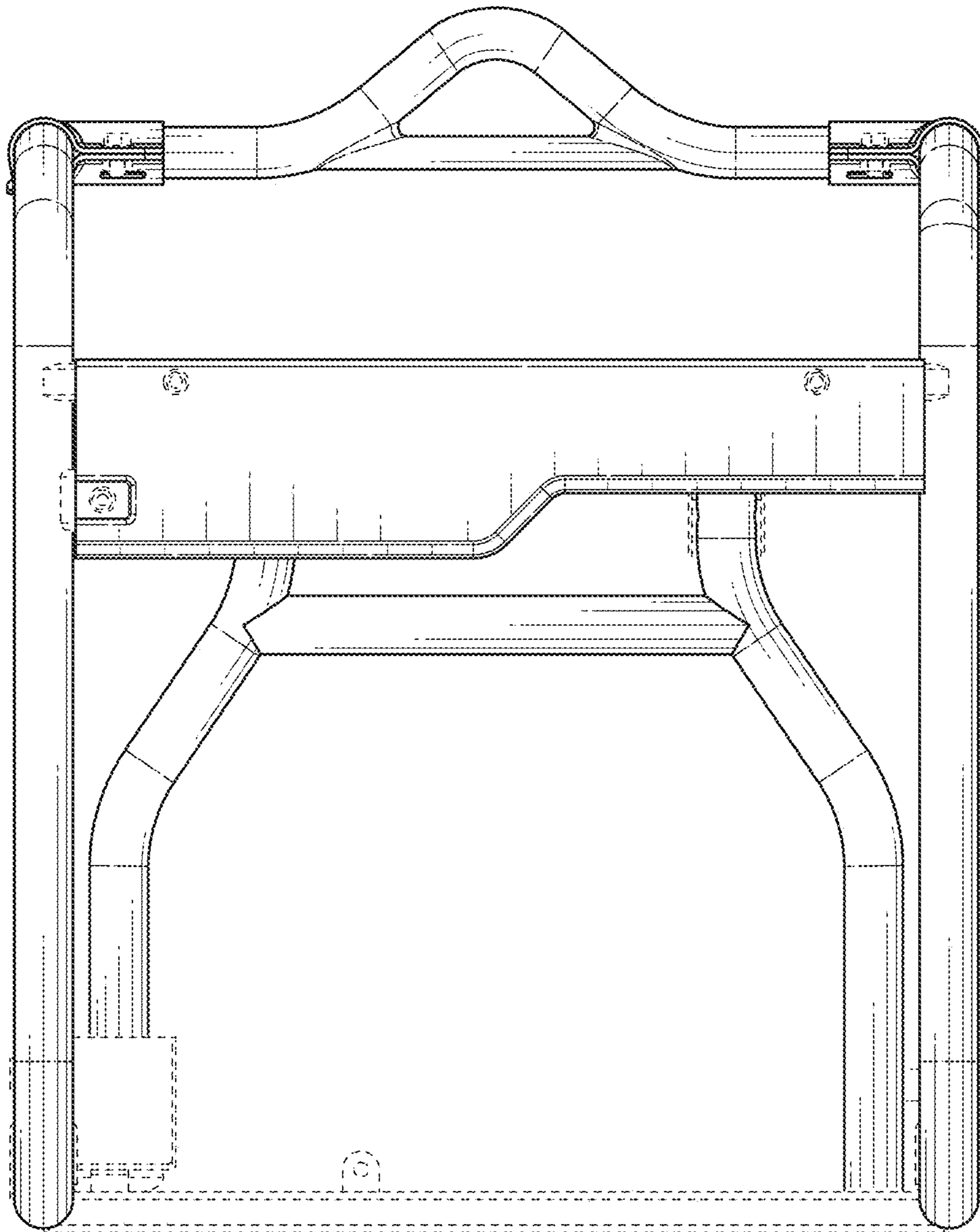


FIG. 6

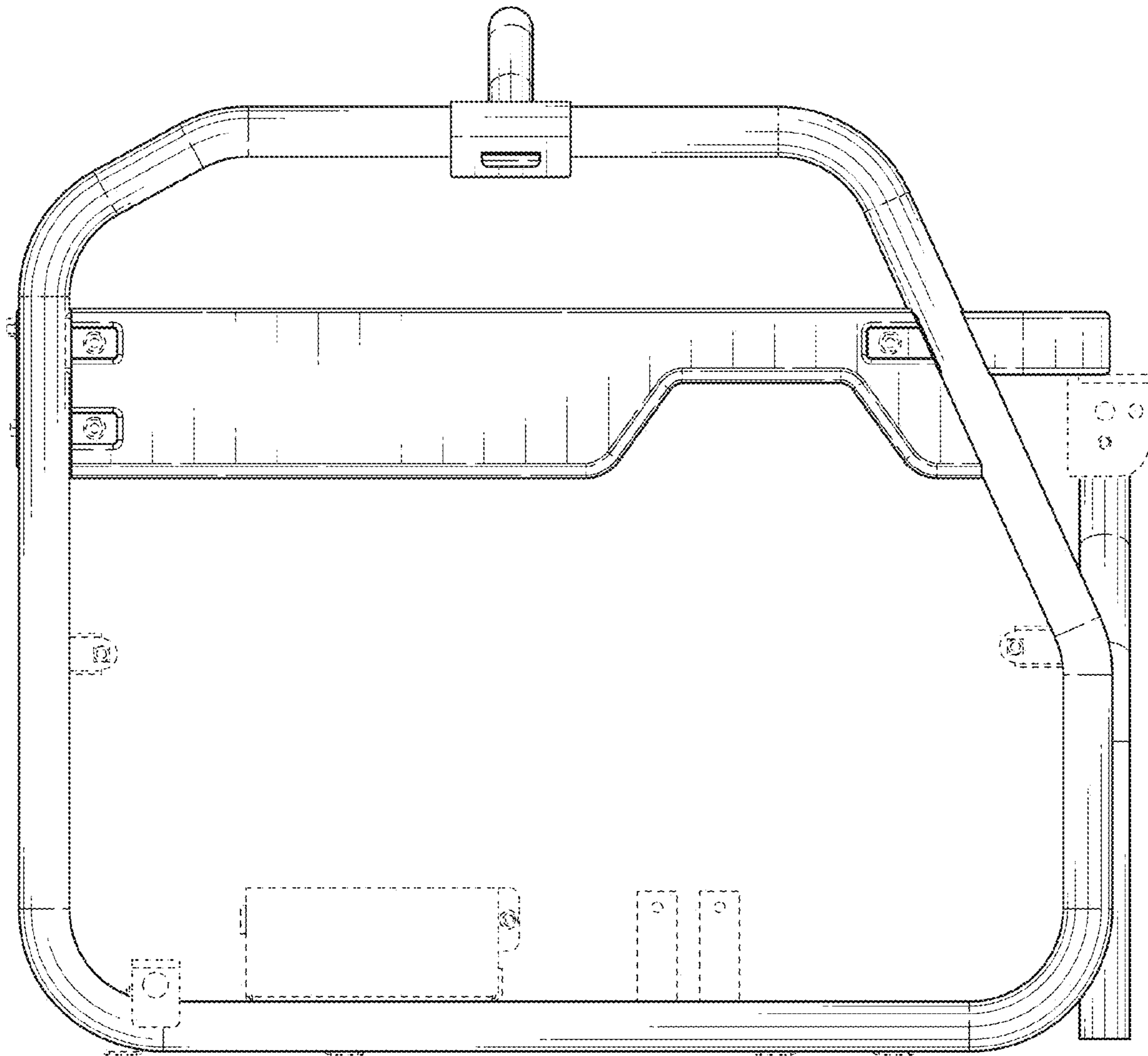


FIG. 7

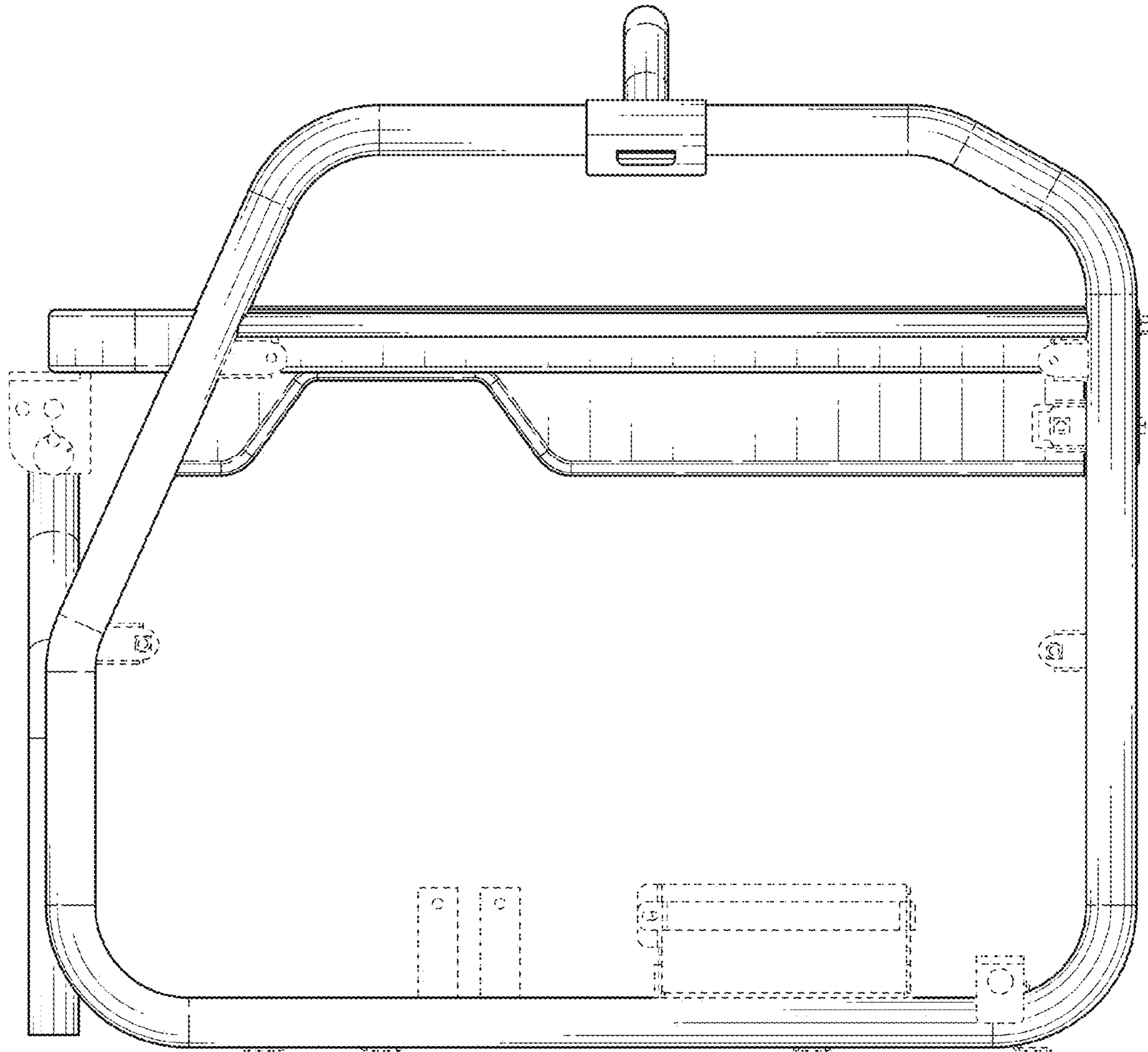


FIG. 8

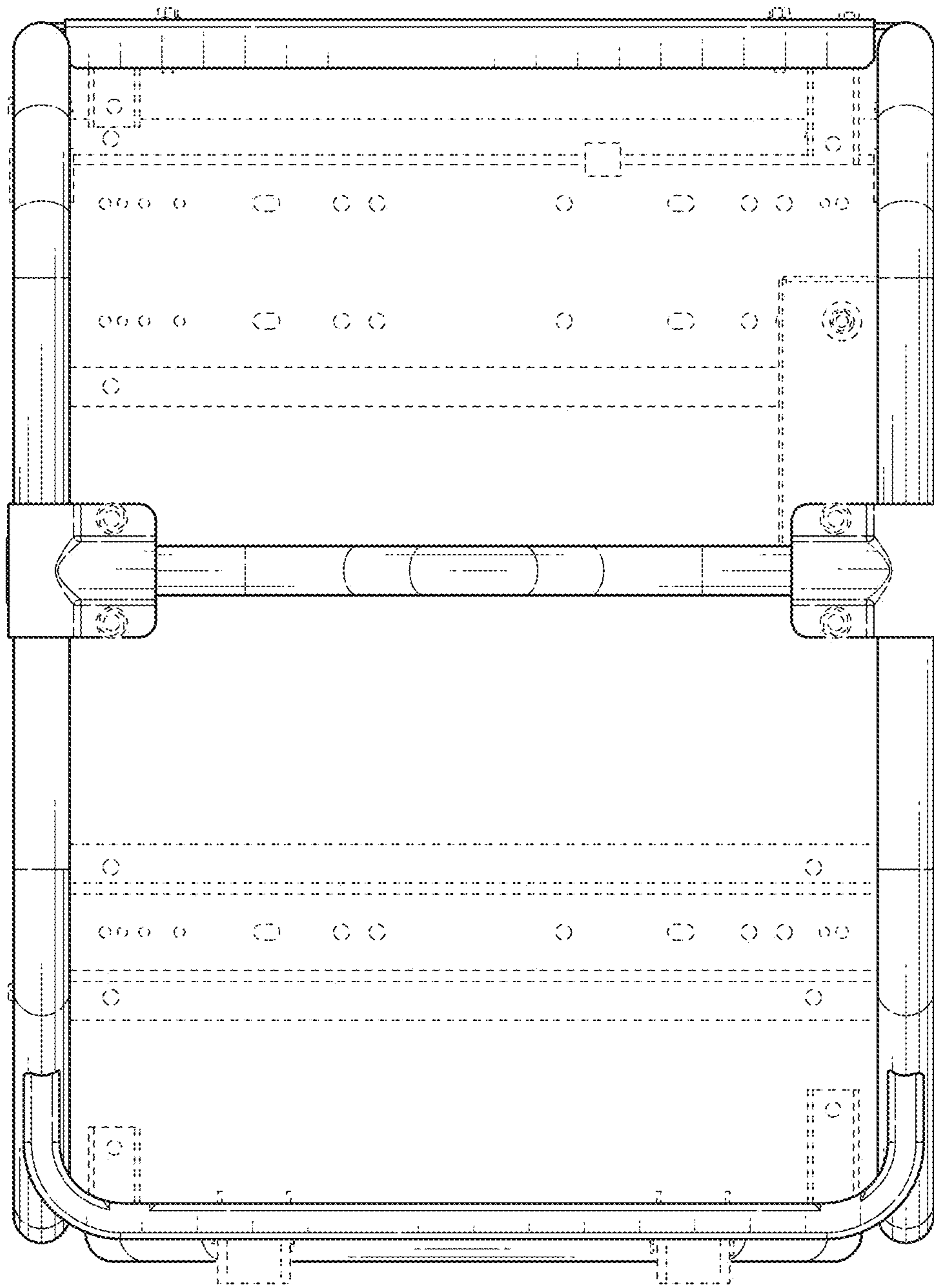


FIG. 9

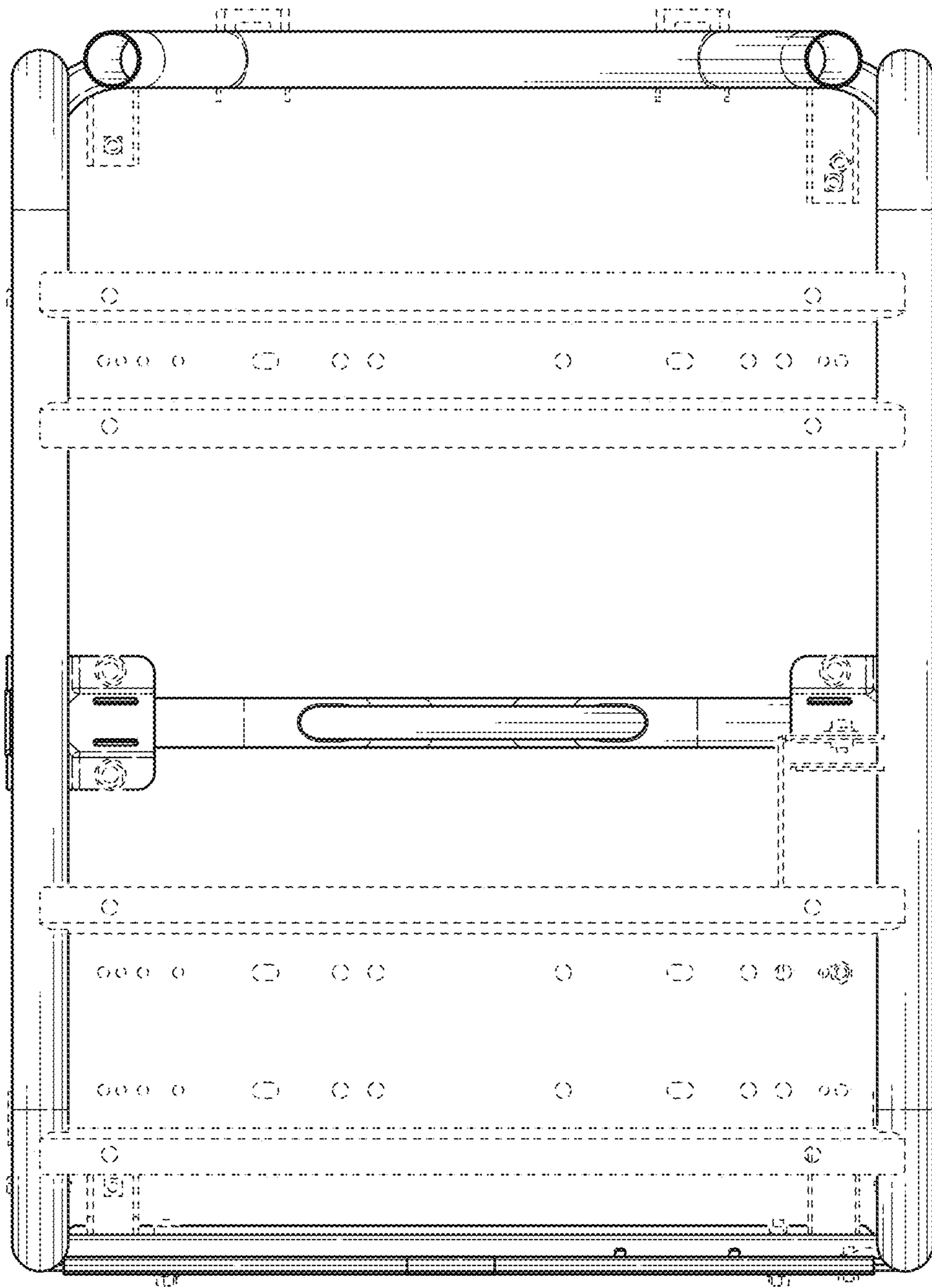


FIG. 10