



US00D933603S

(12) **United States Design Patent**
Li et al.

(10) **Patent No.:** **US D933,603 S**
(45) **Date of Patent:** **** Oct. 19, 2021**

(54) **MOBILE ENERGY STORAGE POWER UNIT**

(71) Applicant: **SHENZHEN GEELINK TECHNOLOGY CO., LTD.**,
Guangdong (CN)

(72) Inventors: **Yi Li**, Shenzhen (CN); **Bingjun Zeng**,
Guangdong (CN); **Jianbin Xiao**,
Shenzhen (CN)

(73) Assignee: **Shenzhen Geelink Technology Co., Ltd.**,
Shenzhen (CN)

(**) Term: **15 Years**

(21) Appl. No.: **29/728,995**

(22) Filed: **Mar. 23, 2020**

(30) **Foreign Application Priority Data**

Dec. 31, 2019 (CN) 201930743410.9

(51) **LOC (13) Cl.** **13-02**

(52) **U.S. Cl.**
USPC **D13/110**

(58) **Field of Classification Search**
USPC D13/103, 107, 108, 110, 118, 119, 122,
D13/184, 199
CPC Y02E 60/12; Y02E 60/122; Y02E 60/124;
Y02E 60/50; H02J 7/025; H02J 7/0042;
H02J 7/0044; H02J 7/0045; H02J 7/0003;
H01R 13/6675; H01M 2/1022; H01M
2/1055; H01M 10/44; H01M 10/46;
H01M 10/425; B60L 11/182
See application file for complete search history.

(56) **References Cited**

U.S. PATENT DOCUMENTS

D870,043 S * 12/2019 Xu D13/110
D883,206 S * 5/2020 Bai D13/110

D887,357 S * 6/2020 Liao D13/110
D902,857 S * 11/2020 Jia D13/110
D911,952 S * 3/2021 Yin D13/108
D916,011 S * 4/2021 Finocchiaro D13/107
D916,658 S * 4/2021 Jiang D13/110
2020/0344919 A1* 10/2020 Jiang H01M 10/425

* cited by examiner

Primary Examiner — Christy Nemeth

(74) *Attorney, Agent, or Firm* — Robert L. Stearns;
Dickinson Wright, PLLC

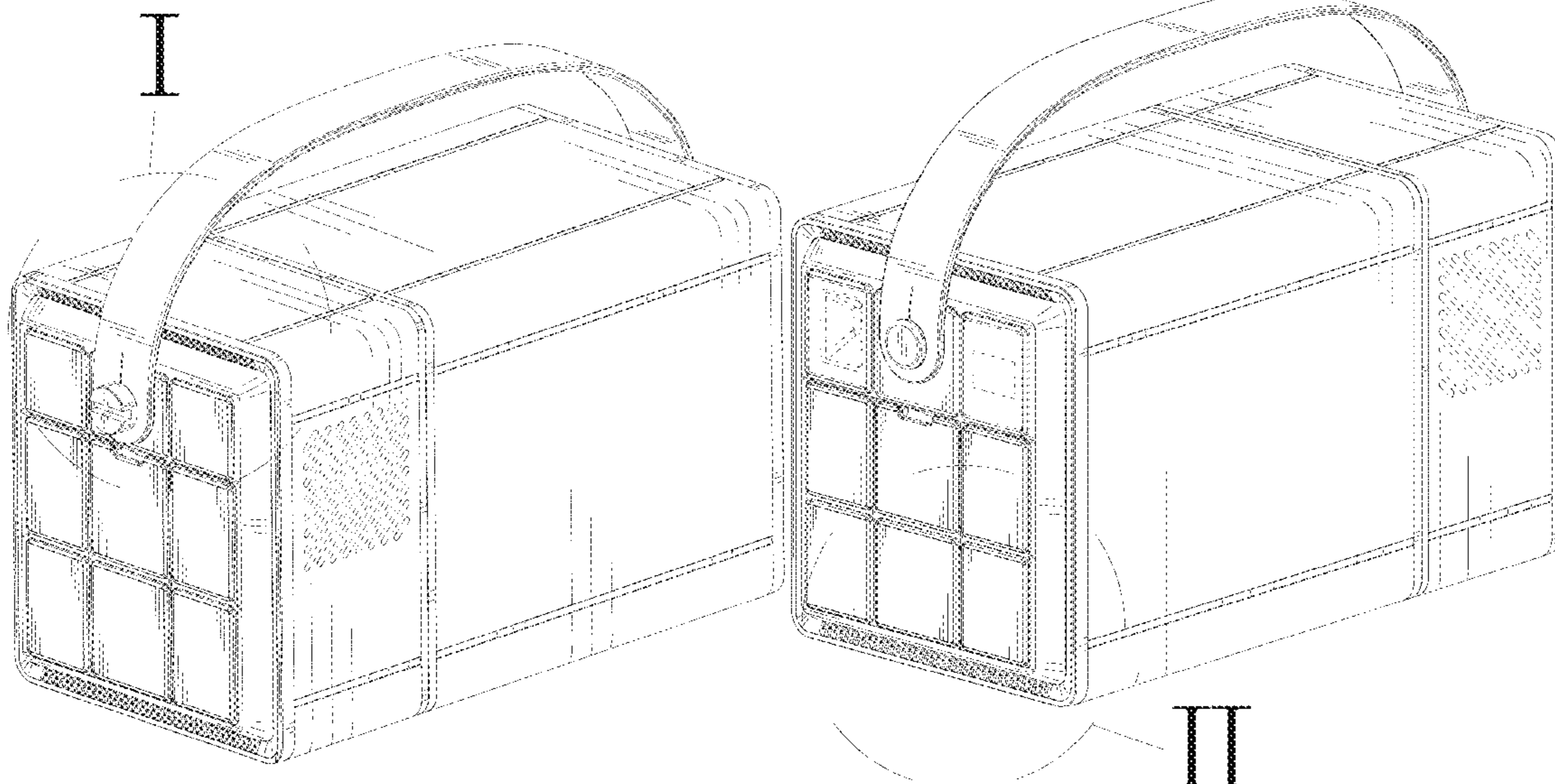
(57) **CLAIM**

The ornamental design for a mobile energy storage power unit, as shown and described.

DESCRIPTION

FIG. 1 is a first perspective view of a mobile energy storage power unit of the present invention;
FIG. 2 is a second perspective view of the mobile energy storage power unit;
FIG. 3 is a front view thereof;
FIG. 4 is a rear view thereof;
FIG. 5 is a left side view thereof;
FIG. 6 is a right side view thereof;
FIG. 7 is a top view thereof;
FIG. 8 is a bottom view thereof;
FIG. 9 is a left side view thereof, shown in a state of use;
FIG. 10 is a right side view thereof, shown in a state of use;
FIG. 11 is an enlarged view of part I of FIG. 1; and,
FIG. 12 is an enlarged view of part II of FIG. 2.
The broken lines in the figures depict portions of the mobile energy storage power unit that form no part of the claimed design.

1 Claim, 12 Drawing Sheets



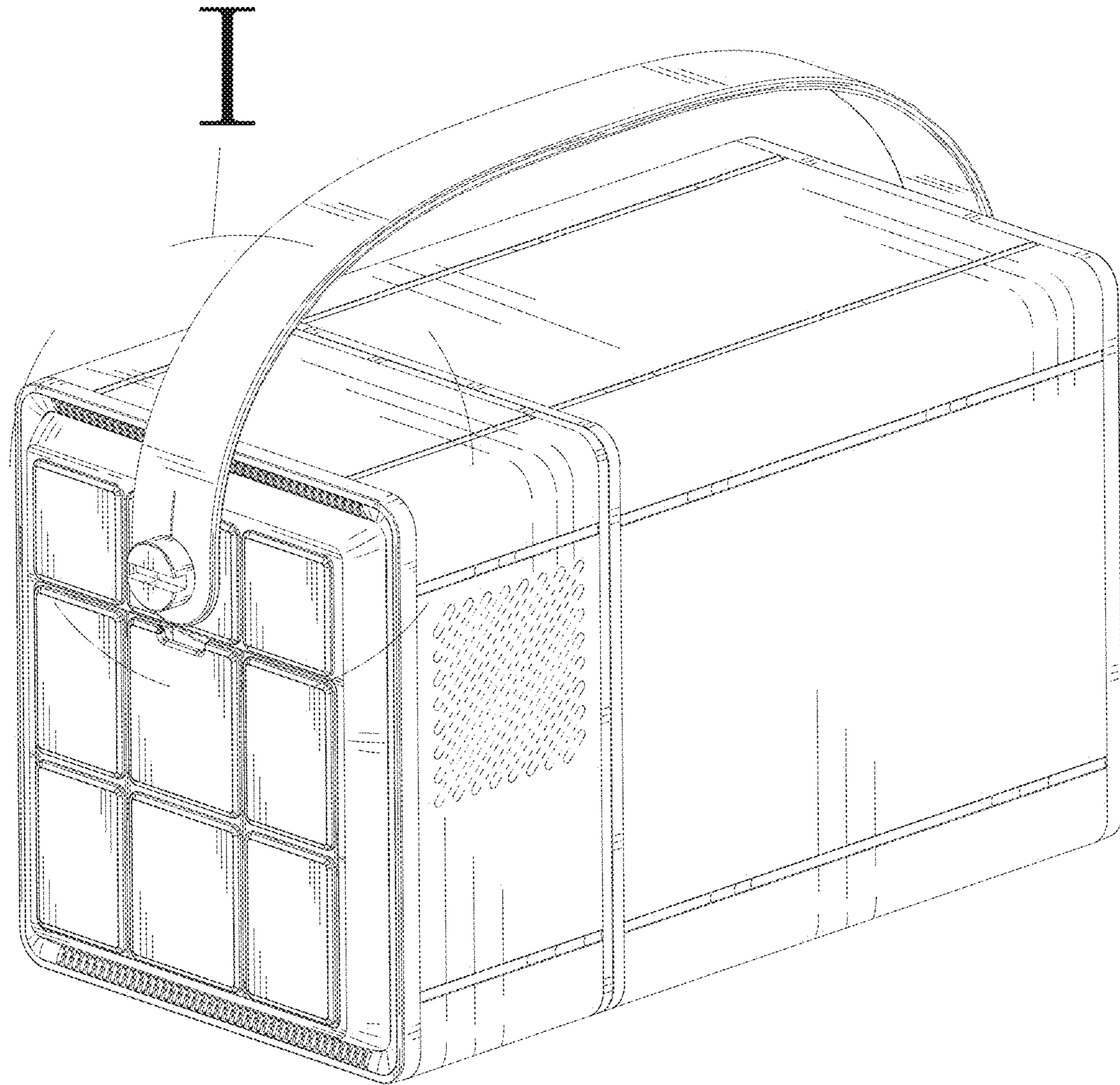


FIG. 1

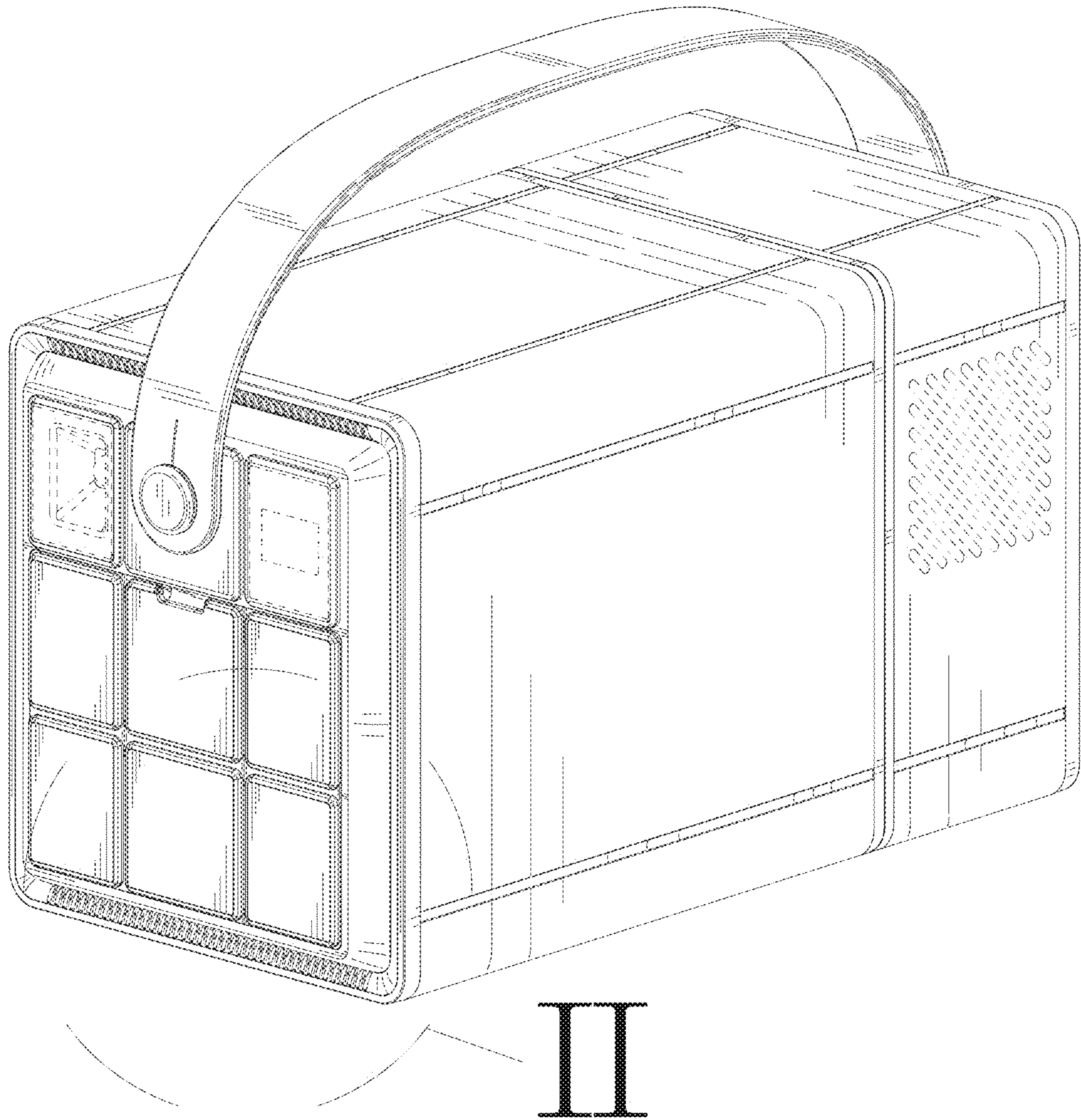


FIG. 2

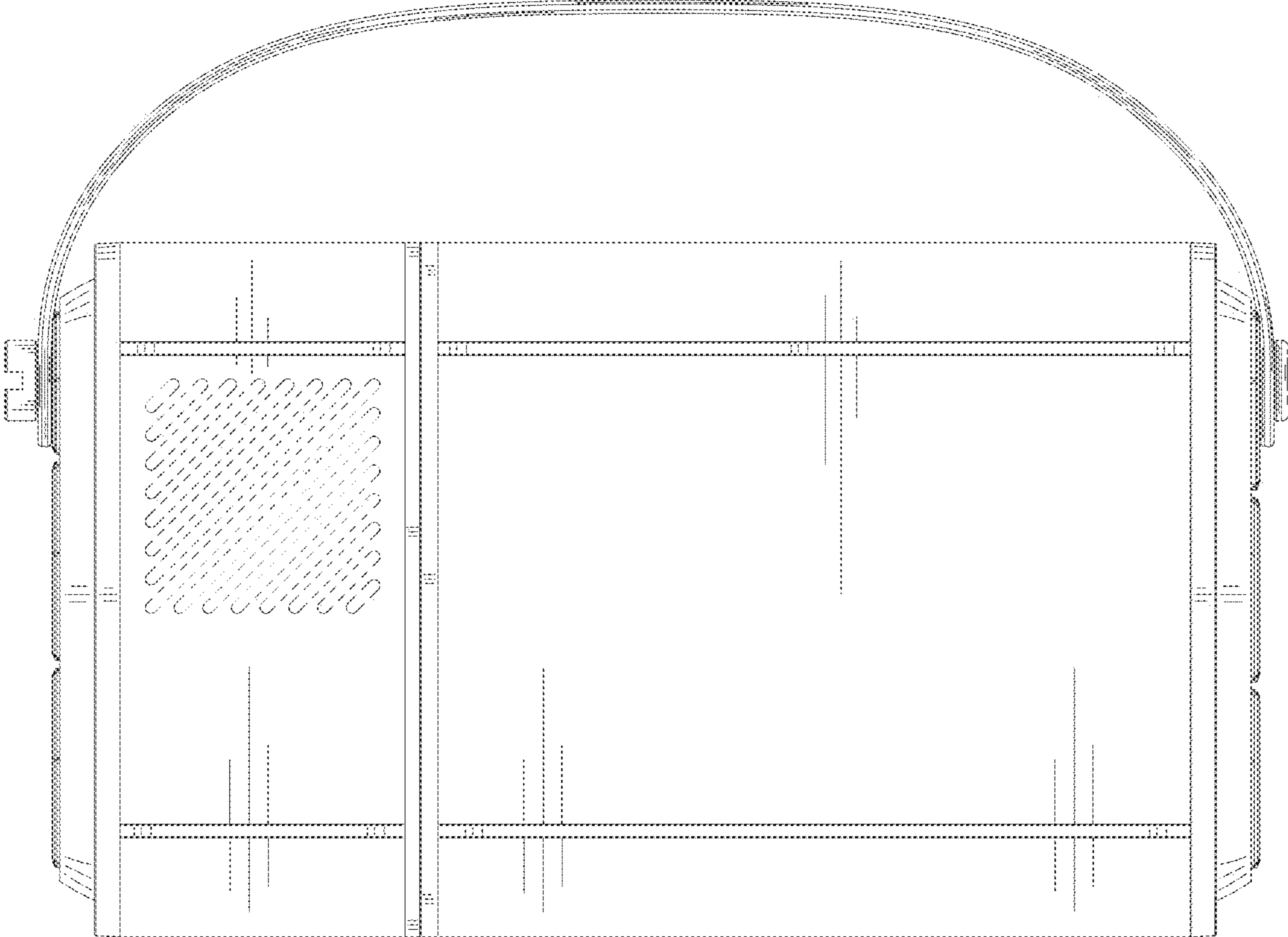


FIG. 3

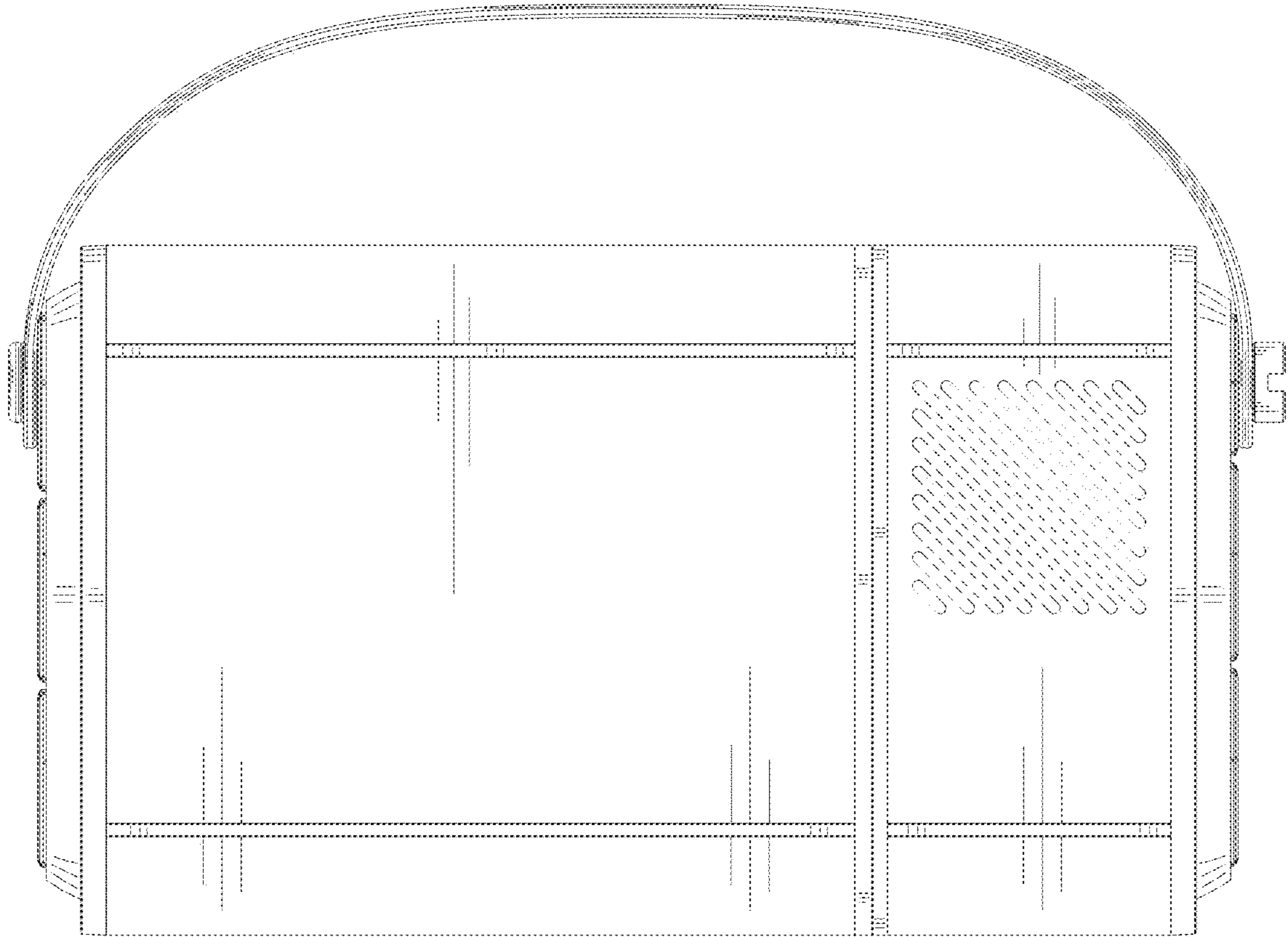


FIG. 4

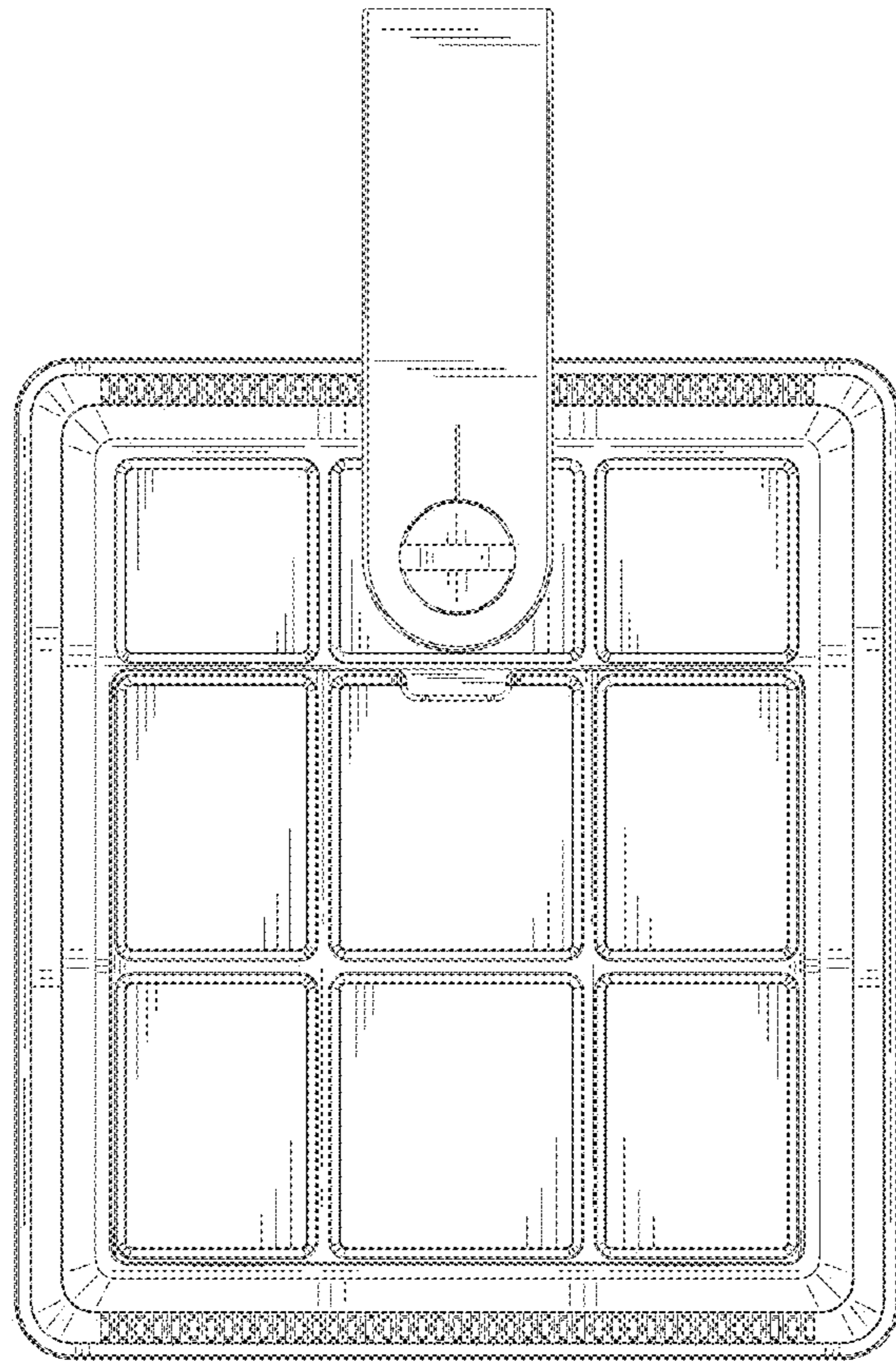


FIG. 5

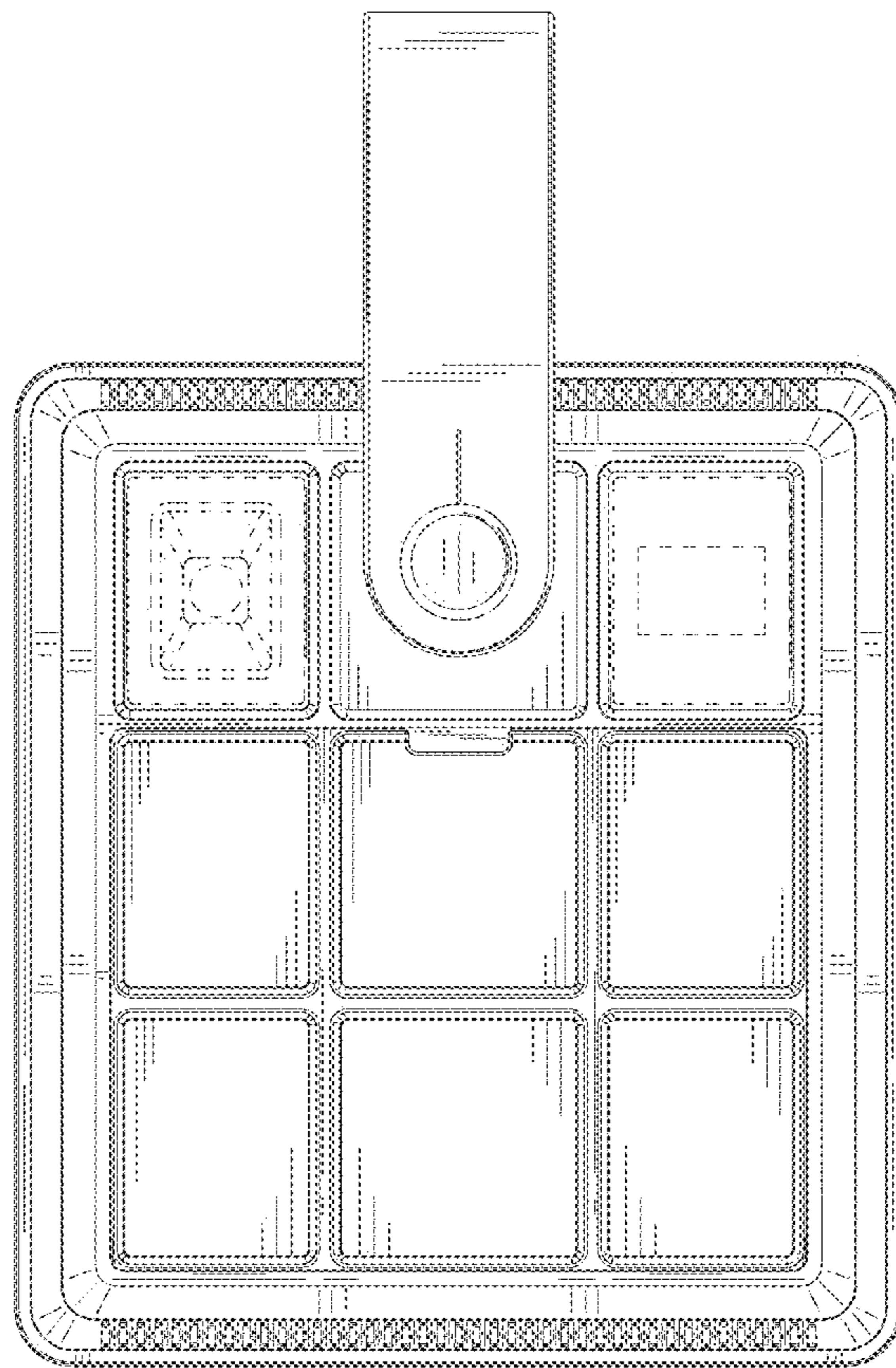


FIG. 6

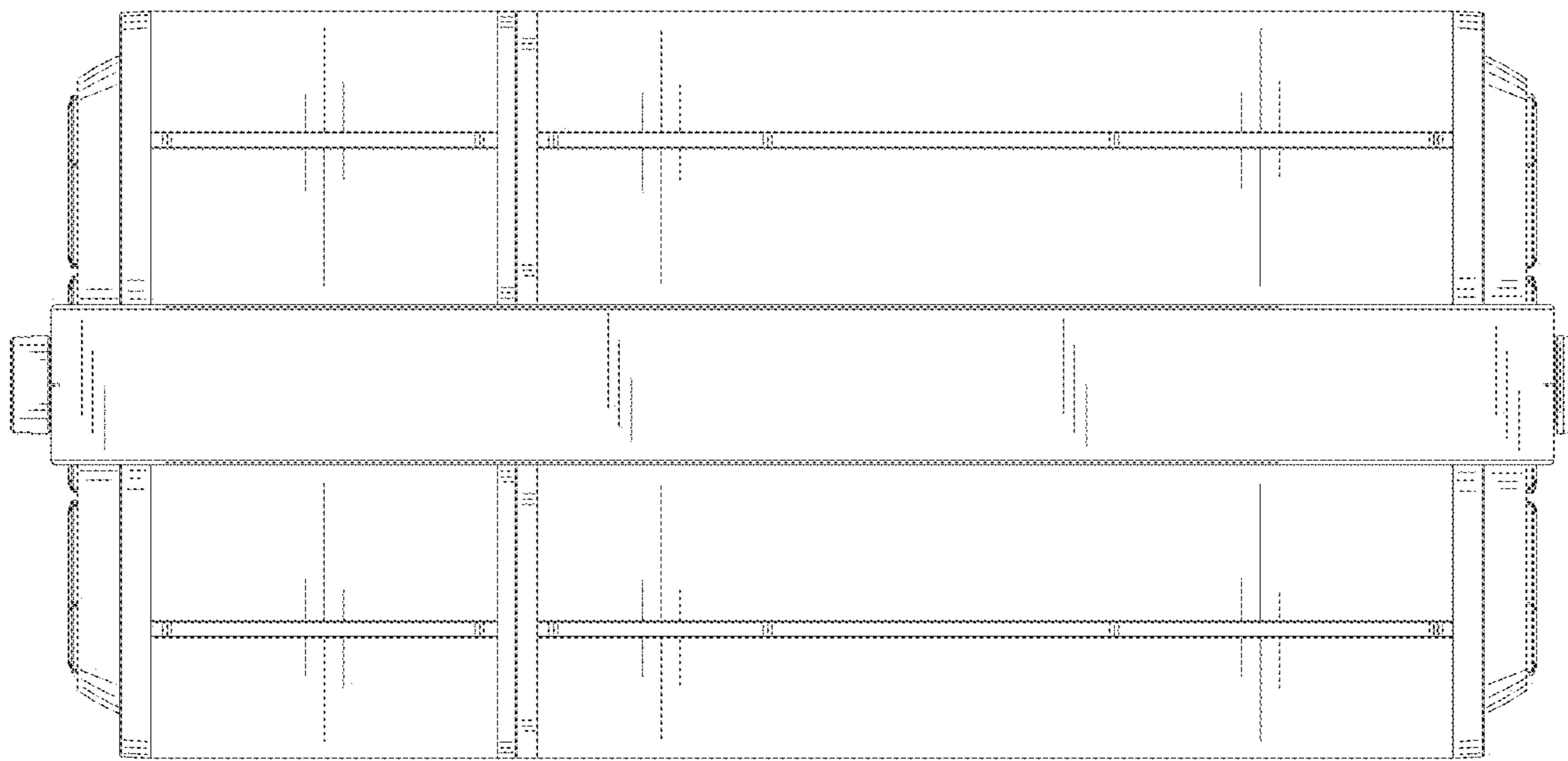


FIG. 7

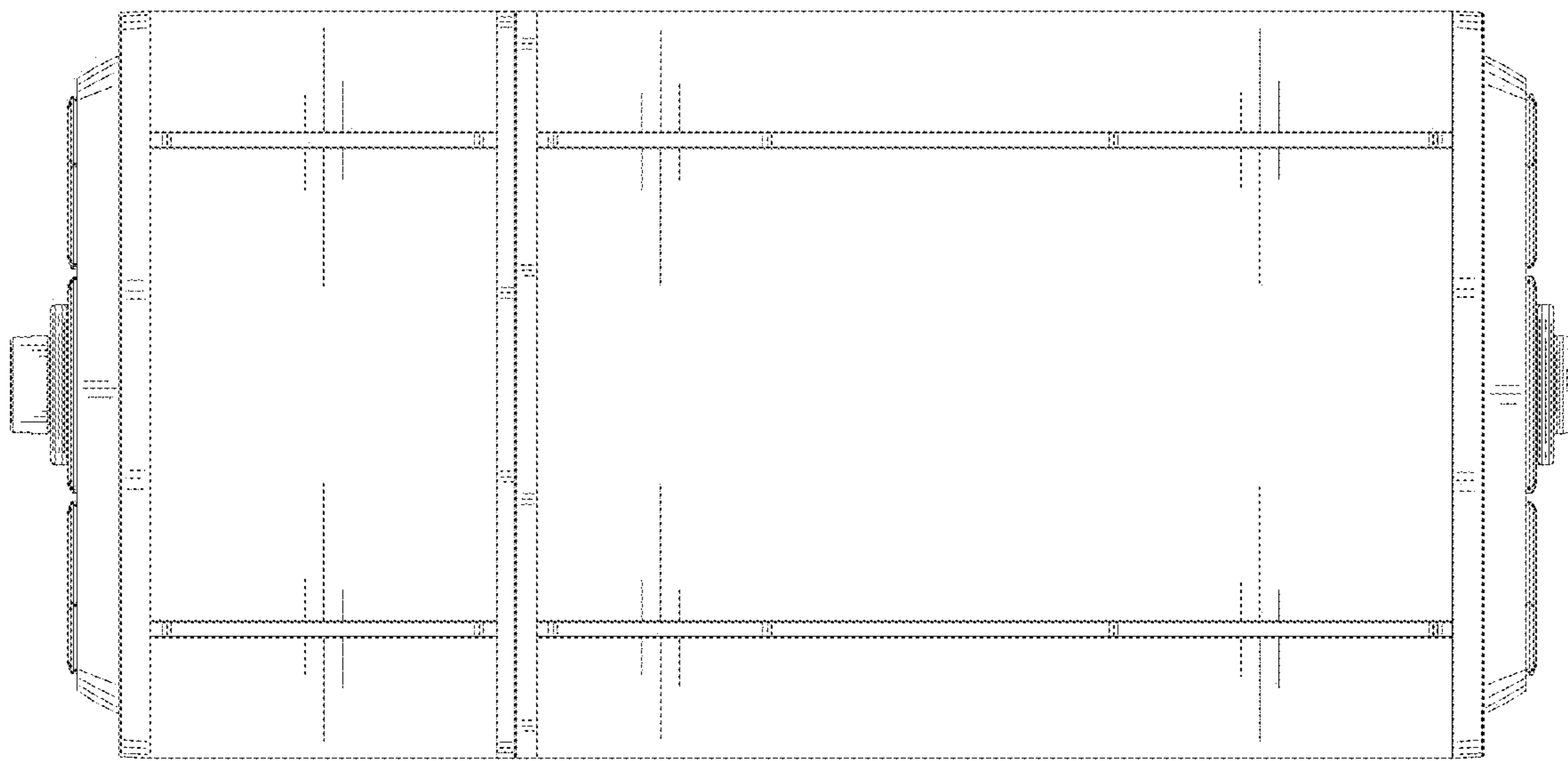


FIG. 8

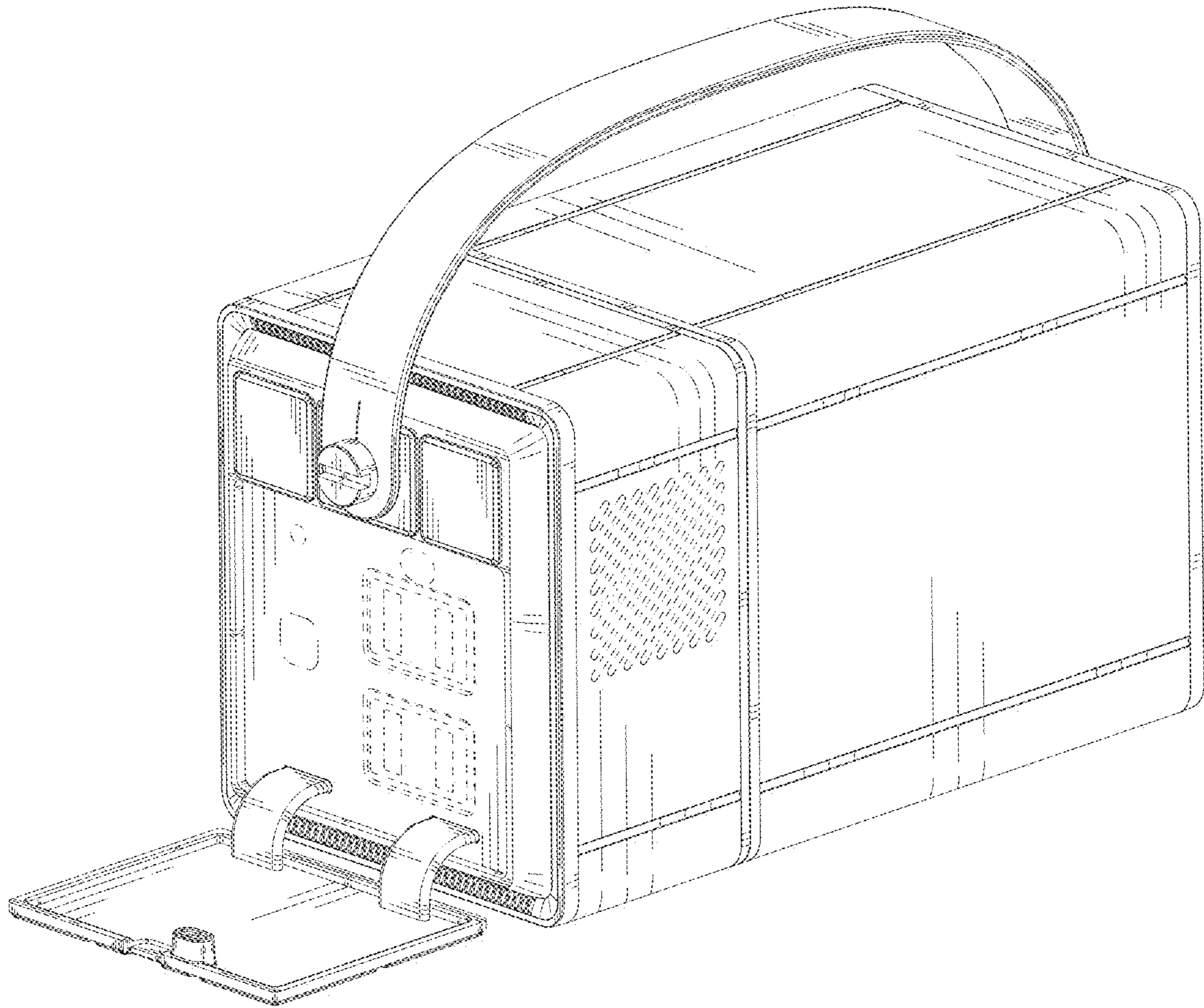


FIG. 9

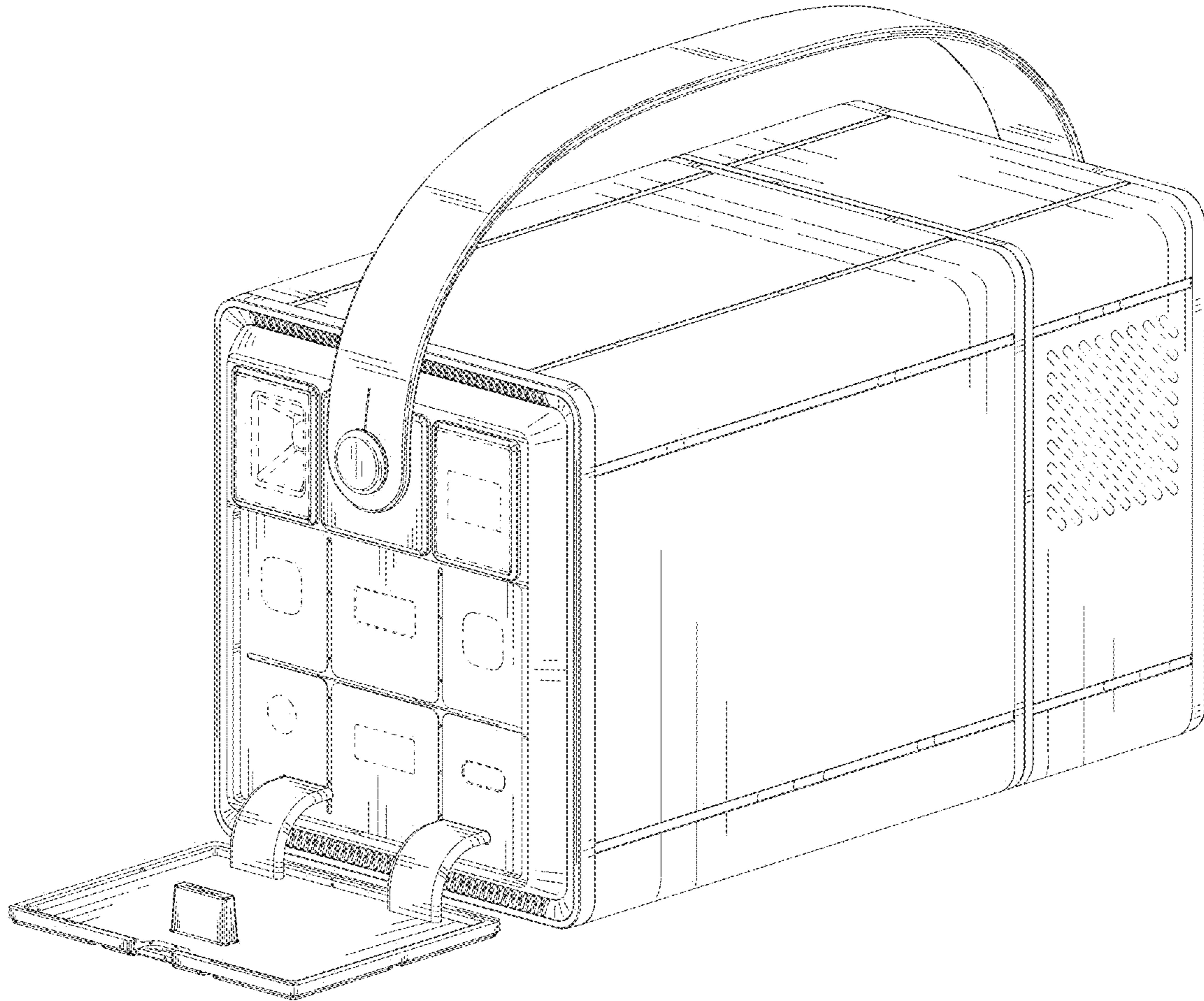


FIG. 10

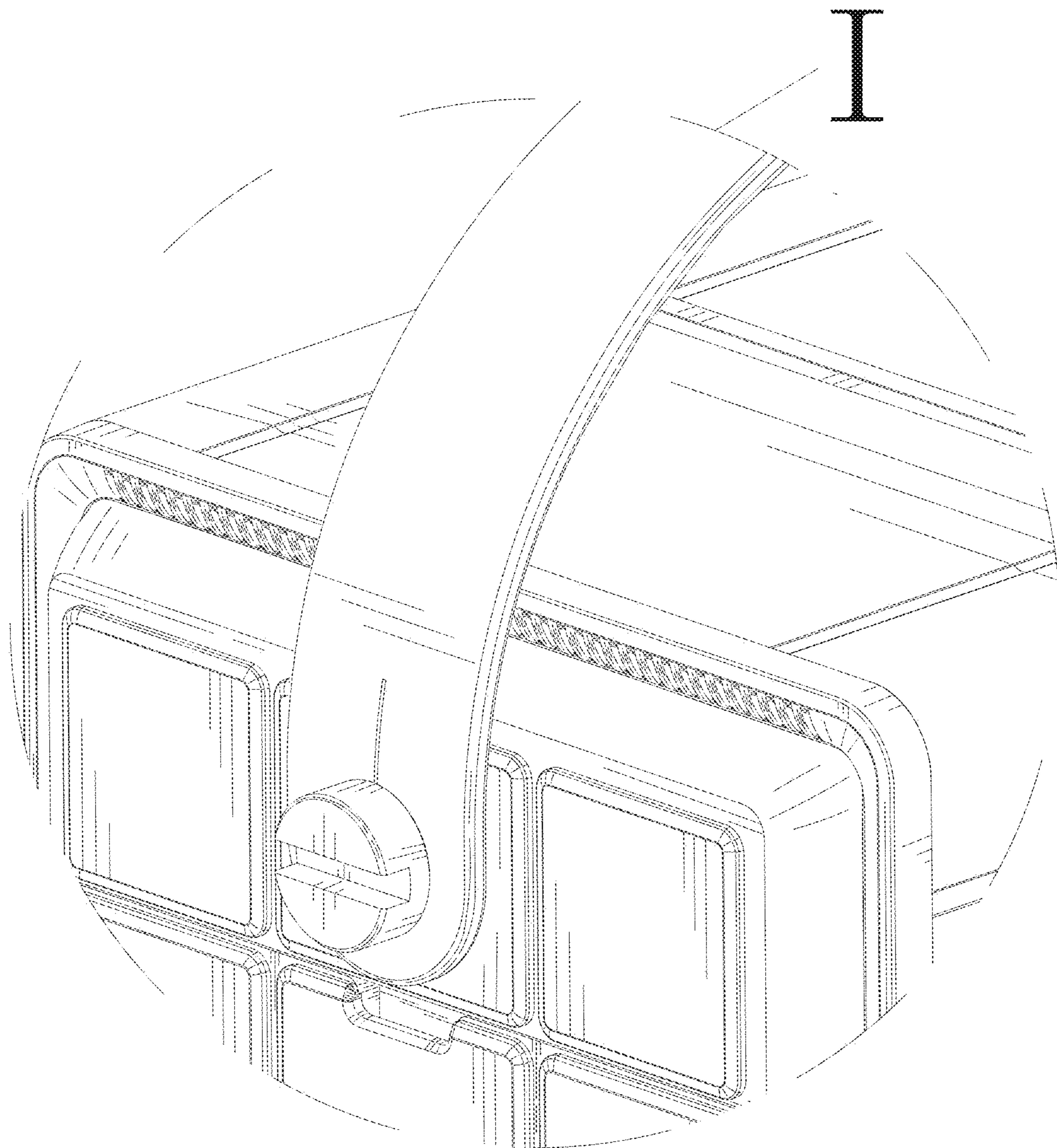


FIG. 11

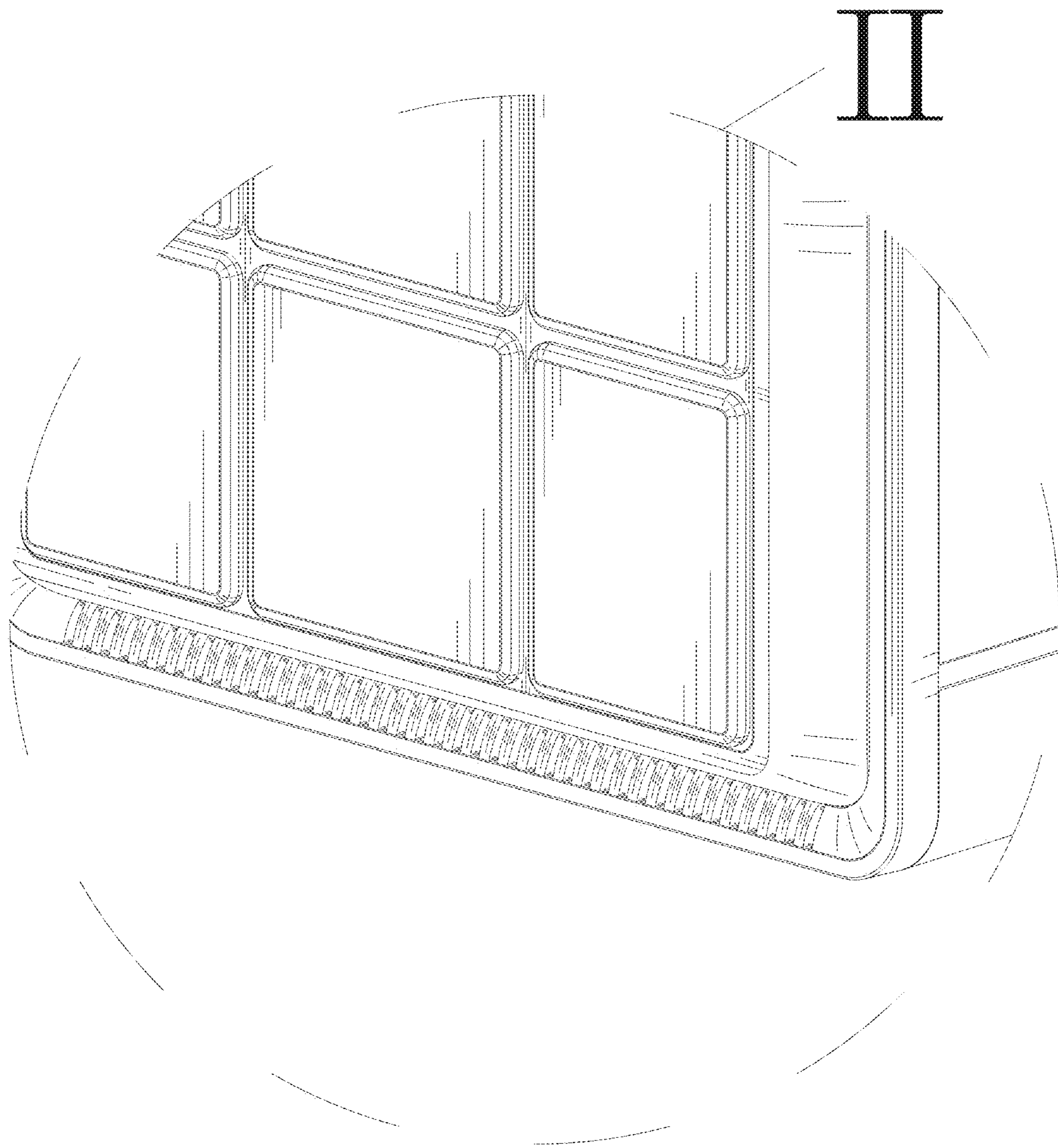


FIG. 12