



(12) **United States Design Patent**
Yoneyama et al.

(10) **Patent No.:** **US D933,601 S**
(45) **Date of Patent:** **** Oct. 19, 2021**

(54) **BATTERY CHARGER FOR EARPHONE**

(71) Applicant: **Audio-Technica Corporation**, Tokyo (JP)

(72) Inventors: **Daisuke Yoneyama**, Kanagawa (JP); **Takashi Nara**, Kanagawa (JP); **Naoto Nakamura**, Stockholm (SE)

(73) Assignee: **AUDIO-TECHNICA CORPORATION**, Tokyo (JP)

(**) Term: **15 Years**

(21) Appl. No.: **29/742,163**

(22) Filed: **Mar. 4, 2020**

(30) **Foreign Application Priority Data**

Sep. 5, 2019 (JP) 2019-019885

(51) **LOC (13) Cl.** **13-02**

(52) **U.S. Cl.**
USPC **D13/108**

(58) **Field of Classification Search**
USPC D13/107-110, 118, 119, 184, 199;
D3/273, 294; D14/223

(Continued)

(56) **References Cited**

U.S. PATENT DOCUMENTS

D553,077 S * 10/2007 Kim D13/108

D586,557 S * 2/2009 Jalet D3/294

(Continued)

Primary Examiner — Christy Nemeth

(74) *Attorney, Agent, or Firm* — W&C IP

(57) **CLAIM**

The ornamental design for a battery charger for earphone, as shown and described.

DESCRIPTION

FIG. 1 is a perspective view of a battery charger for earphone;

FIG. 2 is a front elevational view of the battery charger for earphone;

FIG. 3 is a rear elevational view of the battery charger for earphone;

FIG. 4 is a top plan view of the battery charger for earphone;

FIG. 5 is a bottom plan view of the battery charger for earphone;

FIG. 6 is a right side elevational view of the battery charger for earphone;

FIG. 7 is a left side elevational view of the battery charger for earphone;

FIG. 8 is a sectional view of the battery charger for earphone taken along line 8-8 of FIG. 2;

FIG. 9 is a perspective view of the battery charger for earphone showing a state in which the lid is opened;

FIG. 10 is a front elevational view of the battery charger for earphone showing a state in which the lid is opened;

FIG. 11 is a rear elevational view of the battery charger for earphone showing a state in which the lid is opened;

FIG. 12 is a top plan view of the battery charger for earphone showing a state in which the lid is opened;

FIG. 13 is a bottom plan view of the battery charger for earphone showing a state in which the lid is opened;

FIG. 14 is a right side elevational view of the battery charger for earphone showing a state in which the lid is opened;

FIG. 15 is a left side elevational view of the battery charger for earphone showing a state in which the lid is opened;

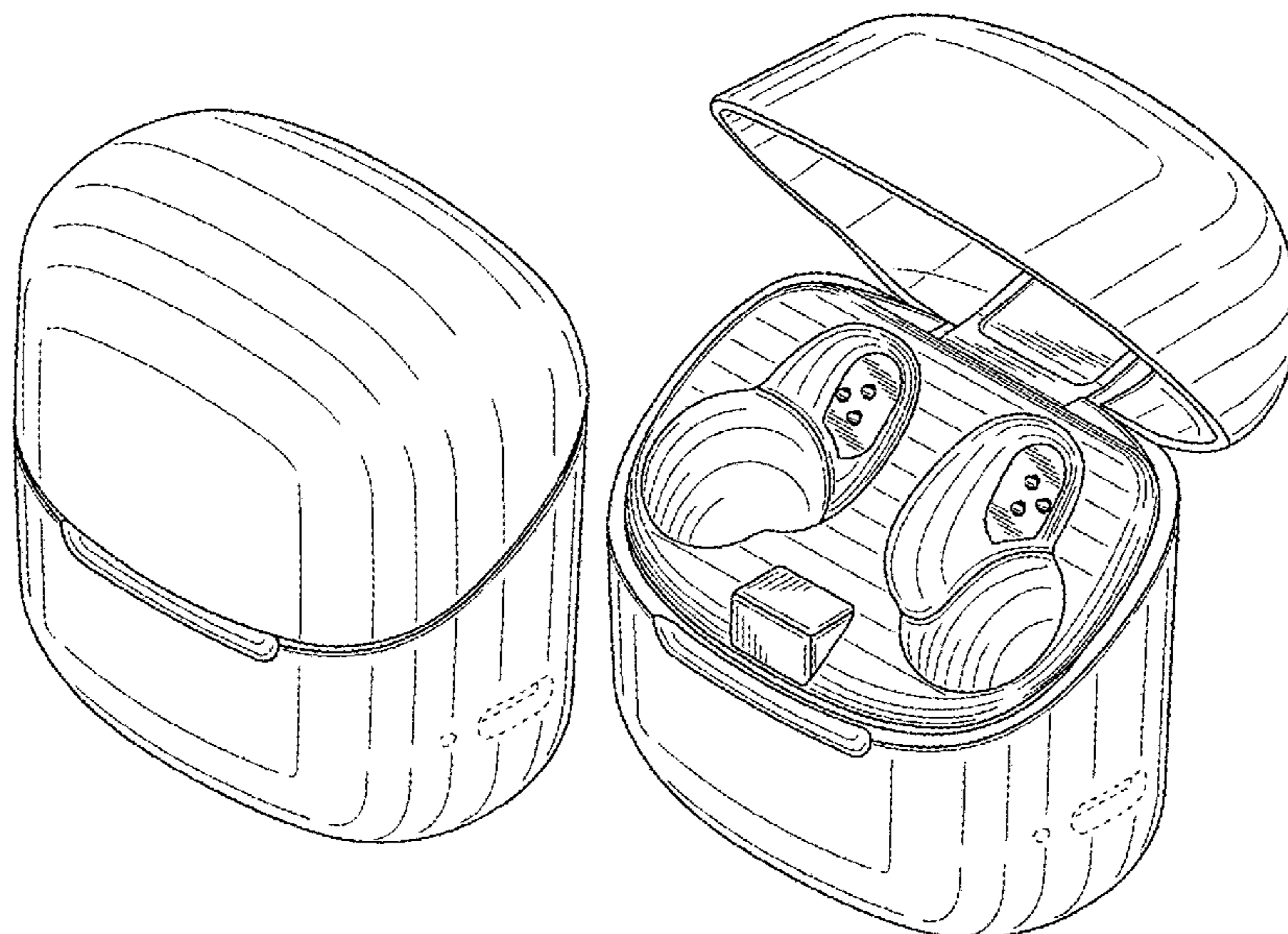
FIG. 16 is a sectional view of the battery charger for earphone taken along line 16-16 of FIG. 10;

FIG. 17 is a sectional view of the battery charger for earphone taken along line 17-17 of FIG. 14; and,

FIG. 18 is a reference perspective view of the battery charger for earphone showing a state of use.

Portions of the drawings shown in broken lines form no part of the claimed design.

1 Claim, 18 Drawing Sheets



- (58) **Field of Classification Search**
 CPC .. Y02E 60/12; H01R 13/6675; H01M 2/1022;
 H01M 2/1055; H01M 10/44; H01M
 10/46; H01M 10/425; H02J 2001/008;
 H02J 3/32; H02J 3/008; H02J 7/0027;
 H02J 7/0013; H02J 7/0054; H02J 7/00;
 B60R 16/03
 See application file for complete search history.

(56) **References Cited**

U.S. PATENT DOCUMENTS

D656,092 S * 3/2012 Nomi D13/107
 D656,093 S * 3/2012 Nomi D13/107
 D740,255 S * 10/2015 Samrelius D14/206
 D772,572 S * 11/2016 Palmborg D3/294
 D806,388 S * 1/2018 Akana D3/294
 D818,268 S * 5/2018 Akana D3/294
 D820,782 S * 6/2018 Wang D13/107
 D821,970 S * 7/2018 Loermann D13/107
 D823,246 S * 7/2018 Lin D13/108
 D826,152 S * 8/2018 Christiansen D13/108
 D829,213 S * 9/2018 Szeremeta D14/432
 D838,480 S * 1/2019 Son D3/294
 D841,580 S * 2/2019 Bao D13/108
 D841,581 S * 2/2019 Bonahoom D13/108
 D843,937 S * 3/2019 Xiao D13/108
 D846,264 S * 4/2019 Wu D3/201
 D849,401 S * 5/2019 Akana D3/274
 D850,365 S * 6/2019 Loermann D13/107
 D851,035 S * 6/2019 Hong D13/108
 D864,110 S * 10/2019 Yoshimura D13/108
 D864,165 S * 10/2019 Roberts D14/223
 D865,663 S * 11/2019 Yao D13/108
 D870,451 S * 12/2019 Birger D3/201
 D873,217 S * 1/2020 Zhang D13/108
 D881,572 S * 4/2020 Wang D3/294
 D881,810 S * 4/2020 Zhang D13/108
 D882,262 S * 4/2020 Zhang D3/294
 D883,960 S * 5/2020 Du D14/223
 D884,614 S * 5/2020 Natsume D13/108
 D886,453 S * 6/2020 Wright D3/294
 D886,454 S * 6/2020 Williamson D3/294
 D886,455 S * 6/2020 Williamson D3/294
 D887,351 S * 6/2020 Bonahoom D13/108
 D888,408 S * 6/2020 Lee D3/201
 D888,662 S * 6/2020 Cramer D13/108
 D888,664 S * 6/2020 Ma D13/108
 D890,091 S * 7/2020 Cramer D13/108
 D890,138 S * 7/2020 Peng D14/223
 D890,696 S * 7/2020 Sweet D13/108
 D890,725 S * 7/2020 Liu D14/223
 D892,045 S * 8/2020 Zhang D13/108

D892,497 S * 8/2020 Wright D3/294
 D893,184 S * 8/2020 Liu D3/294
 D893,185 S * 8/2020 Liu D3/294
 D894,123 S * 8/2020 Xiong D13/108
 D895,582 S * 9/2020 Wu D14/223
 D897,678 S * 10/2020 Koh D3/294
 D897,997 S * 10/2020 Zhang D14/223
 D898,664 S * 10/2020 Bhutani D13/108
 D901,177 S * 11/2020 Wei D3/294
 D901,377 S * 11/2020 Zhou D13/108
 D901,382 S * 11/2020 Zhang D13/108
 D902,150 S * 11/2020 Sun D13/108
 D902,588 S * 11/2020 Zhang D3/294
 D902,589 S * 11/2020 Li D3/295
 D902,856 S * 11/2020 Klein D13/108
 D904,025 S * 12/2020 Ma D3/295
 D904,295 S * 12/2020 Cai D13/108
 D904,761 S * 12/2020 Koneru D3/274
 D904,762 S * 12/2020 Koneru D3/274
 D904,763 S * 12/2020 Koneru D3/274
 D904,977 S * 12/2020 Deng D13/108
 D905,019 S * 12/2020 Liu D14/223
 D905,430 S * 12/2020 Kwak D3/273
 D906,238 S * 12/2020 Zhang D13/108
 D906,297 S * 12/2020 Akana D14/223
 D906,299 S * 12/2020 Luo D14/223
 D907,009 S * 1/2021 Akana D14/223
 D907,011 S * 1/2021 Liu D14/223
 D907,363 S * 1/2021 Distefano D3/294
 D907,607 S * 1/2021 Deng D14/223
 D908,084 S * 1/2021 He D13/108
 D908,617 S * 1/2021 Briggs D13/108
 D908,667 S * 1/2021 He D14/223
 D910,553 S * 2/2021 Cramer D13/108
 D910,603 S * 2/2021 Li D14/223
 D911,027 S * 2/2021 Liang D3/274
 D911,028 S * 2/2021 Lee D3/294
 D911,274 S * 2/2021 Ding D13/108
 D911,944 S * 3/2021 Gao D13/108
 D911,945 S * 3/2021 Xian D13/108
 D911,958 S * 3/2021 Zeng D13/108
 D912,622 S * 3/2021 Zhou D13/108
 D913,223 S * 3/2021 Li D13/108
 D913,224 S * 3/2021 Kim D13/108
 D913,292 S * 3/2021 Brown D14/440
 D914,647 S * 3/2021 Yang D14/223
 D914,648 S * 3/2021 Zhou D14/223
 D914,652 S * 3/2021 Chen D14/223
 D918,138 S * 5/2021 Ma D13/108
 D920,235 S * 5/2021 Liu D13/108
 D920,236 S * 5/2021 Xie D13/108
 D921,582 S * 6/2021 Liu D13/108
 2020/0068285 A1 * 2/2020 Dang H04R 1/1016
 2020/0412143 A1 * 12/2020 Chang H04R 1/1025

* cited by examiner

FIG. 1

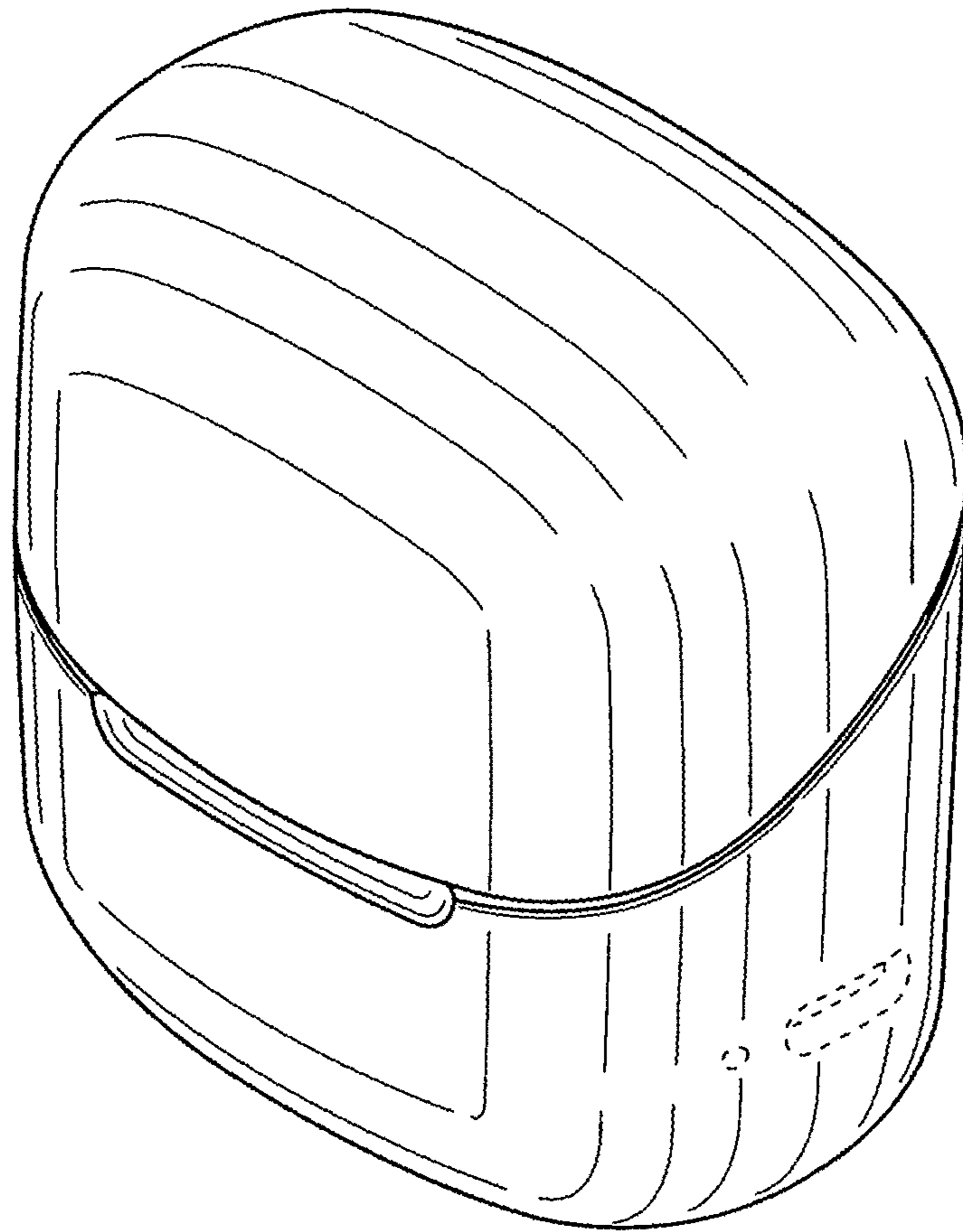


FIG. 2

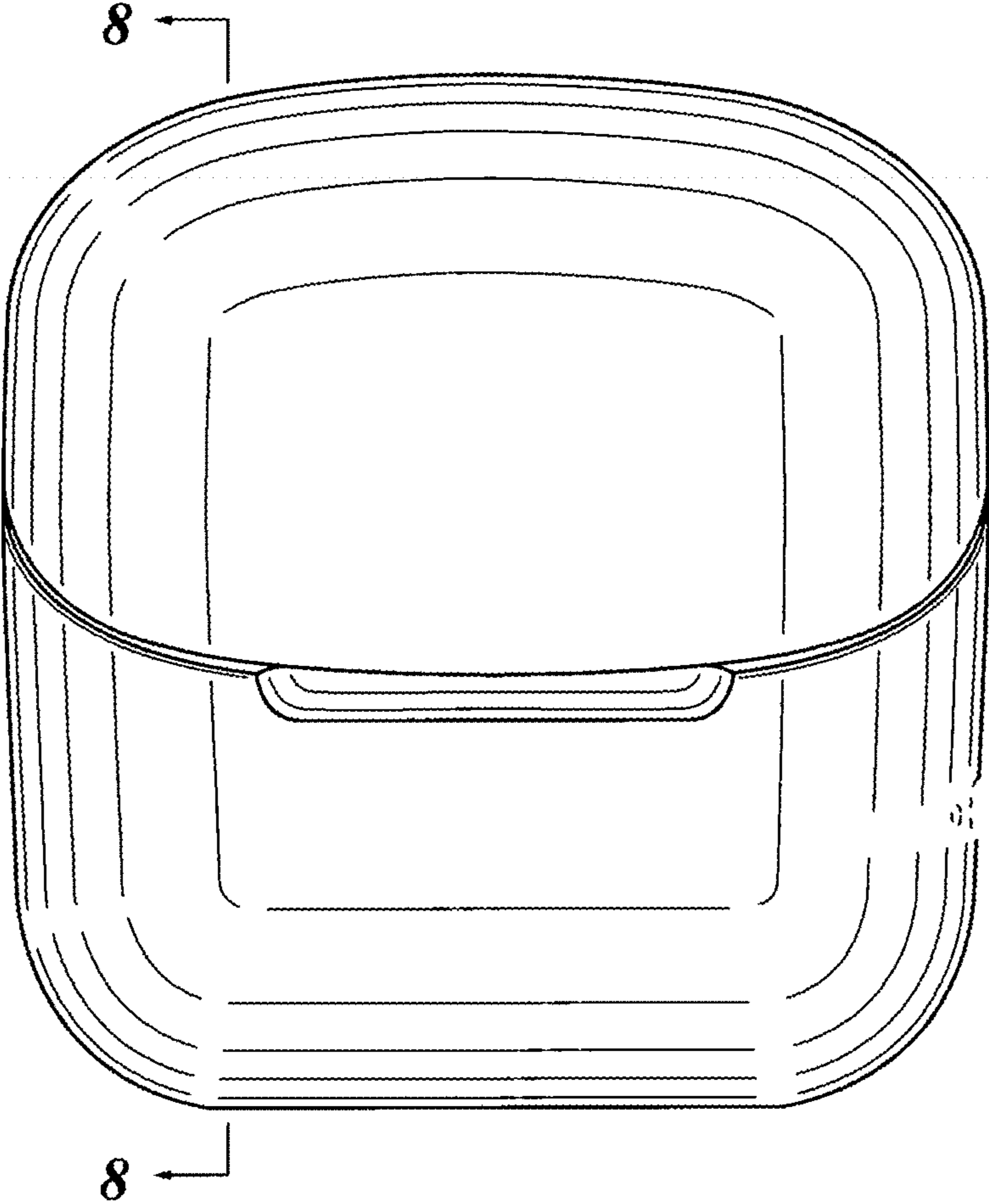


FIG. 3

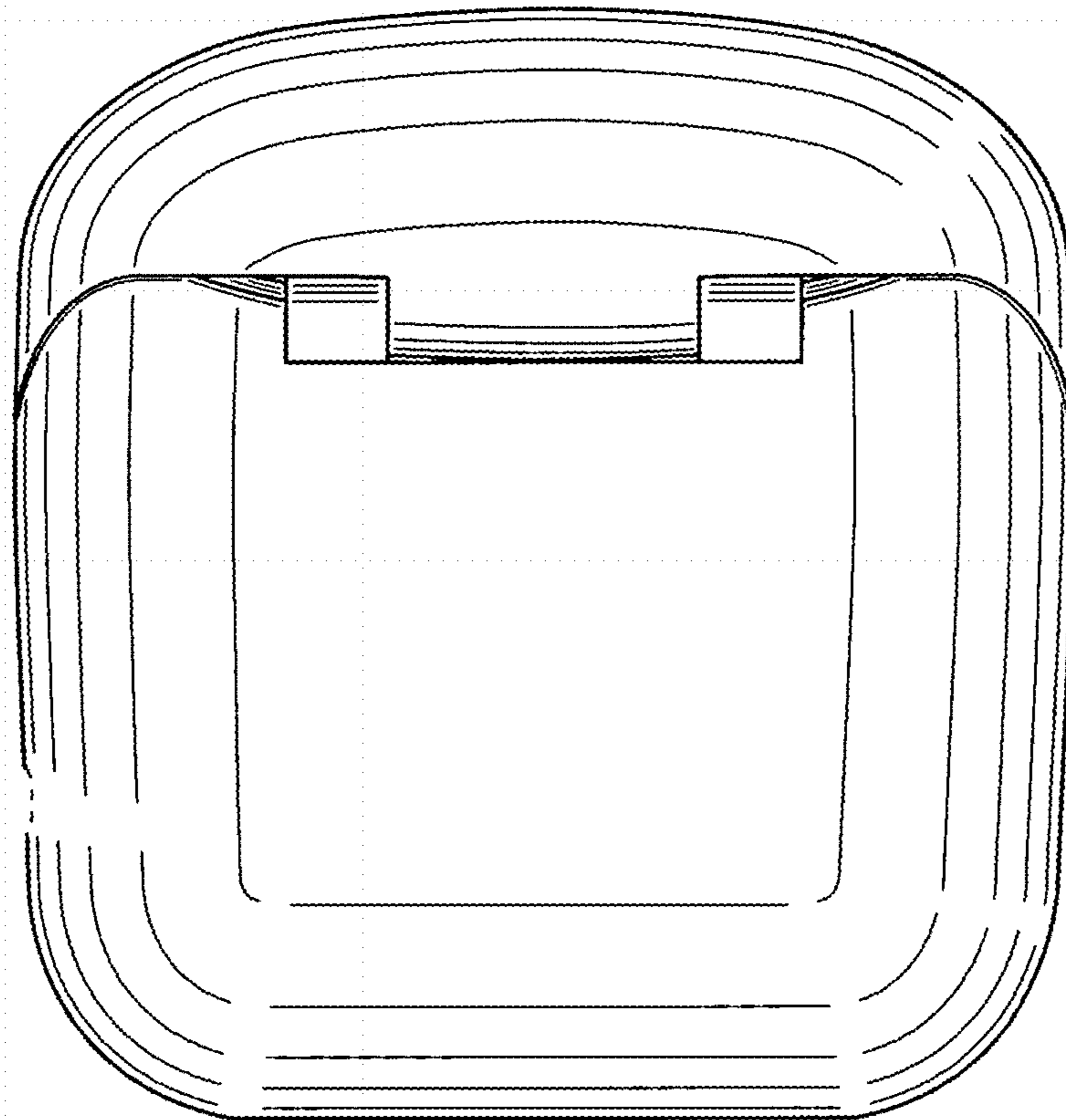


FIG. 4

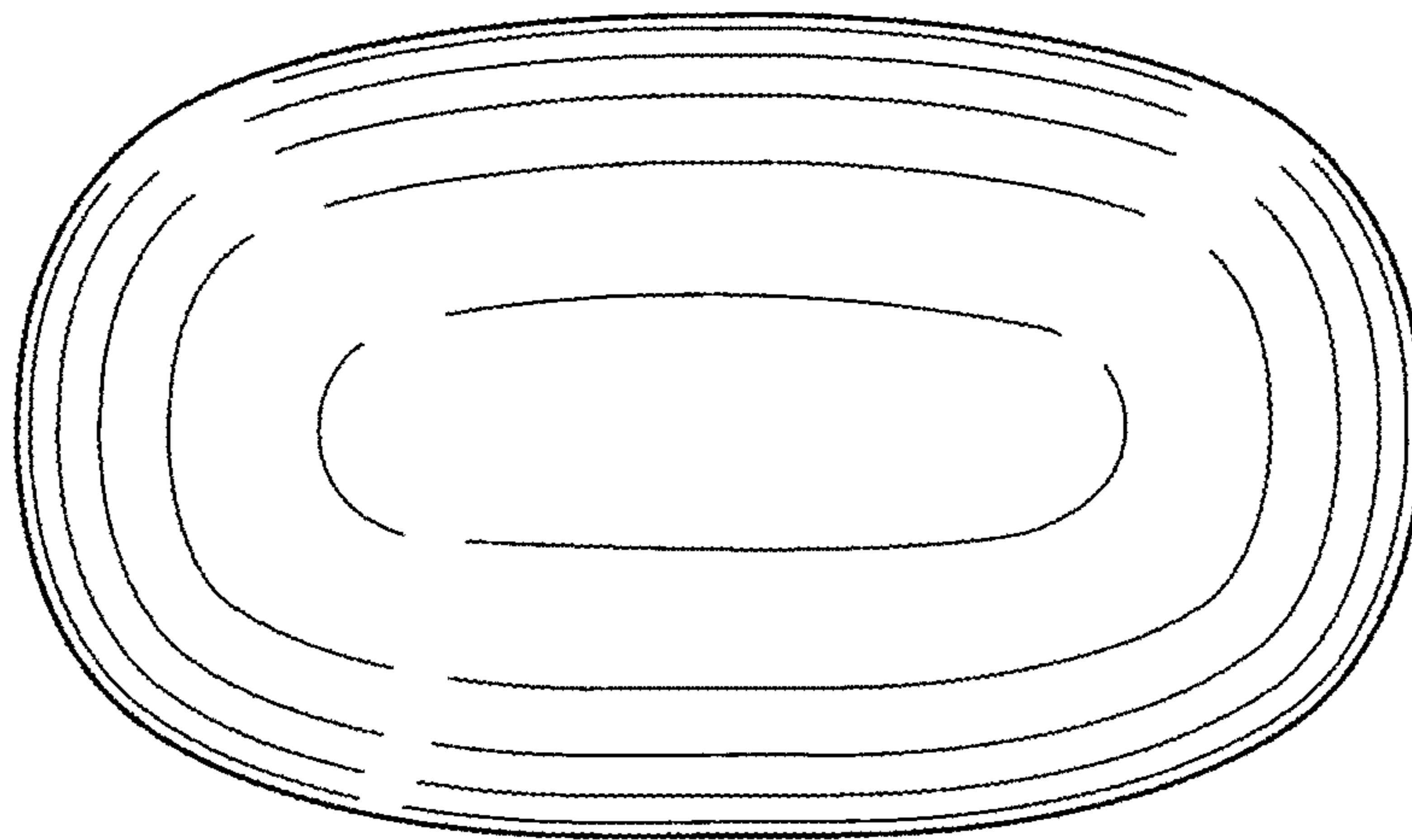


FIG. 5

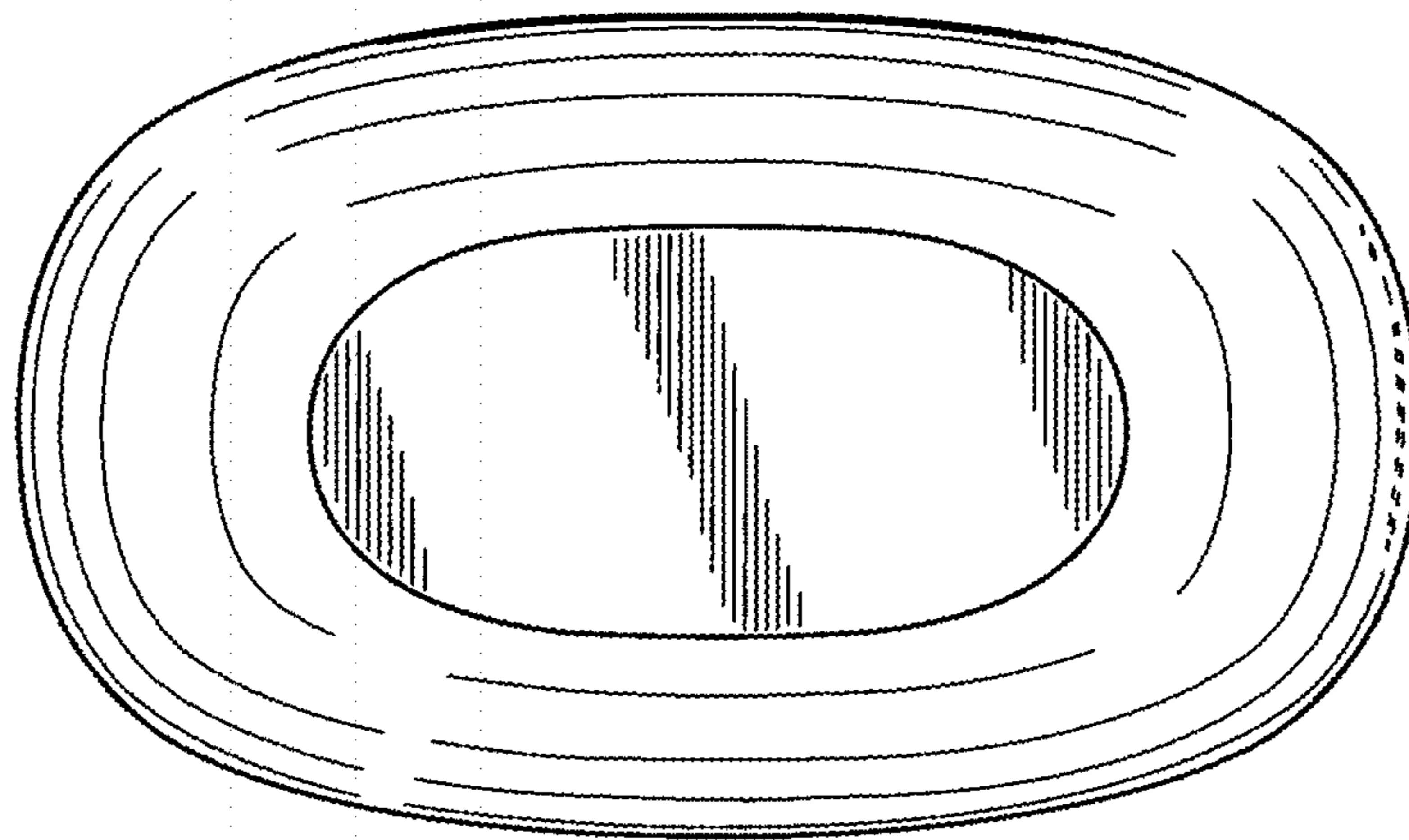


FIG. 6

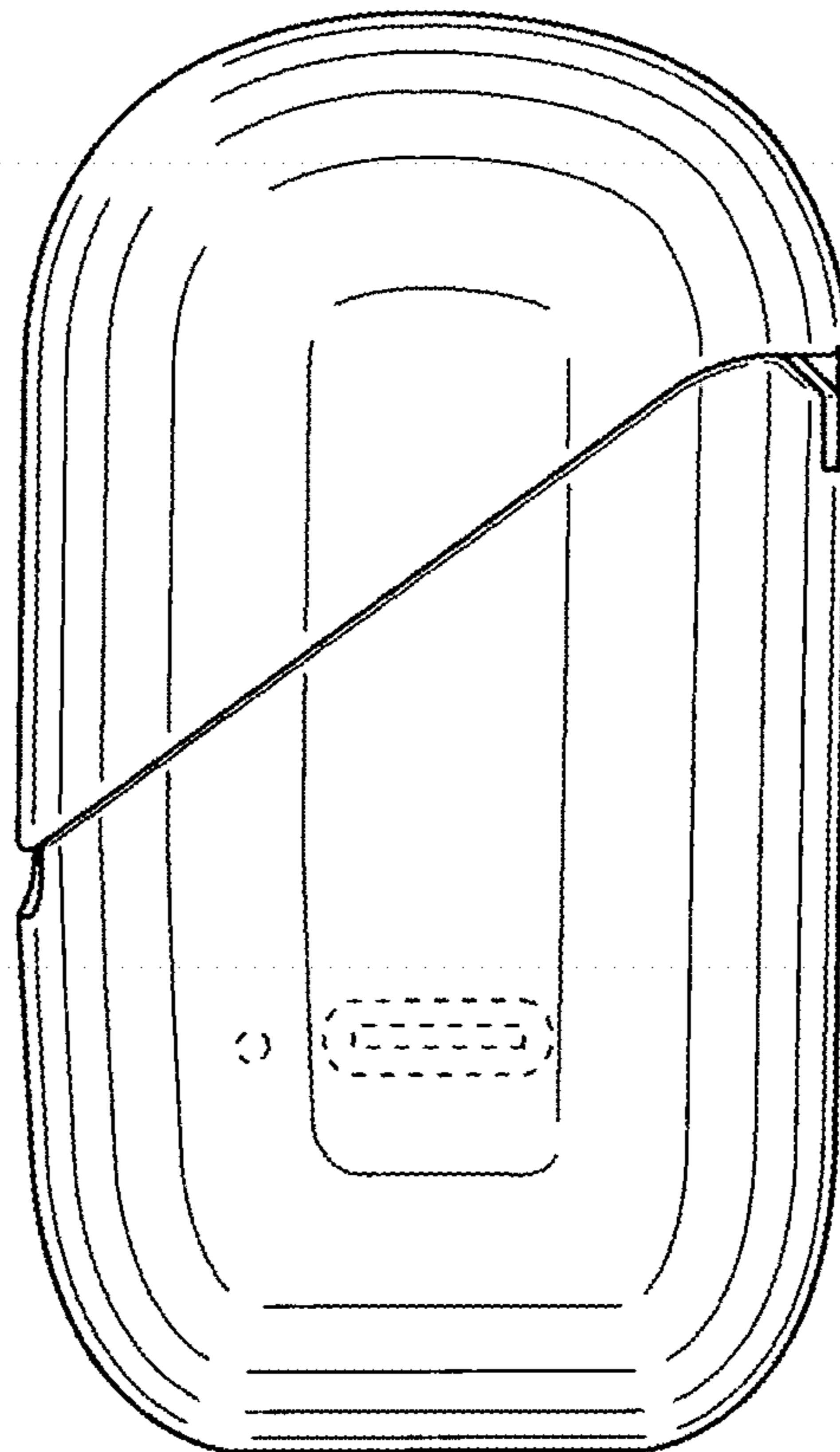


FIG. 7

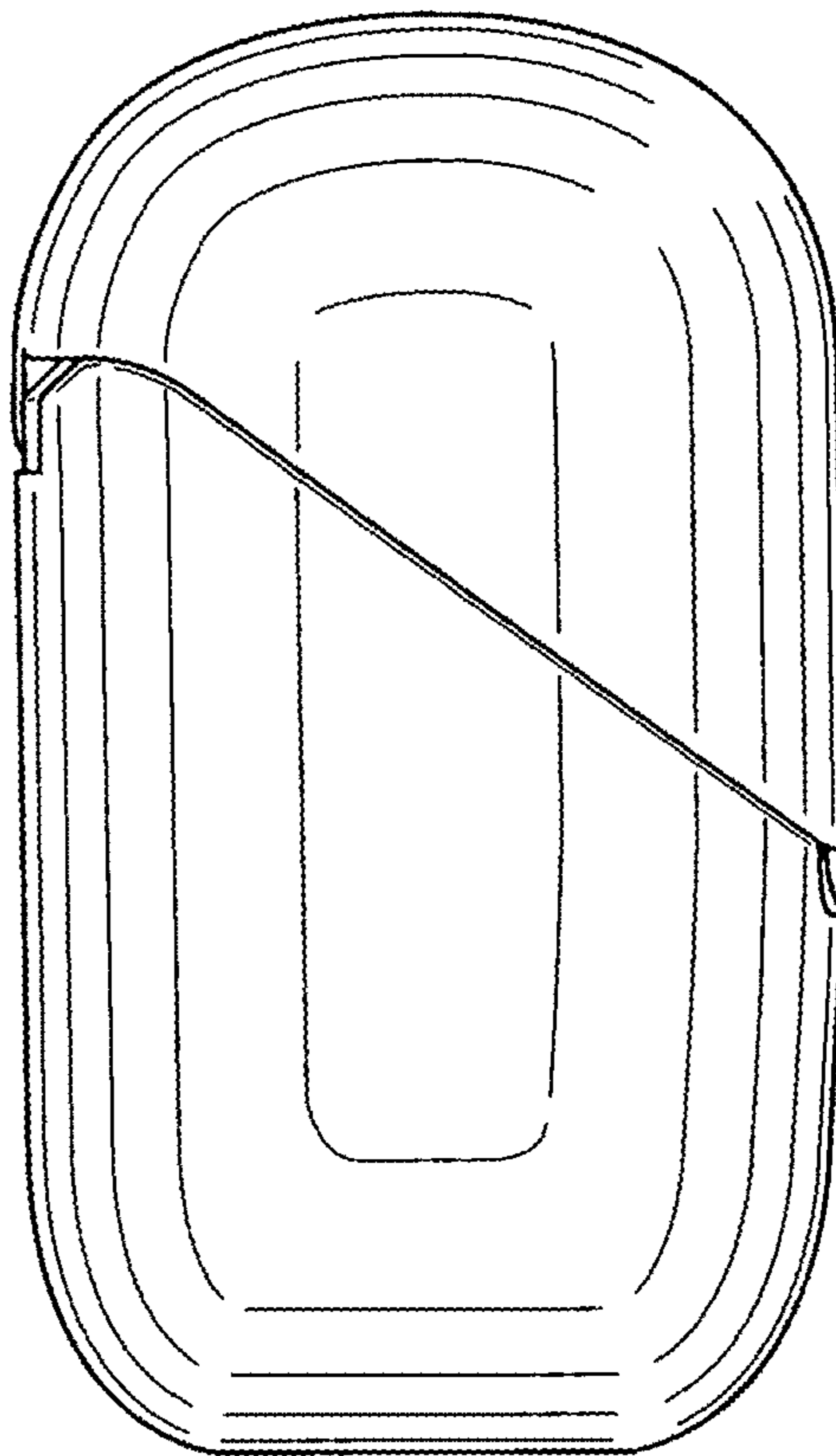


FIG. 8

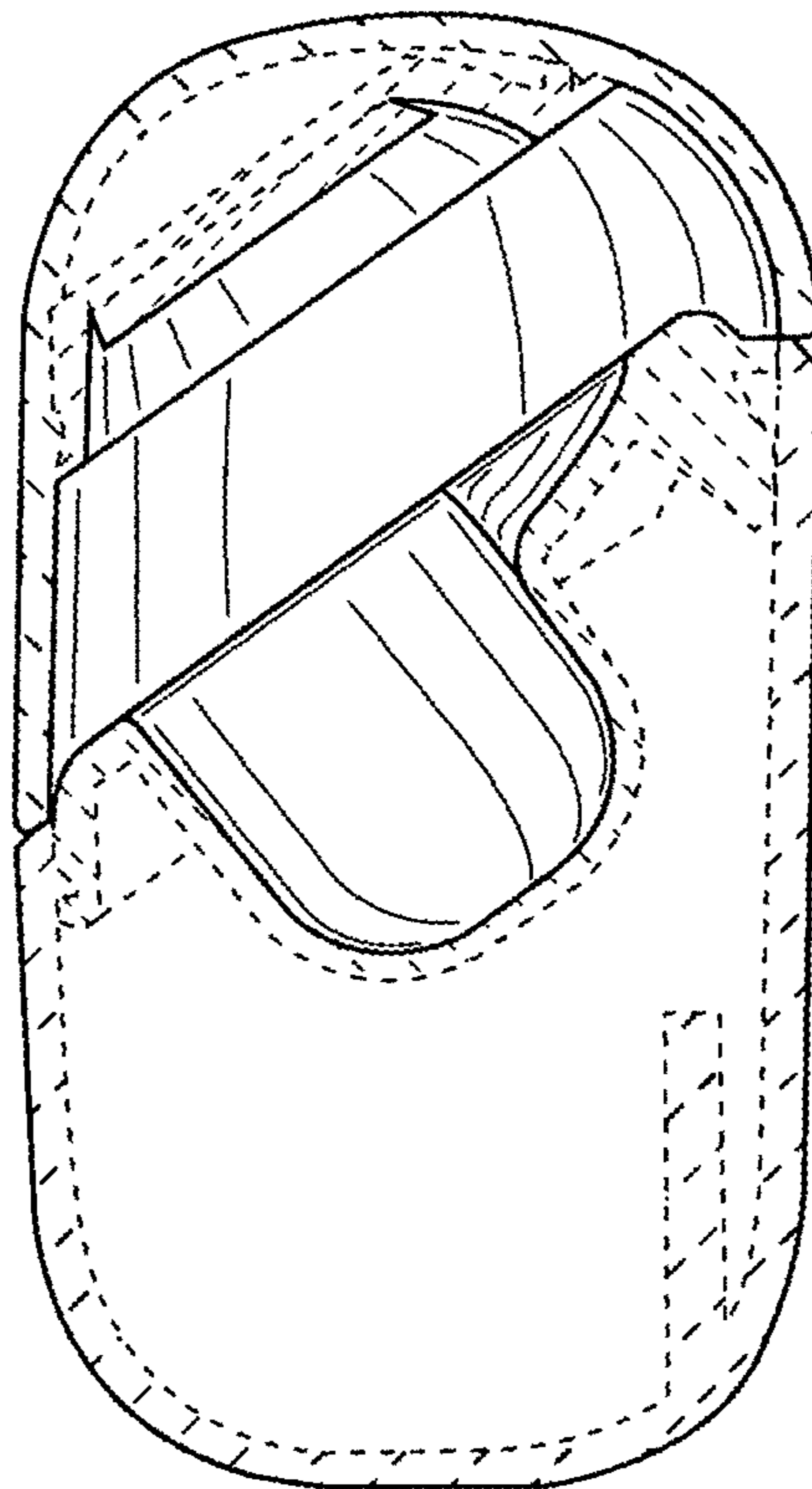


FIG. 9

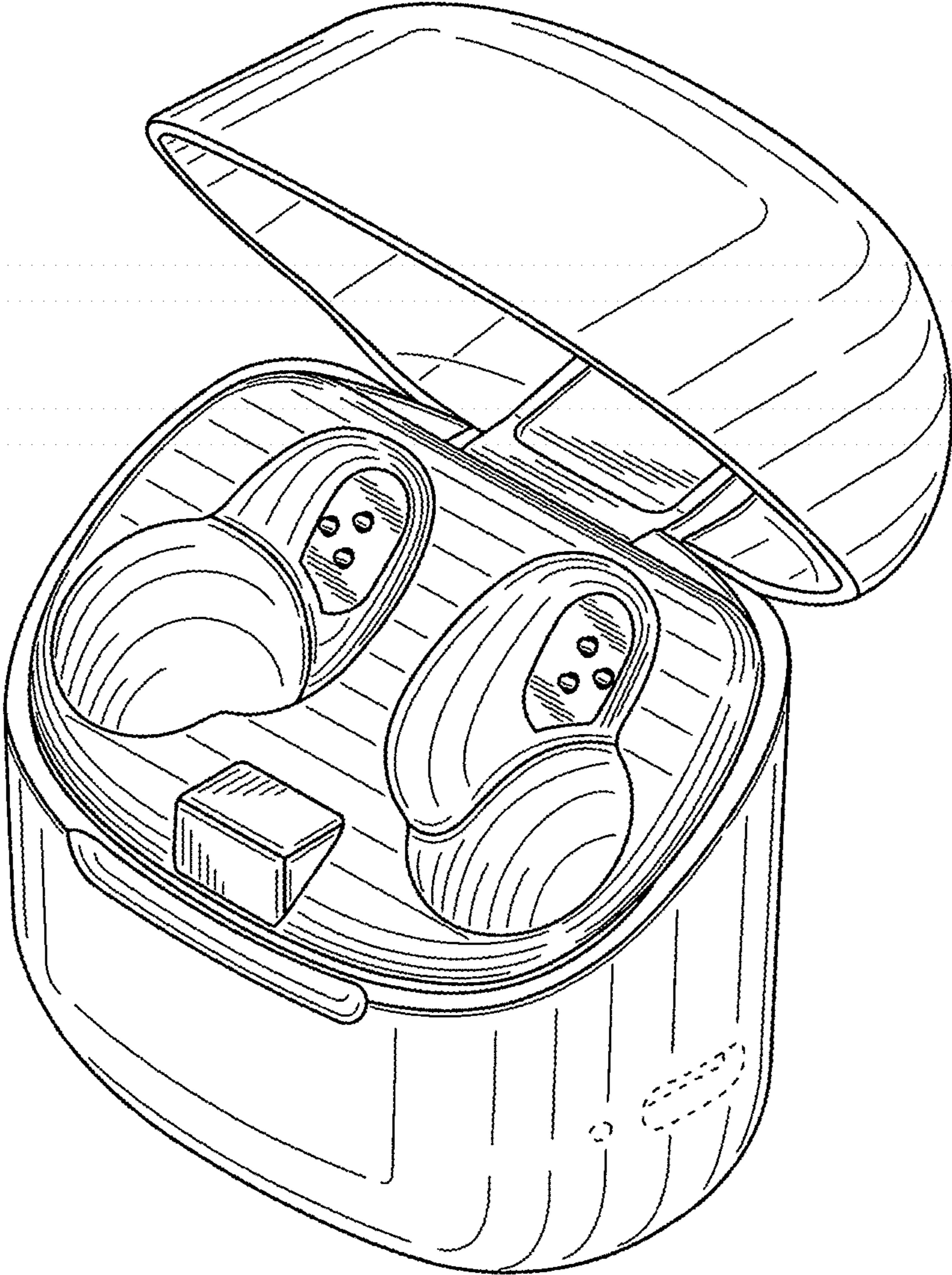


FIG. 10

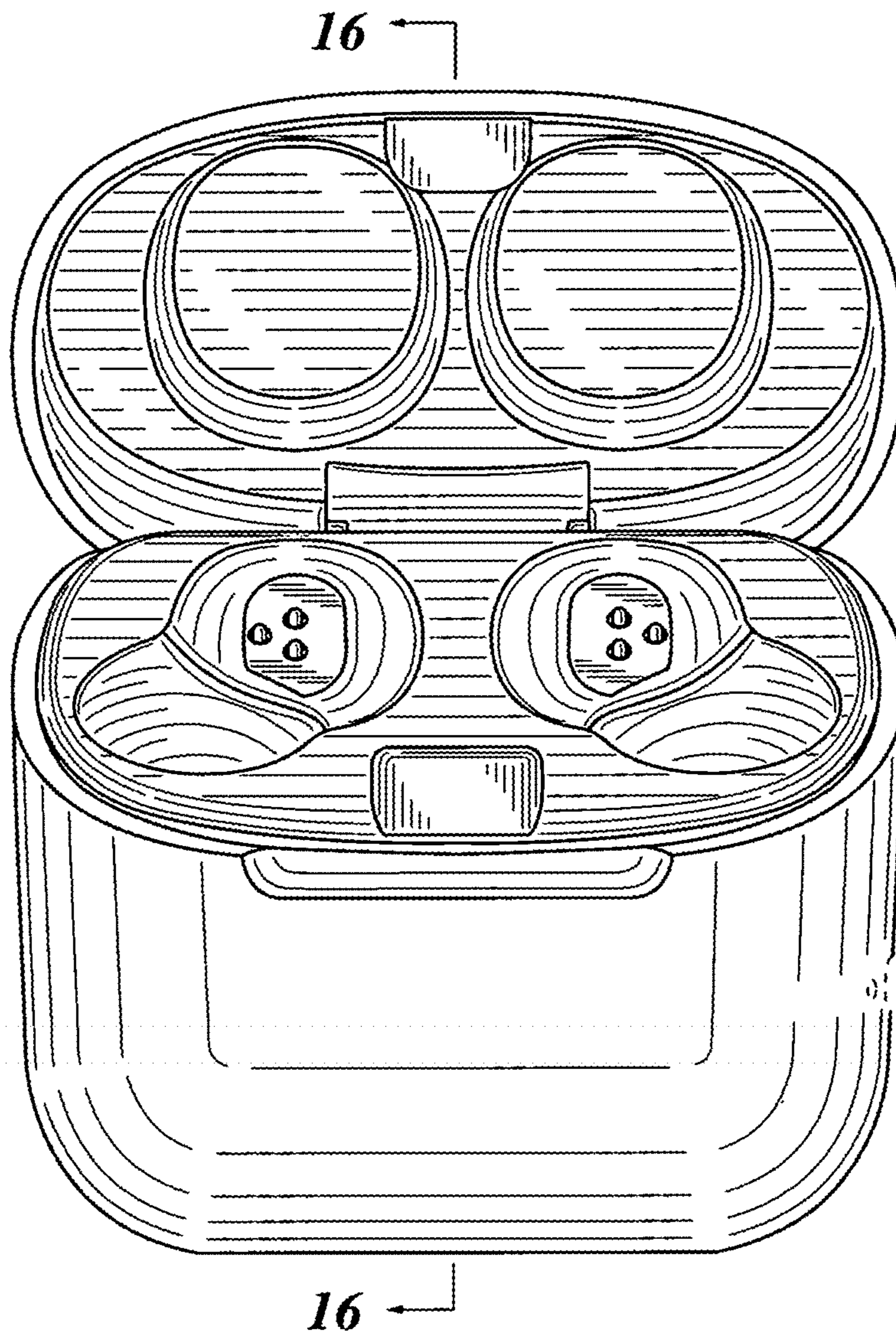


FIG. 11

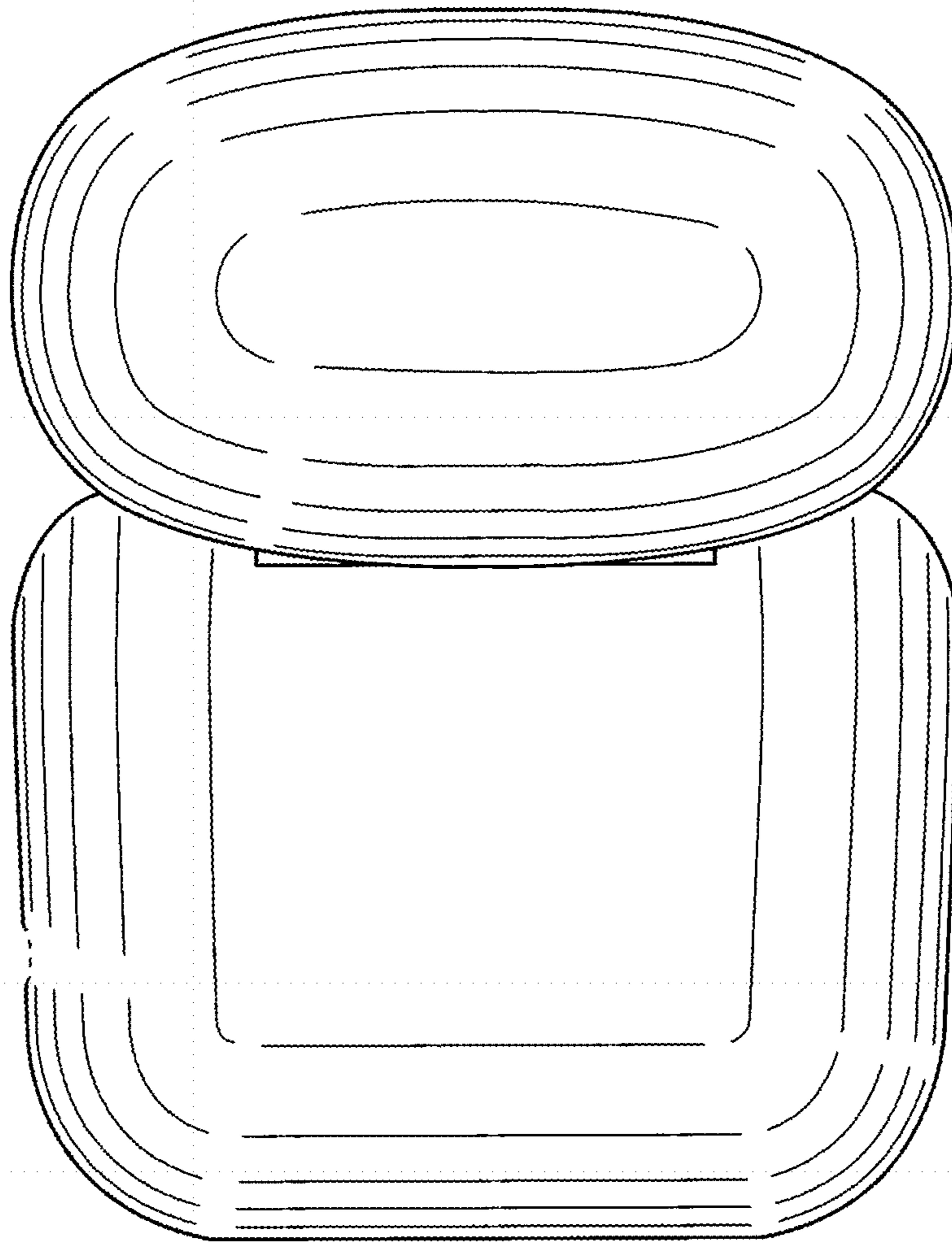


FIG. 12

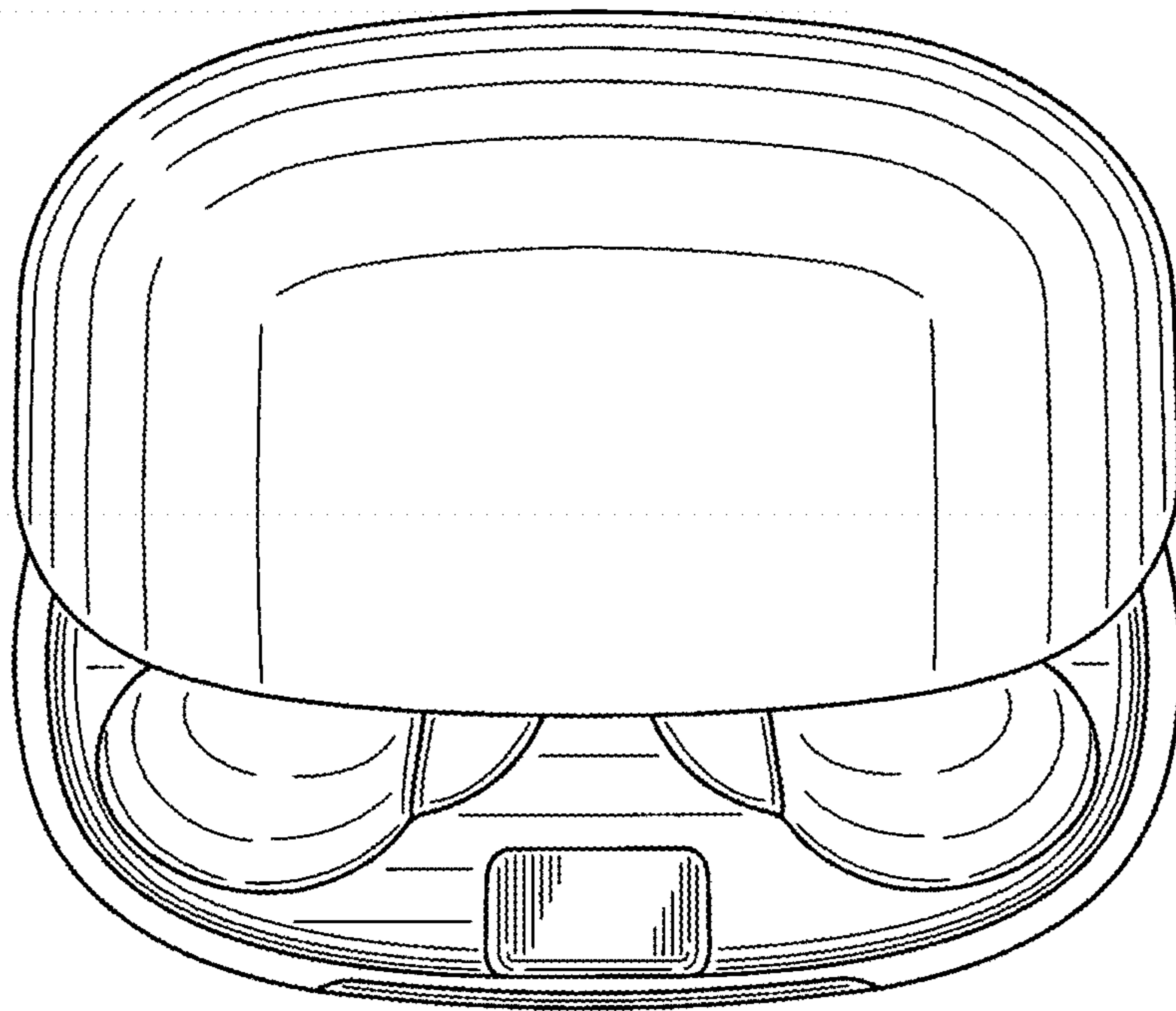


FIG. 13

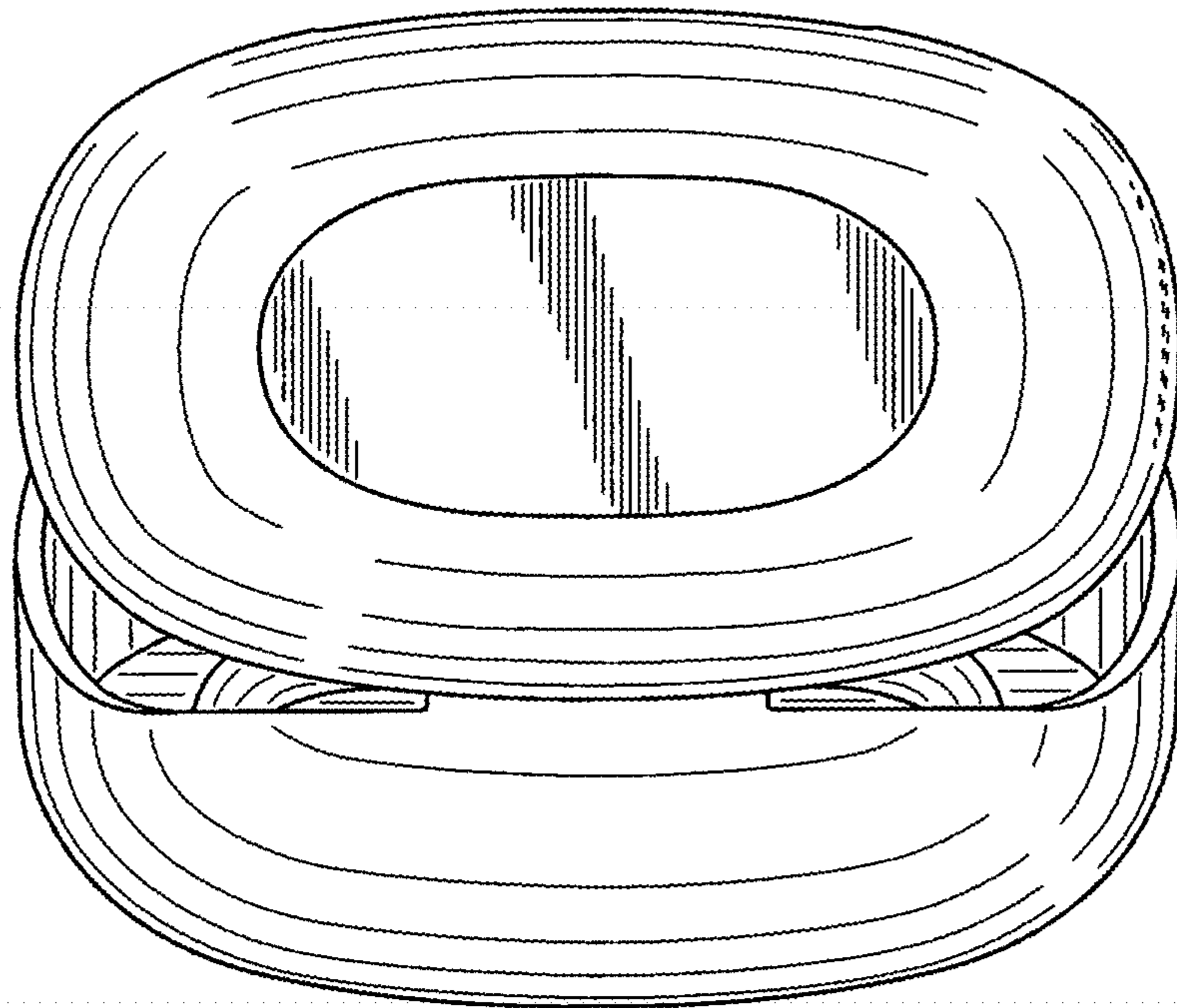


FIG. 14

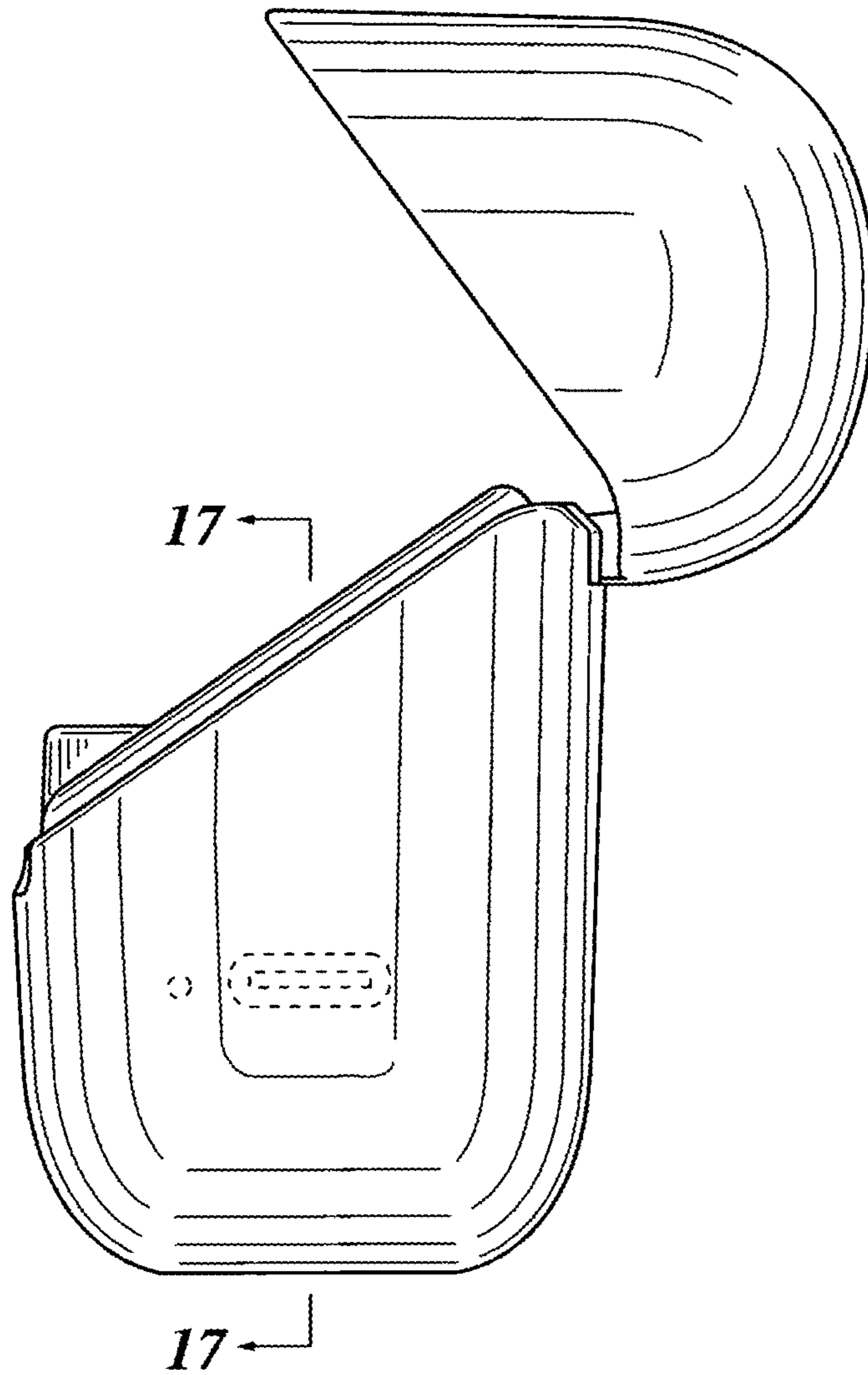


FIG. 15

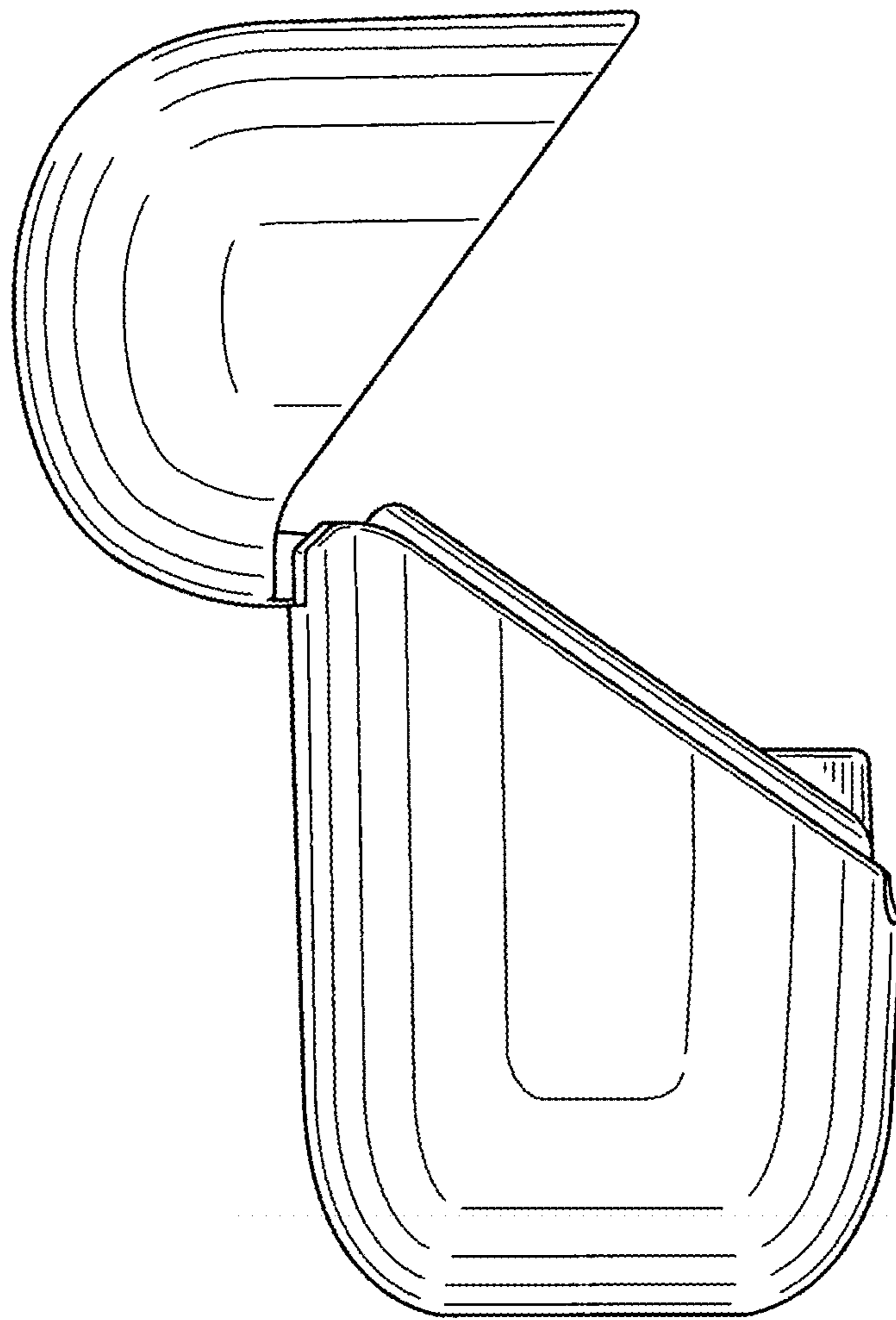


FIG. 16

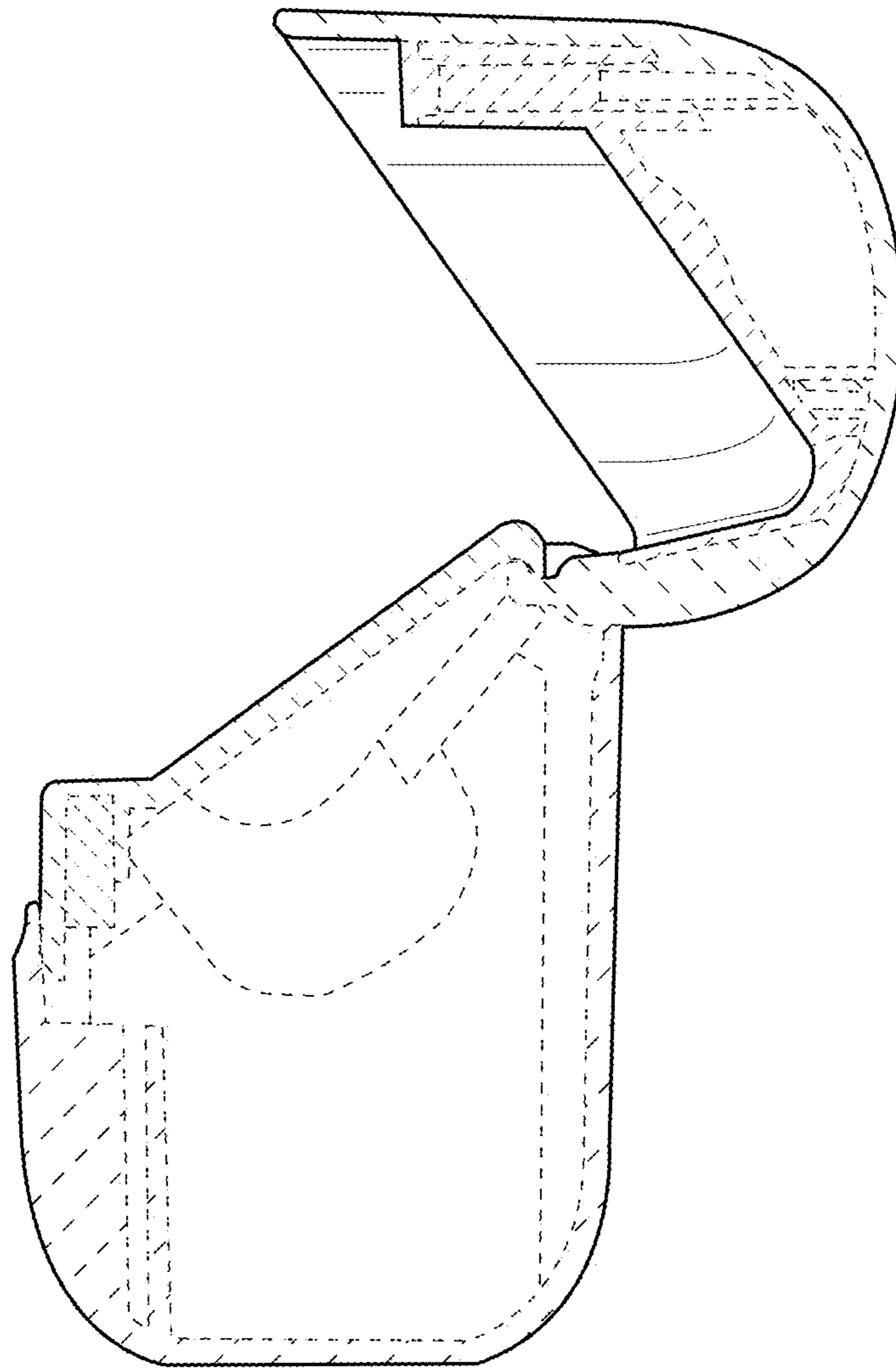


FIG. 17

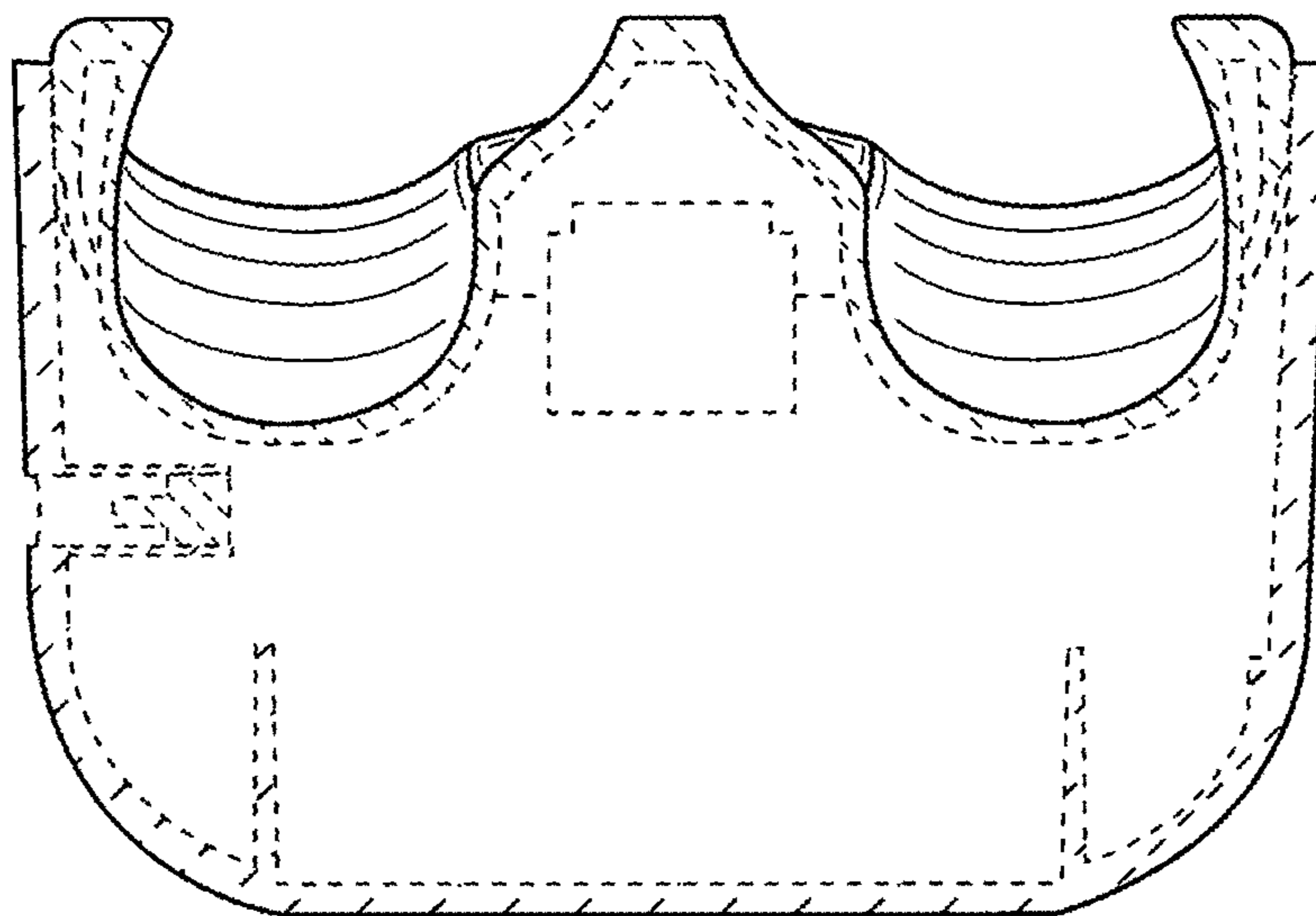


FIG. 18

