



US00D933599S

(12) **United States Design Patent** (10) **Patent No.:** **US D933,599 S**
Lee et al. (45) **Date of Patent:** **** Oct. 19, 2021**

(54) **COMBINATION UV SANITIZER AND CHARGER**

(71) Applicant: **JMTEK, LLC**, Kent, WA (US)

(72) Inventors: **Kyu Bong Lee**, Auburn, WA (US); **Tai Yiu Ly**, Kent, WA (US)

(73) Assignee: **JMTEK, LLC**, Kent, WA (US)

(**) Term: **15 Years**

(21) Appl. No.: **29/734,583**

(22) Filed: **May 13, 2020**

(51) **LOC (13) Cl.** **13-02**

(52) **U.S. Cl.**
USPC **D13/108; D24/217**

(58) **Field of Classification Search**
USPC D13/103, 107, 108, 109, 110, 118, 119,
D13/162, 162.1, 163, 168; D14/432, 433,
D14/434, 447; D24/216, 217, 224
CPC H02J 7/342; H02J 50/00; H02J 15/00
See application file for complete search history.

(56) **References Cited**

U.S. PATENT DOCUMENTS

D672,715 S *	12/2012	Brunner	D13/110
D731,967 S *	6/2015	Tuhkanen	D13/108
D763,209 S *	8/2016	Park	D14/125
D800,313 S *	10/2017	Chang	D24/167
D872,016 S *	1/2020	Liao	D13/108
D883,921 S *	5/2020	Ryu	D13/108
D896,764 S *	9/2020	Gutierrez	D13/162
D907,001 S *	1/2021	Kim	D14/171
D908,239 S *	1/2021	Ou Yang	D24/217
D917,065 S *	4/2021	Cui	D24/217
2013/0187606 A1 *	7/2013	Ting	H02J 7/0042 320/114
2017/0187212 A1 *	6/2017	Hemesath	H02J 7/0044
2020/0227903 A1 *	7/2020	Helnerus	H02J 7/0042

OTHER PUBLICATIONS

“Ottolives UV Smart Phone Sanitizer”. Found online Apr. 26, 2021 at amazon.com. Reference dated Apr. 10, 2020. Retrieved from <https://www.amazon.com/dp/B086YZH2DX?tag=tsr-healthdevices-20&linkCode=ogi&th=1&pvc=1>. (Year: 2020).*
“Lecone Wireless Charger”. Found online Apr. 26, 2021 at amazon.com. Reference dated Apr. 12, 2019. Retrieved from <https://www.amazon.com/dp/B07QP65QPW?tag=tsr-healthdevices-20&linkCode=ogi&th=1&pvc=1>. (Year: 2019).*
“Sherry USB Hand Warmer”. Found online Apr. 26, 2021 at amazon.ca. Reference dated Oct. 27, 2019. Retrieved from <https://www.amazon.ca/sherry-Electric-Rechargeable-Beverage-Portable/dp/B07ZN5F5Q3> (Year: 2019).*

* cited by examiner

Primary Examiner — Kendra Leslie Hamilton

Assistant Examiner — Amanda Christensen

(74) *Attorney, Agent, or Firm* — DWC Law Firm, P.S.

(57) **CLAIM**

The ornamental design for a combination UV sanitizer and charger, as shown and described.

DESCRIPTION

FIG. 1 is a top, front, right side perspective view of a combination UV sanitizer and charger.
FIG. 2 is a front elevation view thereof.
FIG. 3 is a back elevation view thereof.
FIG. 4 is a right side elevation view thereof.
FIG. 5 is a left side elevation view thereof.
FIG. 6 is a top plan view thereof.
FIG. 7 is a bottom plan view thereof; and,
FIG. 8 is a bottom, front, right side perspective view thereof.
The broken lines shown in the drawings depict elements of the combination UV sanitizer and charger that form no part of the claimed design.

1 Claim, 3 Drawing Sheets

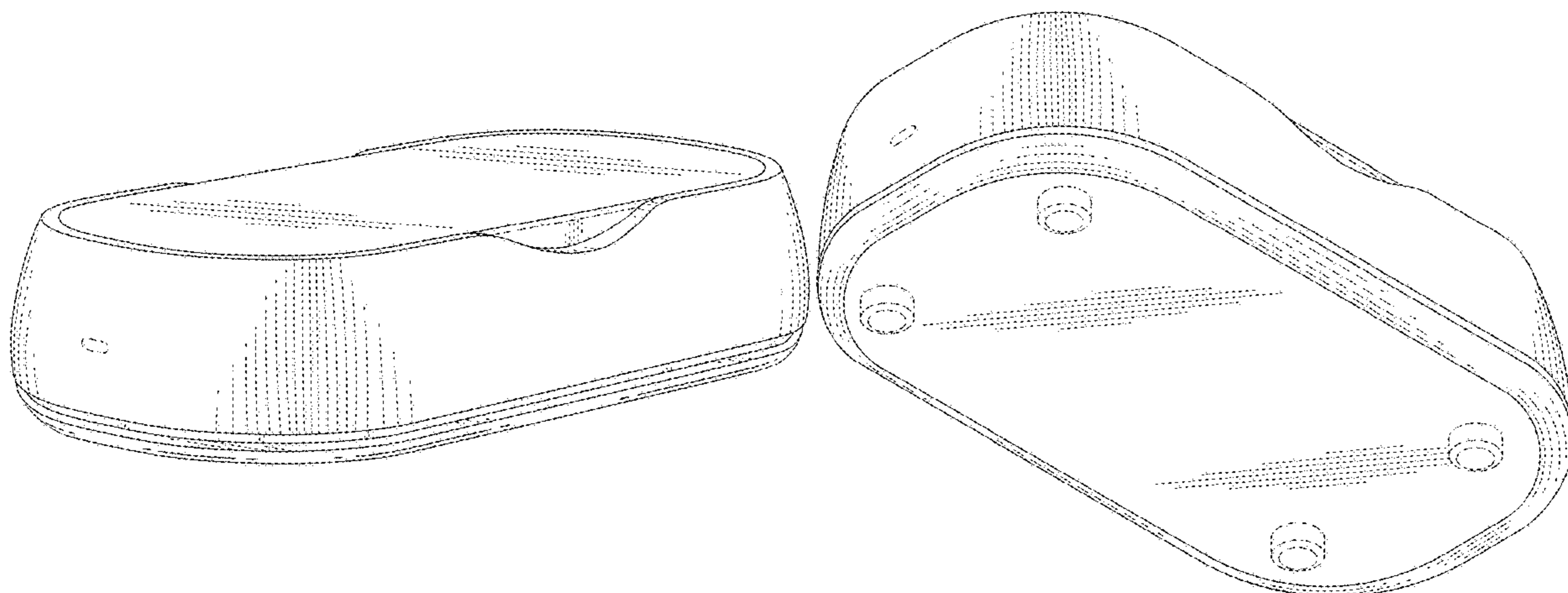


FIG. 1

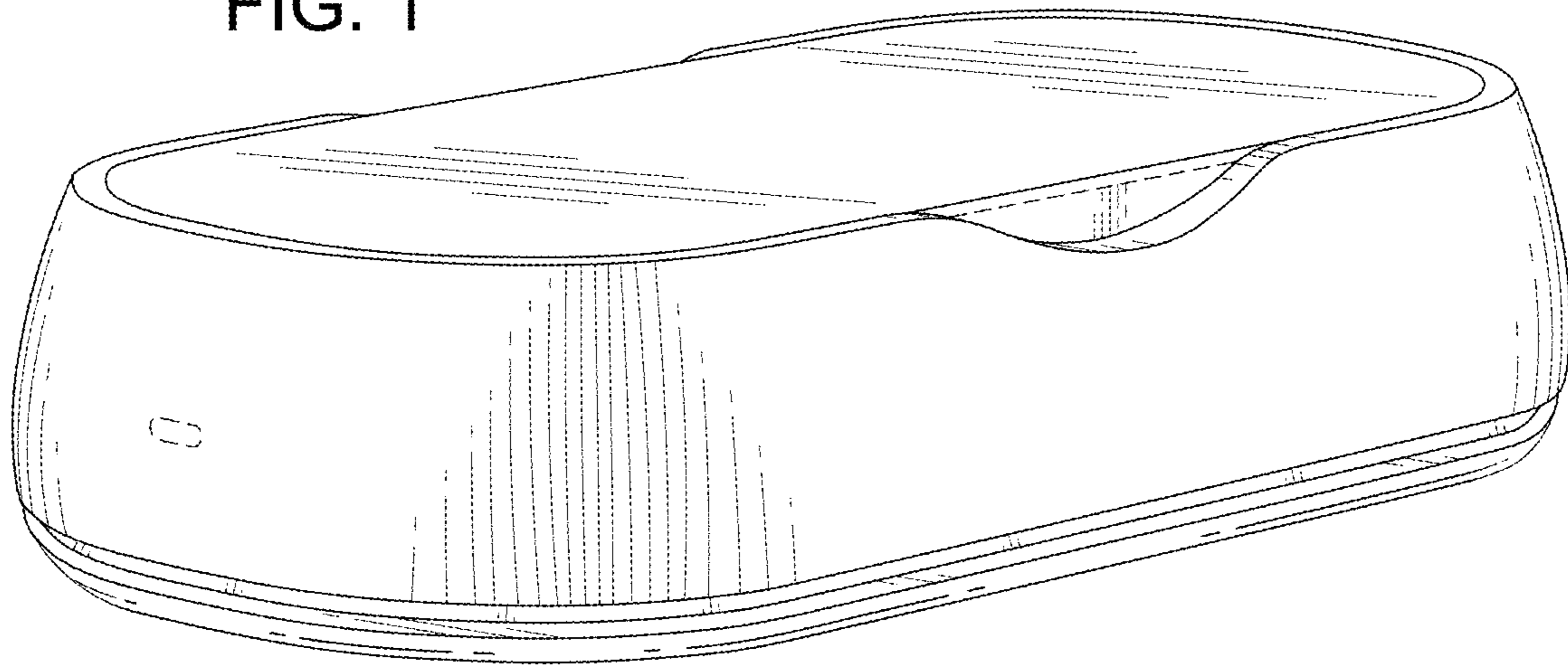


FIG. 2

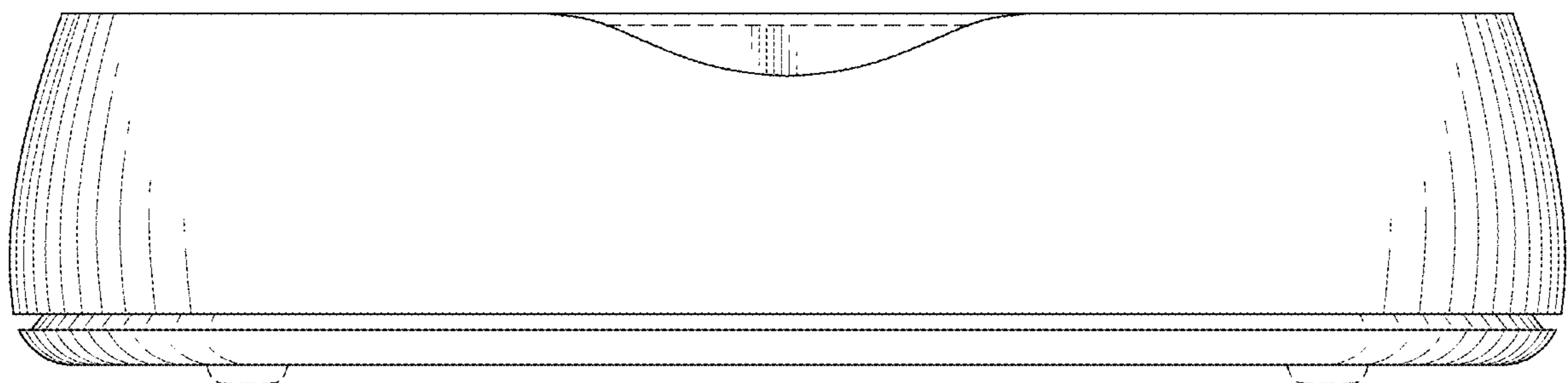


FIG. 3

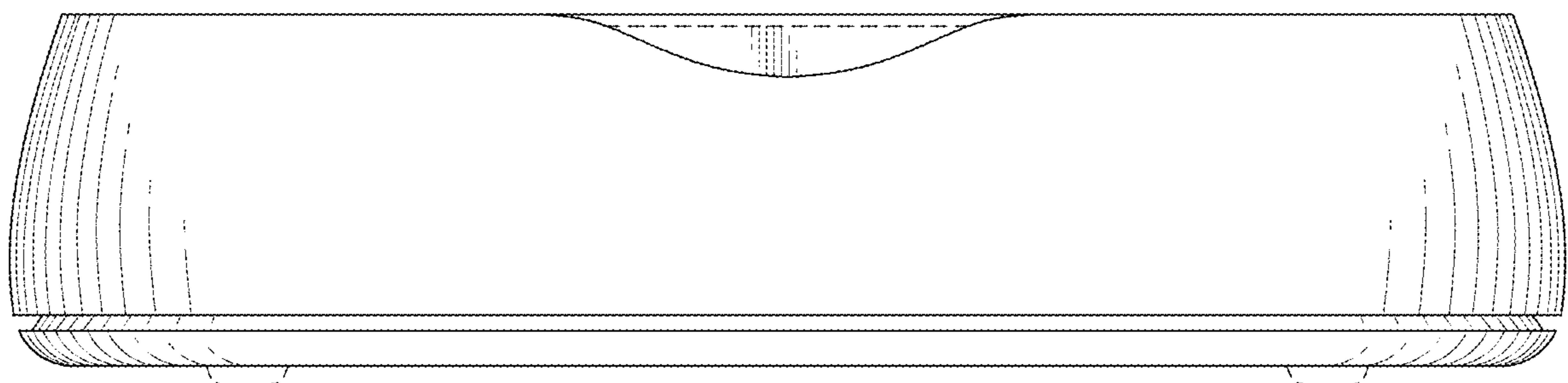


FIG. 4

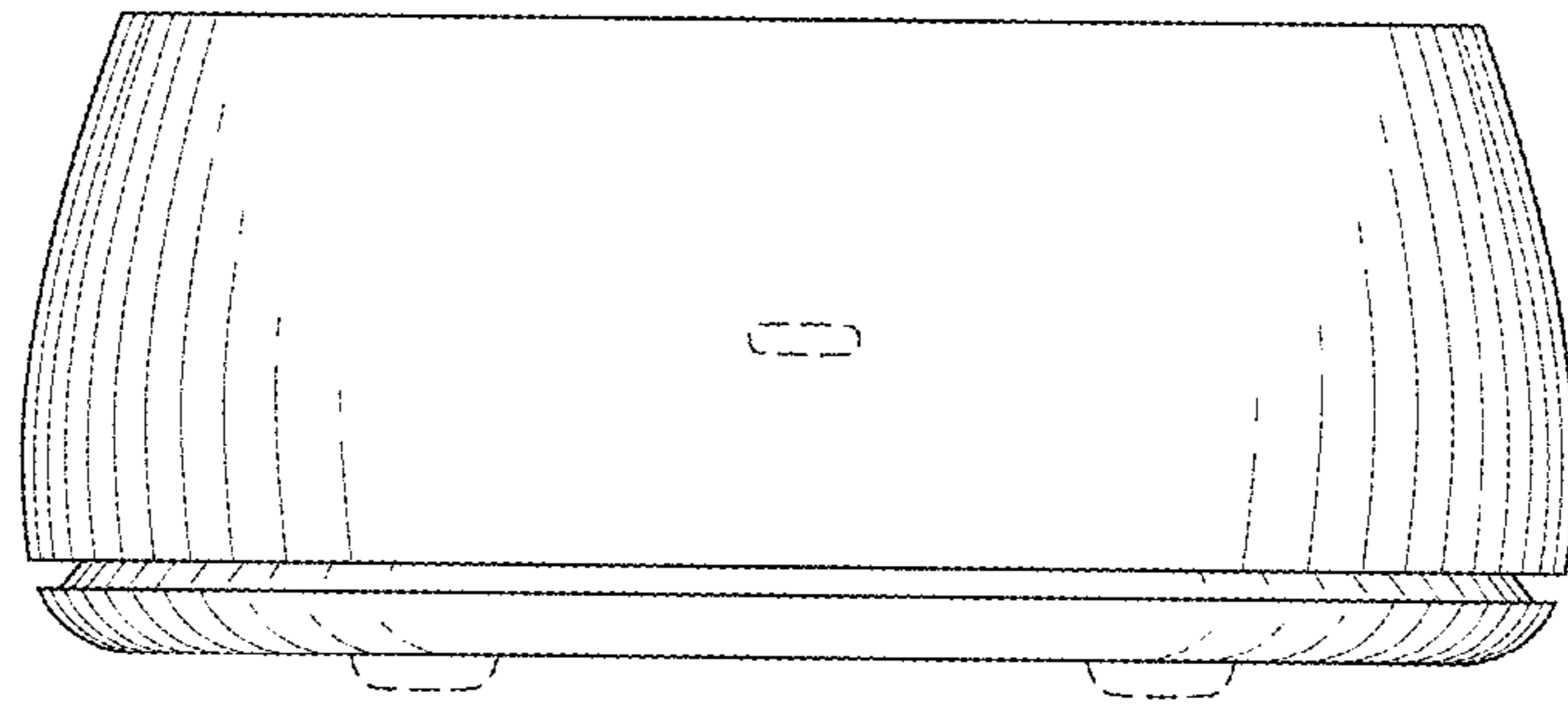


FIG. 5

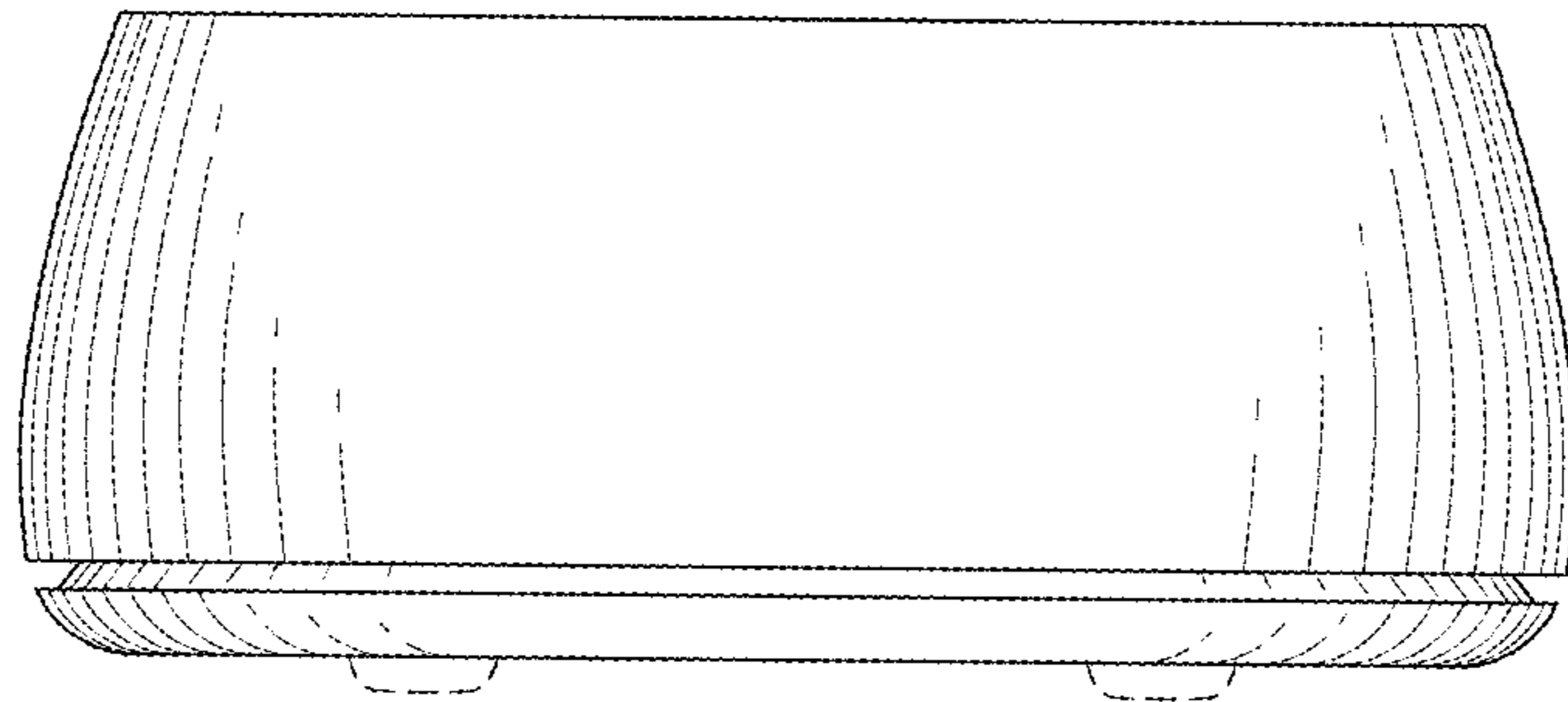


FIG. 6

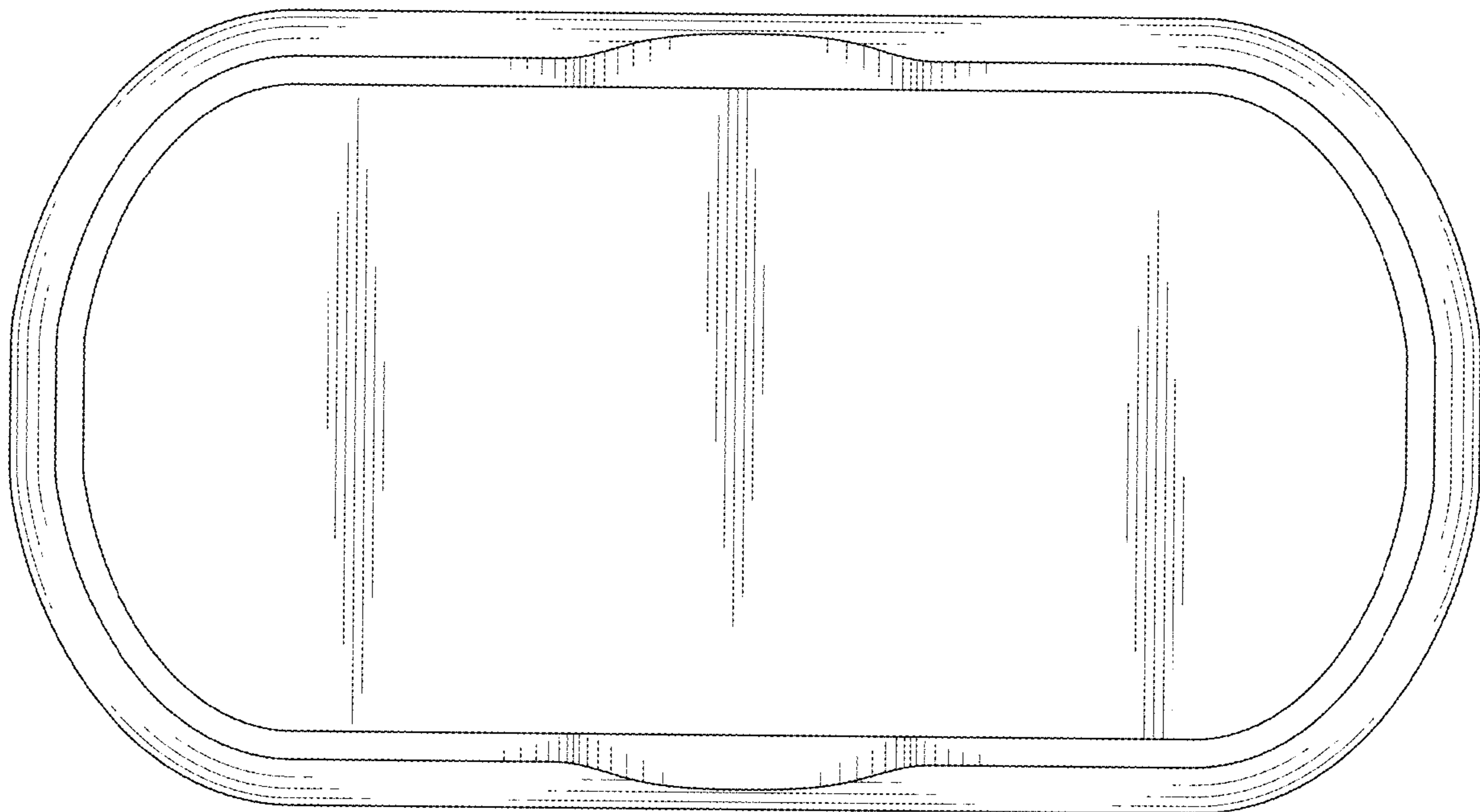


FIG. 7

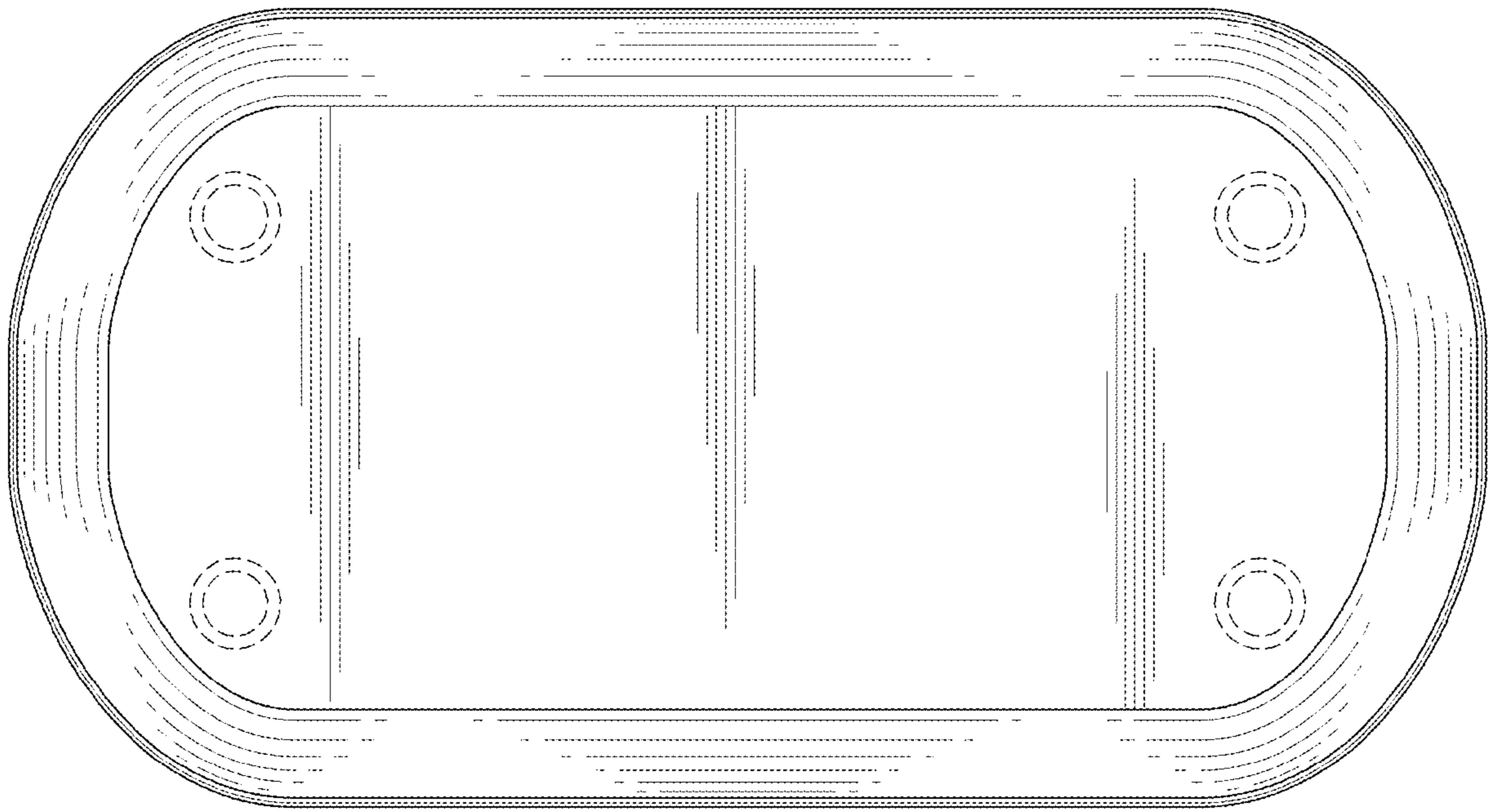


FIG. 8

