



US00D933598S

(12) **United States Design Patent** (10) **Patent No.:** **US D933,598 S**
Zhang (45) **Date of Patent:** **** Oct. 19, 2021**

(54) **WIRELESS CHARGING BRACKET**

(71) Applicant: **Shenzhen XinWeiDu Product Design Co., Ltd.**, Shenzhen (CN)

(72) Inventor: **Fan Zhang**, Shenzhen (CN)

(73) Assignee: **Shenzhen XinWeiDu Product Design Co., Ltd.**, Shenzhen (CN)

(**) Term: **15 Years**

(21) Appl. No.: **29/733,126**

(22) Filed: **Apr. 29, 2020**

(51) **LOC (13) Cl.** **13-02**

(52) **U.S. Cl.**
USPC **D13/108**

(58) **Field of Classification Search**
USPC D13/103, 107, 108, 109, 110, 118, 119,
D13/199; D14/251, 253, 432, 433, 434;
D27/172, 183, 193, 194
CPC H01M 2220/00; H02J 50/00; H04M 1/06
See application file for complete search history.

(56) **References Cited**

U.S. PATENT DOCUMENTS

D814,413 S *	4/2018	Zhong	D13/108
D826,851 S *	8/2018	Wang	D13/108
D852,135 S *	6/2019	Mei	D13/108
10,312,717 B2 *	6/2019	Green	H02J 50/10
D858,437 S *	9/2019	Lu	D13/108
D875,043 S *	2/2020	Yi	D13/108
D877,072 S *	3/2020	Yin	D13/108
D886,056 S *	6/2020	Zhang	D13/108
D889,403 S *	7/2020	Li	D13/108
D917,386 S *	4/2021	Xu	D13/108
D920,239 S *	5/2021	Cheng	D13/108
2016/0195898 A1 *	7/2016	Lau	H04M 1/04 361/679.41
2016/0261139 A1 *	9/2016	Kidakarn	H02J 50/10

OTHER PUBLICATIONS

“SODYSNAY Wireless Charger”. Found online Feb. 10, 2021 at amazon.com. Reference dated Apr. 20, 2019. Retrieved from https://www.amazon.com/gp/product/B07QZLLYTB/ref=as_li_qf_asin_il_tl. (Year: 2019).*

“Beacoo Charging Stand”. Found online Mar. 1, 2021 at amazon.com. Reference dated Mar. 27, 2021. Retrieved from https://www.amazon.com/Upgraded-Charging-Station-Compatible-Airpods/dp/B07NS63CWN?th=1. (Year: 2019).*

“OLEBR Charging Stand”. Found online Feb. 10, 2021 at amazon.com. Reference dated Mar. 11, 2019. Retrieved from https://www.amazon.com/dp/B07P9LTLJY/ref=sspa_dk_detail_3. (Year: 2019).*

* cited by examiner

Primary Examiner — Kendra Leslie Hamilton

Assistant Examiner — Amanda Christensen

(74) *Attorney, Agent, or Firm* — True Shepherd LLC;
Andrew C. Cheng

(57) **CLAIM**

The ornamental design for wireless charging bracket, as shown and described.

DESCRIPTION

FIG. 1 is a front, top, left side perspective view of a wireless charging bracket, showing my new design;

FIG. 2 is a rear, bottom, right side perspective view thereof;

FIG. 3 is a front view thereof;

FIG. 4 is a rear view thereof;

FIG. 5 is a right side view thereof;

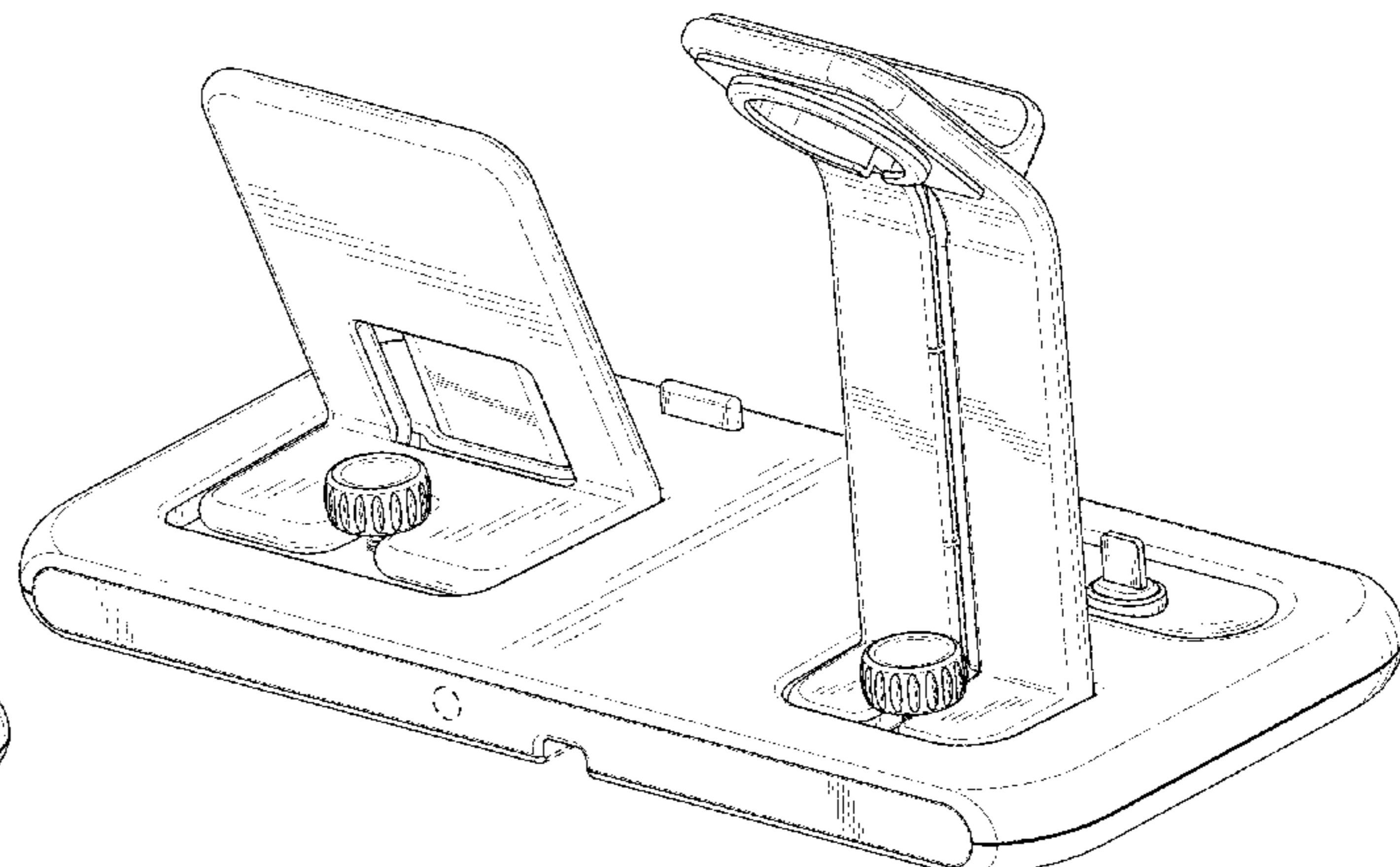
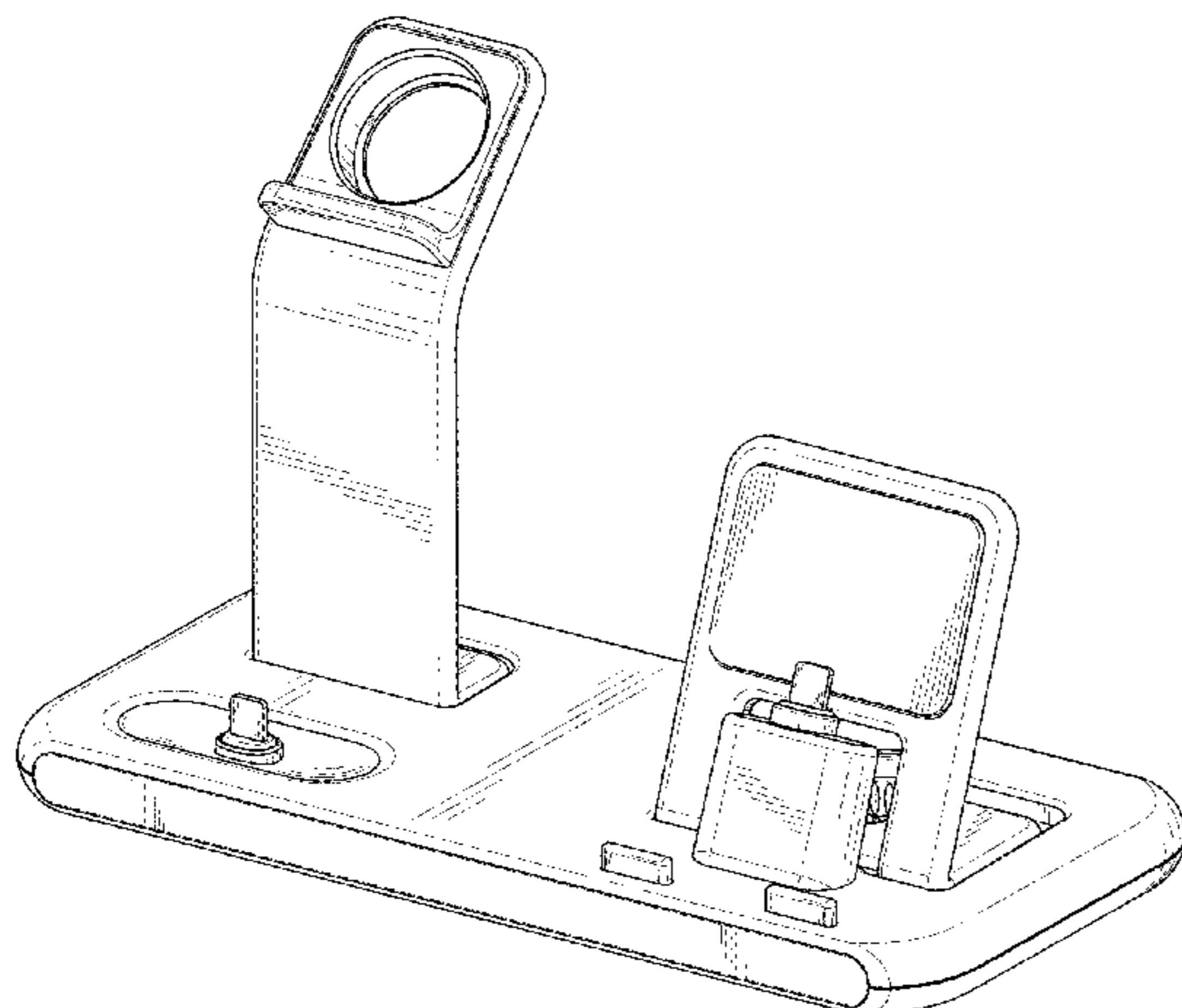
Fig. 6 is a left side view thereof;

FIG. 7 is a top plan view thereof; and,

FIG. 8 is a bottom plan view thereof.

The broken lines are for the purposes of illustrating portions of the wireless charging bracket and form no part of the claimed design.

1 Claim, 8 Drawing Sheets



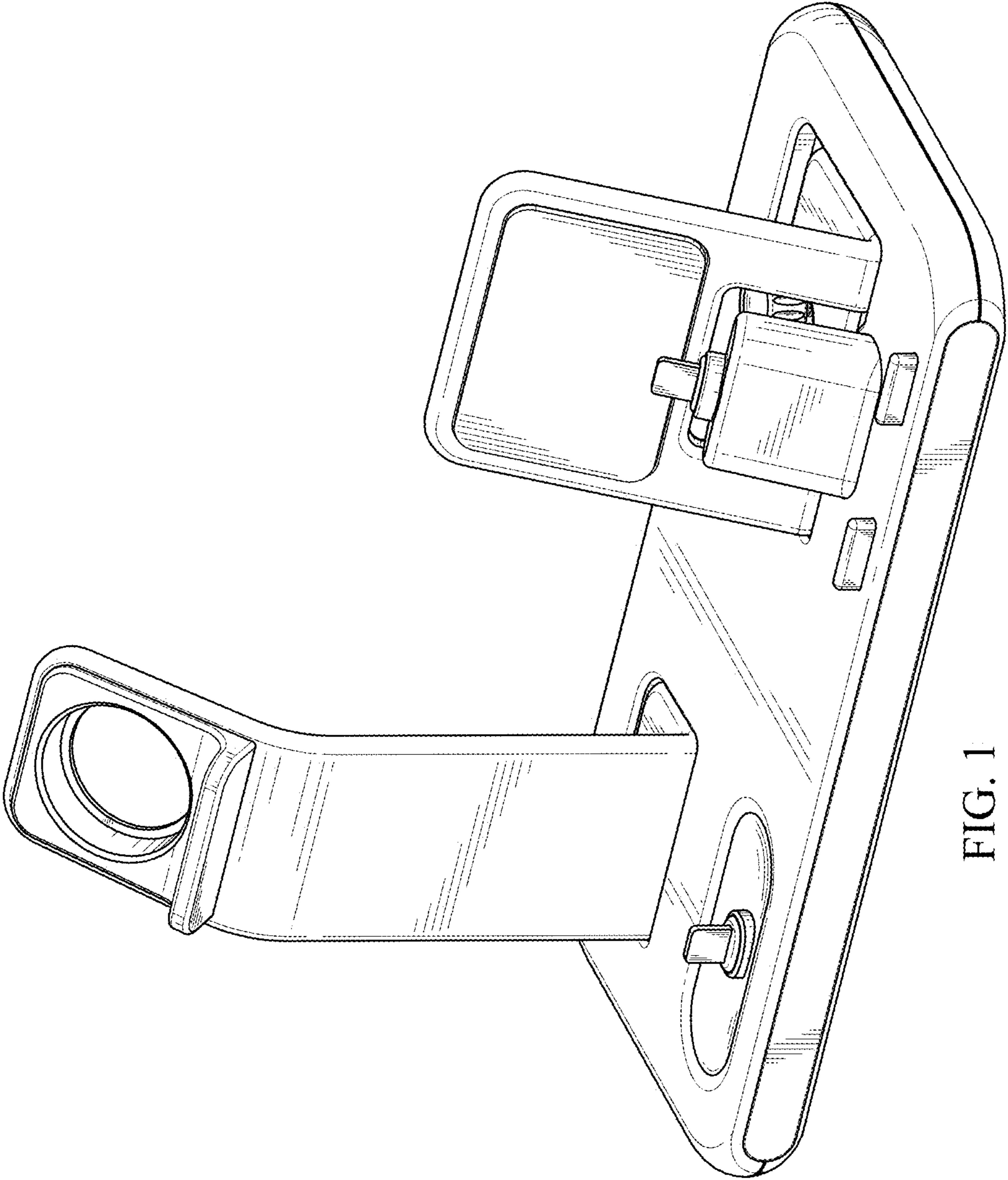


FIG. 1

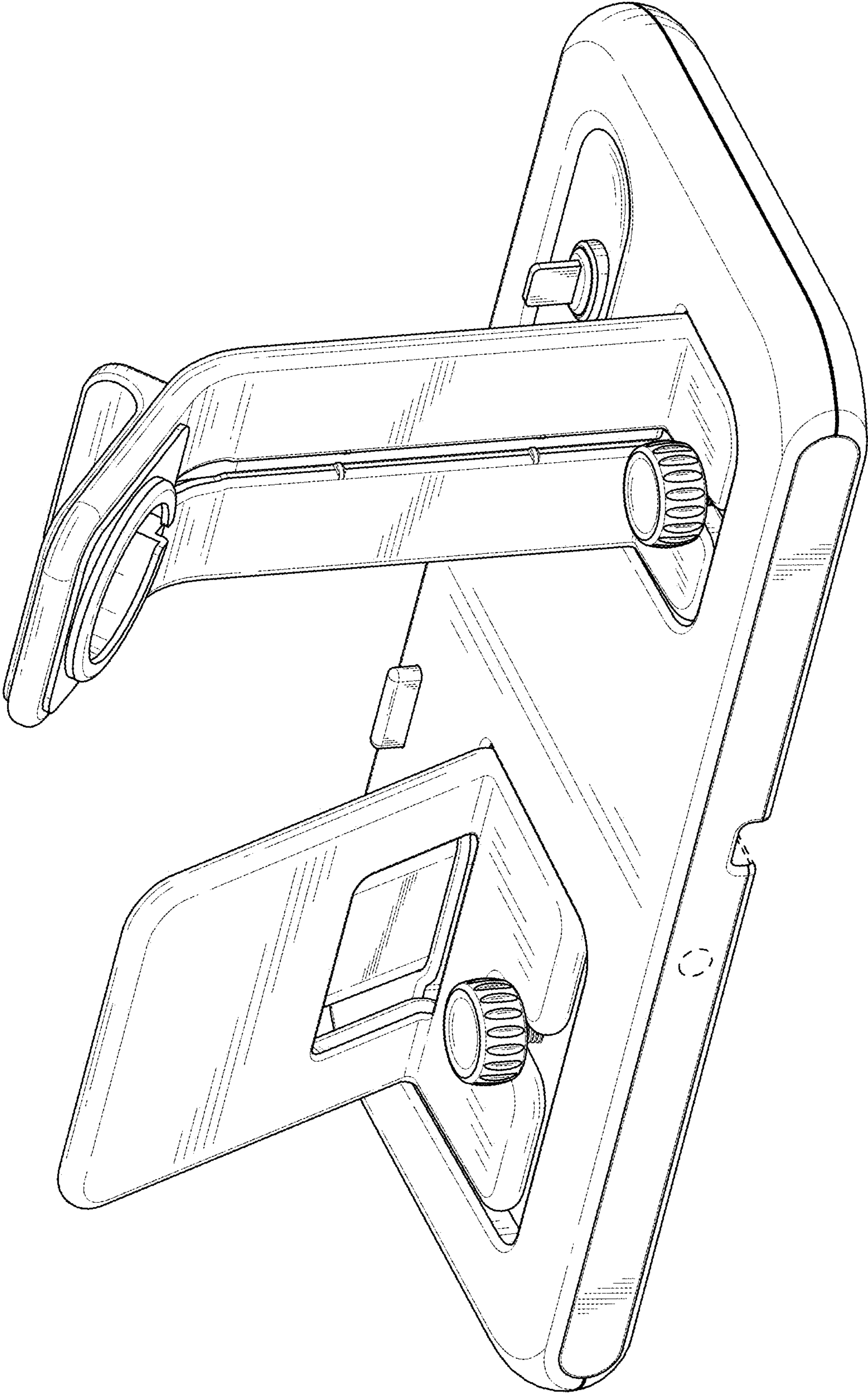


FIG. 2

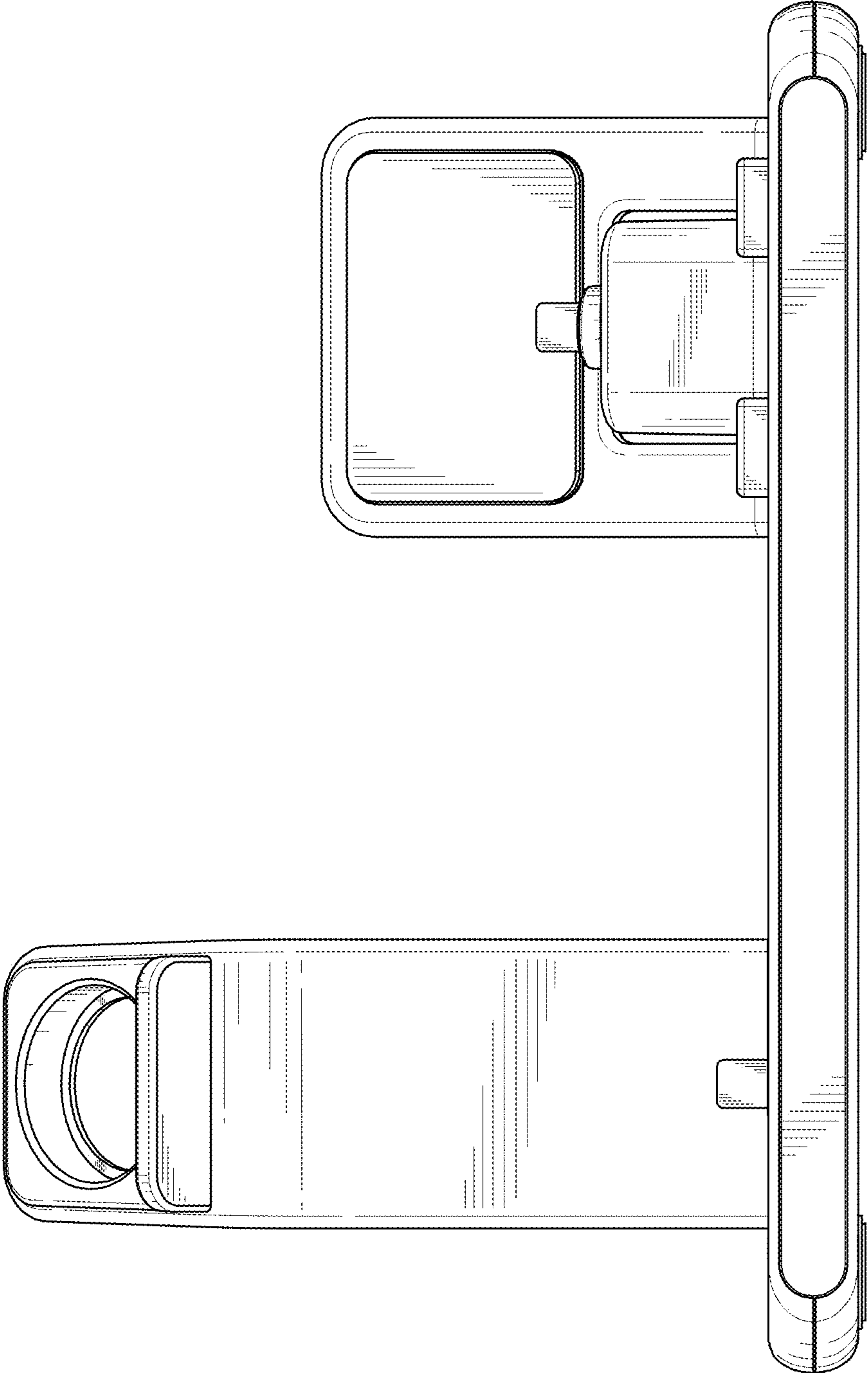


FIG. 3

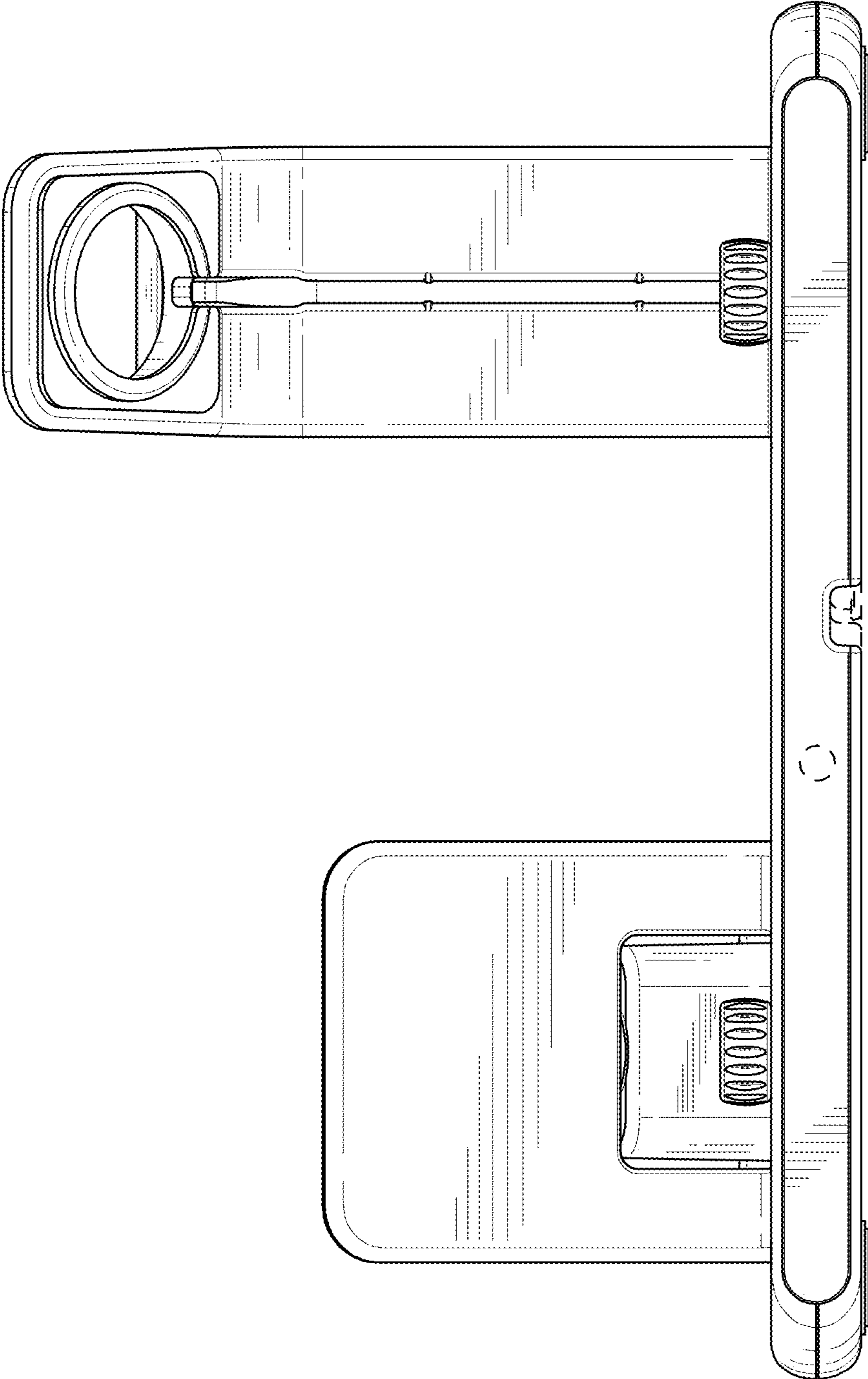


FIG. 4

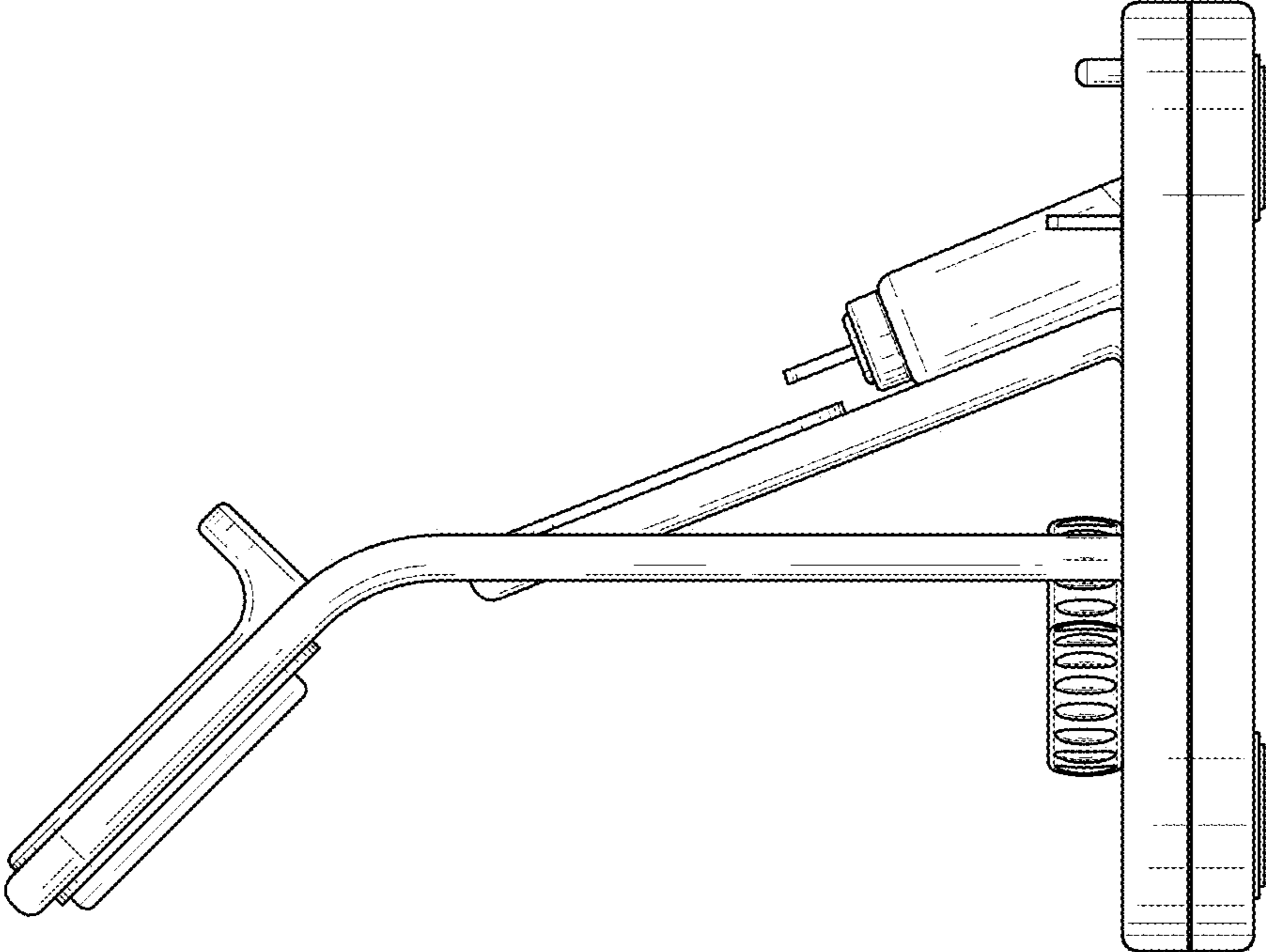


FIG. 5

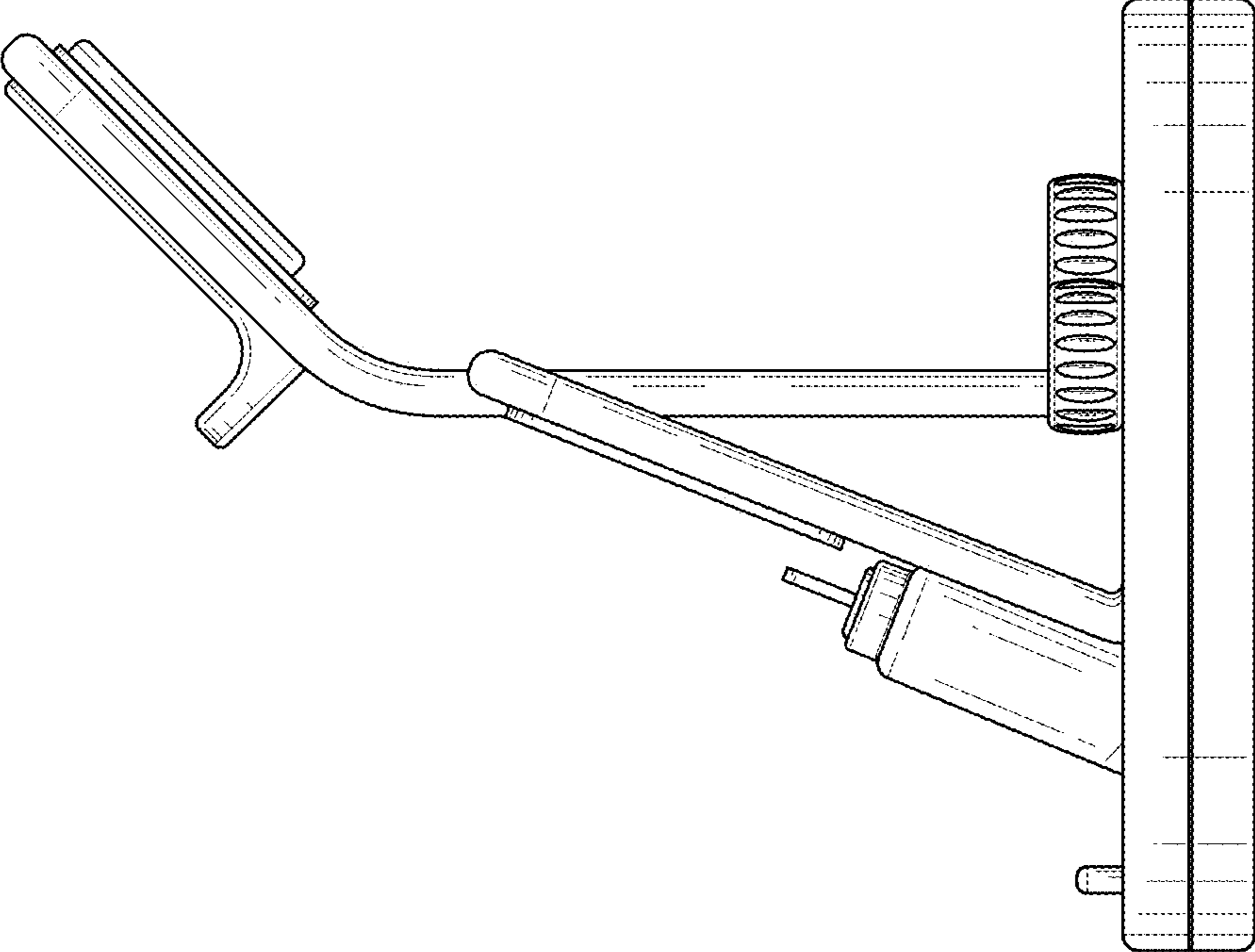


FIG. 6

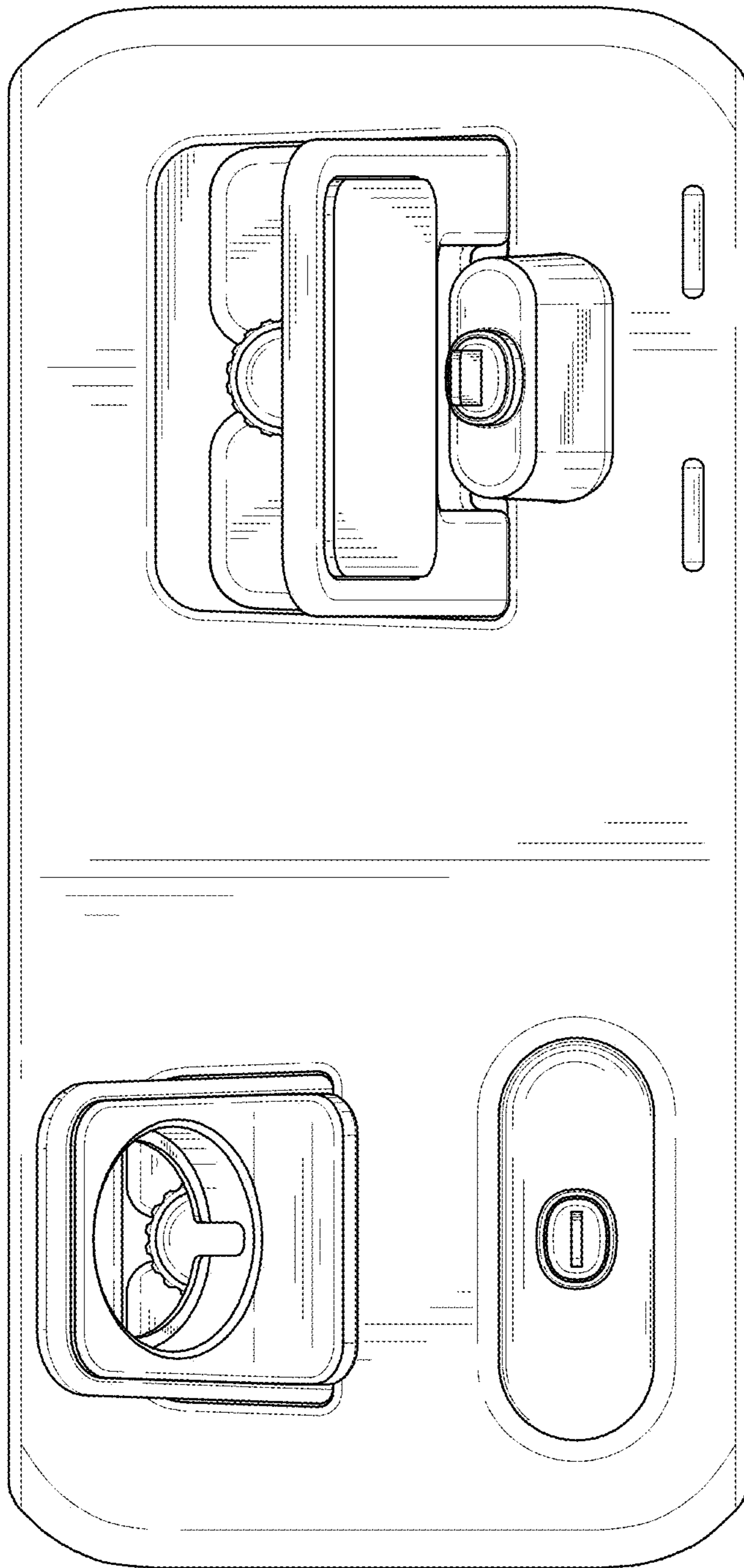


FIG. 7

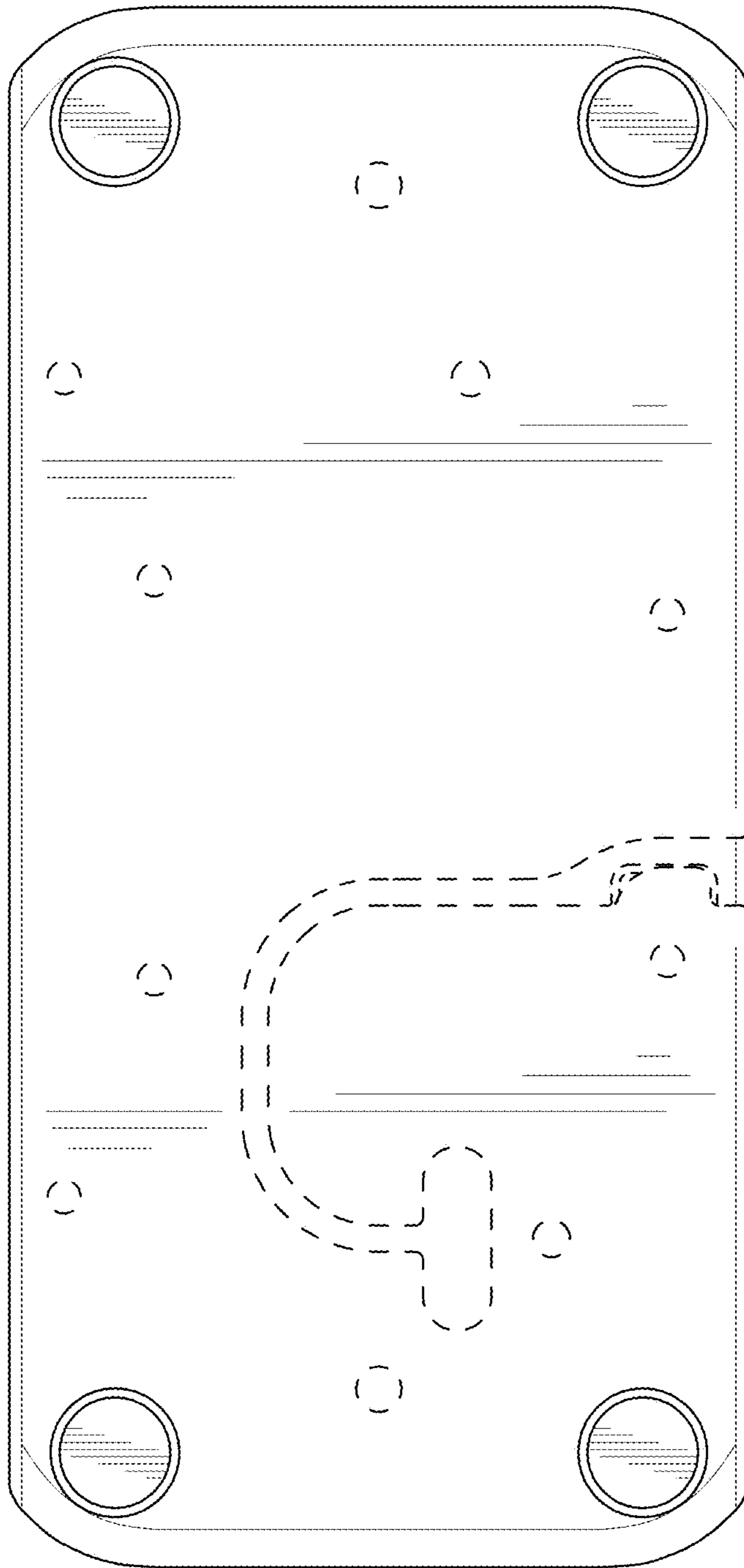


FIG. 8