



US00D933596S

(12) **United States Design Patent** (10) **Patent No.:** **US D933,596 S**  
**Simpson et al.** (45) **Date of Patent:** **\*\* Oct. 19, 2021**

(54) **CHARGING BASE FOR HEATER COMPONENT**

- (71) Applicant: **Flat Planet Limited**, Kowloon (HK)
- (72) Inventors: **Michael Lee Simpson**, Santa Monica, CA (US); **Matthew James Bickerton**, Topanga, CA (US); **Alexandre Nacrou**, Hong Kong (HK)
- (\*\*) Term: **15 Years**
- (21) Appl. No.: **29/714,492**
- (22) Filed: **Nov. 22, 2019**
- (51) **LOC (13) Cl.** ..... **13-02**
- (52) **U.S. Cl.**  
USPC ..... **D13/108**
- (58) **Field of Classification Search**  
USPC ..... D13/103, 107, 108, 109, 110, 118, 119;  
D14/209.1, 251, 253, 356, 434, 447;  
D27/183, 193, 194  
CPC ..... H02J 7/342; H02J 50/00; H01R 2201/06  
See application file for complete search history.

(56) **References Cited**

U.S. PATENT DOCUMENTS

D276,149 S	*	10/1984	Eckmann	.....	D13/107
4,558,270 A	*	12/1985	Liautaud	.....	H02J 7/0045
					320/110
5,233,281 A	*	8/1993	Chiang	.....	H02J 7/0045
					320/110
5,602,458 A	*	2/1997	Dowe	.....	H02J 7/0068
					396/205
D530,275 S	*	10/2006	Ng	.....	D13/108
D663,265 S	*	7/2012	Fuhr	.....	D13/108
D820,783 S	*	6/2018	Gelder	.....	D13/107
D850,369 S	*	6/2019	Wang	.....	D13/108
D853,325 S	*	7/2019	Xu	.....	D13/108
D866,460 S	*	11/2019	Komoni	.....	D13/108
D871,330 S	*	12/2019	Chen	.....	D13/108
D905,631 S	*	12/2020	Nauroy	.....	D13/108
D911,947 S	*	3/2021	Qiu	.....	D13/108

OTHER PUBLICATIONS

“Omura Series 1 Vaporizer”. Found online Apr. 15, 2021 at design-milk.com. Reference dated Jun. 13, 2019. Retrieved from <https://design-milk.com/omura-series-1-whole-flower-vaporizer/>. (Year: 2019).\*

“PAX 1 Charging Dock”. Found online Apr. 30, 2021 at tothecloudvaporstore.com. Reference dated Feb. 12, 2015. Retrieved from [https://tineye.com/search/1280edf2fa8dee4aad23a637ada2bc01c28ab490?sort=crawl\\_date&order=asc&page=1](https://tineye.com/search/1280edf2fa8dee4aad23a637ada2bc01c28ab490?sort=crawl_date&order=asc&page=1). (Year: 2015).\*

“EBL Battery Charger”. Found online Apr. 29, 2021 at amazon.com. Reference dated Mar. 13, 2019. Retrieved from [https://www.amazon.com/EBL-Universal-Battery-Rechargeable-Batteries/dp/B07PRJRHBB/ref=psdc\\_10063711011\\_t4\\_B085KSVYL6](https://www.amazon.com/EBL-Universal-Battery-Rechargeable-Batteries/dp/B07PRJRHBB/ref=psdc_10063711011_t4_B085KSVYL6). (Year: 2019).\*

\* cited by examiner

*Primary Examiner* — Kendra Leslie Hamilton  
*Assistant Examiner* — Amanda Christensen

(74) *Attorney, Agent, or Firm* — Patents by Benasaur; Benjamin P. Kuo, Esq.

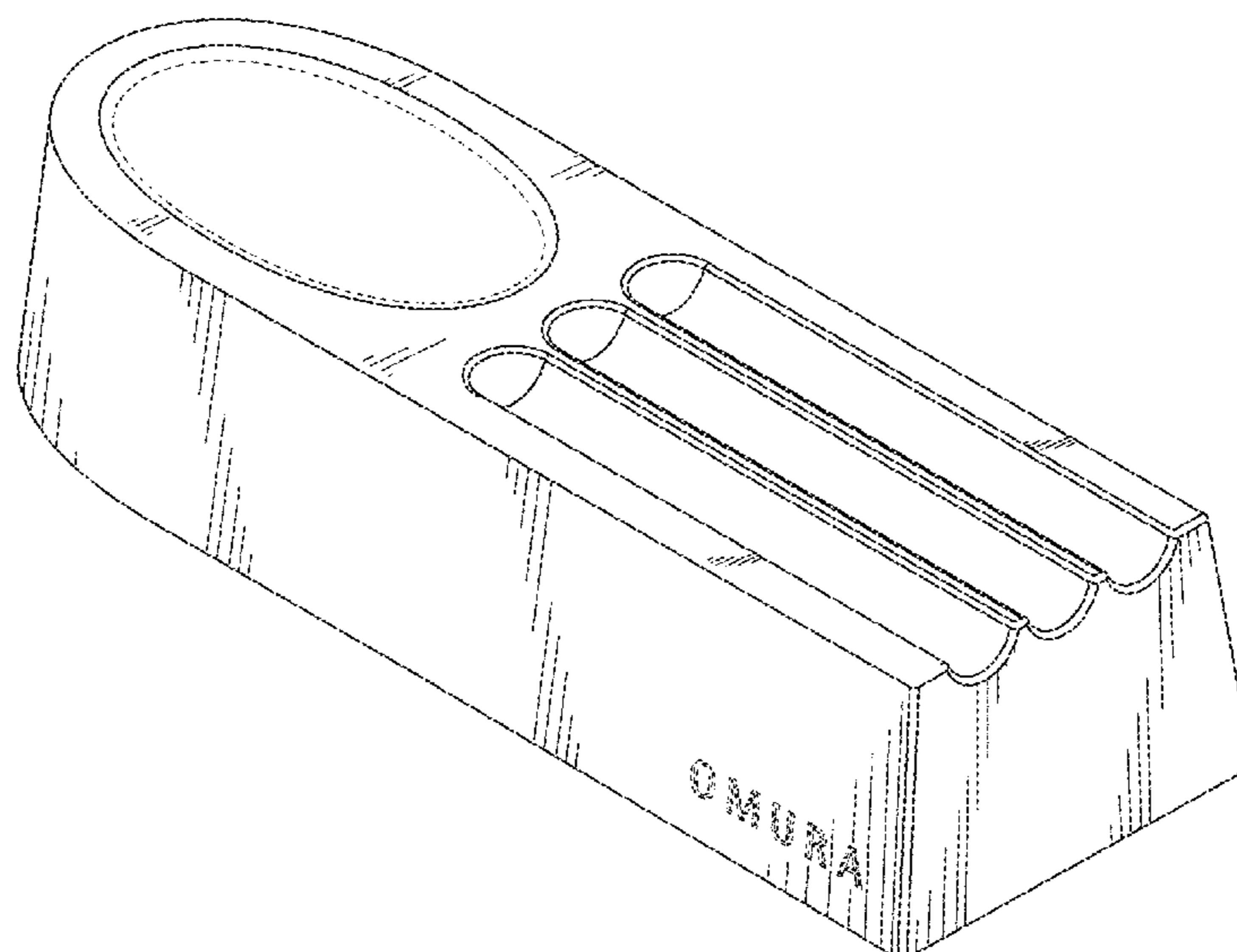
(57) **CLAIM**

The ornamental design for a charging base for heater component, as shown and described.

**DESCRIPTION**

FIG. 1 is a top-front perspective view of a charging base for heater component.  
 FIG. 2 is a right-side elevational view thereof.  
 FIG. 3 is a left-side elevational view thereof.  
 FIG. 4 is a front elevational view thereof.  
 FIG. 5 is a rear elevational view thereof; and,  
 FIG. 6 is a top plan view thereof.  
 The broken lines in the drawings depict portions of the charging base for heater component that are not part of the claimed design.

**1 Claim, 5 Drawing Sheets**



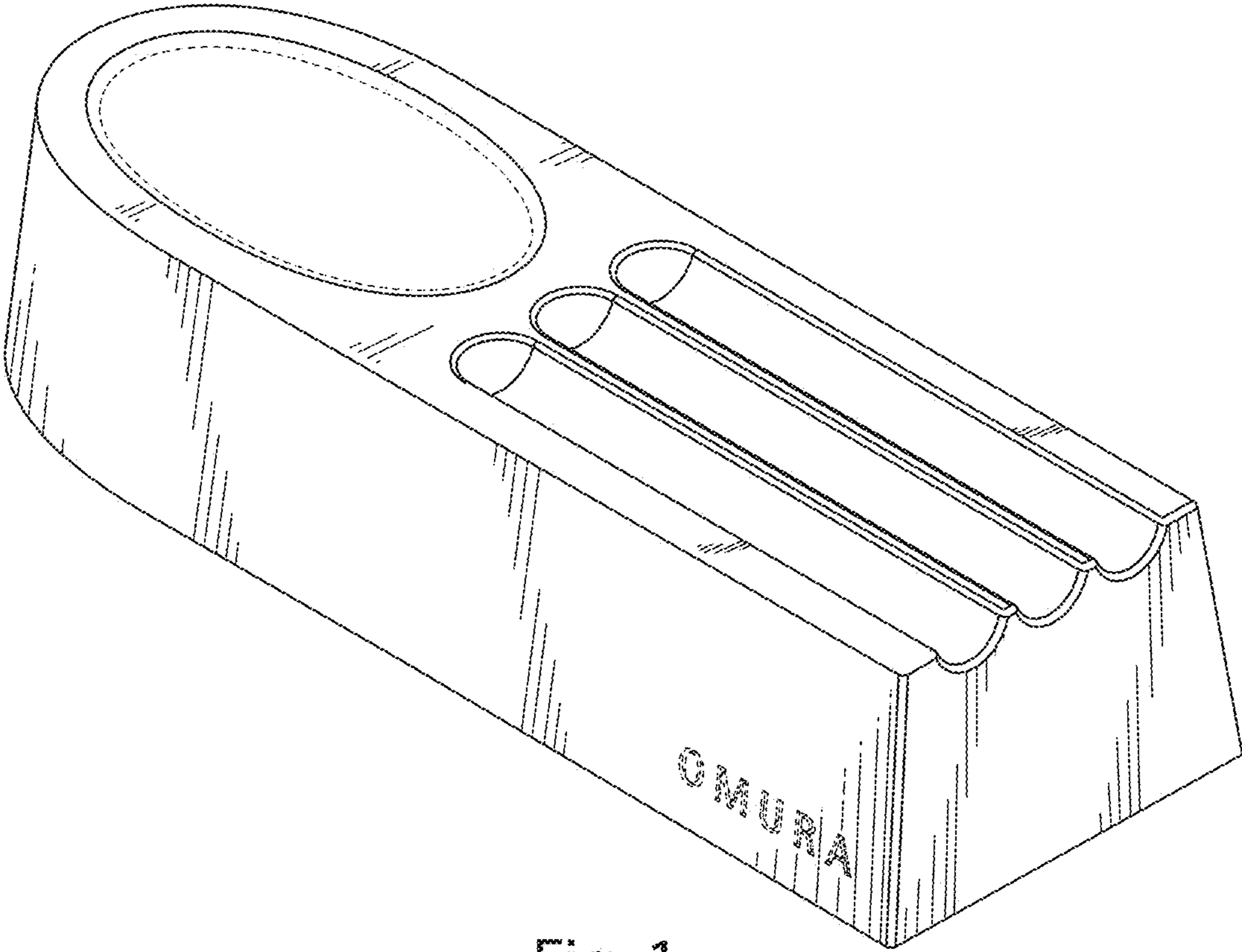


Fig. 1

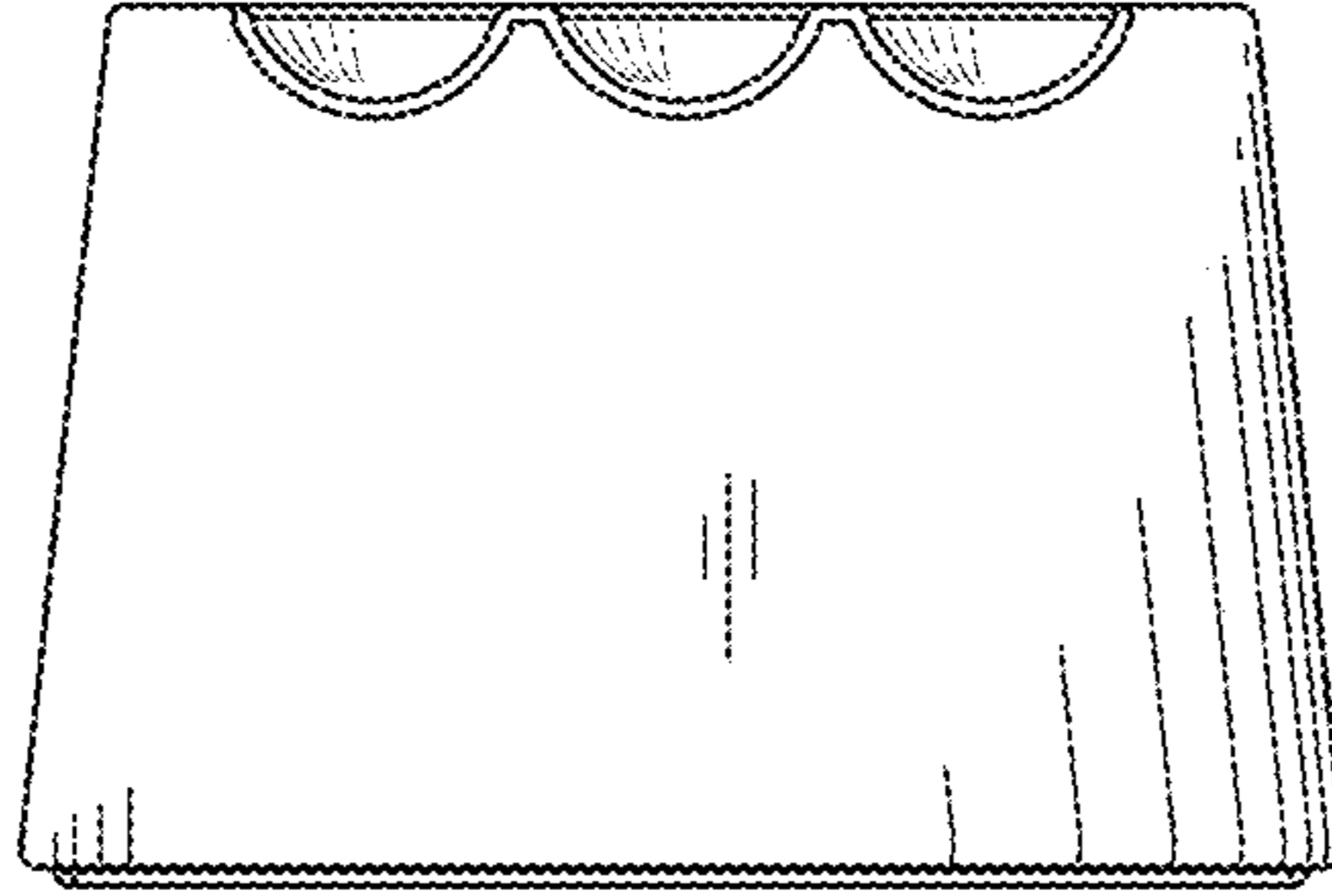


Fig. 2

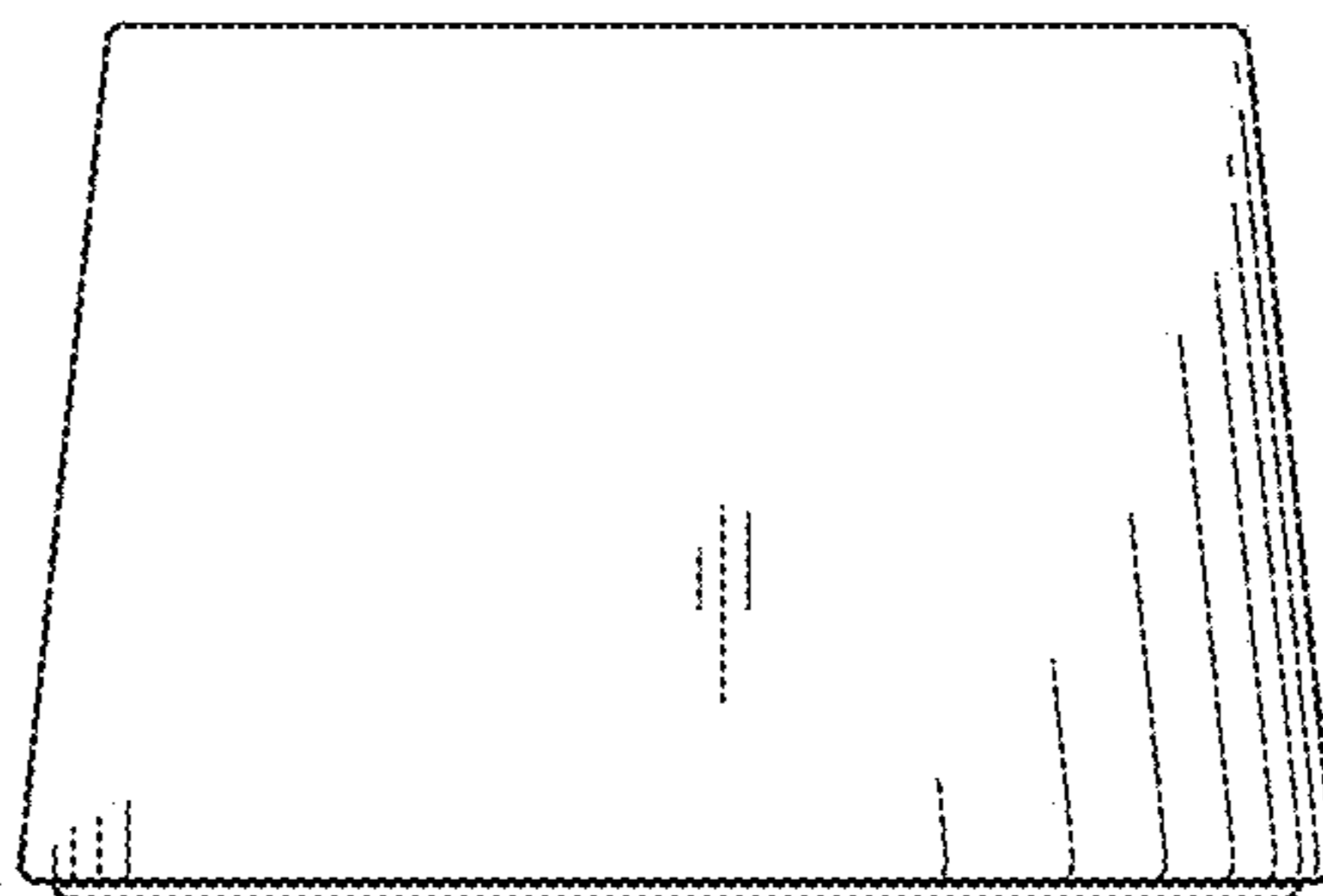


Fig. 3

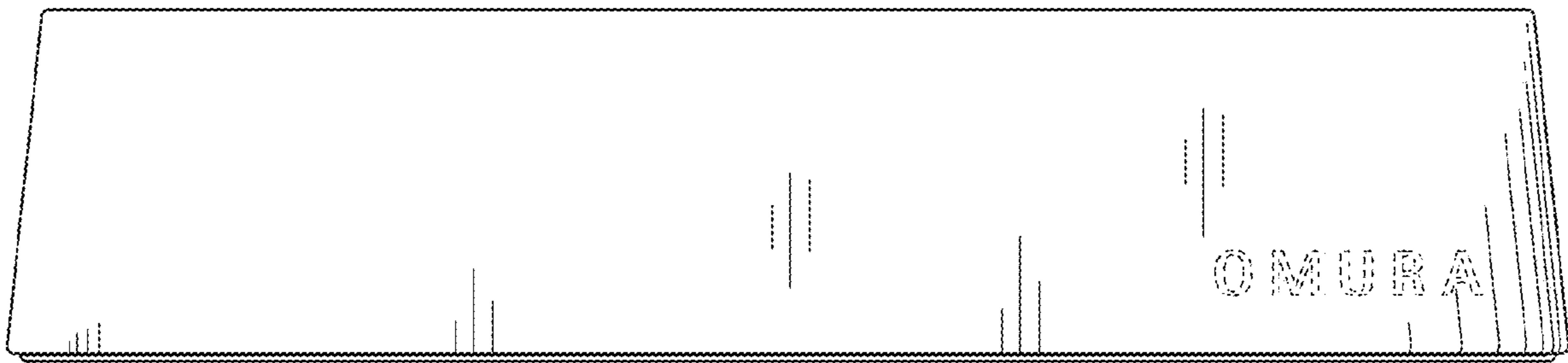


Fig. 4

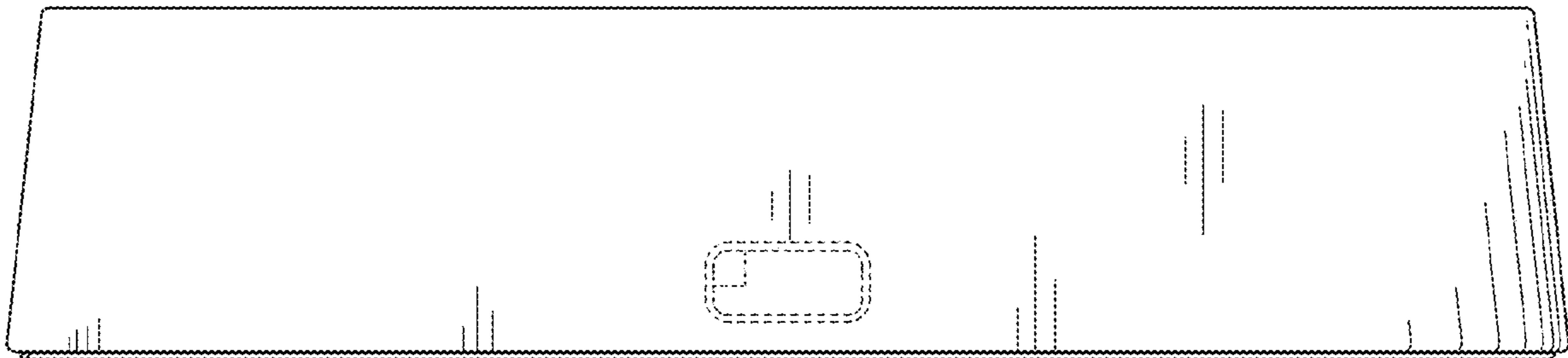


Fig. 5

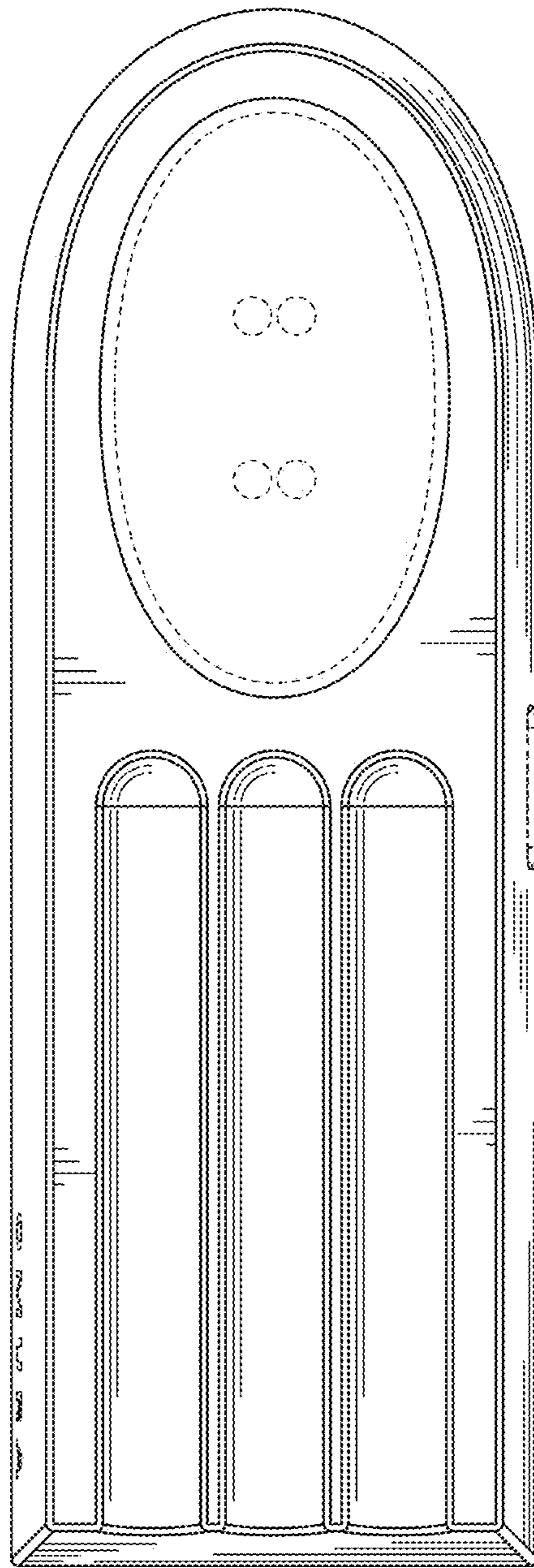


Fig. 6