



US00D933595S

(12) **United States Design Patent**
Geng et al.

(10) **Patent No.:** **US D933,595 S**

(45) **Date of Patent:** **** Oct. 19, 2021**

- (54) **HEADPHONE CHARGING CASE**
- (71) Applicants: **Sihua Geng**, Shenzhen (CN); **Zhou Yi**, Dongguan (CN); **Jianfei Liu**, Dongguan (CN); **Sen Wang**, Dongguan (CN)
- (72) Inventors: **Sihua Geng**, Shenzhen (CN); **Zhou Yi**, Dongguan (CN); **Jianfei Liu**, Dongguan (CN); **Sen Wang**, Dongguan (CN)
- (73) Assignee: **Sharetronic Data Technology (Hong Kong) Limited**, Hong Kong (CN)
- (**) Term: **15 Years**
- (21) Appl. No.: **29/714,161**
- (22) Filed: **Nov. 21, 2019**
- (51) **LOC (13) Cl.** **13-02**
- (52) **U.S. Cl.**
USPC **D13/108; D3/294**
- (58) **Field of Classification Search**
USPC D13/103, 107, 108, 118, 119, 184;
D3/201, 208, 218, 266, 273, 274, 294,
D3/301, 302; D14/223, 251, 432, 434;
D9/414, 420, 423, 430, 503
CPC .. H01M 2/02; G06F 1/1628; A45C 2011/001;
B65D 43/16
See application file for complete search history.

- (56) **References Cited**
U.S. PATENT DOCUMENTS
D351,499 S * 10/1994 Gay D3/201
7,272,421 B2 9/2007 Bang et al.
7,925,296 B2 4/2011 Lin
8,144,914 B2 3/2012 Shi
8,145,283 B2 3/2012 Shi
8,571,544 B2 10/2013 Pelland et al.
8,655,420 B1 2/2014 Pelland et al.
9,013,145 B2 4/2015 Castillo et al.
9,049,502 B2 6/2015 Pelland et al.
9,438,987 B2 9/2016 Koss et al.
9,502,913 B2 11/2016 Castillo et al.

- D806,388 S * 1/2018 Akana D13/108
- 9,961,431 B2 5/2018 McPeak et al.
- 9,967,649 B2 5/2018 Chandramohan et al.
- 10,009,678 B2 6/2018 Panecki et al.
- (Continued)

OTHER PUBLICATIONS

“Mi AirDots Pro 2”. Found online Dec. 15, 2020 at gadgets.ndtv.com. Reference dated Sep. 25, 2019. Retrieved from <https://gadgets.ndtv.com/audio/news/mi-airdots-pro-2-power-bank-3-50w-mi-charge-turbo-wireless-charging-stand-30w-price-cny-399-299-199-2106933>. (Year: 2019).*

(Continued)

Primary Examiner — Kendra Leslie Hamilton
Assistant Examiner — Amanda Christensen
(74) *Attorney, Agent, or Firm* — Joe Nieh

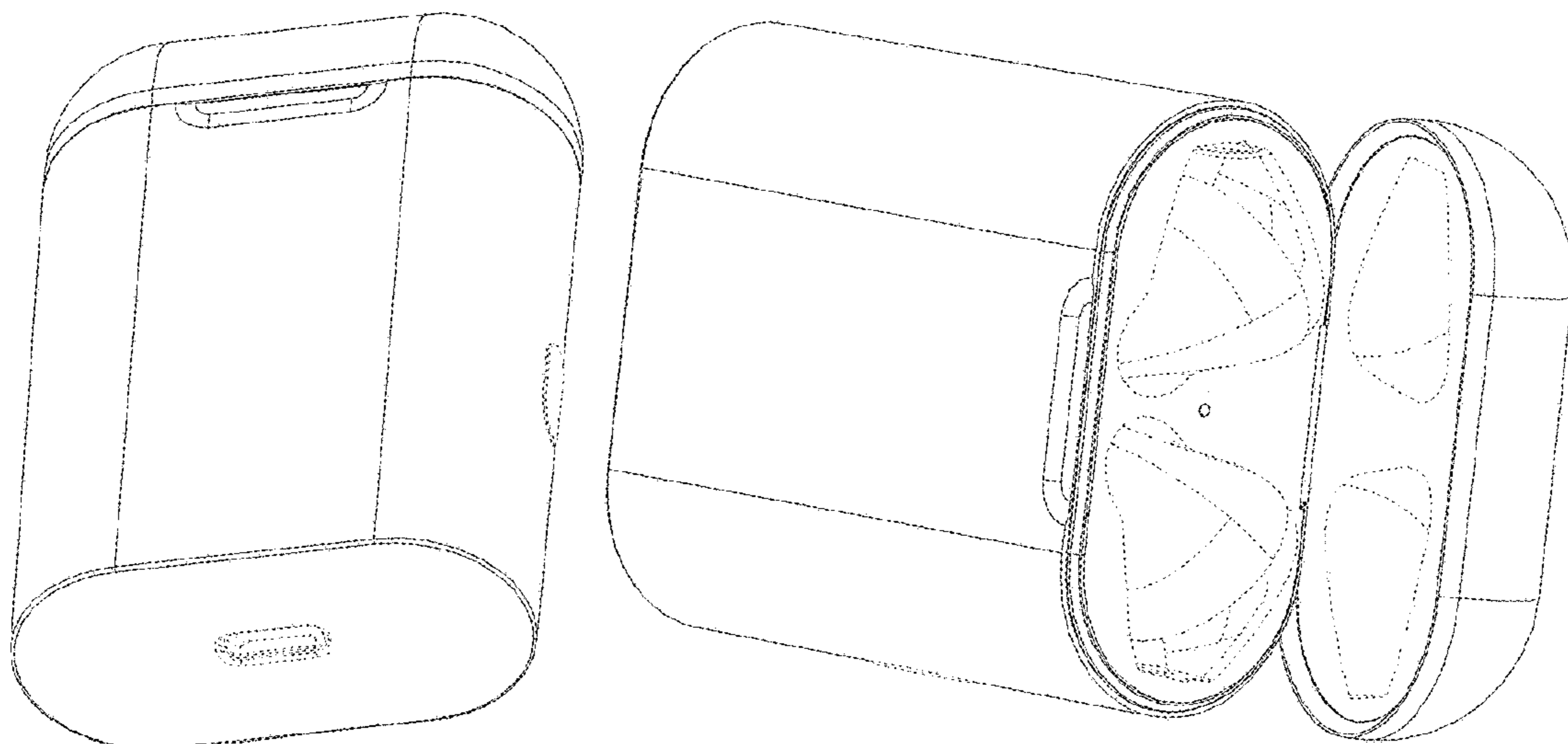
(57) **CLAIM**

The ornamental design for a headphone charging case, as shown and described.

DESCRIPTION

FIG. 1 is a bottom, rear, left side perspective view of a headphone charging case, shown closed, in a first configuration;
FIG. 2 is a top, rear perspective view of the headphone charging case of FIG. 1, shown open, in a second configuration;
FIG. 3 is a left side elevation view of the headphone charging case of FIG. 1, shown in the first configuration;
FIG. 4 is a bottom plan view thereof;
FIG. 5 is a rear elevation view thereof;
FIG. 6 is a top plan view thereof;
FIG. 7 is a right side elevation view thereof; and,
FIG. 8 is a front elevation view thereof.
The equal-length broken lines in the drawings depict portions of the headphone charging case that form no part of the claimed design.

1 Claim, 3 Drawing Sheets



(56)

References Cited

U.S. PATENT DOCUMENTS

10,110,984 B2 10/2018 Rich et al.
10,123,104 B1 11/2018 Shao
10,182,282 B2 1/2019 McPeak et al.
10,225,637 B2 3/2019 Panecki et al.
D881,572 S * 4/2020 Wang D3/294
D886,453 S * 6/2020 Wright D3/294
D890,091 S * 7/2020 Cramer D3/294
D897,678 S * 10/2020 Koh D3/294
D897,997 S * 10/2020 Zhang D14/223
D901,177 S * 11/2020 Wei D3/294
D904,023 S * 12/2020 Wang D3/294
2020/0068285 A1 * 2/2020 Dang H04R 1/1016
2020/0084532 A1 * 3/2020 Lo H02J 7/342
2020/0266640 A1 * 8/2020 Valenzuela H02J 7/0044
2020/0304898 A1 * 9/2020 Cohen H04R 1/1016

OTHER PUBLICATIONS

“Xiaomi Airdots Pro 2”. Found online Dec. 14, 2020 at amazon.com. Reference dated Jun. 19, 2019. Retrieved from <https://www.amazon.com/Wireless-Earphones-Headset-Compatible-Android/dp/B07N43DSF2>. (Year: 2019).*

“TWS-i7s AirPods”. Found online Dec. 8, 2020 at youtube.com. Reference dated Apr. 29, 2018. Retrieved from <https://www.youtube.com/watch?v=bv0rDLBwfZ0>. (Year: 2018).*

* cited by examiner

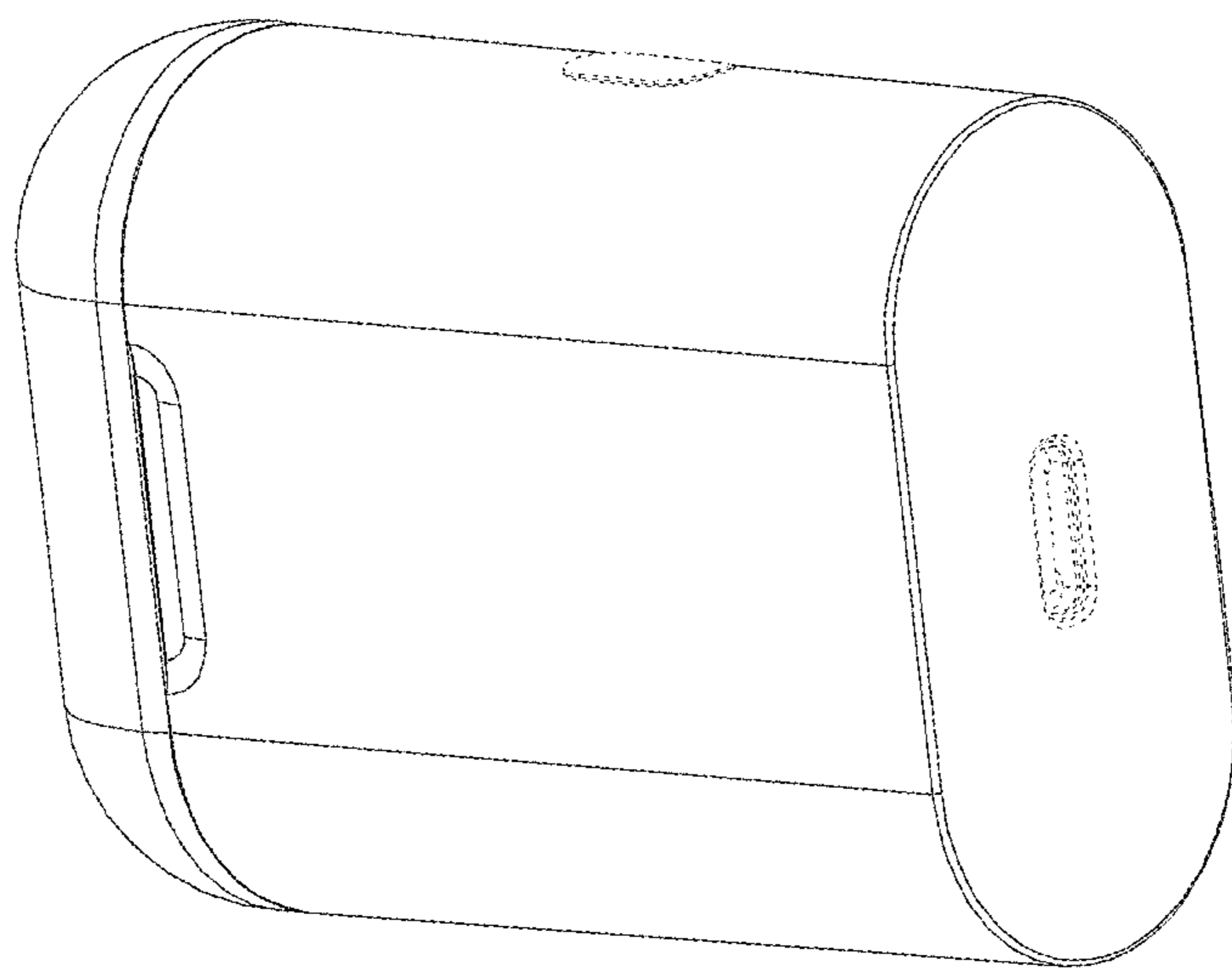


Fig. 1

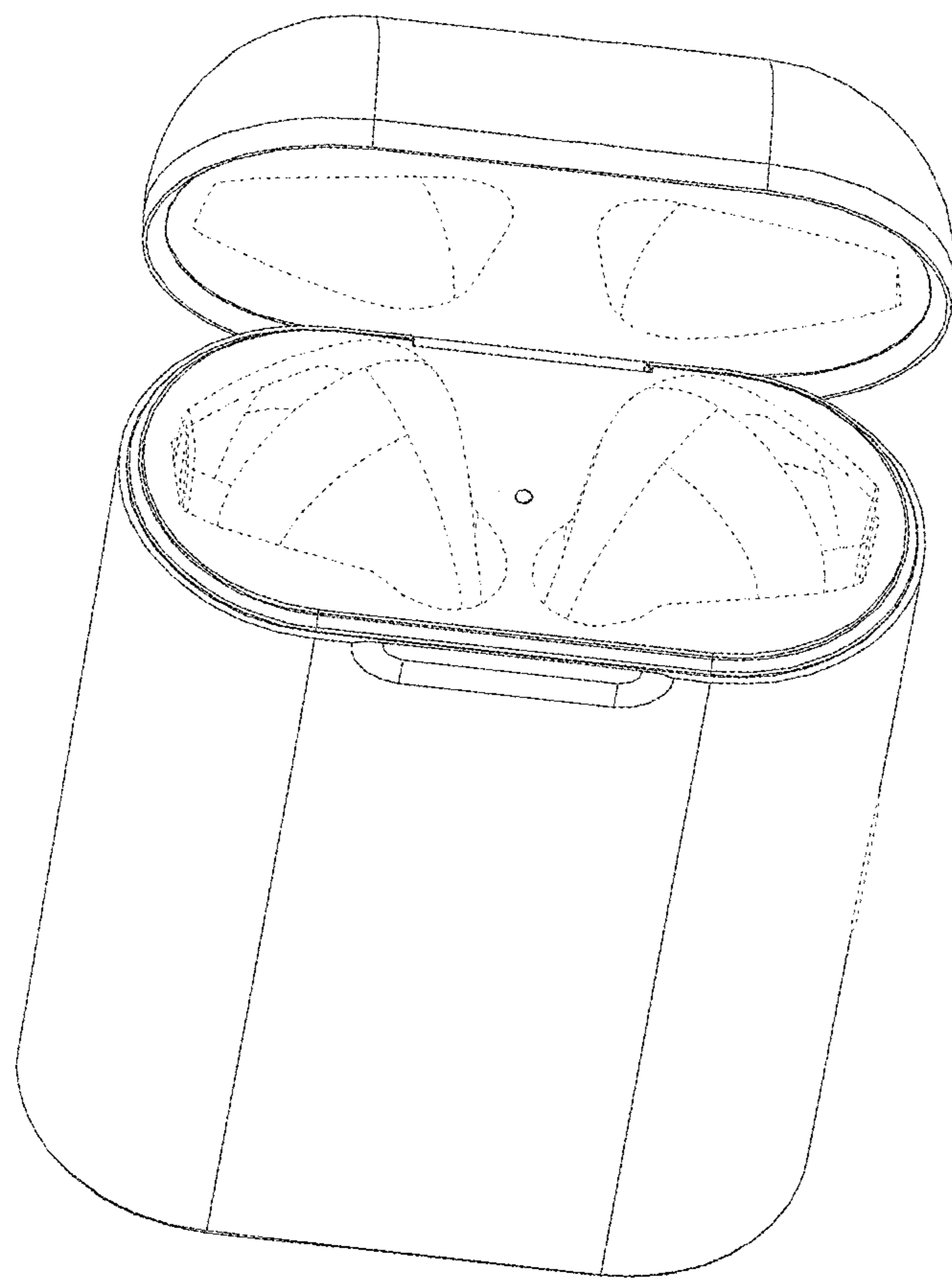


Fig. 2

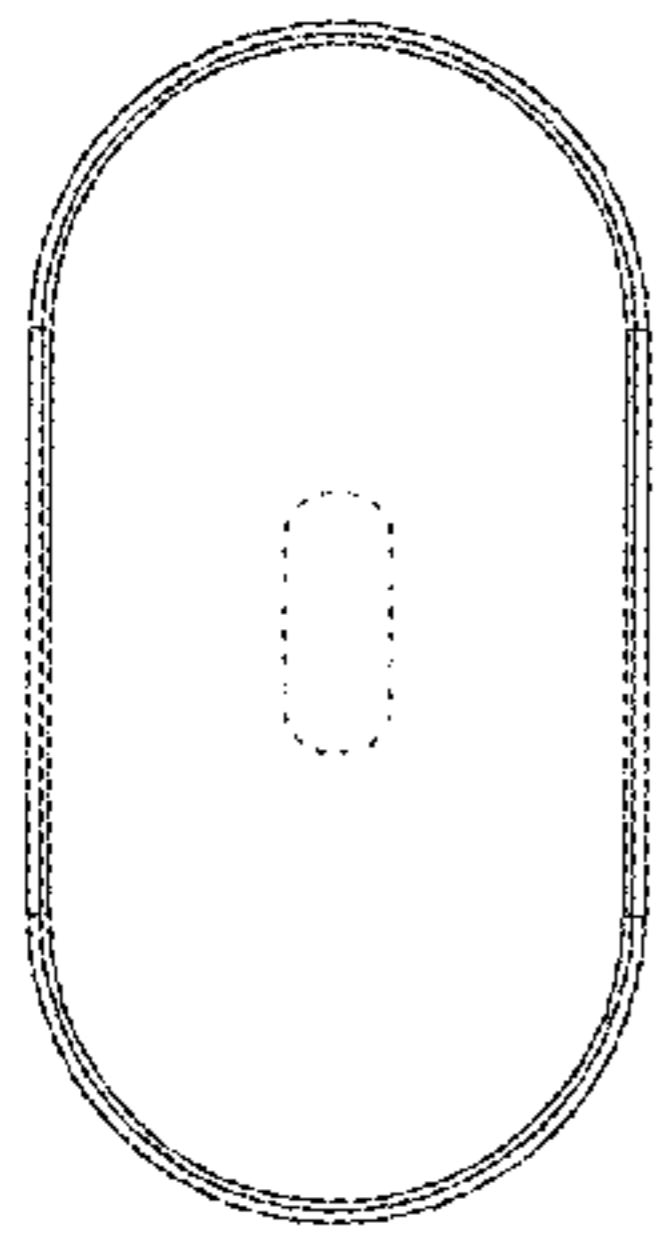


Fig. 4

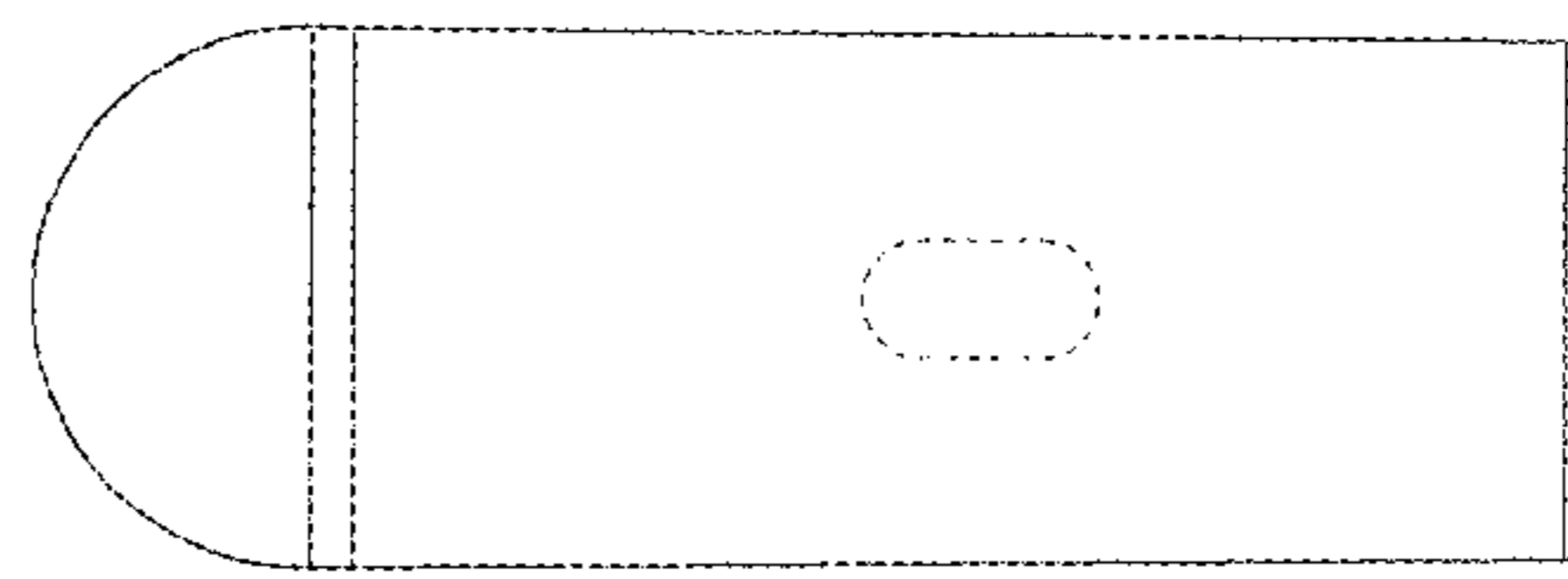


Fig. 3

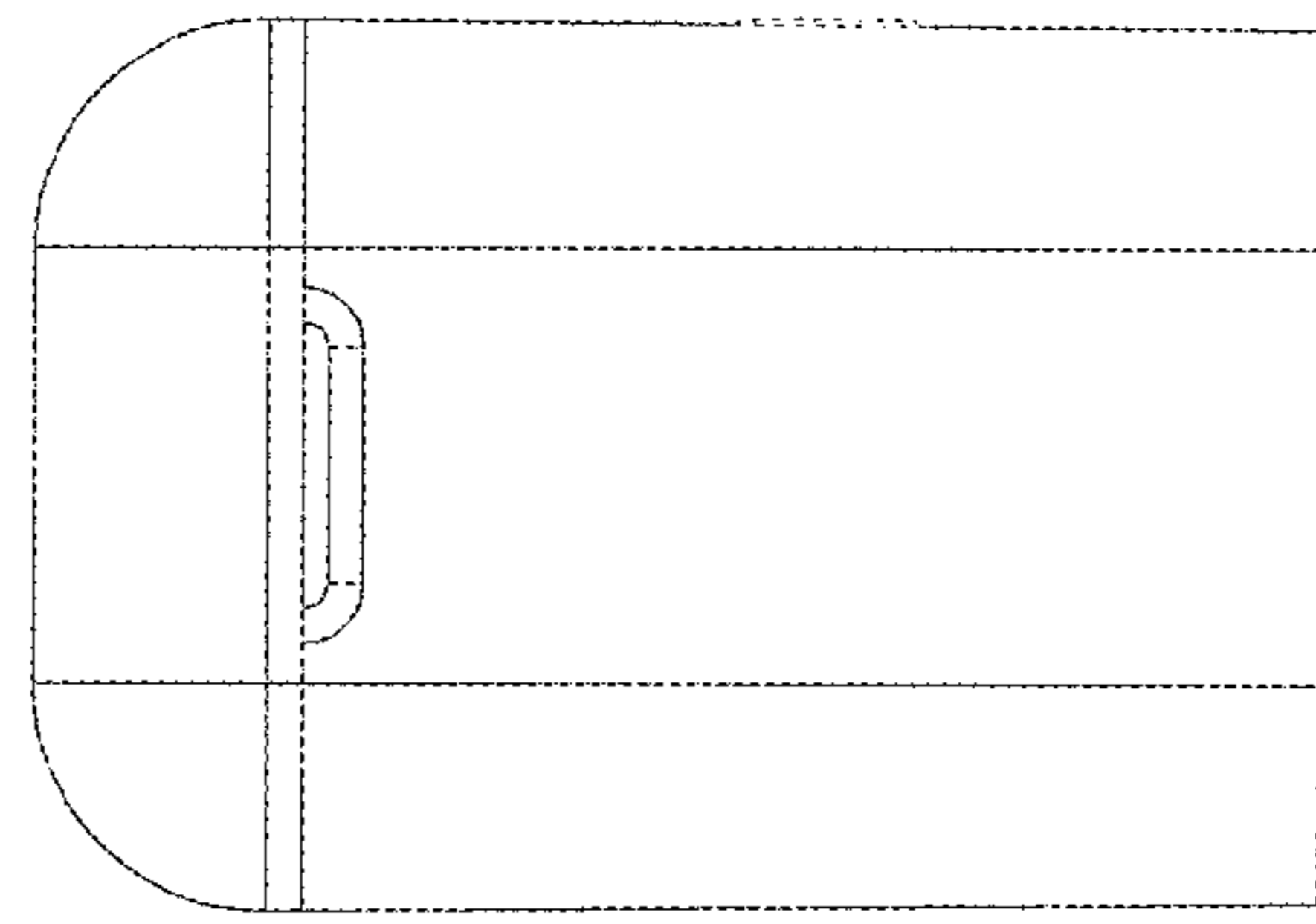


Fig. 5

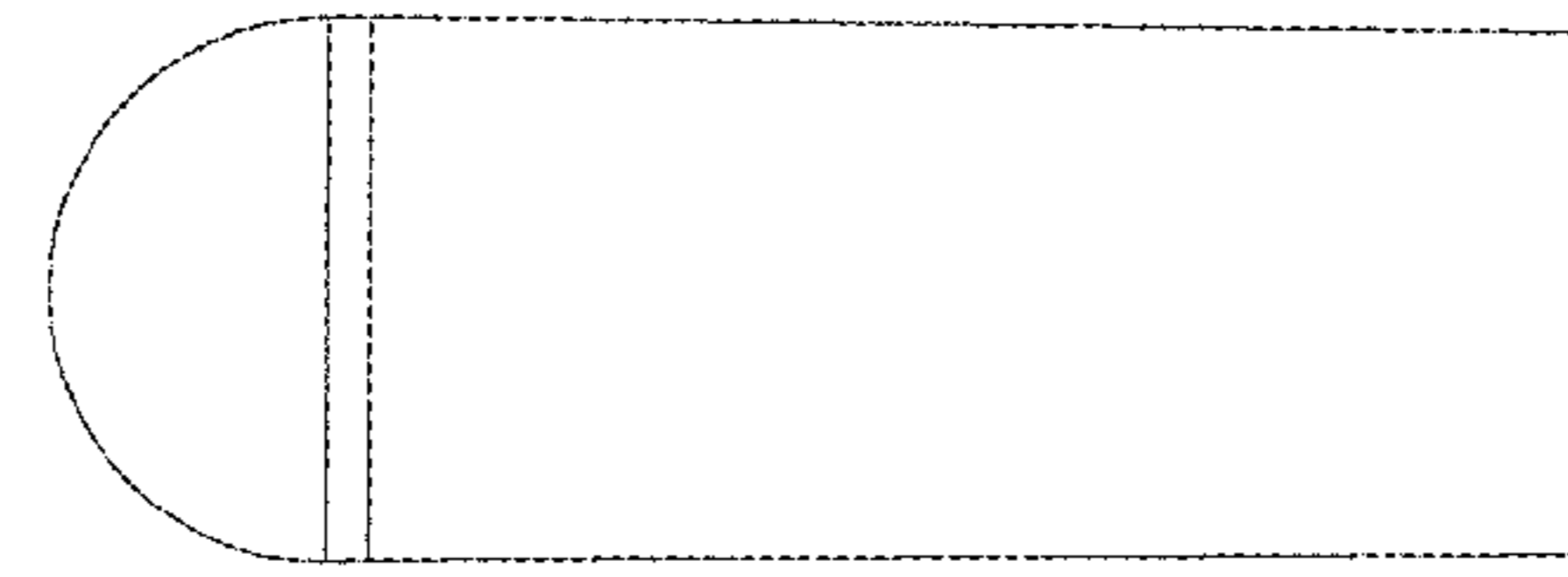


Fig. 7

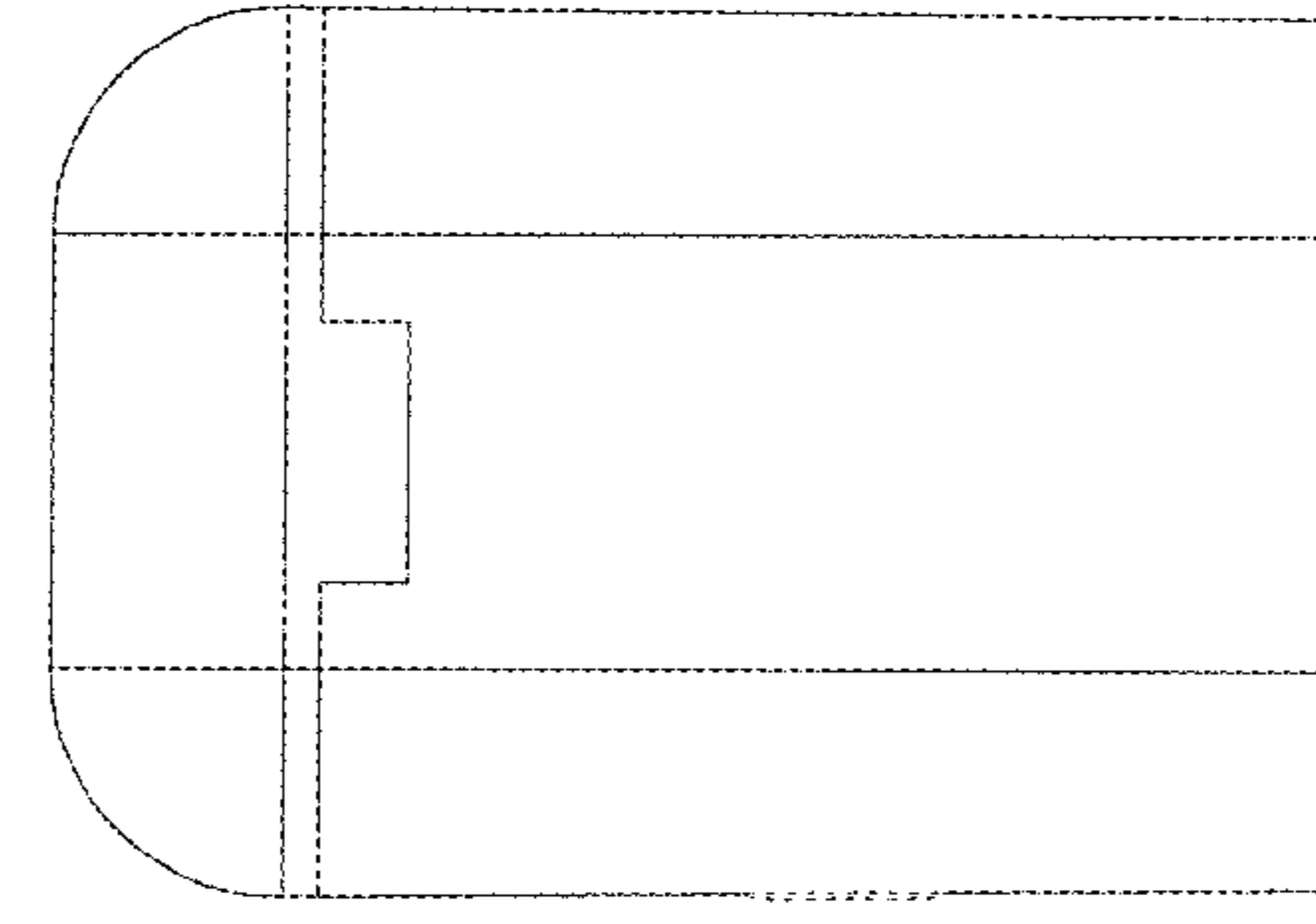


Fig. 8

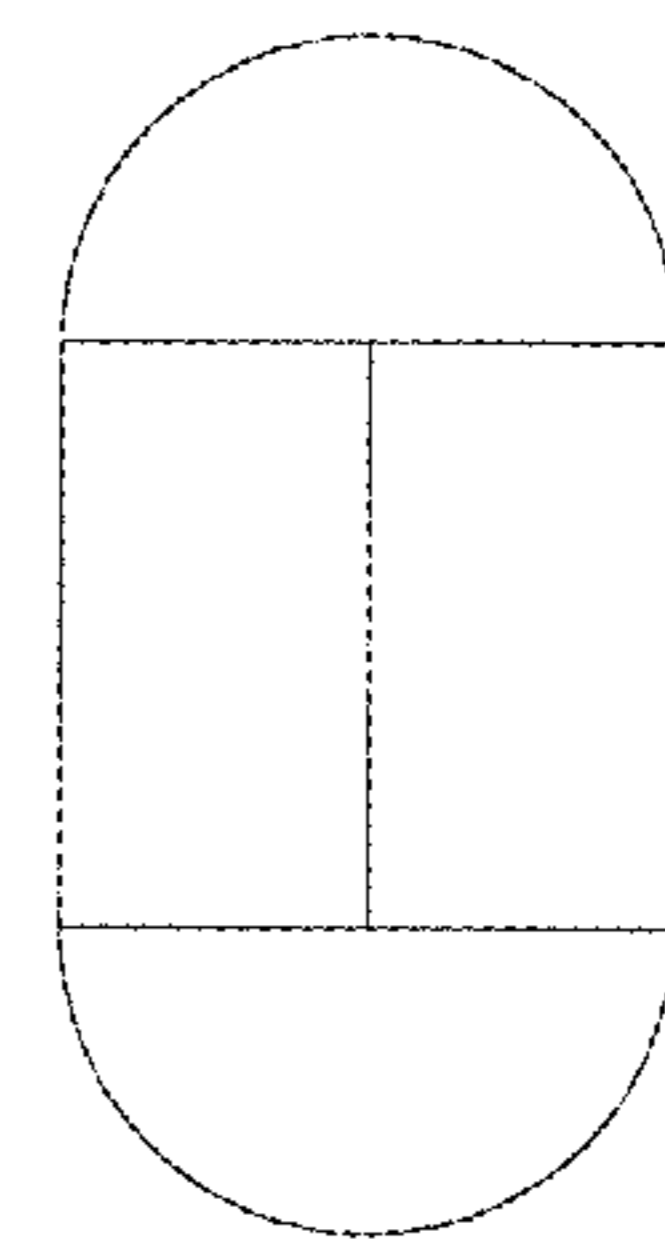


Fig. 6