



US00D933594S

(12) **United States Design Patent**
Zhang

(10) **Patent No.:** **US D933,594 S**

(45) **Date of Patent:** **** Oct. 19, 2021**

(54) **CHARGING STAND**

(71) Applicant: **SHENZHEN XINWEIDU PRODUCT DESIGN CO., LTD.**, Shenzhen (CN)

(72) Inventor: **Fan Zhang**, Shenzhen (CN)

(**) Term: **15 Years**

(21) Appl. No.: **29/710,851**

(22) Filed: **Oct. 26, 2019**

(51) **LOC (13) Cl.** **13-02**

(52) **U.S. Cl.**

USPC **D13/108**; D14/253

(58) **Field of Classification Search**

USPC D13/101, 103, 107, 108, 118, 119;
D6/682, 682.1; D14/251, 252, 253, 432,
D14/434, 447

CPC H04B 1/3877; H04B 1/3883; H04M 1/06;
G04G 19/02

See application file for complete search history.

(56) **References Cited**

U.S. PATENT DOCUMENTS

D814,413 S *	4/2018	Zhong	D13/108
D826,851 S *	8/2018	Wang	D13/108
D839,190 S *	1/2019	Xie	D13/108
D852,135 S *	6/2019	Mei	D13/108
10,312,717 B2 *	6/2019	Green	H02J 50/10
D858,437 S *	9/2019	Lu	D13/108
D873,216 S *	1/2020	Zhang	D13/108
D875,043 S *	2/2020	Yi	D13/108
D877,072 S *	3/2020	Yin	D13/108
D886,056 S *	6/2020	Zhang	D13/108
D905,042 S *	12/2020	Lim	D14/253
2016/0261139 A1 *	9/2016	Kidakarn	H02J 50/10
2020/0185952 A1 *	6/2020	Morrow	H02J 7/0027

OTHER PUBLICATIONS

“Cereecoo Wireless Charger Stand”. Found online Feb. 10, 2021 at amazon.com. Reference dated Aug. 18, 2019. Retrieved from https://www.amazon.com/Wireless-CEREECOO-Charging-Compatible-Required/dp/B07WR4Z8TS/ref=pd_lpo_107_t_2/145-7391467-2035529. (Year: 2018).*

“Beacoo Charging Stand”. Found online Mar. 1, 2021 at amazon.com. Reference dated Mar 27, 2021. Retrieved from <https://www.amazon.com/Upgraded-Charging-Station-Compatible-Airpods/dp/B07NS63CWN?th=1>. (Year: 2019).*

“Shenzhenshi Xinweidu Product Design Wireless Charger”. Found online Feb. 11, 2021 at fccid.io. Reference dated Aug. 16, 2018. Retrieved from <https://fccid.io/2AQXQAP-58/External-Photos/External-photos-3968294>. (Year: 2018).*

* cited by examiner

Primary Examiner — Kendra Leslie Hamilton

Assistant Examiner — Amanda Christensen

(57) **CLAIM**

The ornamental design for a charging stand, as shown and described.

DESCRIPTION

FIG. 1 is a top, front, right side perspective view of a charging stand, showing my new design;

FIG. 2 is a front elevation view thereof;

FIG. 3 is a rear elevation view thereof;

FIG. 4 is a left side elevation view thereof;

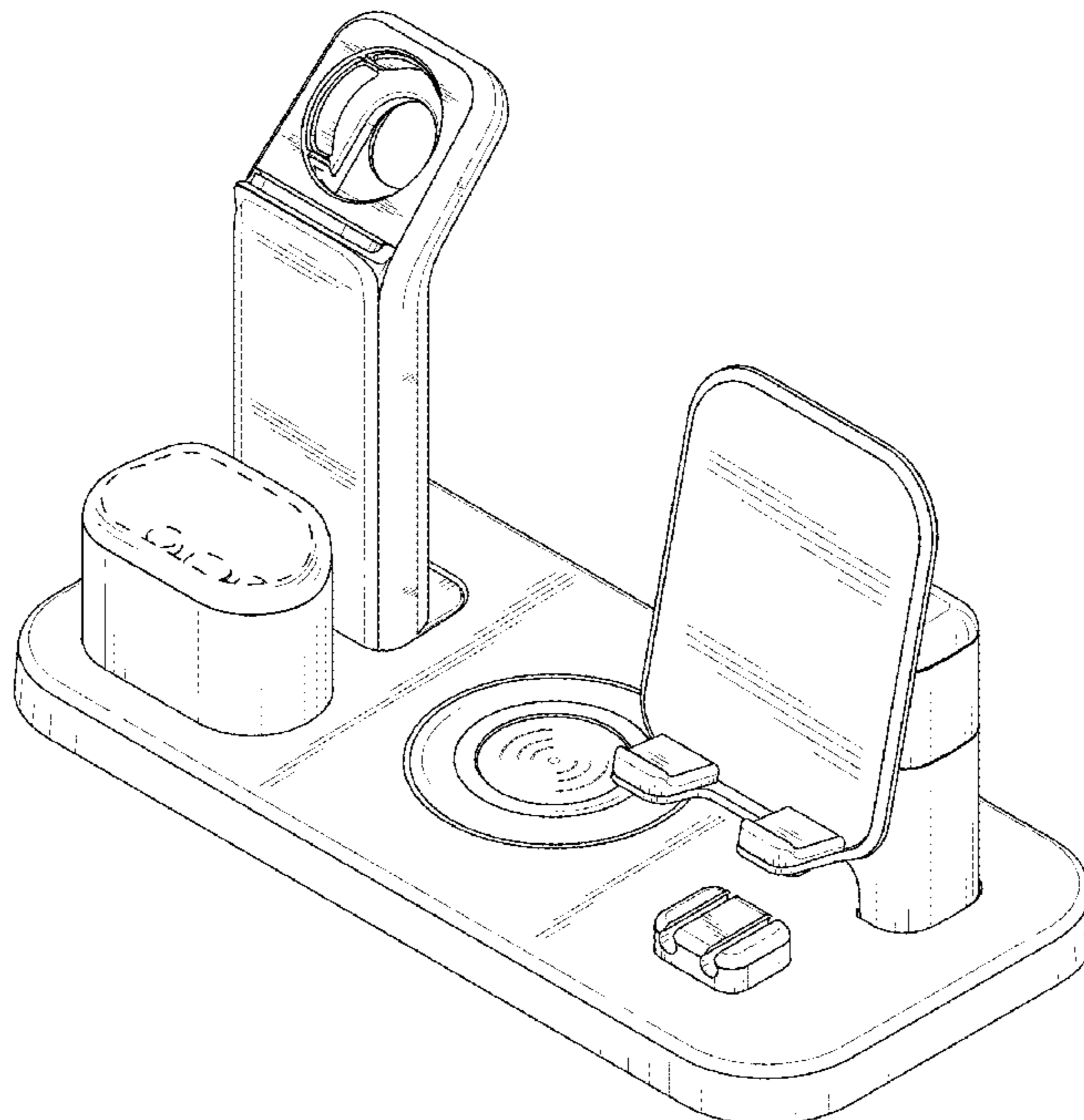
FIG. 5 is a right side elevation view thereof;

FIG. 6 is a top plan view thereof; and,

FIG. 7 is a bottom plan view thereof; thereof.

The broken lines depict portions of the charging stand that form no part of the claimed design.

1 Claim, 7 Drawing Sheets



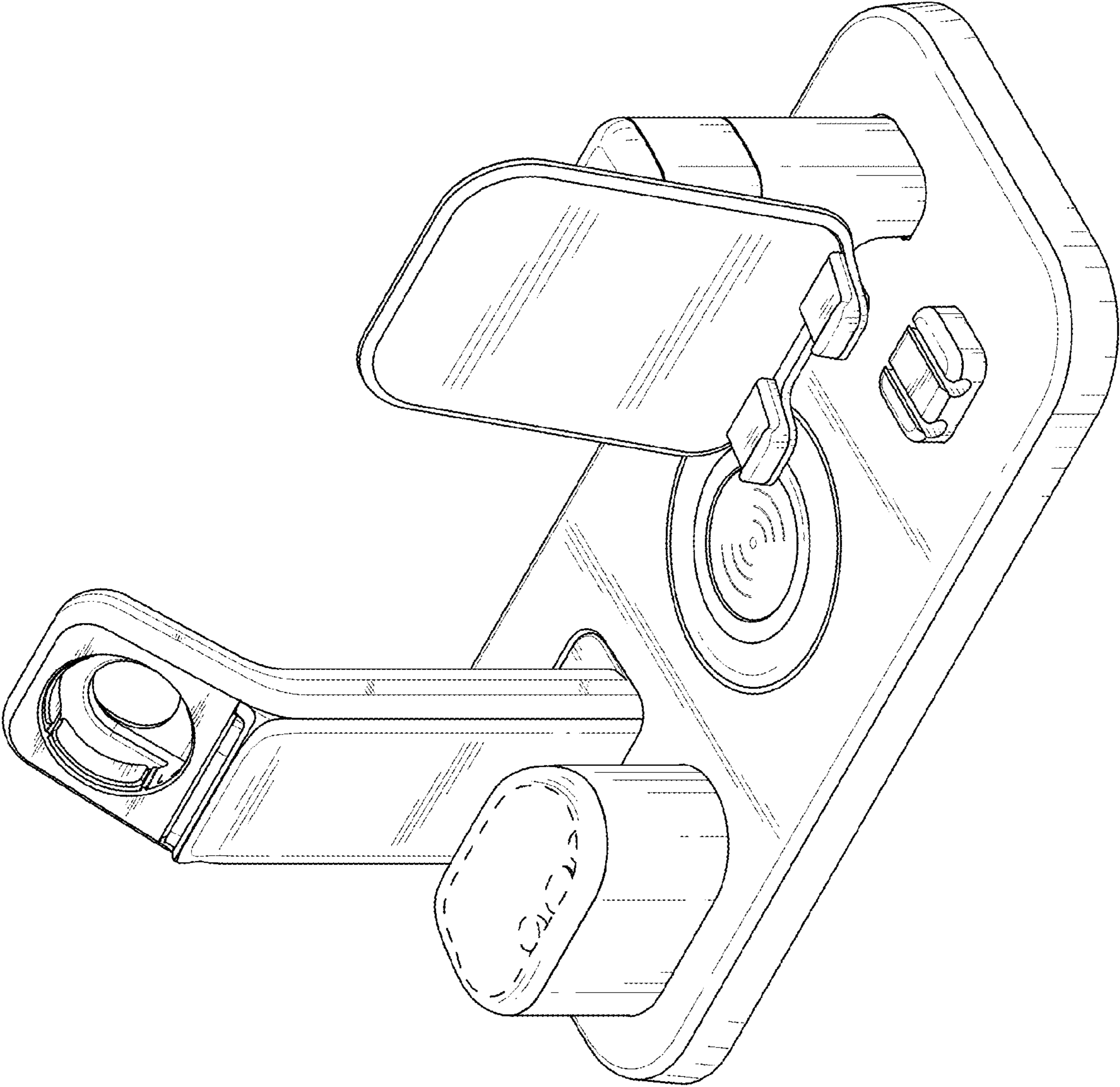


FIG. 1

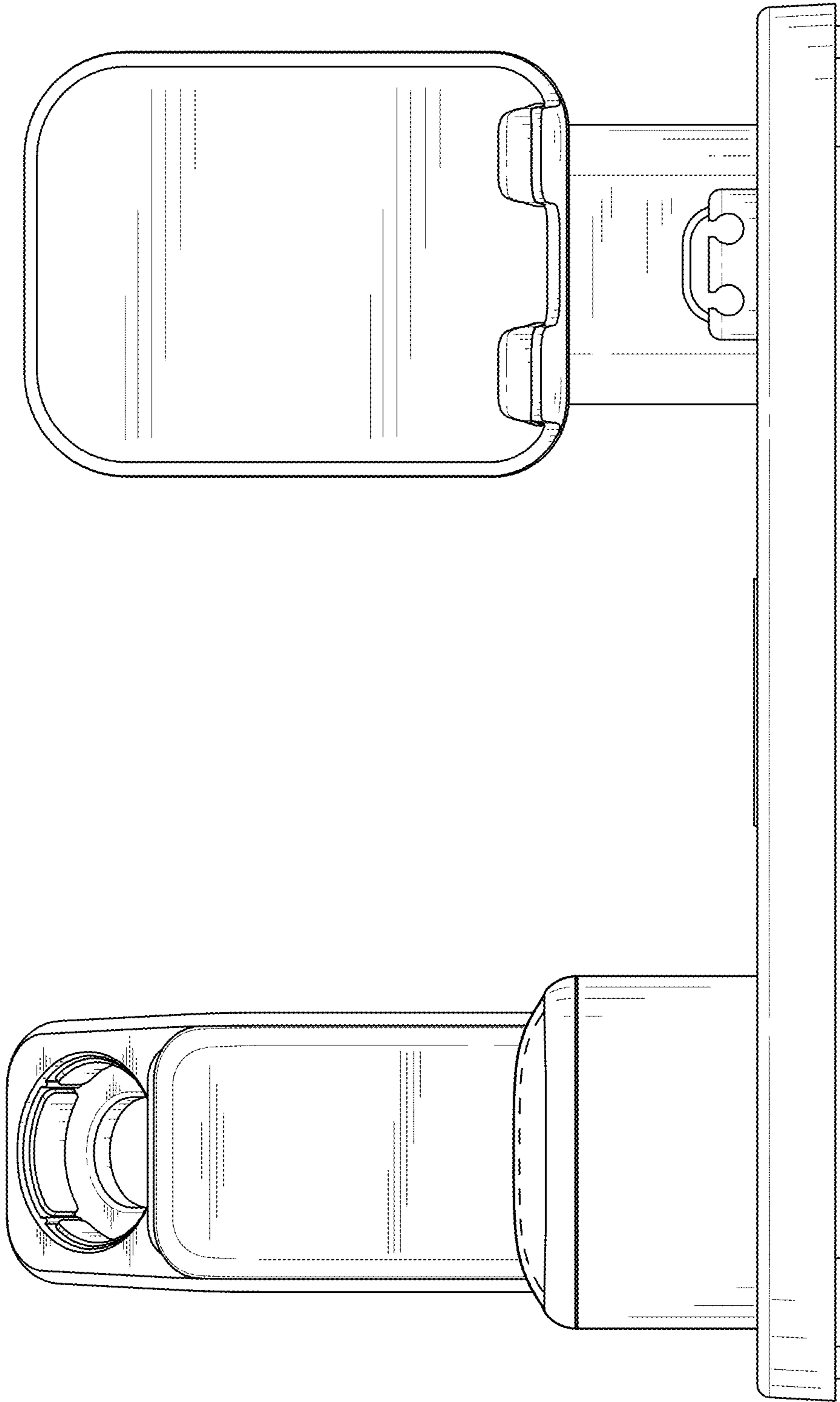


FIG. 2

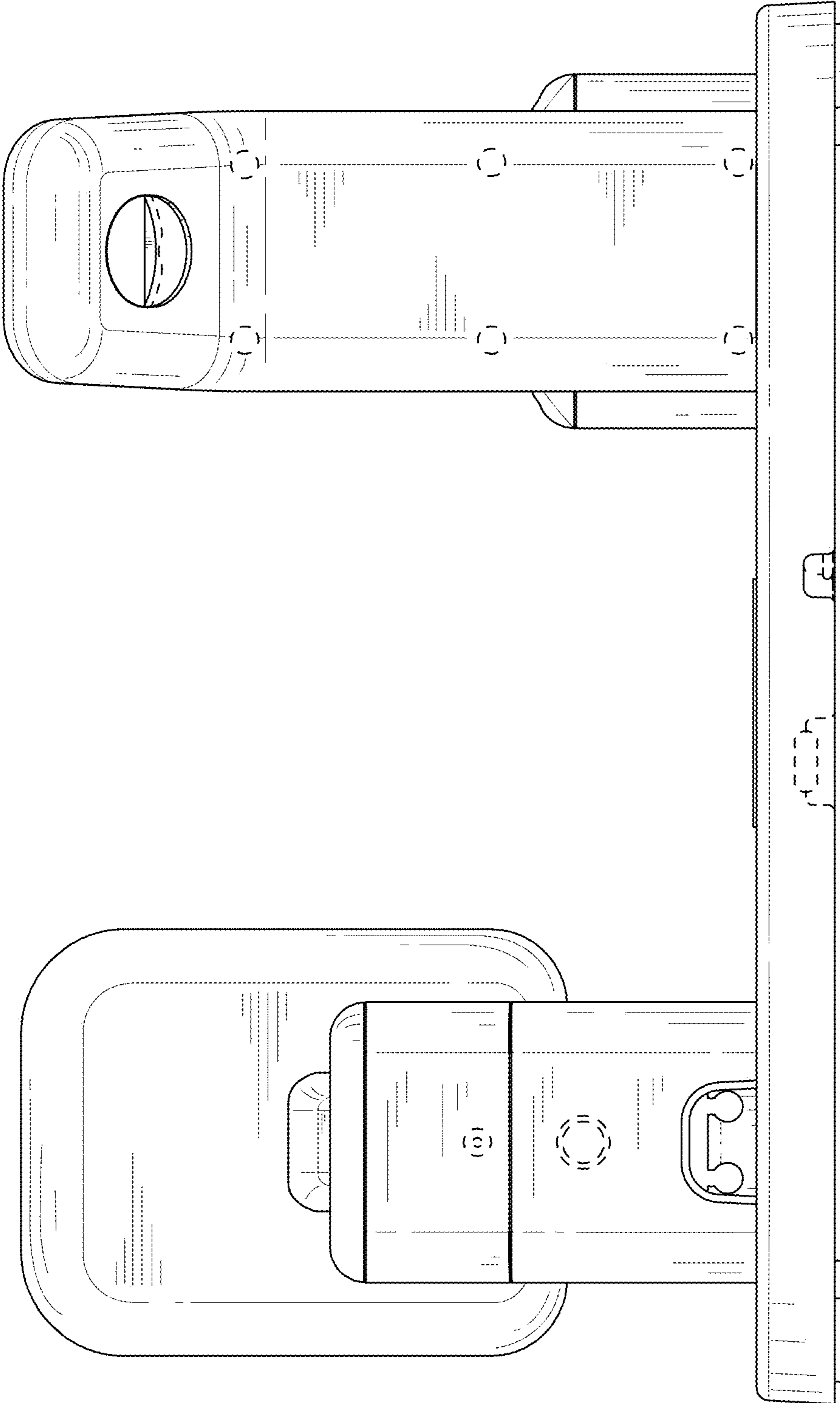


FIG. 3

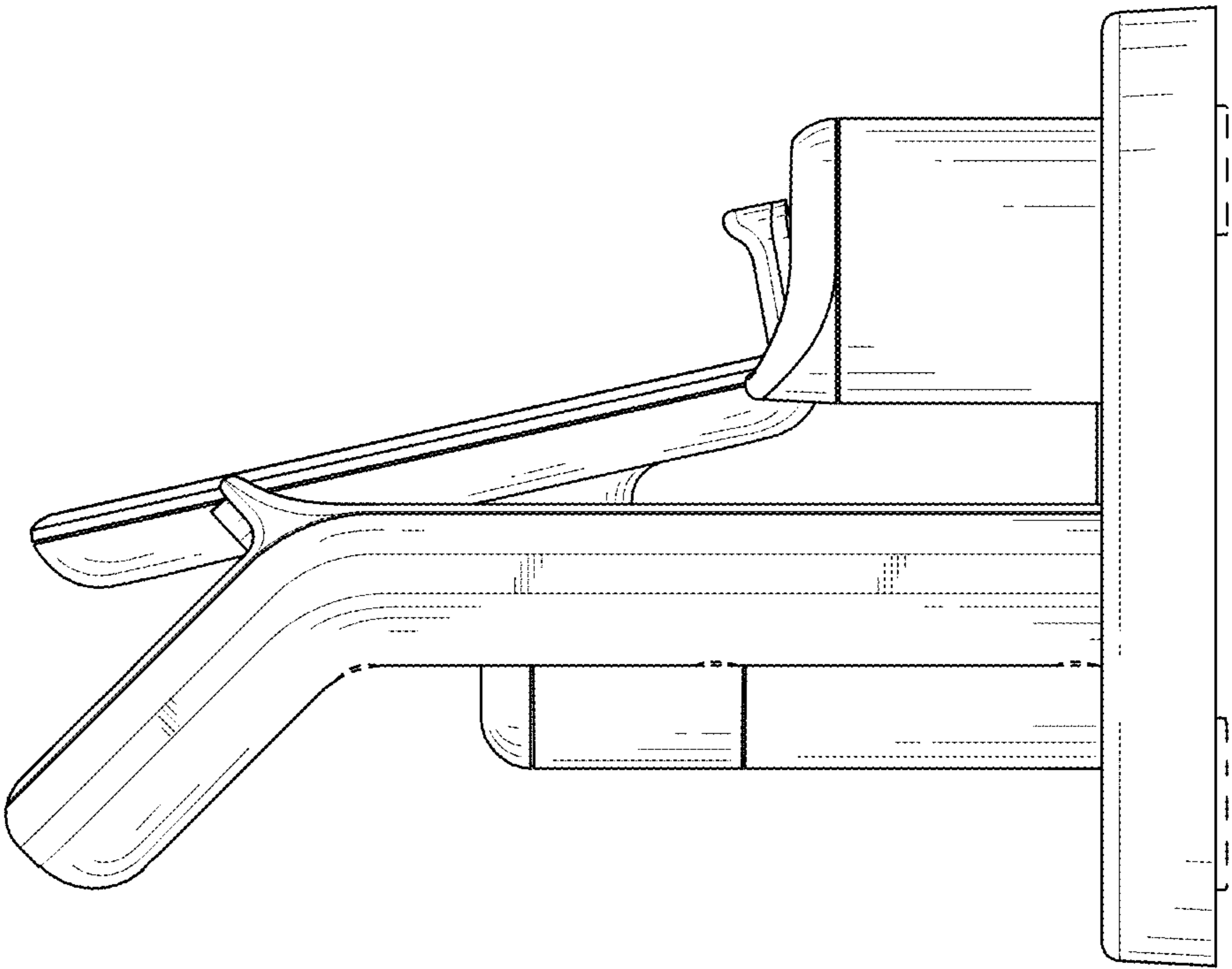


FIG. 4

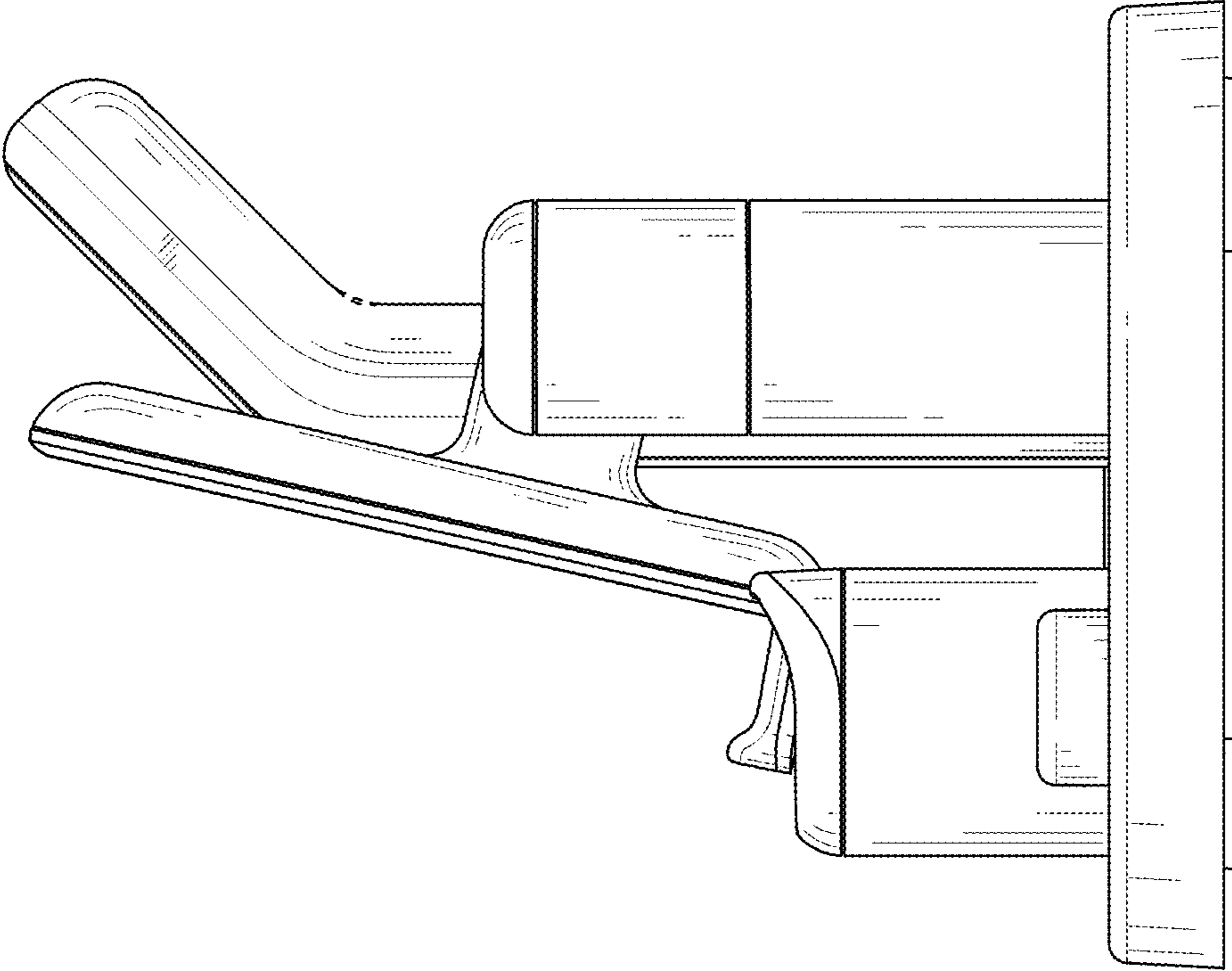


FIG. 5

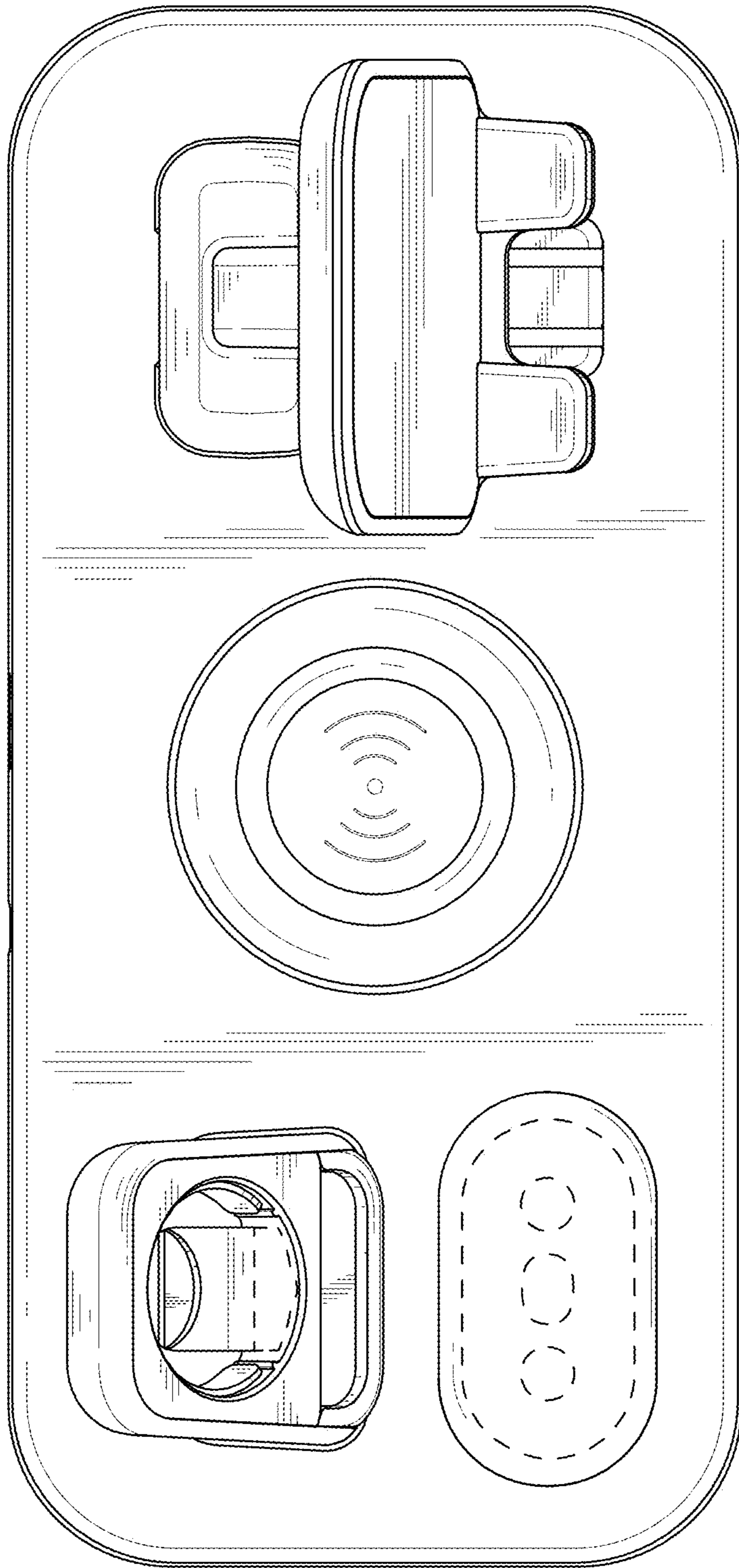


FIG. 6

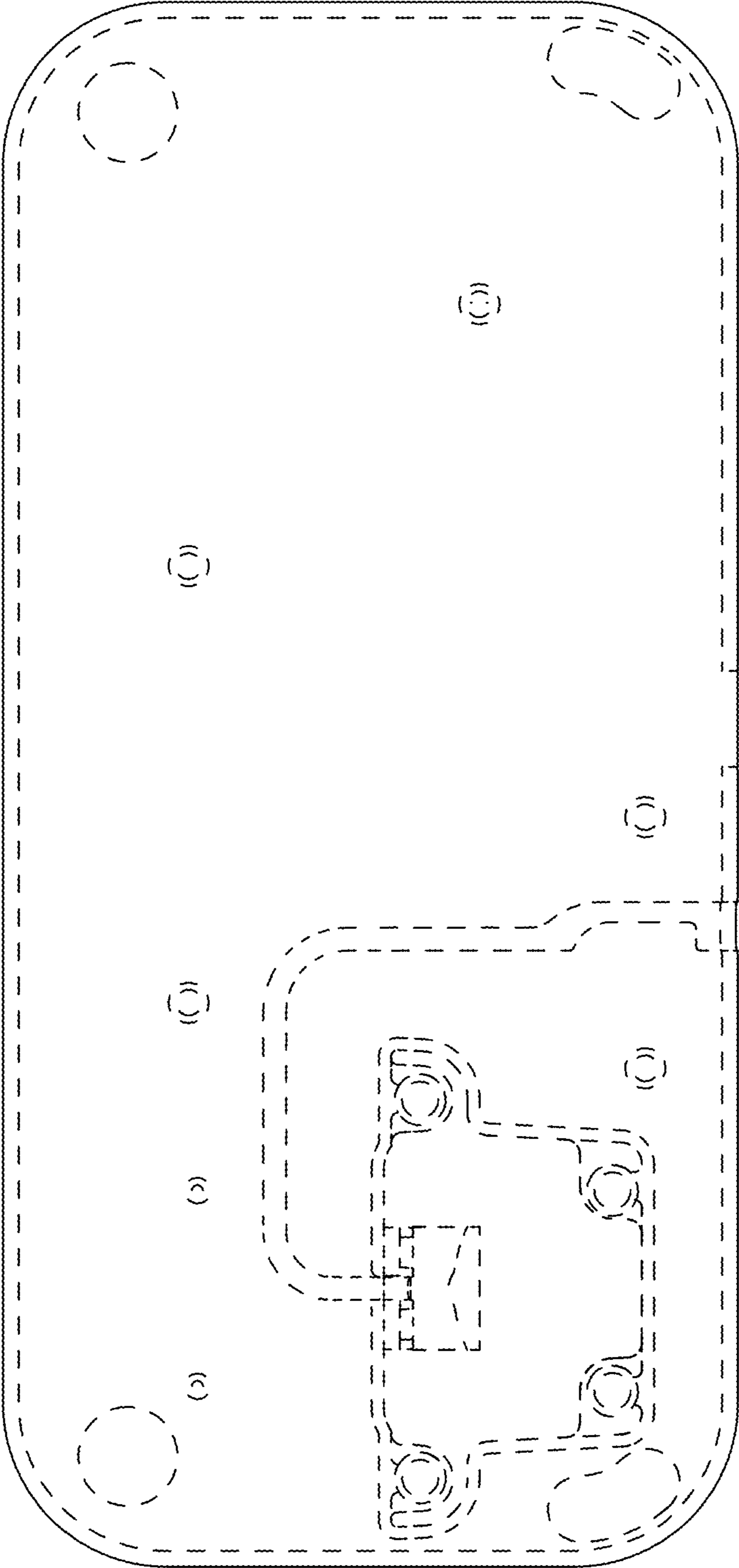


FIG. 7