



US00D933593S

(12) **United States Design Patent** (10) **Patent No.:** **US D933,593 S**
Zhan (45) **Date of Patent:** **** Oct. 19, 2021**

(54) **BATTERY CHARGER**

(71) Applicant: **Jixiang Zhan**, Ningbo (CN)

(72) Inventor: **Jixiang Zhan**, Ningbo (CN)

(**) Term: **15 Years**

(21) Appl. No.: **29/757,662**

(22) Filed: **Nov. 9, 2020**

(30) **Foreign Application Priority Data**

Oct. 15, 2020 (CN) 202030612809.6

(51) **LOC (13) Cl.** **13-02**

(52) **U.S. Cl.**
USPC **D13/107**

(58) **Field of Classification Search**
USPC D13/103, 107-110, 118-119, 184, 199;
D14/251, 253, 432, 434, 433
CPC H02J 7/025; H02J 7/005; H02J 7/0026;
H02J 7/0042; H02J 7/0044; H02J 7/0045;
H02J 7/0013; H02J 7/0003
See application file for complete search history.

(56) **References Cited**

U.S. PATENT DOCUMENTS

D409,138 S * 5/1999 Gammenthaler D13/110
D483,329 S * 12/2003 Kuo D13/110

D485,810 S * 1/2004 Fiocchi D13/184
D537,410 S * 2/2007 Yuen D13/110
D553,564 S * 10/2007 Kuo D13/110
D705,162 S * 5/2014 Mueller D13/110
D727,906 S * 4/2015 Neumann D14/433
D786,192 S * 5/2017 Liu D13/107
D851,586 S * 6/2019 Liu D13/108
D853,956 S 7/2019 Lau et al.
D895,540 S 9/2020 Hasenmayer et al.
D913,227 S * 3/2021 Chen D13/110

* cited by examiner

Primary Examiner — Rosemary K Tarcza

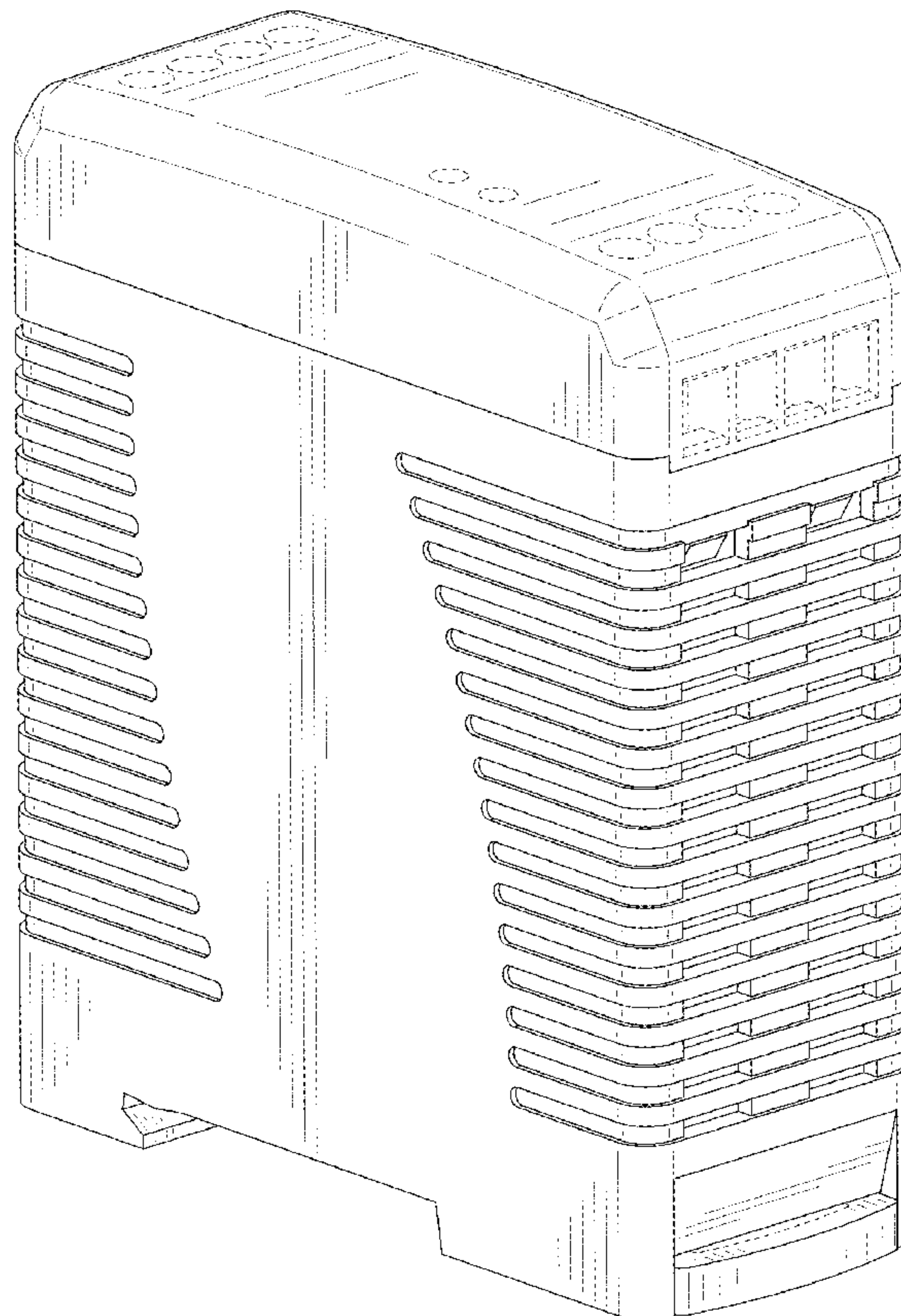
(57) **CLAIM**

The ornamental design for a battery charger, as shown and described.

DESCRIPTION

FIG. 1 is a perspective view of a battery charger showing my new design;
FIG. 2 is another perspective view thereof;
FIG. 3 is a front elevational view thereof;
FIG. 4 is a rear elevational view thereof;
FIG. 5 is a left side elevational view thereof;
FIG. 6 is a right side elevational view thereof;
FIG. 7 is a top plan view thereof; and
FIG. 8 is a bottom plan view thereof; and,
FIG. 9 is an enlarged view of portion 9 shown in FIG. 2.
The broken lines in the drawings depict portions of the battery charger that form no part of the claimed design.

1 Claim, 9 Drawing Sheets



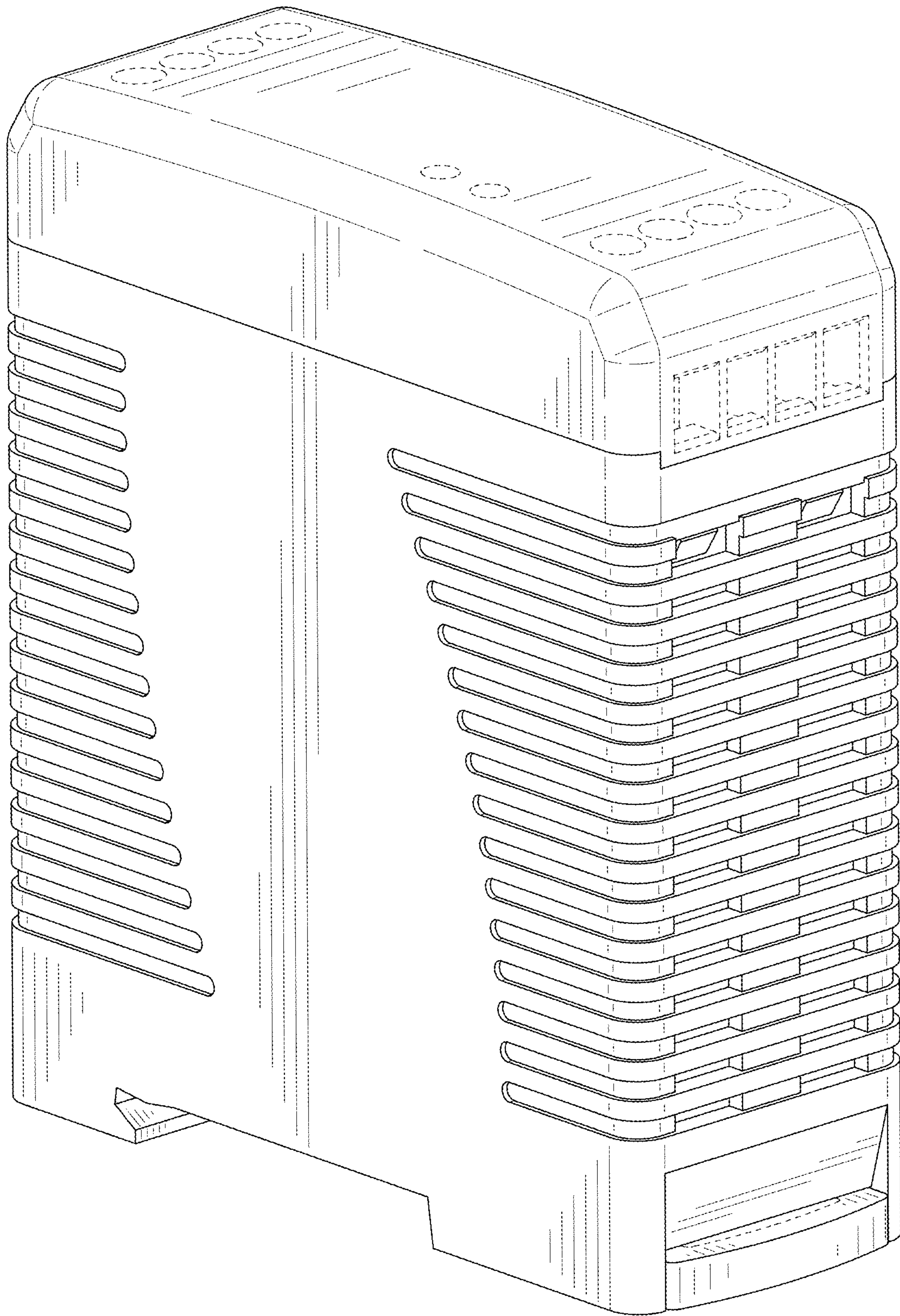


FIG. 1

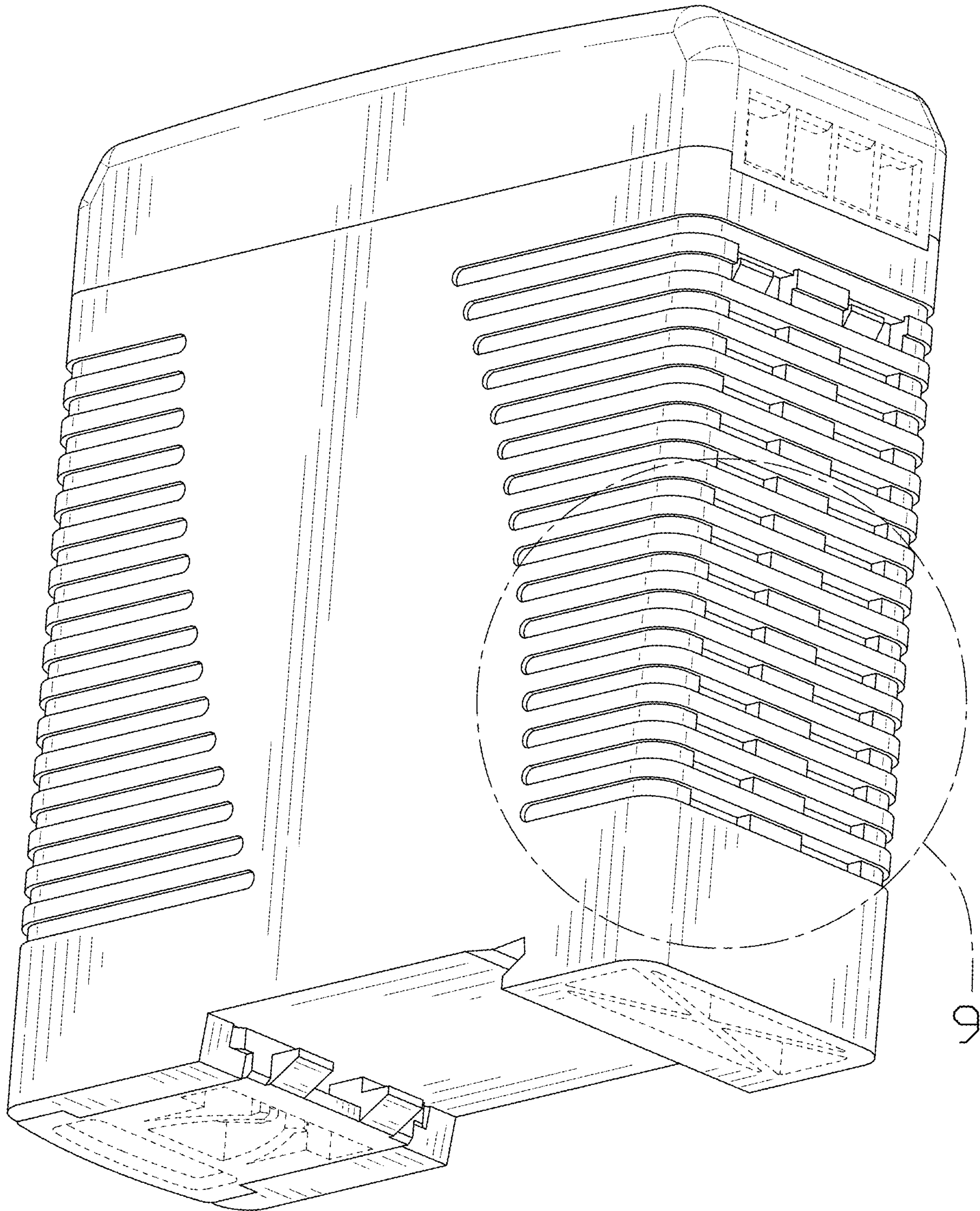


FIG. 2

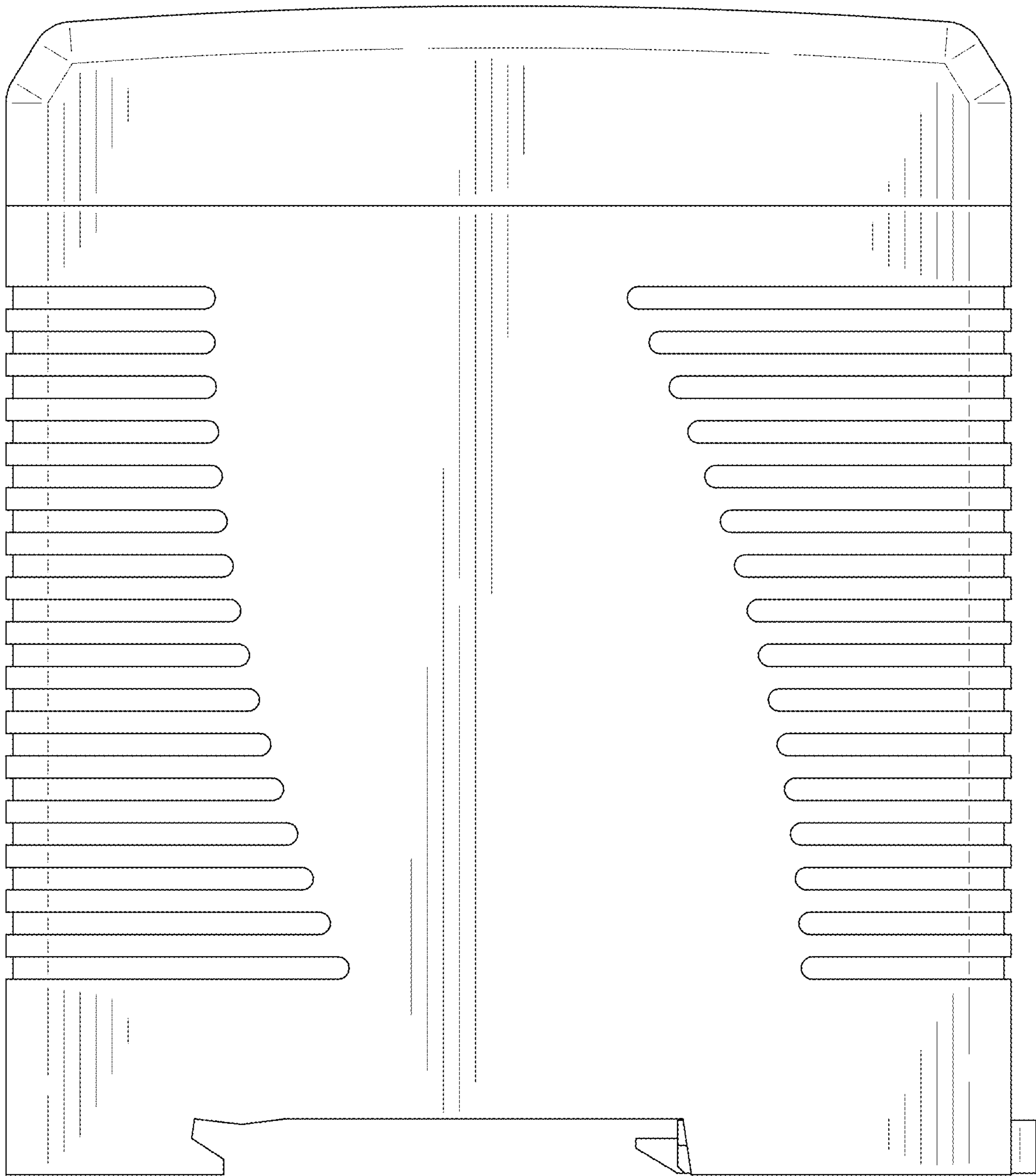


FIG. 3

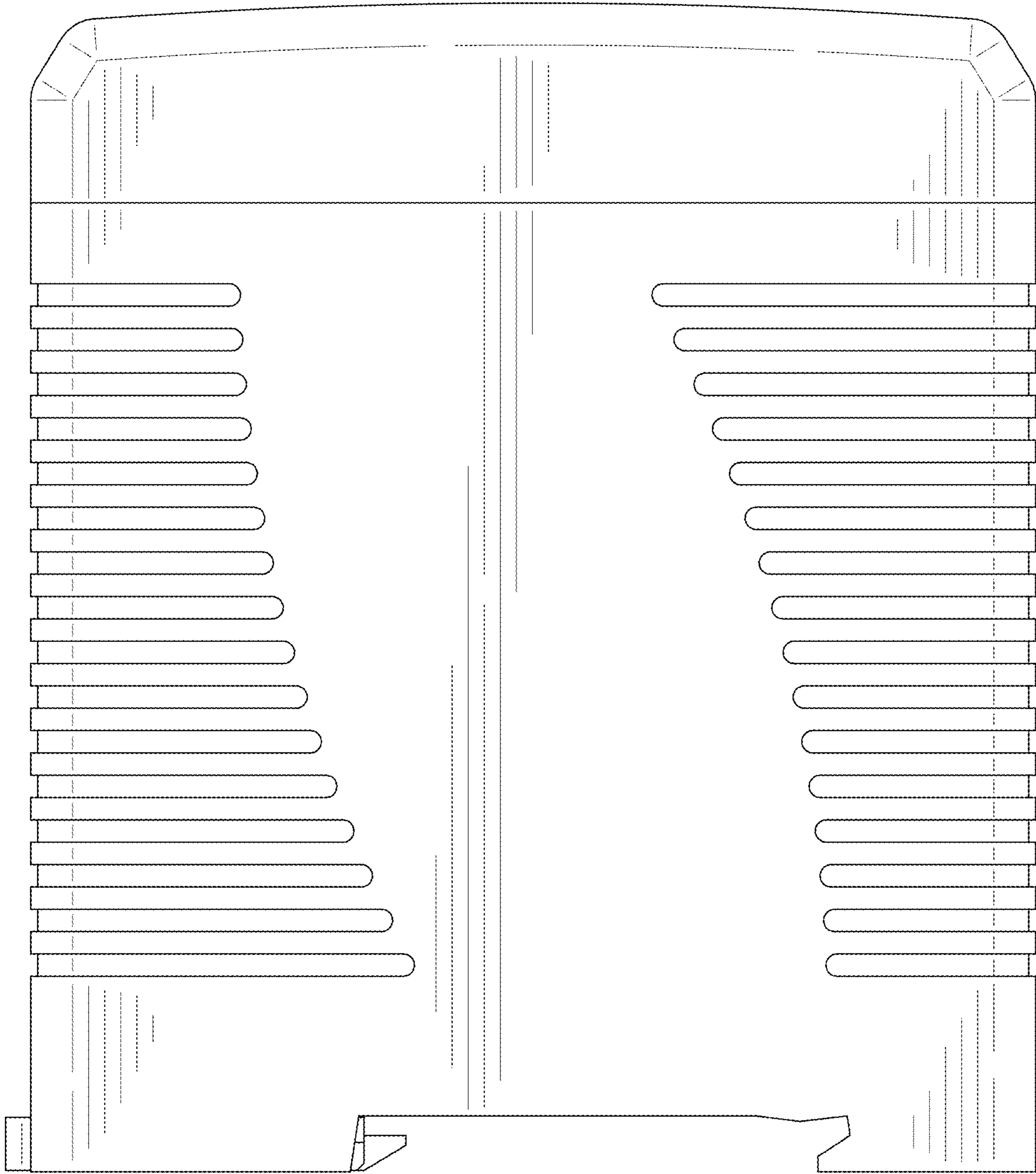


FIG. 4

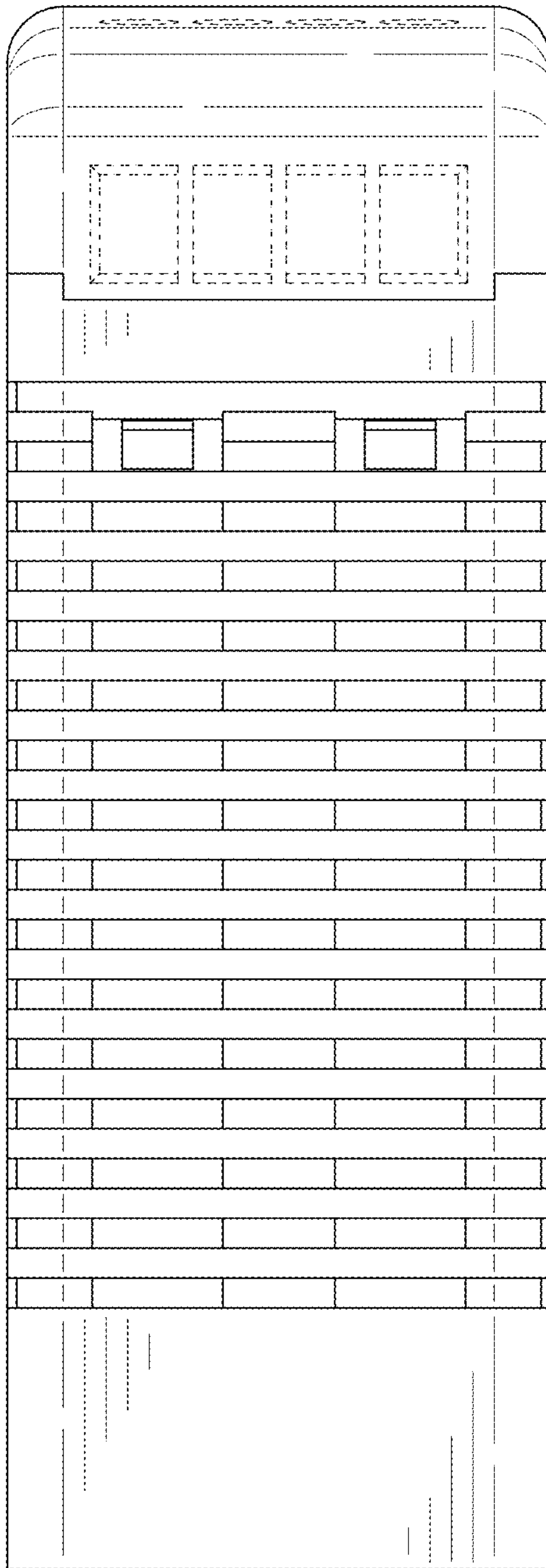


FIG. 5

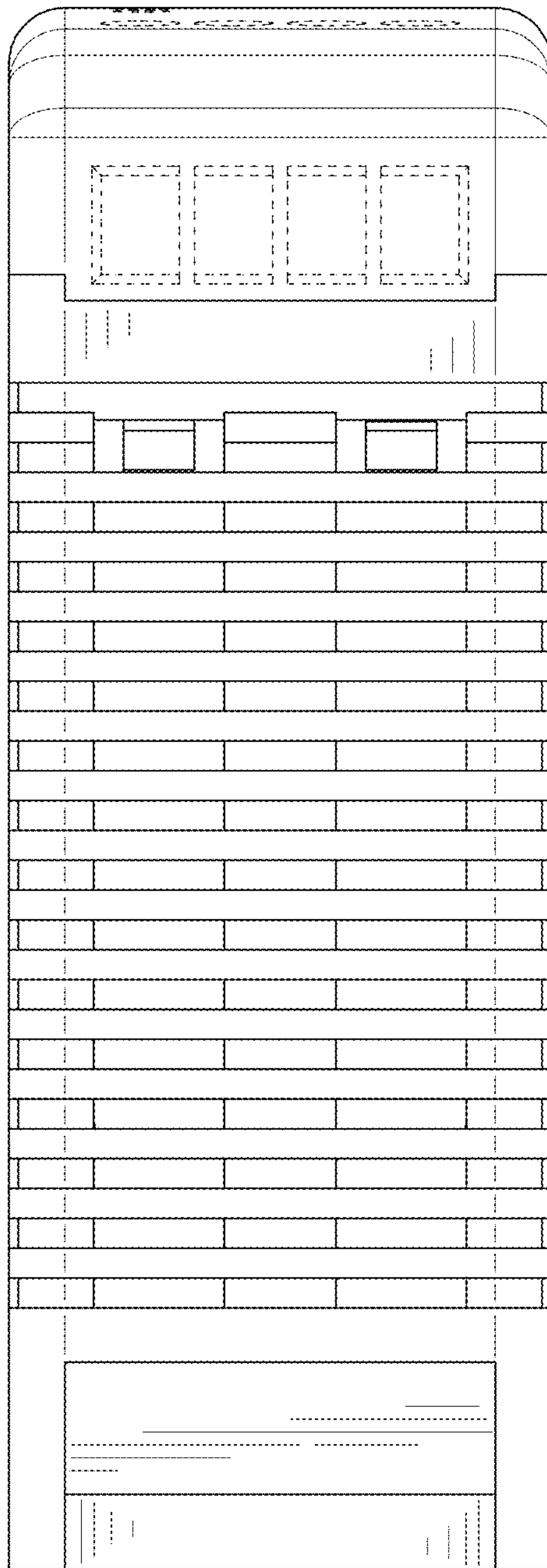


FIG. 6

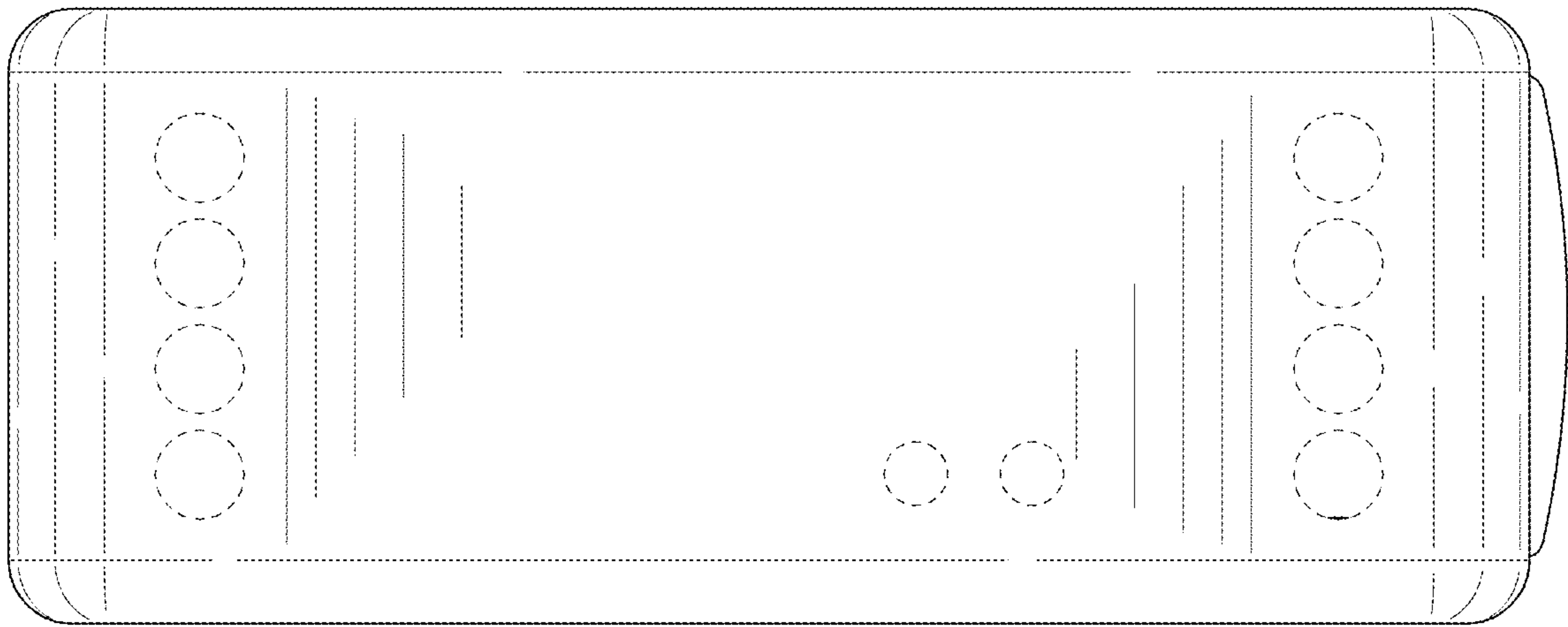


FIG. 7

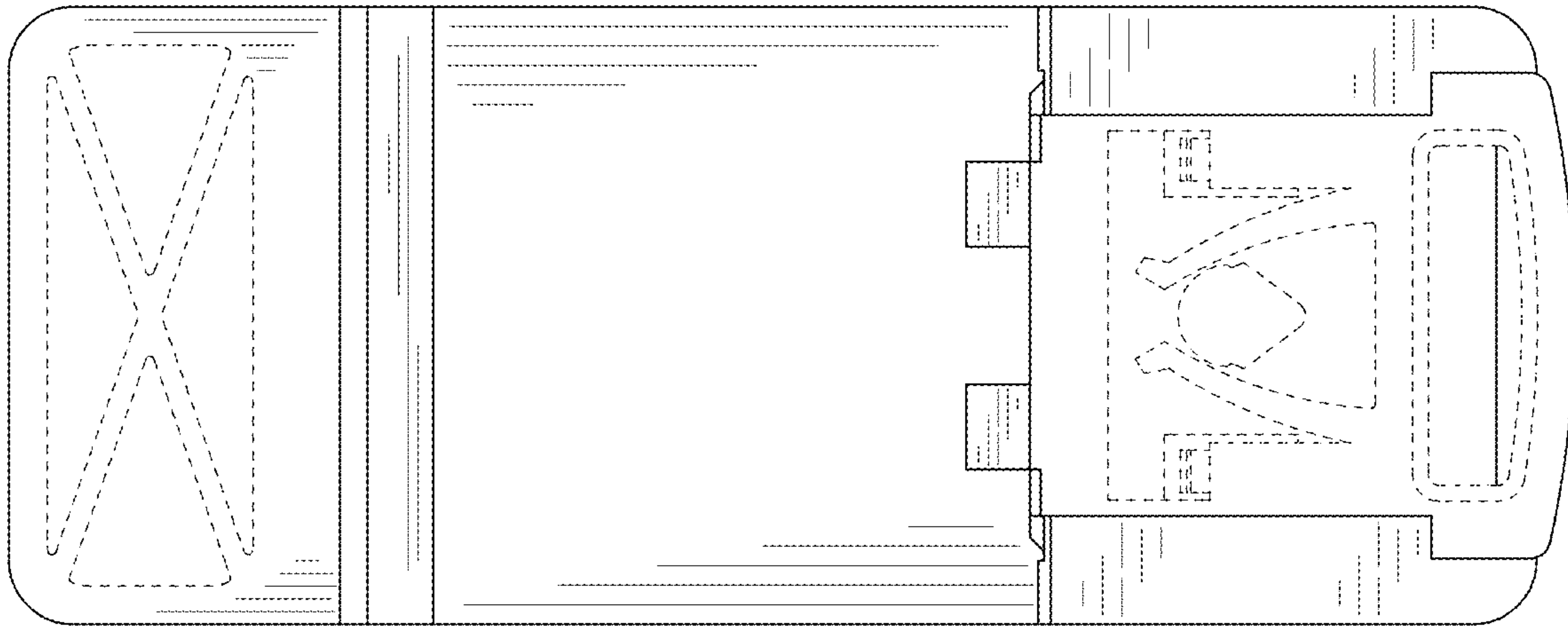


FIG. 8

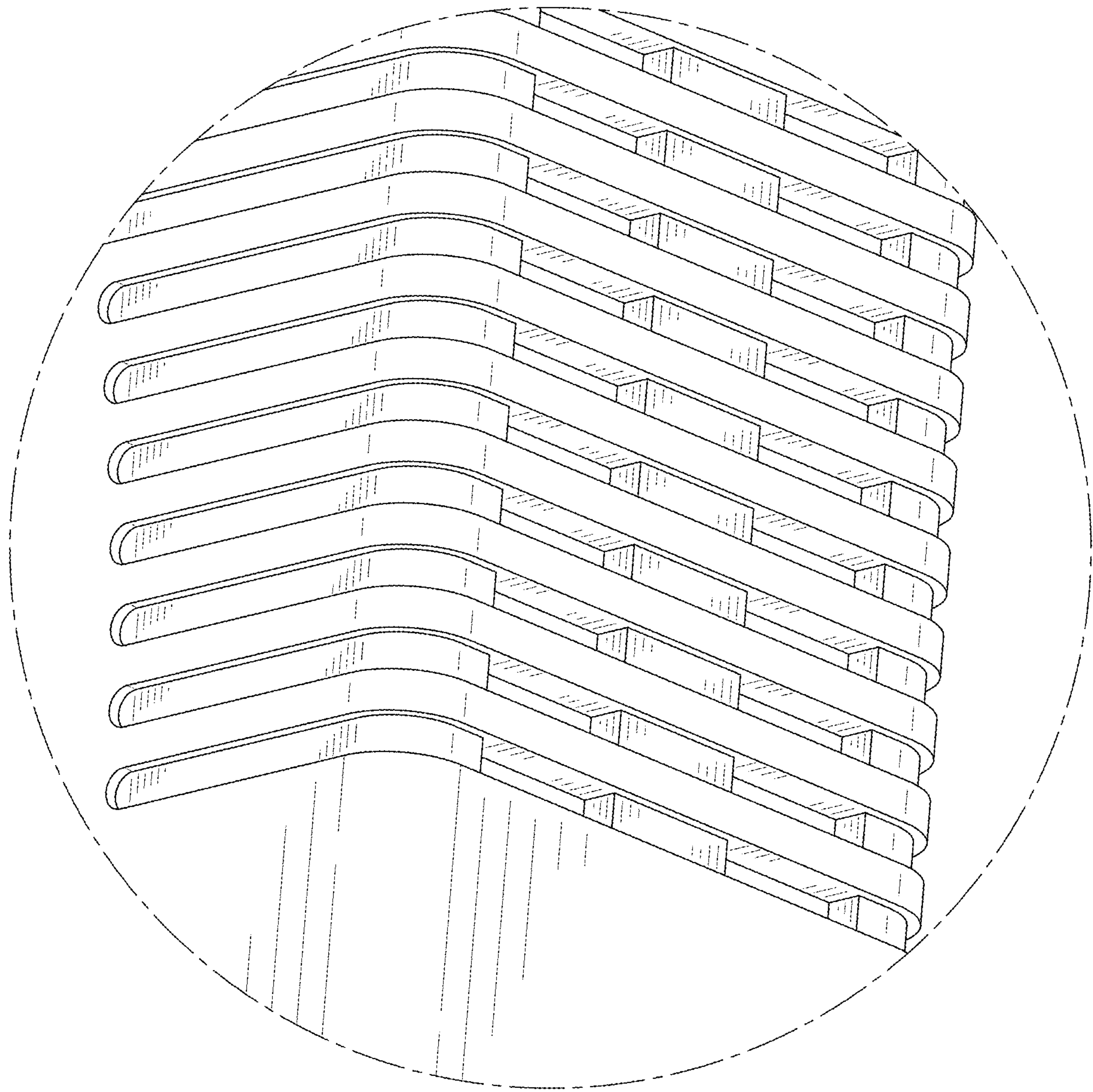


FIG. 9