



US00D933592S

(12) **United States Design Patent**
Liu

(10) **Patent No.:** **US D933,592 S**

(45) **Date of Patent:** **** Oct. 19, 2021**

(54) **BATTERY FOR ELECTRONIC CIGARETTE**

(56) **References Cited**

(71) Applicant: **Shenzhen Eigate Technology Co., Ltd.**, Shenzhen (CN)

U.S. PATENT DOCUMENTS

(72) Inventor: **Tuanfang Liu**, Shenzhen (CN)

D776,051 S *	1/2017	Wang	D13/103
D805,028 S *	12/2017	Liu	D13/103
D805,470 S *	12/2017	Qiu	D13/103
D807,286 S *	1/2018	Qiu	D13/103
D825,455 S *	8/2018	Liu	D13/103
D839,823 S *	2/2019	Lemelson	D13/103
D842,237 S *	3/2019	Qiu	D13/103
D842,238 S *	3/2019	Qiu	D13/103
D861,594 S *	10/2019	Lai	D13/103
D870,034 S *	12/2019	Lai	D13/103
D892,039 S *	8/2020	Chen	D13/103
D917,381 S *	4/2021	Ouyang	D13/103
D917,382 S *	4/2021	Qiu	D13/103

(73) Assignee: **SHENZHEN EIGATE TECHNOLOGY CO., LTD.**, Shenzhen (CN)

(**) Term: **15 Years**

(21) Appl. No.: **29/749,889**

(22) Filed: **Sep. 9, 2020**

* cited by examiner

(30) **Foreign Application Priority Data**

Mar. 12, 2020 (CN) 202030082696.3

Primary Examiner — Nathaniel D. Buckner

(51) **LOC (13) Cl.** **13-02**

(74) *Attorney, Agent, or Firm* — Matthias Scholl P.C.; Matthias Scholl

(52) **U.S. Cl.**
USPC **D13/103; D27/194**

(57) **CLAIM**

The ornamental design for a battery for an electronic cigarette, as shown and described.

(58) **Field of Classification Search**
USPC D13/102–106, 110, 118–119, 184;
D27/194, 193, 189, 186, 167, 162–163,
D27/141, 101

DESCRIPTION

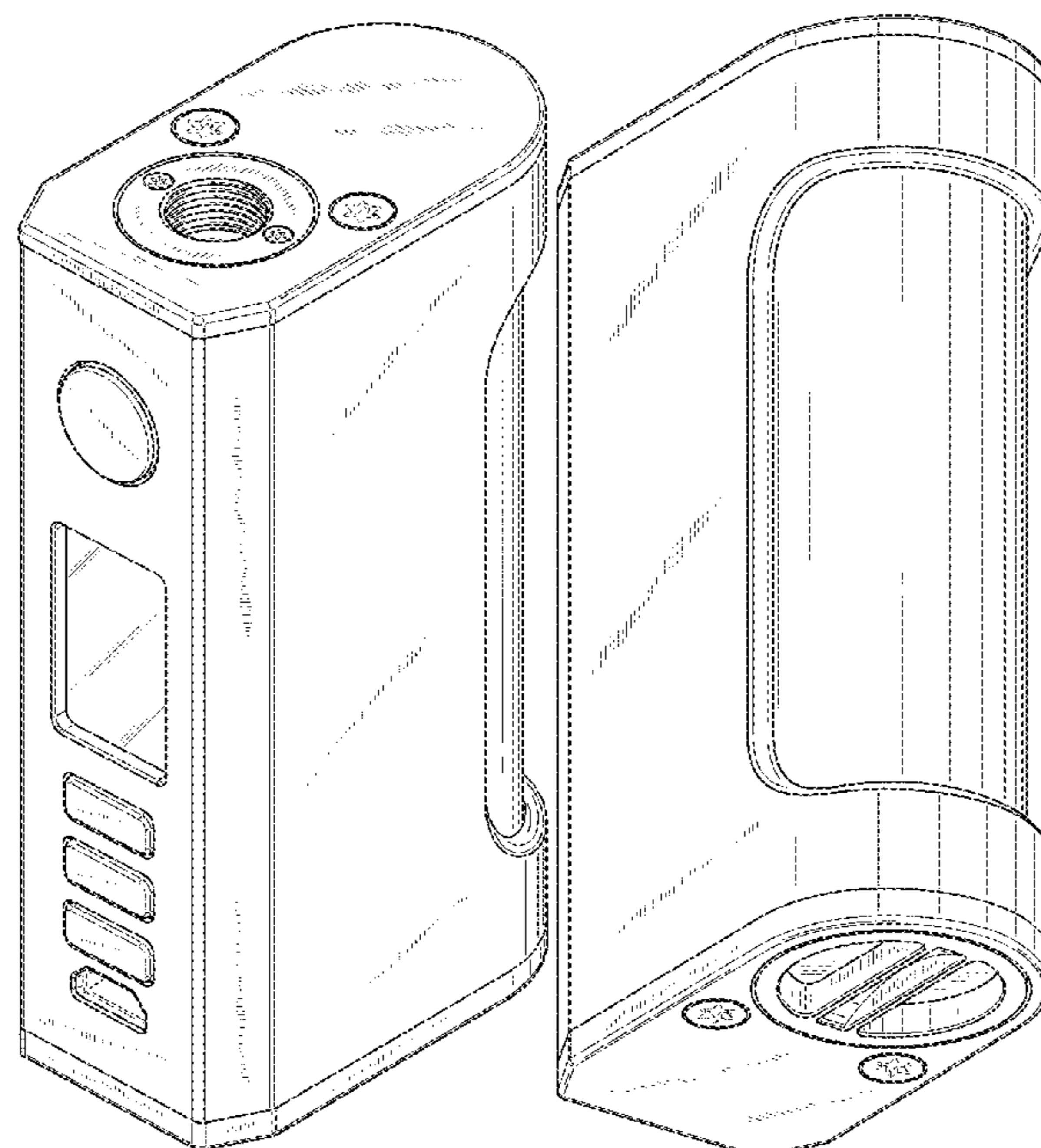
CPC . Y02E 60/10; H01M 2220/30; H01M 50/209;
H01M 50/213; H01M 50/183; H01M
50/10; H01M 50/529; H01M 50/531;
H01M 10/0525; H01M 10/0436; H01M
10/052; H01M 10/0565; H01M 10/30;
H01M 10/345; H01M 10/425; H01M
2010/0495; B25F 5/02; B25F 5/00; A61B
2017/00734

FIG. 1 is a front elevation view of a battery for an electronic cigarette;
FIG. 2 is a rear elevation view thereof;
FIG. 3 is a left-side elevation view thereof;
FIG. 4 is a right-side elevation view thereof;
FIG. 5 is a top plan view thereof;
FIG. 6 is a bottom plan view thereof;
FIG. 7 is a perspective view thereof; and,
FIG. 8 is a bottom perspective view thereof.

The broken lines depict portions of the article that form no part of the claimed design.

See application file for complete search history.

1 Claim, 8 Drawing Sheets



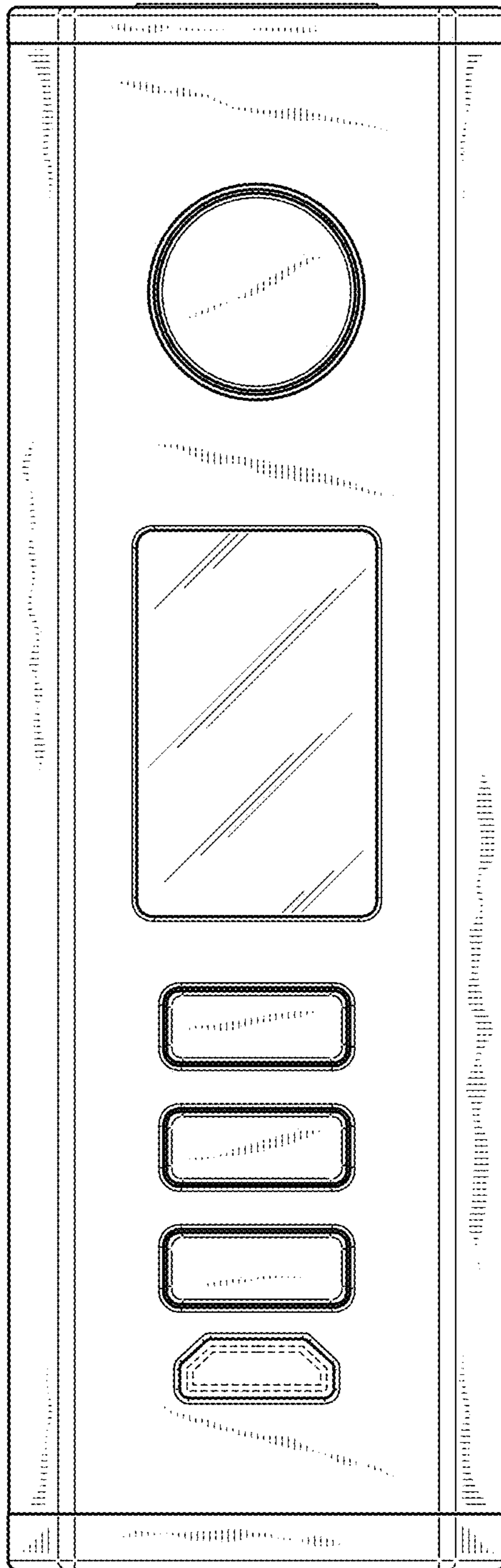


FIG. 1



FIG. 2

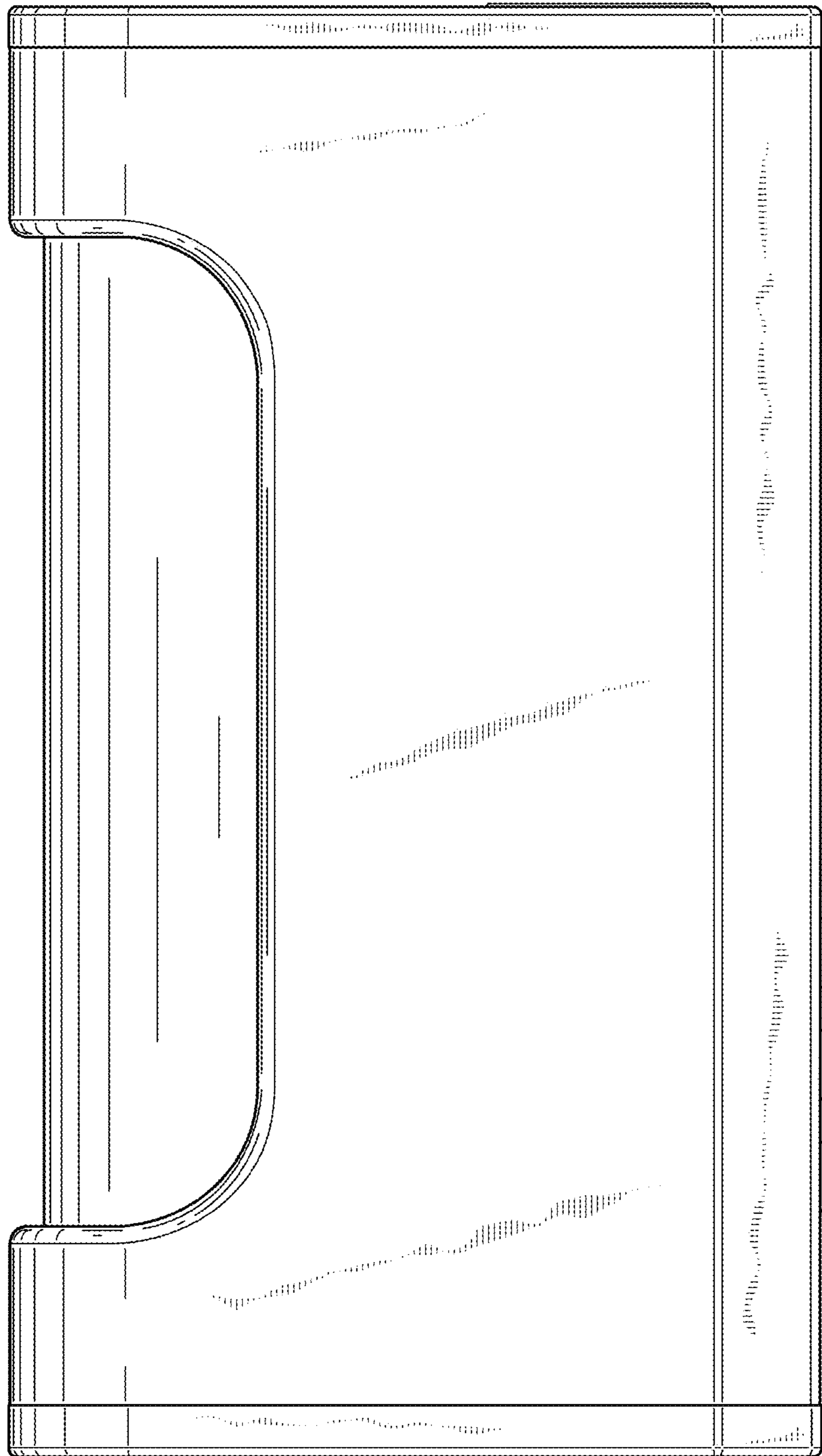


FIG. 3

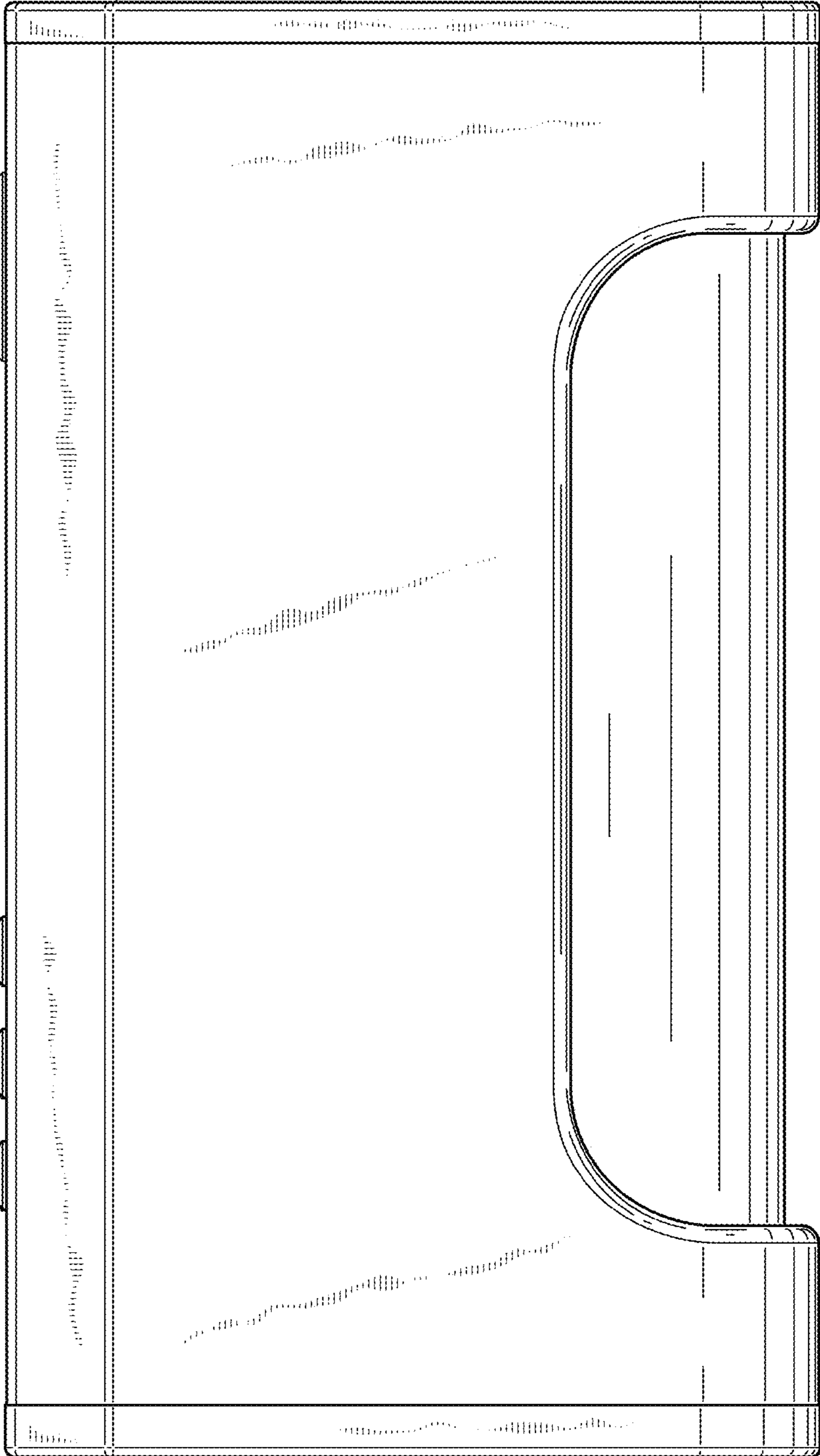


FIG. 4

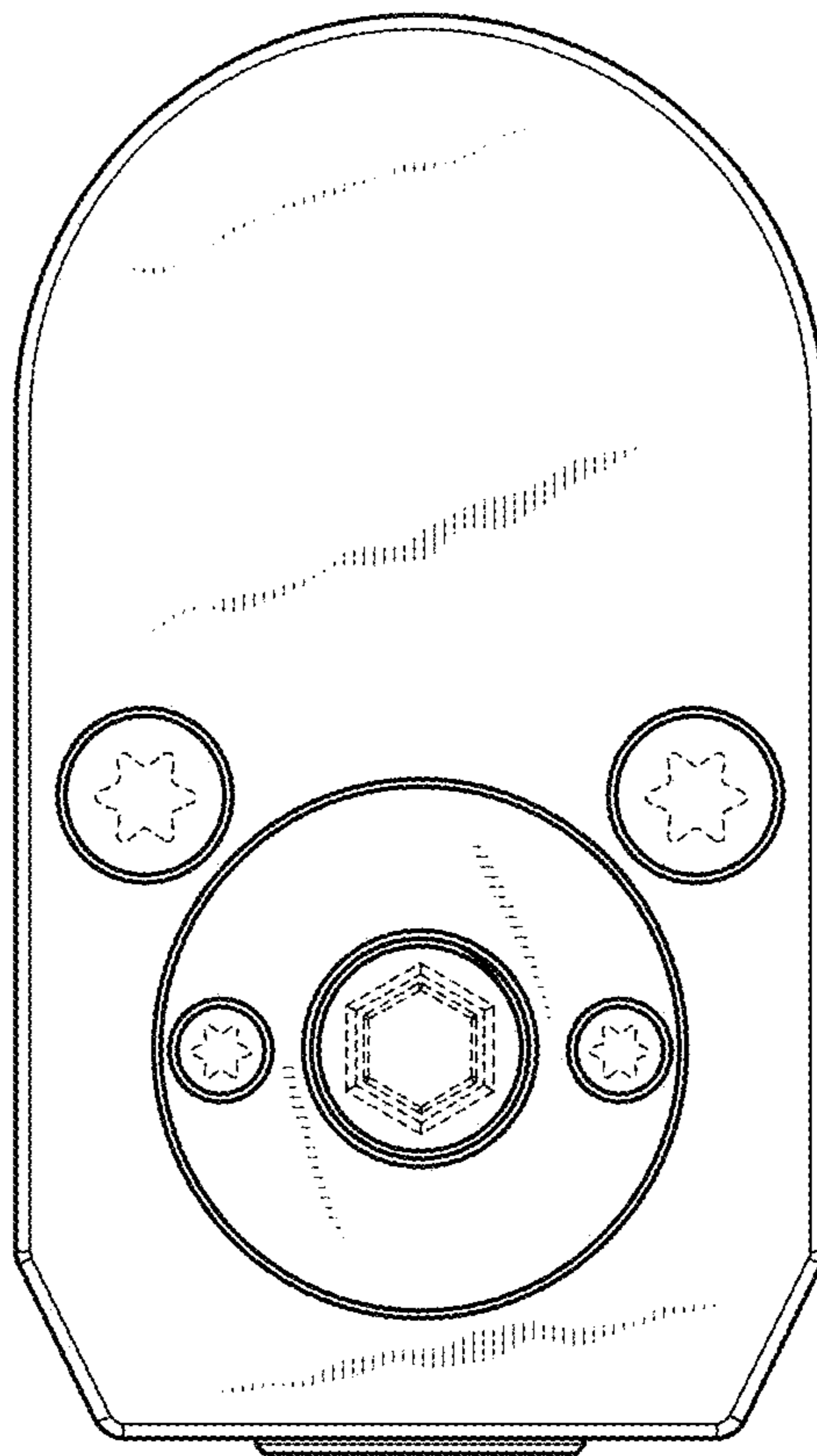


FIG. 5

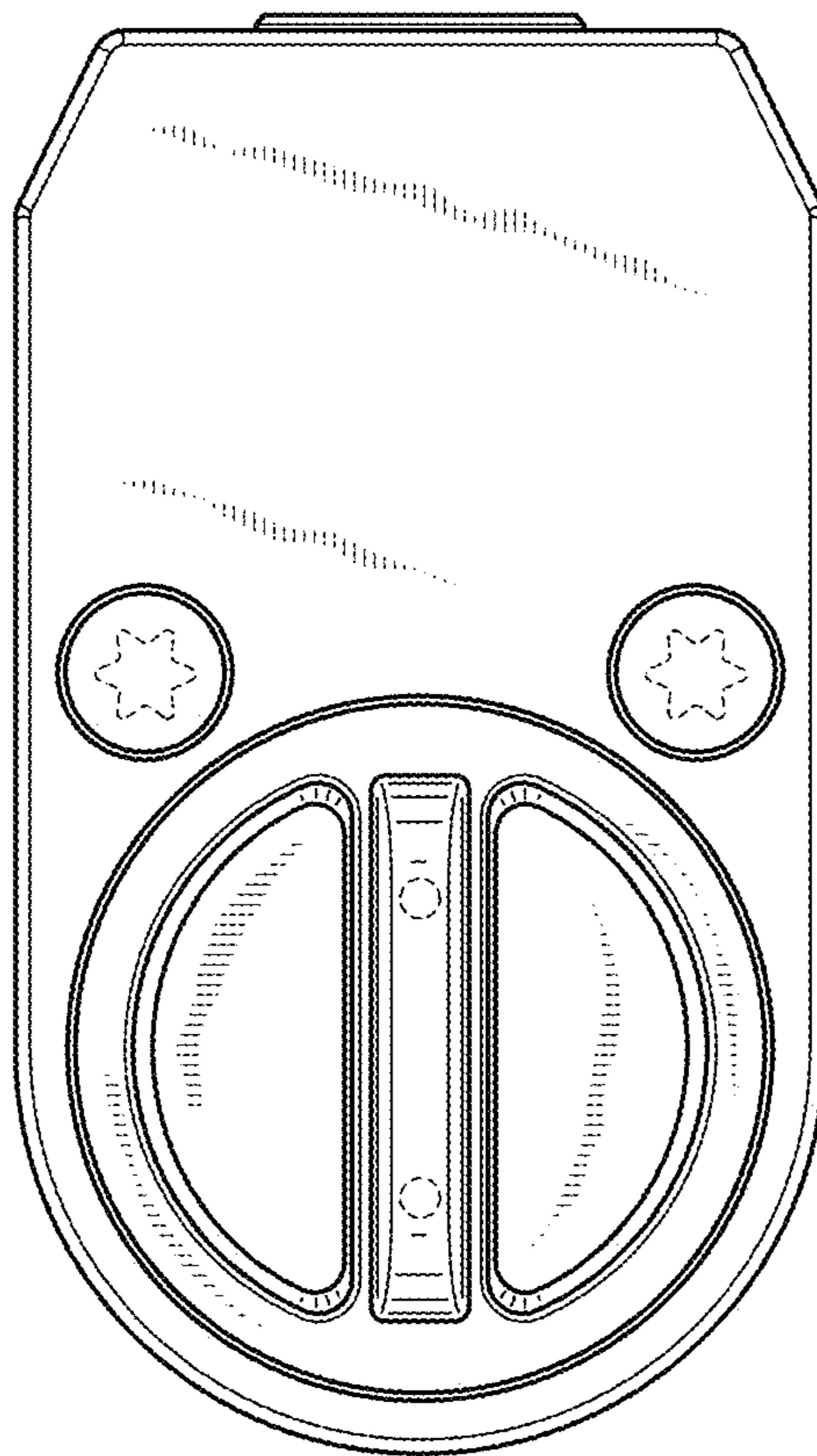


FIG. 6

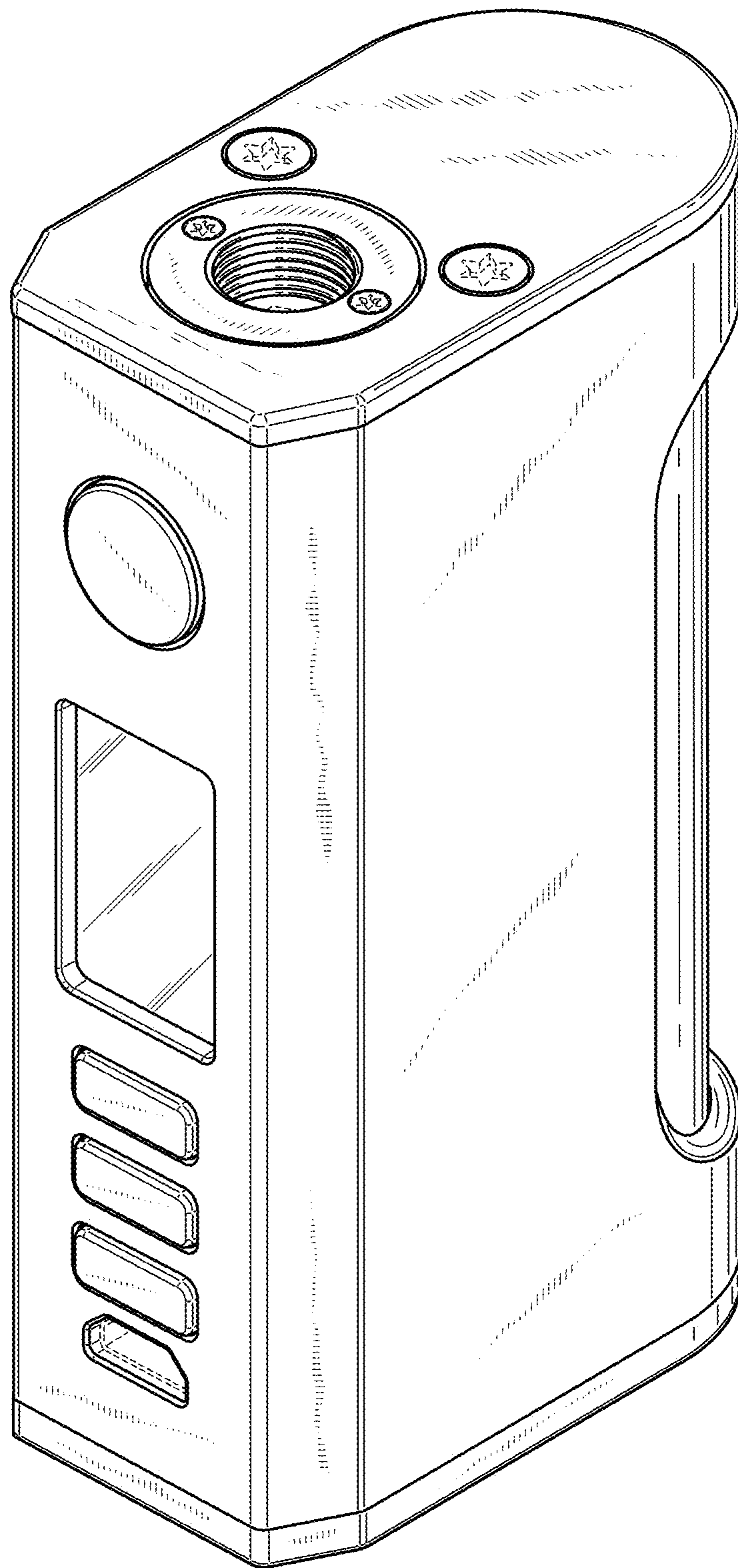


FIG. 7

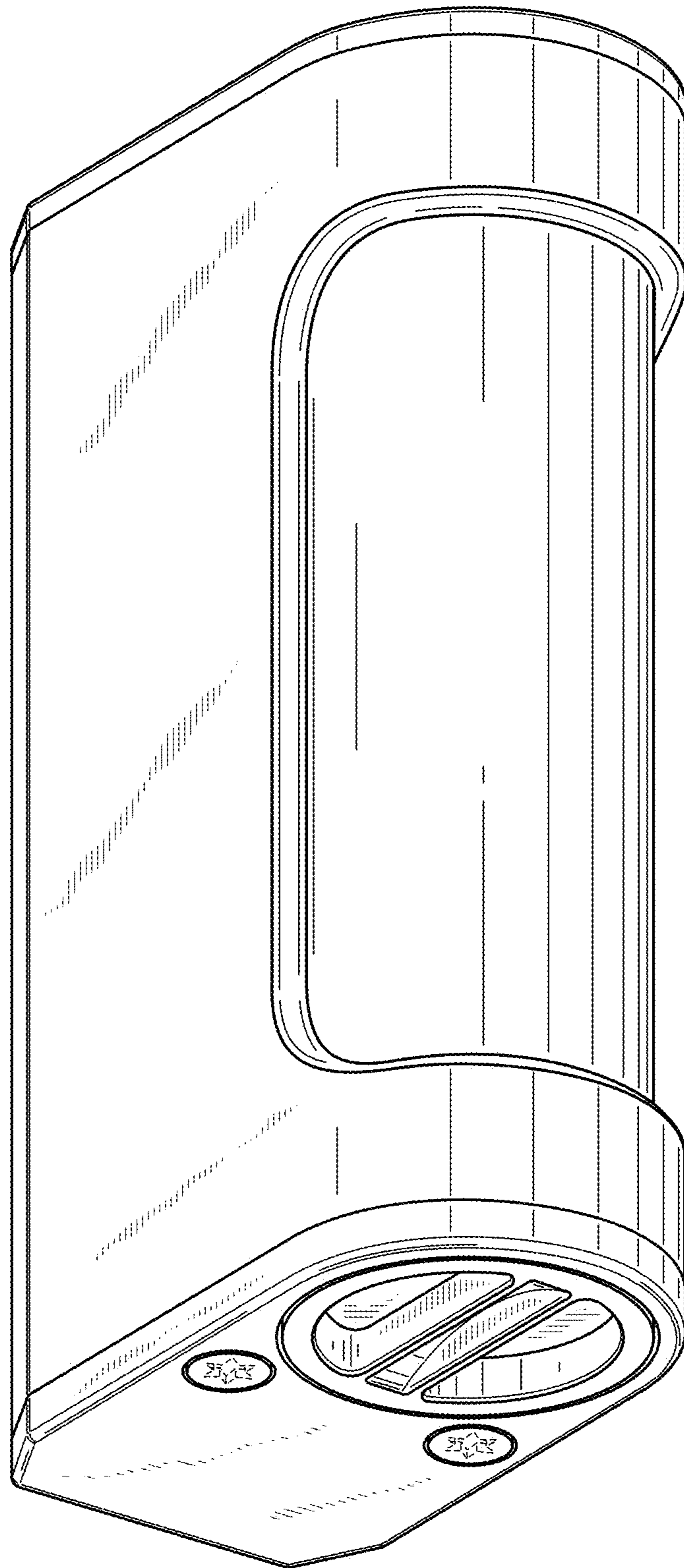


FIG. 8