



US00D933591S

(12) **United States Design Patent**  
**Liu**

(10) **Patent No.:** **US D933,591 S**

(45) **Date of Patent:** **\*\* Oct. 19, 2021**

(54) **POWER BANK**

(71) Applicant: **Shenzhen Hongyang Yija New Energy Co., Ltd.**, Guangdong (CN)

(72) Inventor: **Jianwei Liu**, Hebei (CN)

(\*\*) Term: **15 Years**

(21) Appl. No.: **29/713,594**

(22) Filed: **Nov. 18, 2019**

(51) **LOC (13) Cl.** ..... **13-02**

(52) **U.S. Cl.**  
USPC ..... **D13/103**; D13/108

(58) **Field of Classification Search**  
USPC ..... D13/103, 106, 107, 108, 109, 110, 112,  
D13/116, 118, 119, 184, 199; D14/432,  
D14/433, 434

CPC ..... H02J 7/0027; F02N 11/12; H05K 5/00;  
H02G 3/10

See application file for complete search history.

(56) **References Cited**

**U.S. PATENT DOCUMENTS**

D617,268 S *	6/2010	Yen	.....	D13/108
D665,734 S *	8/2012	Fitch	.....	D13/107
D780,689 S *	3/2017	Inskeep	.....	D13/107
D787,443 S *	5/2017	Chiang	.....	D13/110
D823,243 S *	7/2018	Toscani	.....	D13/107
D853,958 S *	7/2019	Lei	.....	D13/108
D872,011 S *	1/2020	Rao	.....	D13/107
D892,727 S *	8/2020	Gan	.....	D13/107
D911,271 S *	2/2021	Xu	.....	D13/103
D911,949 S *	3/2021	Sun	.....	D13/108
2015/0054336 A1 *	2/2015	Xinfang	.....	B60R 16/033 307/9.1
2016/0359352 A1 *	12/2016	Chiu	.....	F02N 11/12
2020/0259345 A1 *	8/2020	Kanakis	.....	H02J 7/0044

**OTHER PUBLICATIONS**

“Mobile Phone Power Bank”. Found online May 20, 2021 at eclplaza.net. Reference dated Mar. 29, 2014. Retrieved from https://

tineye.com/search/b745c242b154da46f6c0cd8860ea8250dbb5c57f?sort=crawl\_date&order=asc&page=1. (Year: 2014).\*

“ZeroLemon Power Bank”. Found online May 20, 2021 at amazon.com. Reference dated Mar. 15, 2016. Retrieved from https://www.amazon.com/Capacity-ZeroLemon-ToughJuice-30000mAh-Portable/dp/B01CZR3LT2 (Year: 2016).\*

“The Zeus—Portable Car Battery”. Found online May 20, 2021 at unchartedsupplyco.com. Reference dated Aug. 21, 2018. Retrieved from https://unchartedsupplyco.com/products/the-zeus?keyword=&gclid=EAIaIQobChMlqKWenzY8AIVGI\_ICh0o1Ad-EAQYBSABEglQmPD\_BwE. (Year: 2018).\*

\* cited by examiner

*Primary Examiner* — Kendra Leslie Hamilton

*Assistant Examiner* — Amanda Christensen

(74) *Attorney, Agent, or Firm* — Prakash Nama; Global IP Services, PLLC

(57) **CLAIM**

The ornamental design for a power bank, as shown and described.

**DESCRIPTION**

FIG. 1 is a front elevational view of a power bank showing my new design;

FIG. 2 is a rear elevational view thereof;

FIG. 3 is a left side elevation view thereof;

FIG. 4 is a right side elevation view thereof;

FIG. 5 is a top plan view thereof;

FIG. 6 is a bottom plan view thereof;

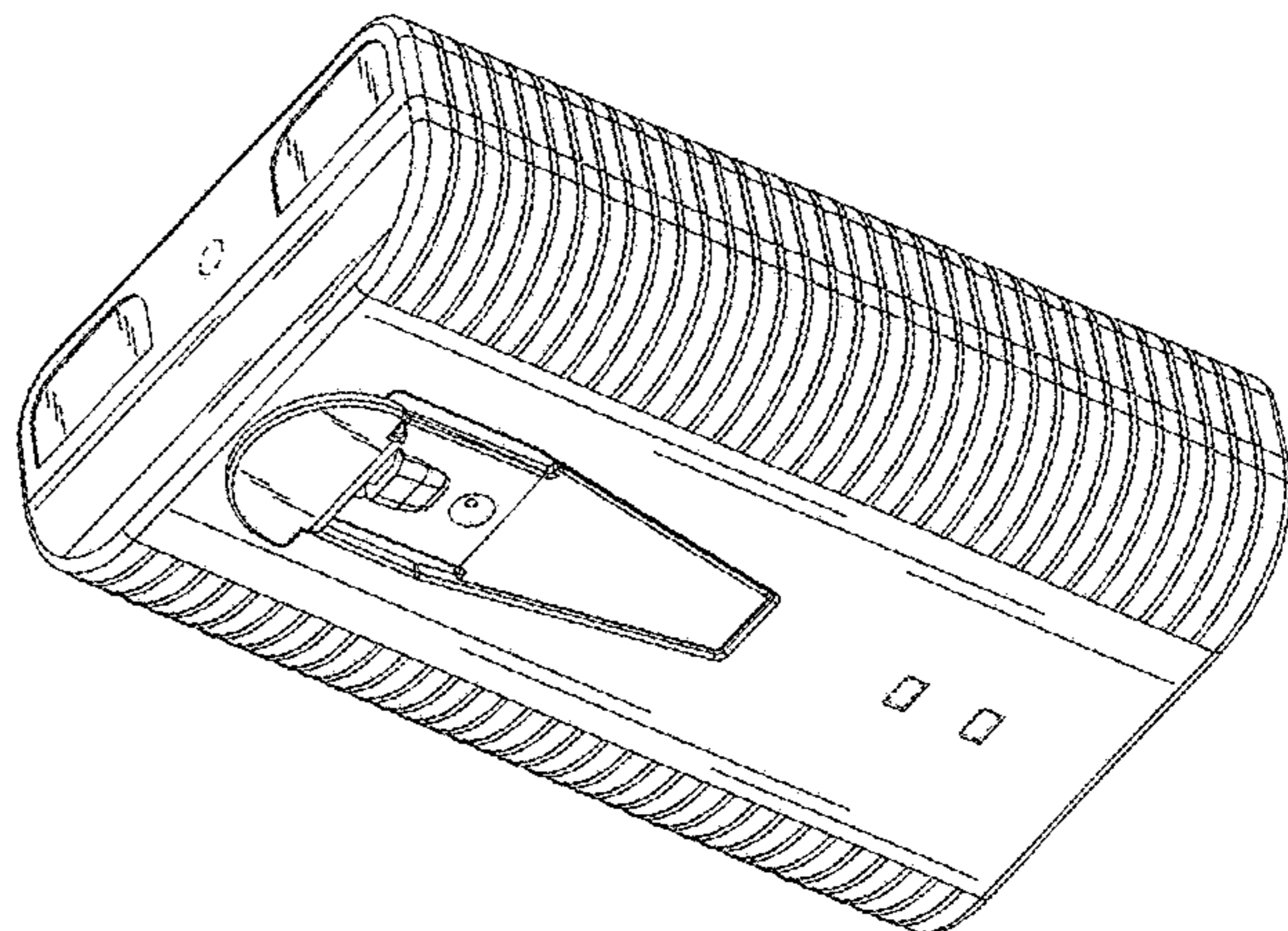
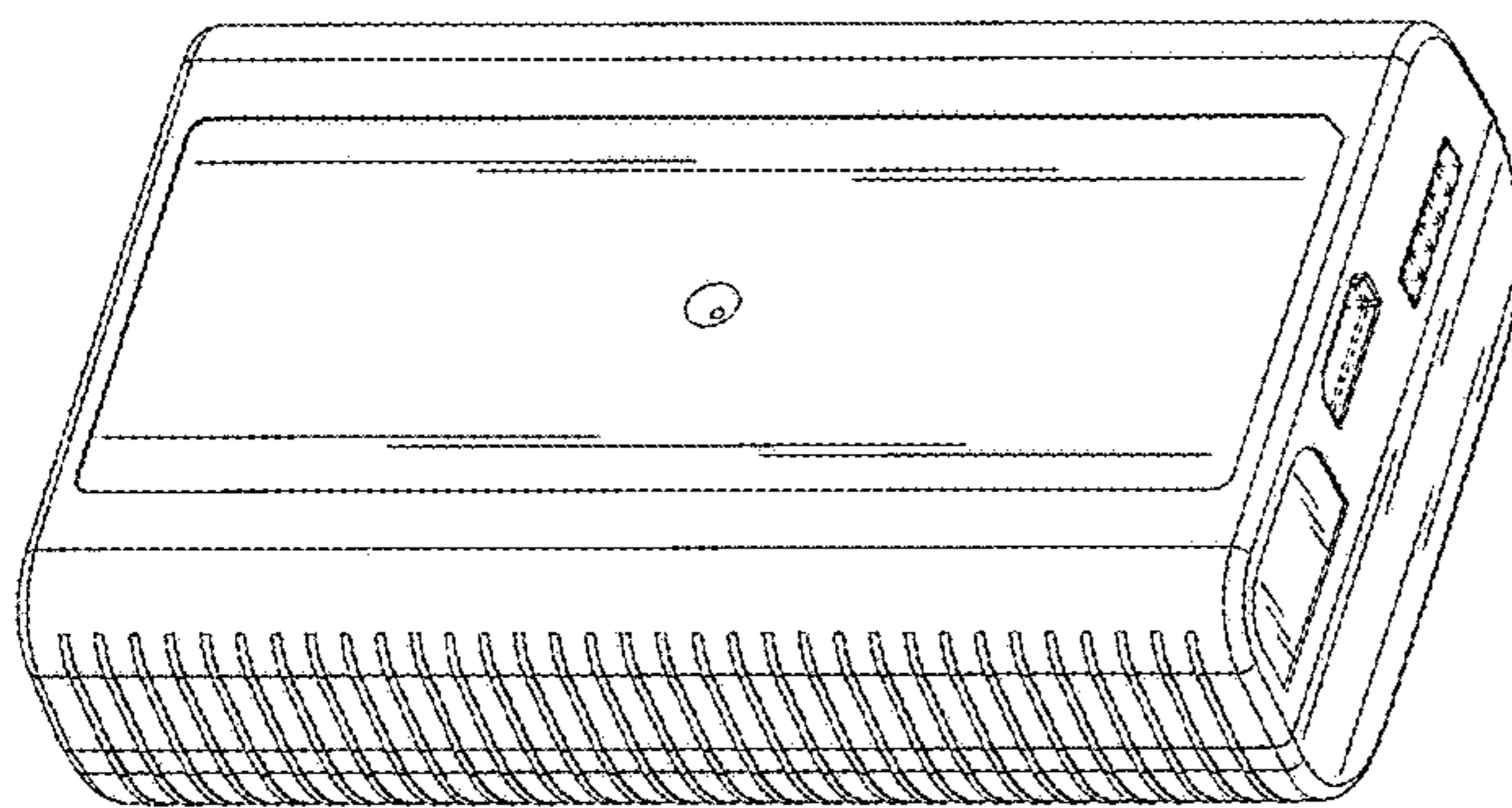
FIG. 7 is a top, front, left side perspective view thereof;

FIG. 8 is a top, rear, right side perspective view thereof; and,

FIG. 9 is a bottom, rear, left side perspective view thereof.

The broken lines in the drawings depict portions of the power bank that form no part of the claimed design.

**1 Claim, 9 Drawing Sheets**



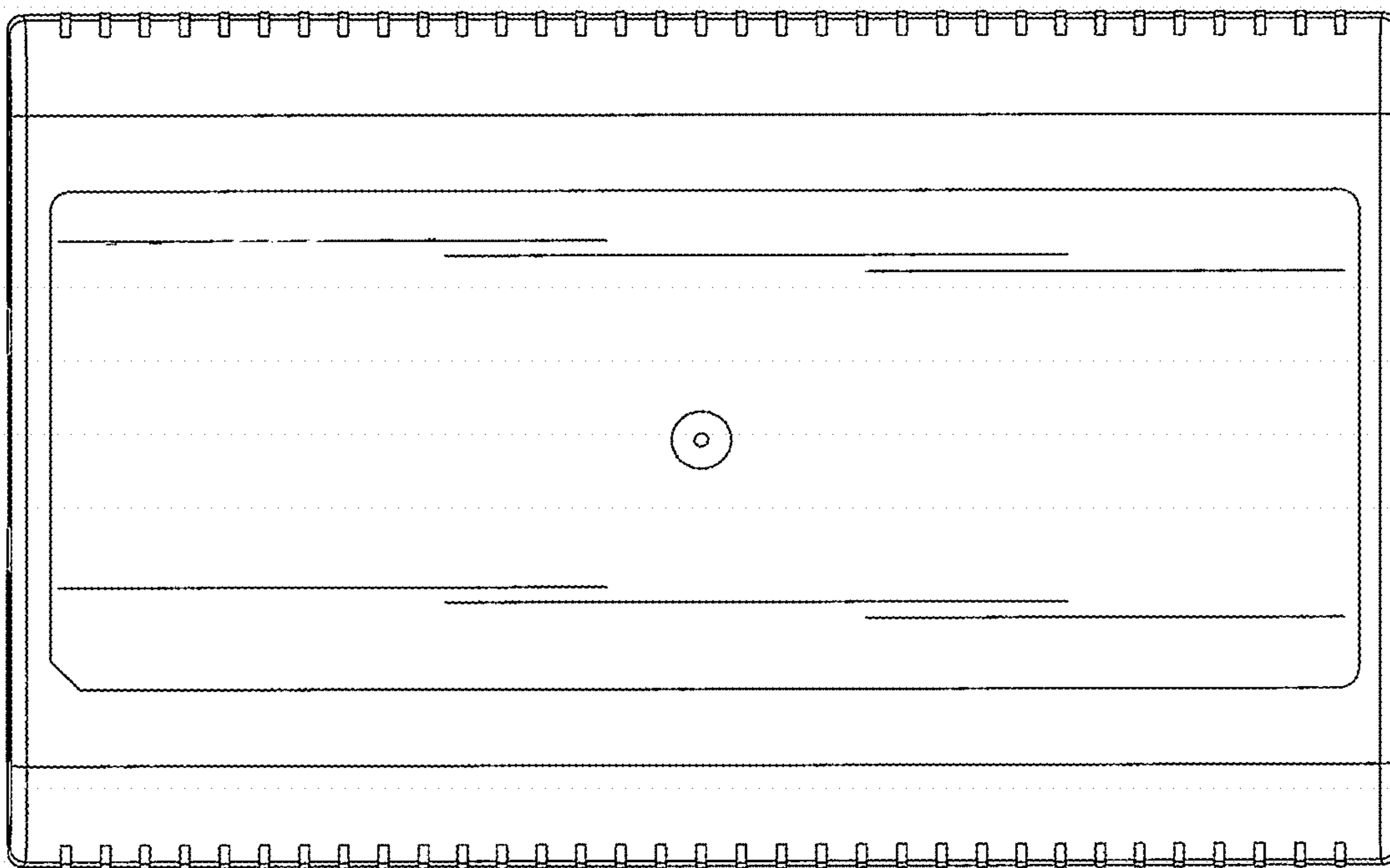


FIG. 1

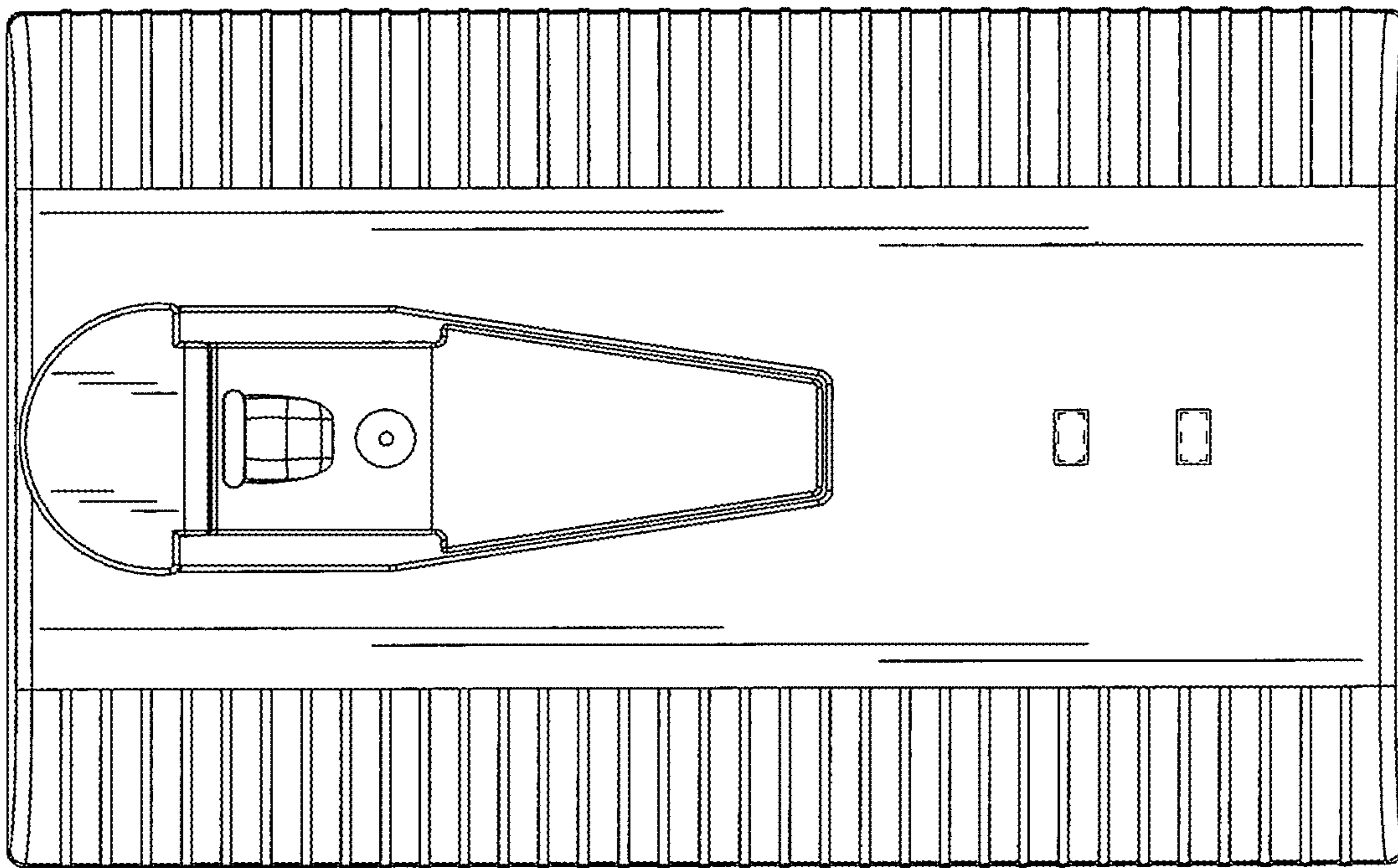


FIG. 2

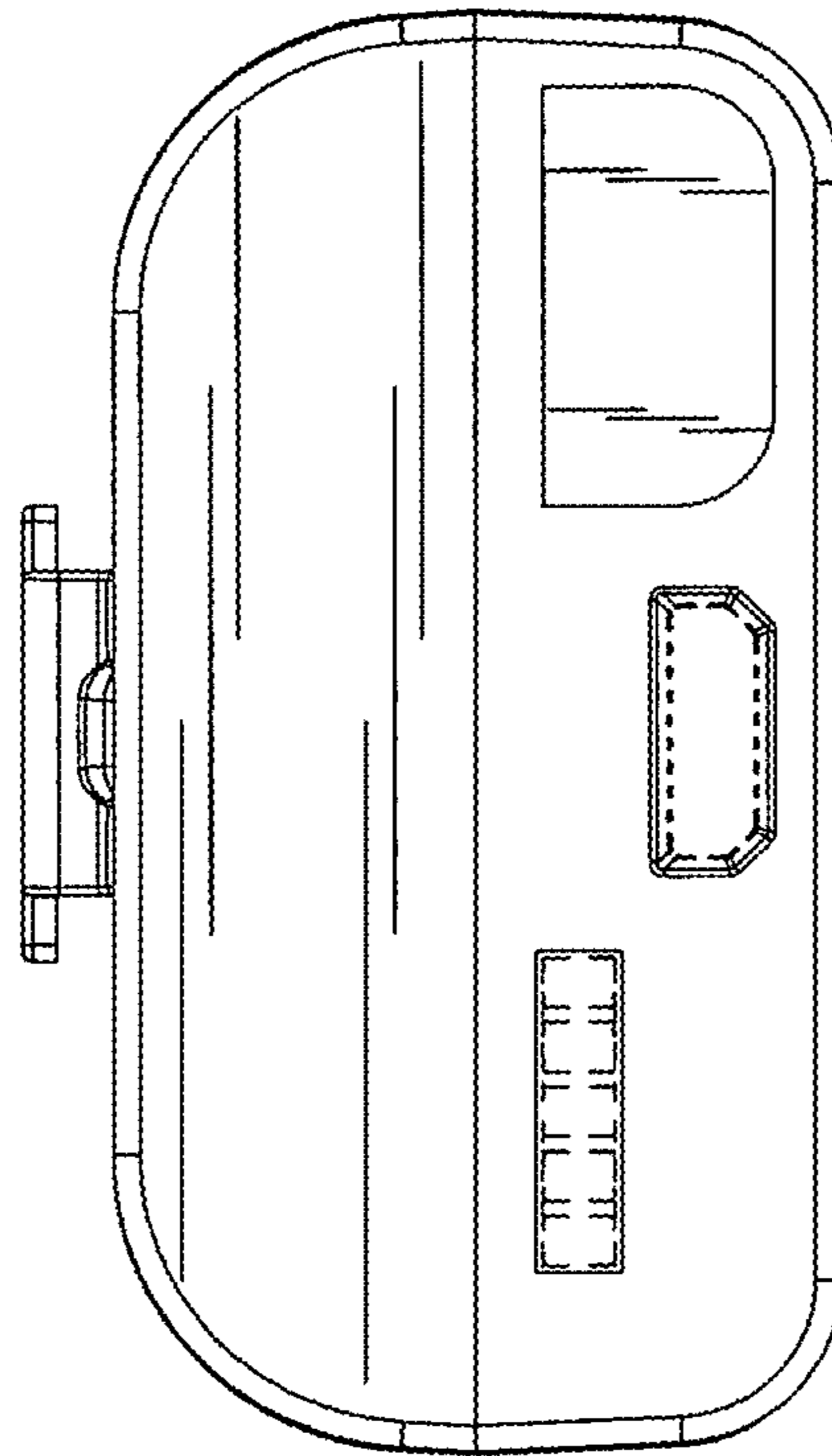


FIG. 3

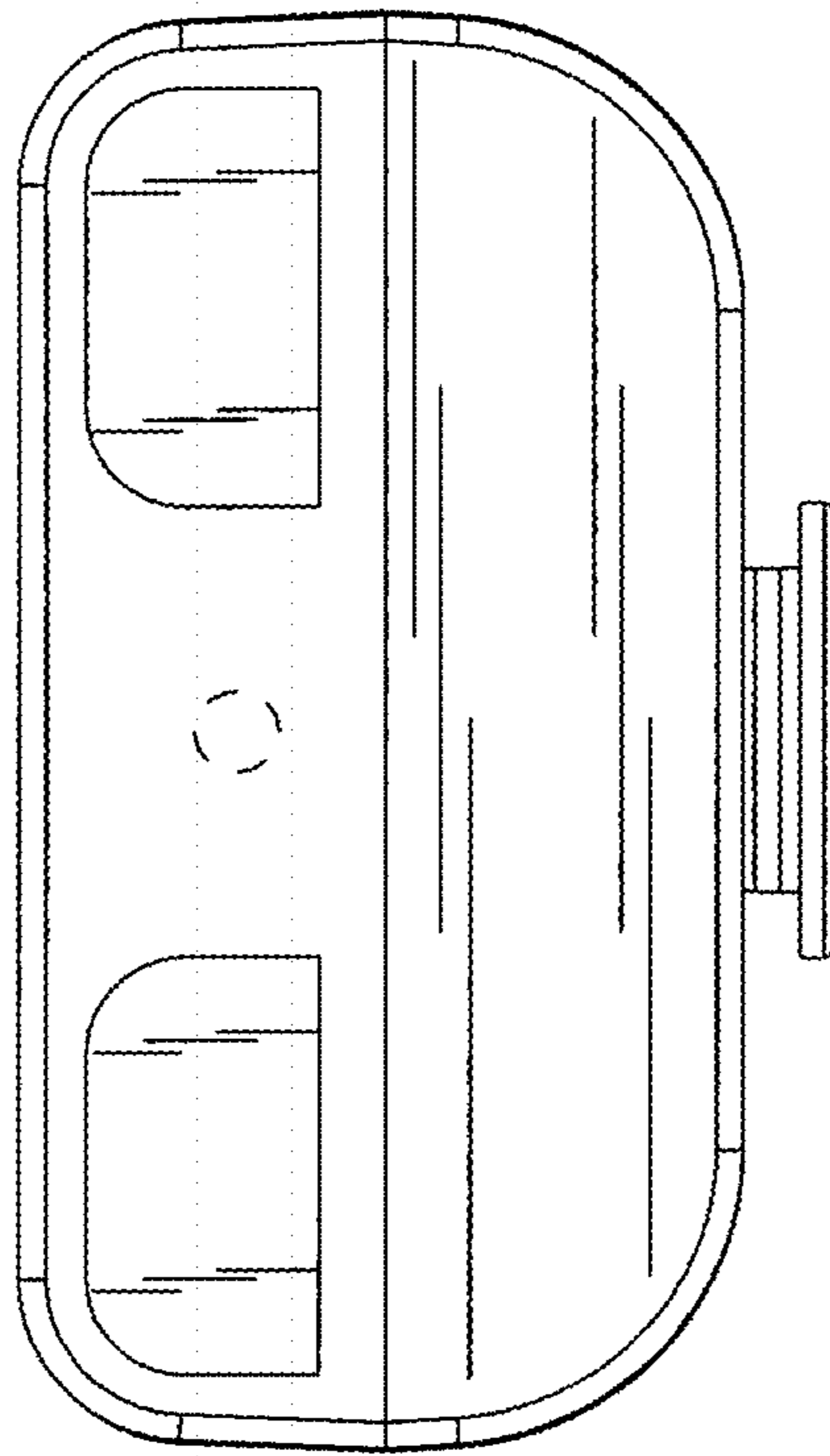


FIG. 4

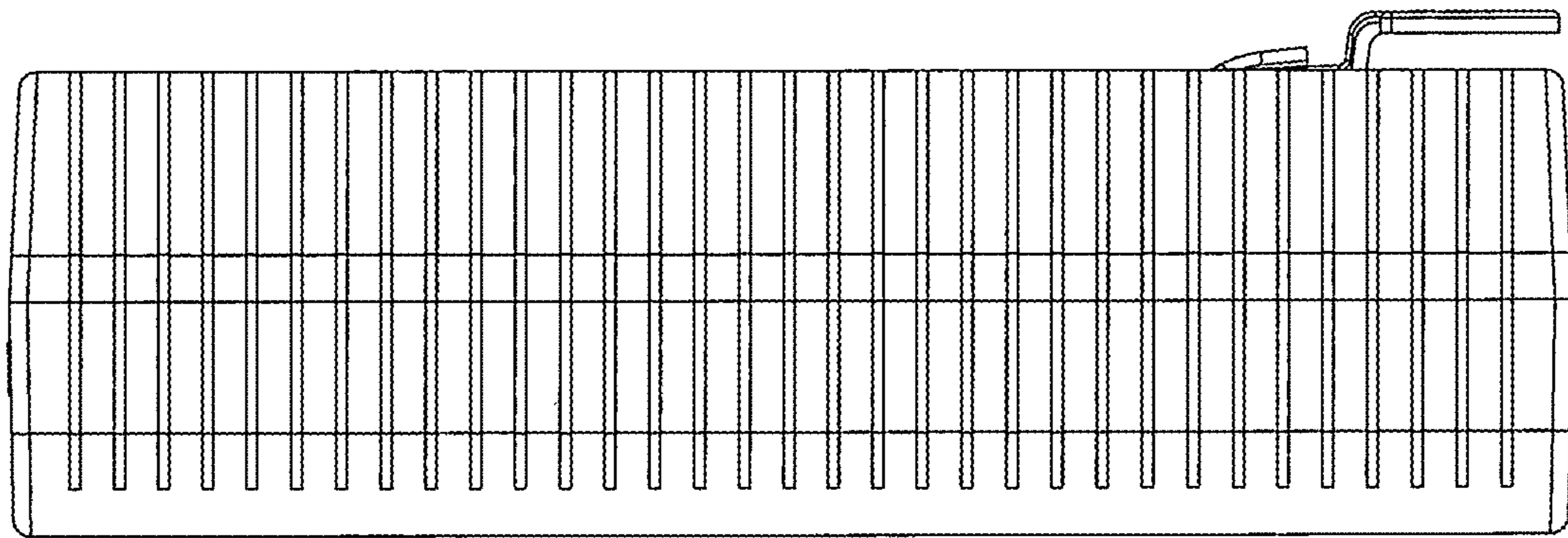


FIG. 5

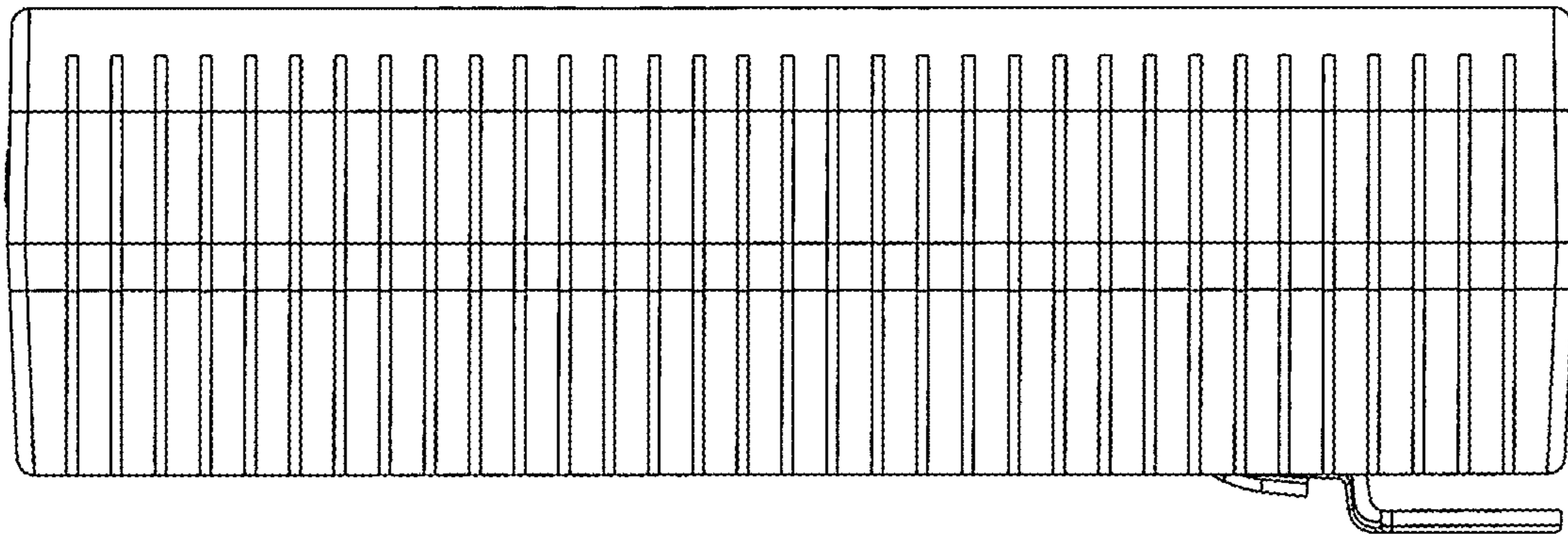


FIG. 6

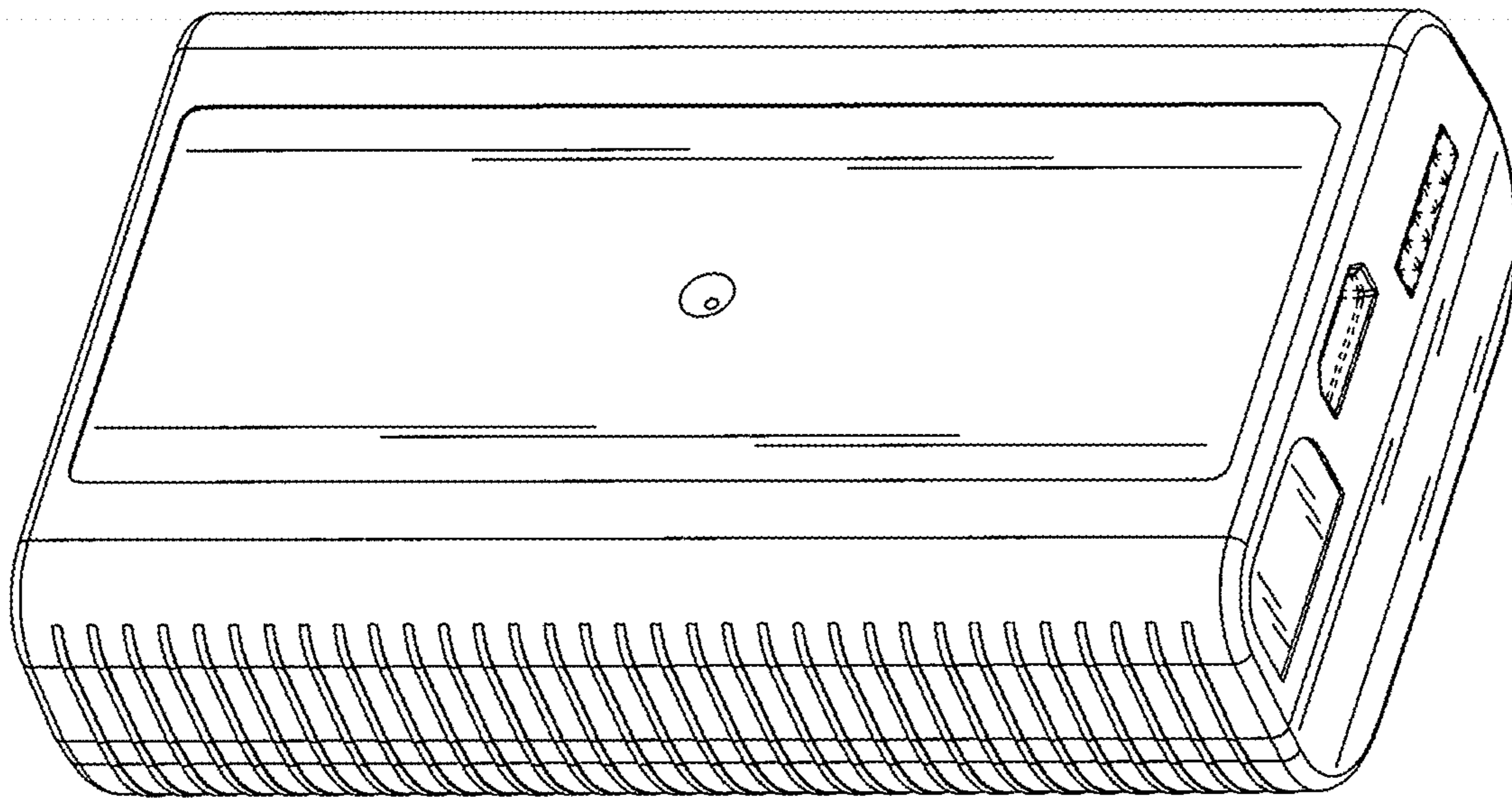


FIG. 7



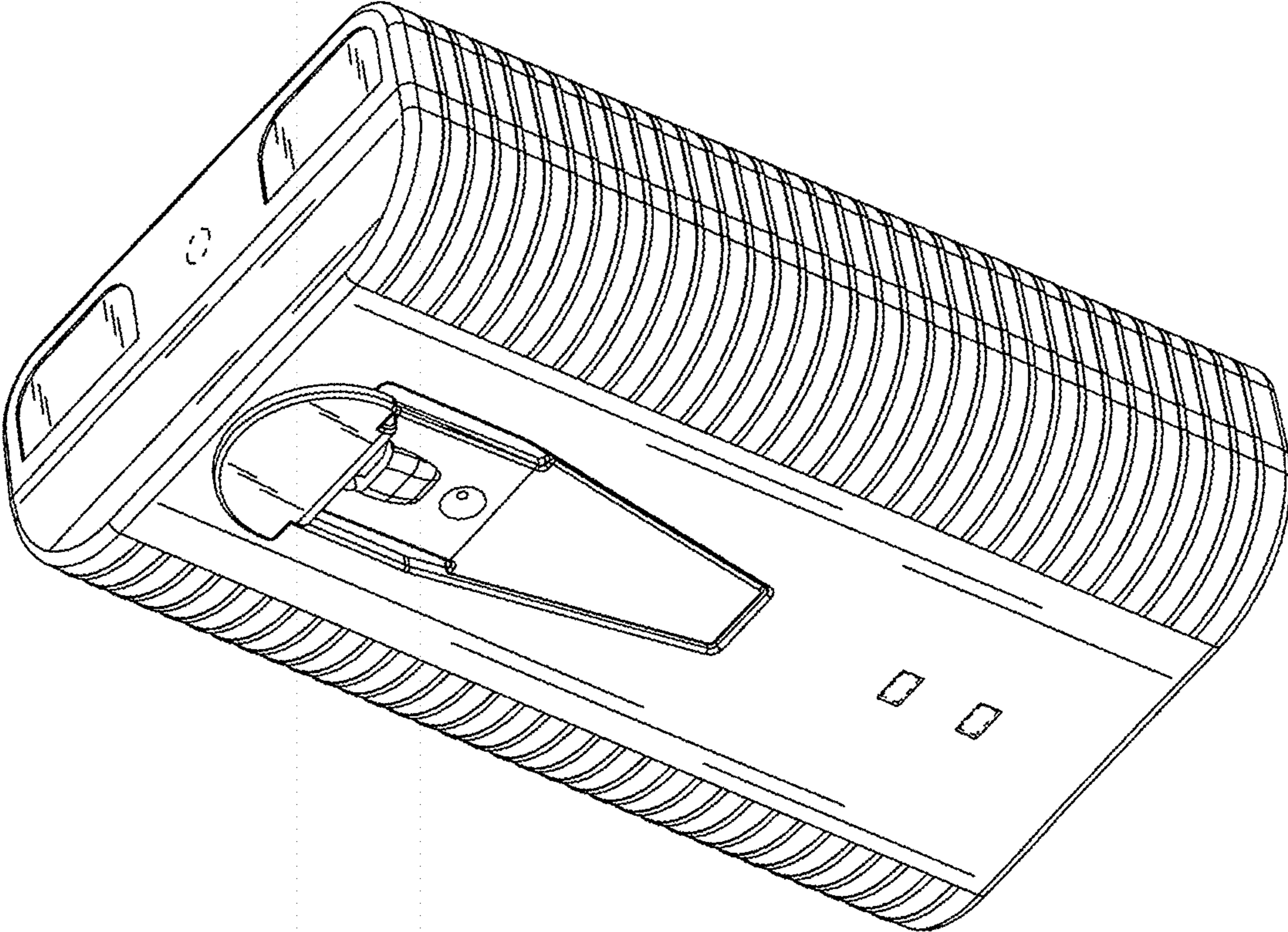


FIG. 8

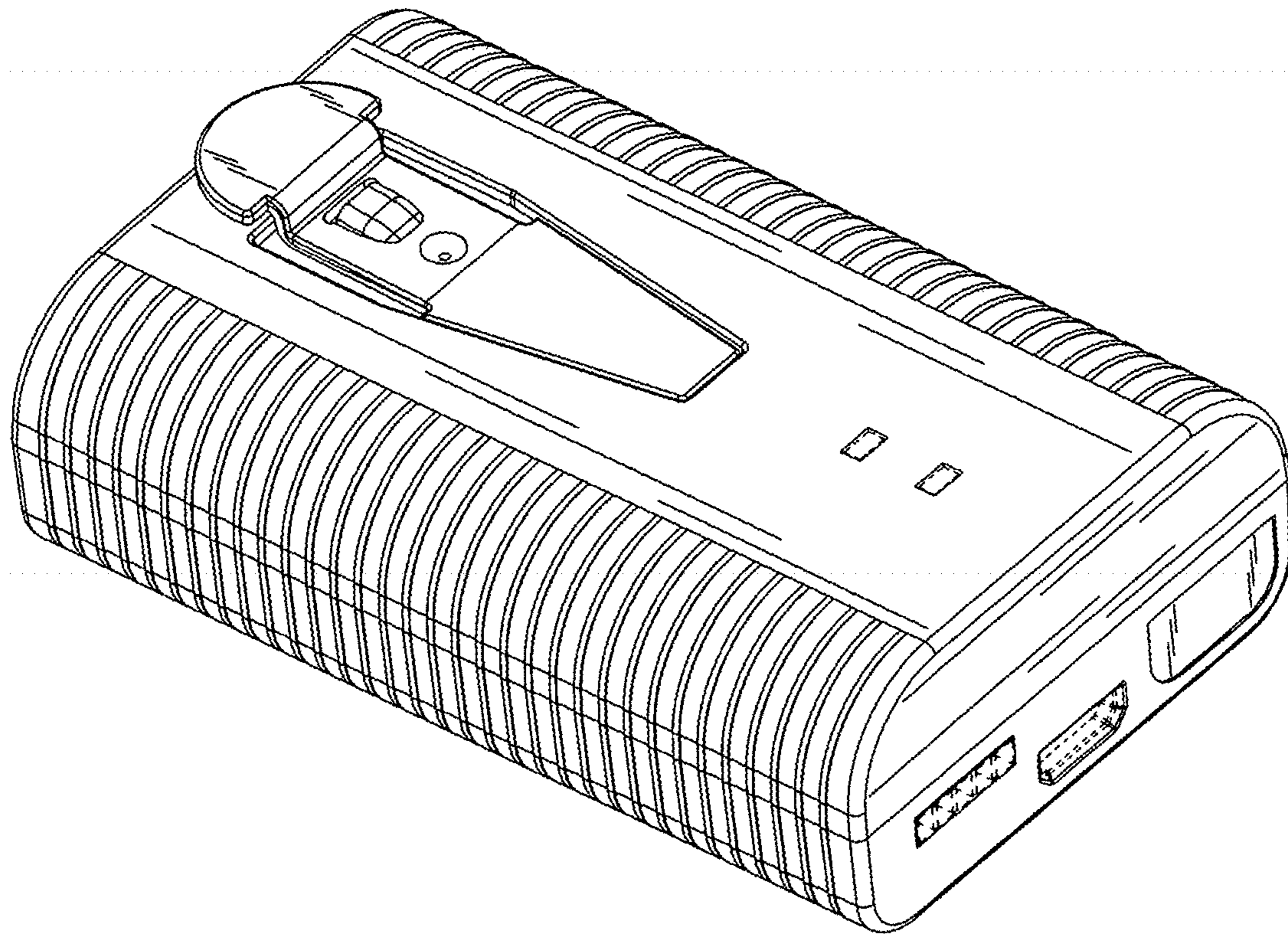


FIG. 9