



US00D933590S

(12) **United States Design Patent**  
**Wu et al.**

(10) **Patent No.:** **US D933,590 S**

(45) **Date of Patent:** **\*\* Oct. 19, 2021**

(54) **BATTERY BOX**

7/0057; Y02T 10/7005; Y02T 10/705;  
Y02T 10/7088; B60L 11/1809; B60L  
11/1861

(71) Applicant: **Hongzhang Chen**, Shenzhen (CN)

See application file for complete search history.

(72) Inventors: **Jiajun Wu**, Shenzhen (CN); **Jiajin Jiang**, Shenzhen (CN); **Yingchuan Zhang**, Shenzhen (CN)

(56) **References Cited**

(73) Assignee: **Hongzhang Chen**, Shenzhen (CN)

U.S. PATENT DOCUMENTS

(\*\*) Term: **15 Years**

(21) Appl. No.: **29/674,902**

(22) Filed: **Dec. 27, 2018**

(30) **Foreign Application Priority Data**

Nov. 27, 2018 (CN) ..... 201830678719.X

(51) **LOC (13) Cl.** ..... **13-02**

(52) **U.S. Cl.**  
USPC ..... **D13/103**

(58) **Field of Classification Search**  
USPC ..... D13/103, 107, 108, 110, 133,  
D13/137.1-137.4, 138.1-138.2,  
D13/139.1-139.8, 146, 147, 151-156,  
D13/173, 177, 199, 119; D14/432, 433,  
D14/435.1, 250; D23/231, 232;  
D15/7-9; D8/350, 353-356  
CPC ..... H01R 11/00; H01R 9/00; H01R 13/00;  
H01R 13/04; H01R 13/10; H01R  
13/6666; H01R 13/6675; H01R 25/00;  
H01R 25/006; H01H 2207/00; H01H  
2207/022; Y02E 60/12; Y02E 60/122;  
Y02E 60/124; Y02E 60/50; H01M 2/02;  
H01M 2/022; H01M 2/0202; H01M  
2/0207; H01M 2/0212; H01M 2/1061;  
H01M 2/1022; H01M 2/1055; H01M  
2/1066; H01M 2/105; H01M 2/204; H02J  
7/00; H02J 7/0003; H02J 7/0011; H02J  
7/0013; H02J 7/0054; H02J 7/0055; H02J

D445,758 S *	7/2001	Killebrew .....	D13/103
D551,163 S *	9/2007	Hamasaki .....	D13/107
D591,690 S *	5/2009	Vogel .....	D13/152
D626,916 S *	11/2010	Hine .....	D13/107
D629,355 S *	12/2010	Bodley .....	D13/108
D821,968 S *	7/2018	Zhao .....	D13/103
D823,788 S *	7/2018	Wei .....	D13/103
D825,464 S *	8/2018	Xie .....	D13/119
D825,465 S *	8/2018	Deng .....	D13/119
D853,320 S *	7/2019	Guo .....	D13/103
D881,812 S *	4/2020	Yang .....	D13/119
D883,196 S *	5/2020	Chen .....	D13/103
D885,326 S *	5/2020	Zhang .....	D13/103
D886,045 S *	6/2020	Deng .....	D13/103
D886,738 S *	6/2020	Huang .....	D13/119

(Continued)

*Primary Examiner* — Christy Nemeth

(74) *Attorney, Agent, or Firm* — Bay State IP, LLC

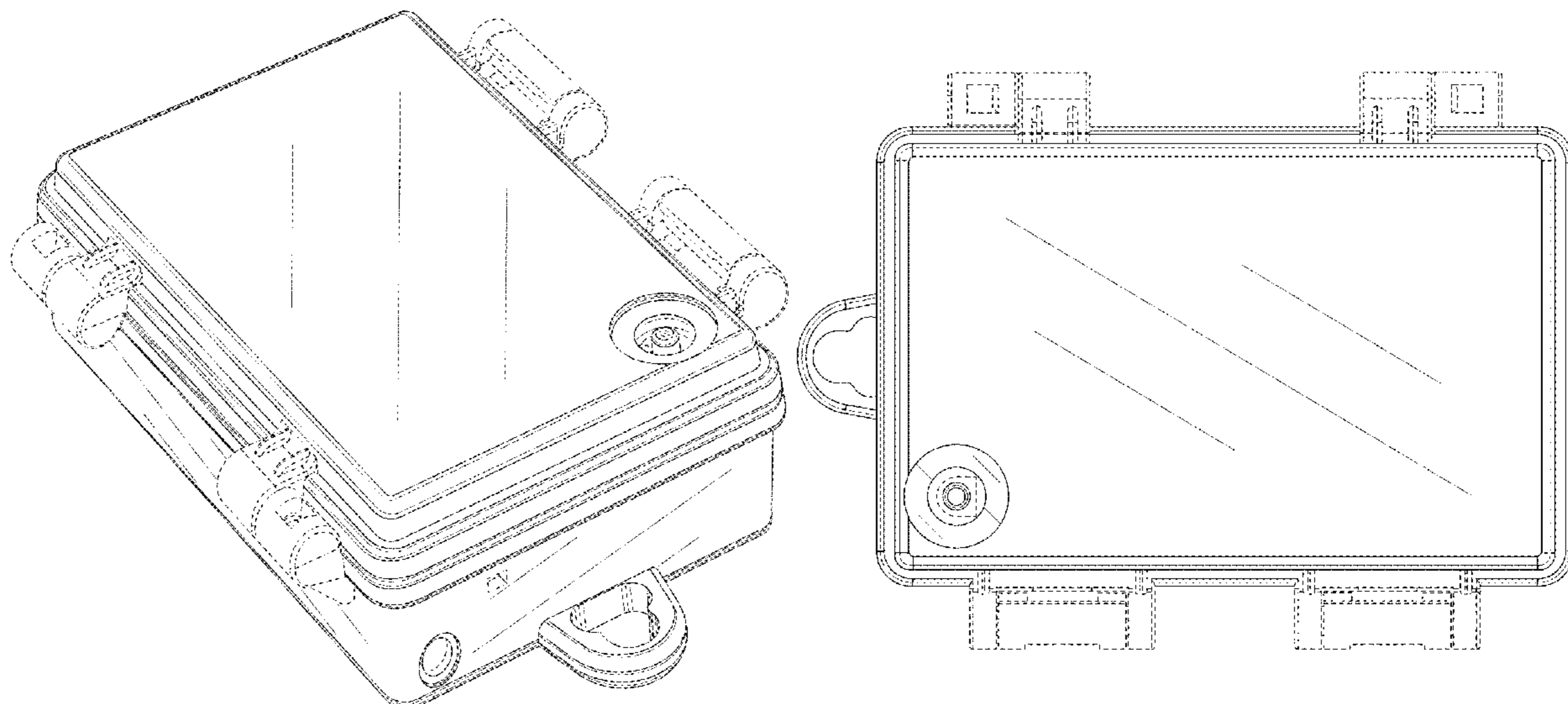
(57) **CLAIM**

The ornamental design for a battery box, as shown and described.

**DESCRIPTION**

FIG. 1 is a front perspective view of a battery box showing our new design;  
FIG. 2 is a rear view thereof;  
FIG. 3 is a front view thereof;  
FIG. 4 is a left side view thereof;  
FIG. 5 is a right side view thereof;  
FIG. 6 is a top view thereof; and,  
FIG. 7 is a bottom view thereof.  
The broken lines in the drawings depict portions of the battery box that form no part of the claimed design.

**1 Claim, 7 Drawing Sheets**



(56)

**References Cited**

U.S. PATENT DOCUMENTS

D896,179 S \* 9/2020 Yang ..... D13/119  
D911,930 S \* 3/2021 Xie ..... D13/103  
D912,616 S \* 3/2021 He ..... D13/103  
2008/0124618 A1\* 5/2008 Shimoyama ..... H01M 2/105  
429/99  
2010/0221590 A1\* 9/2010 Reber ..... H01M 2/1055  
429/99  
2019/0036286 A1\* 1/2019 Yang ..... H01M 2/1016  
2019/0326565 A1\* 10/2019 Zhou ..... H01M 2/1016

\* cited by examiner

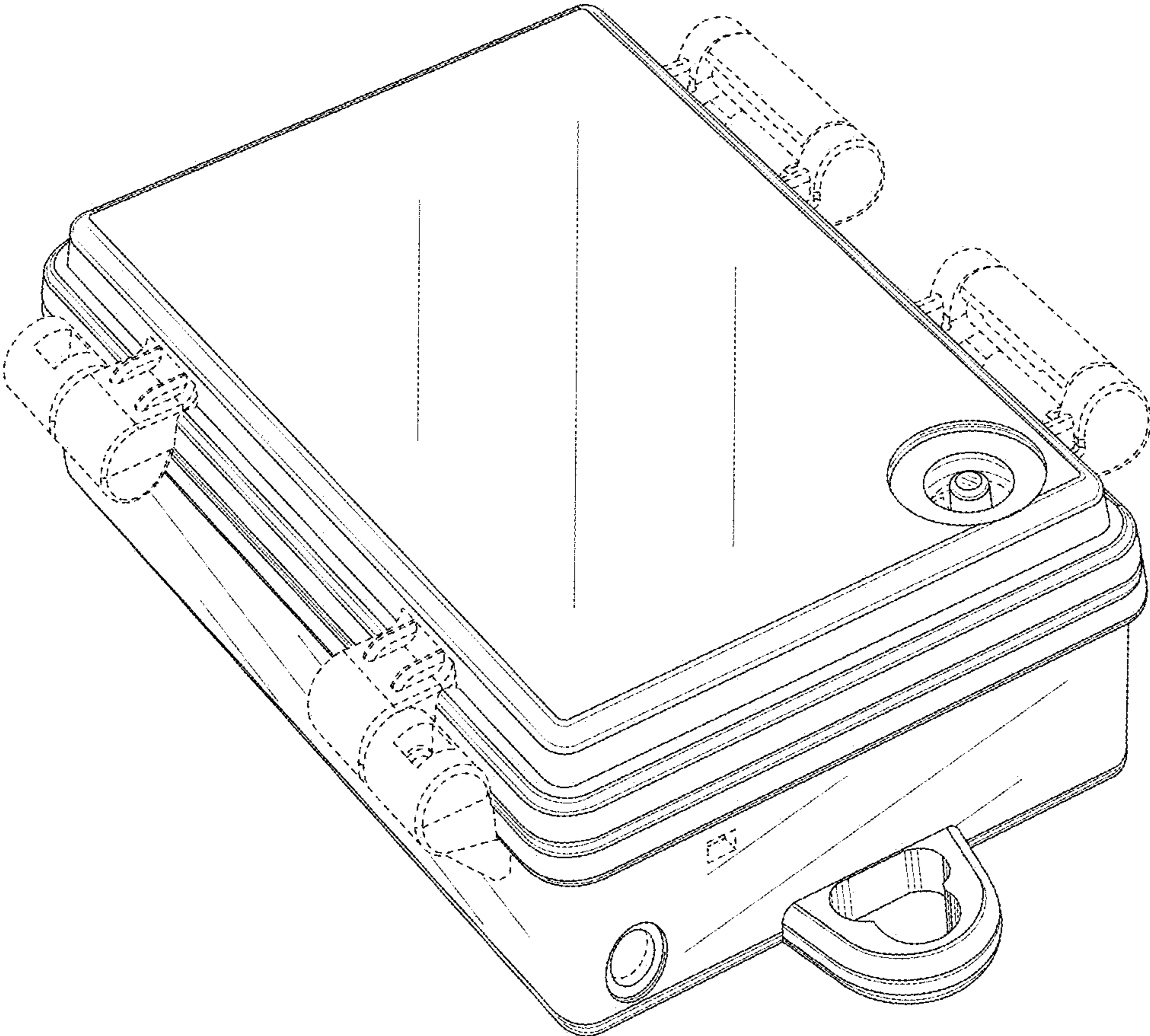


FIG.1

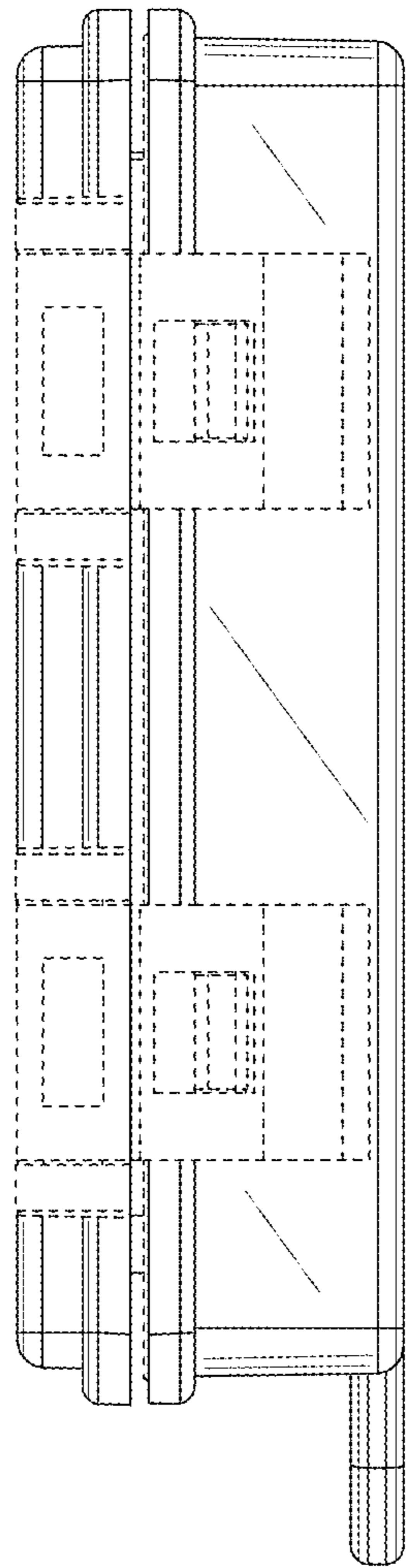


FIG.2

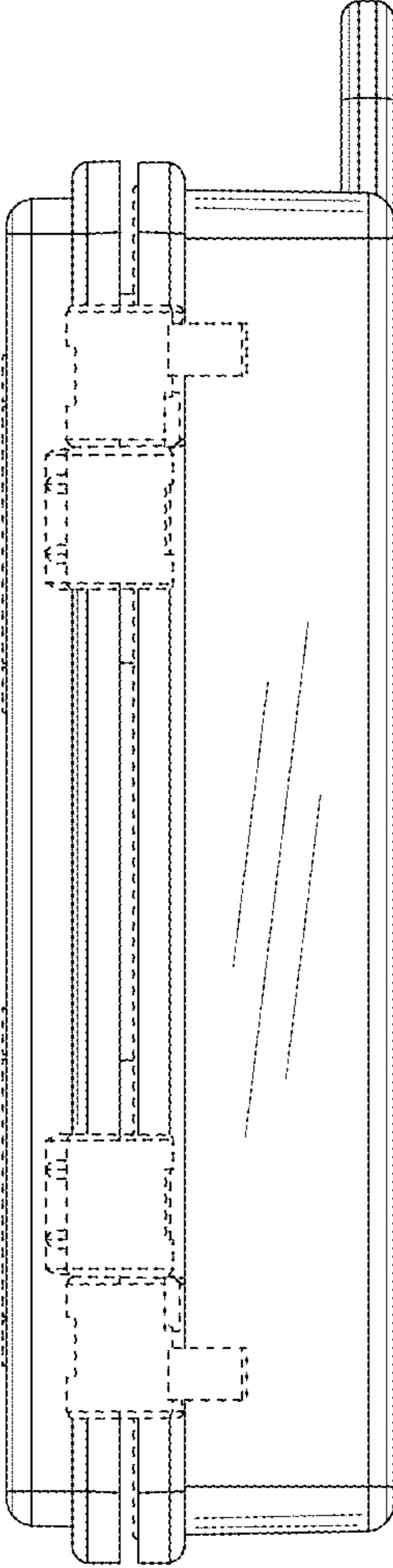


FIG.3



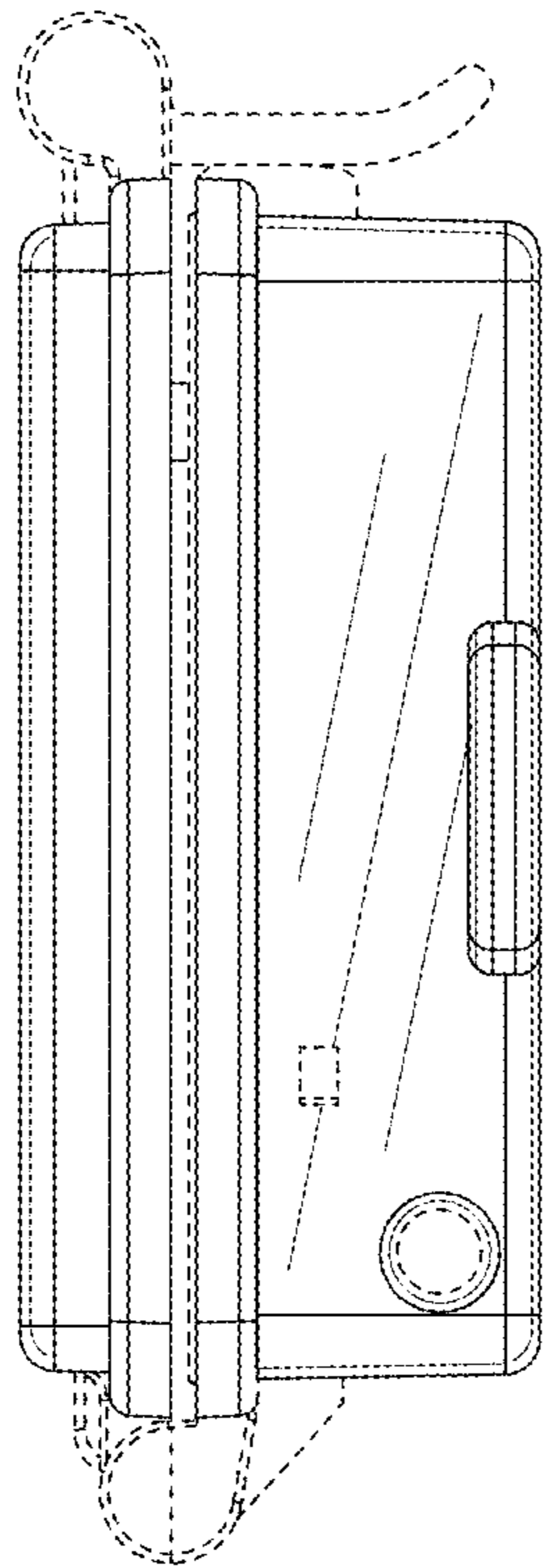


FIG.4

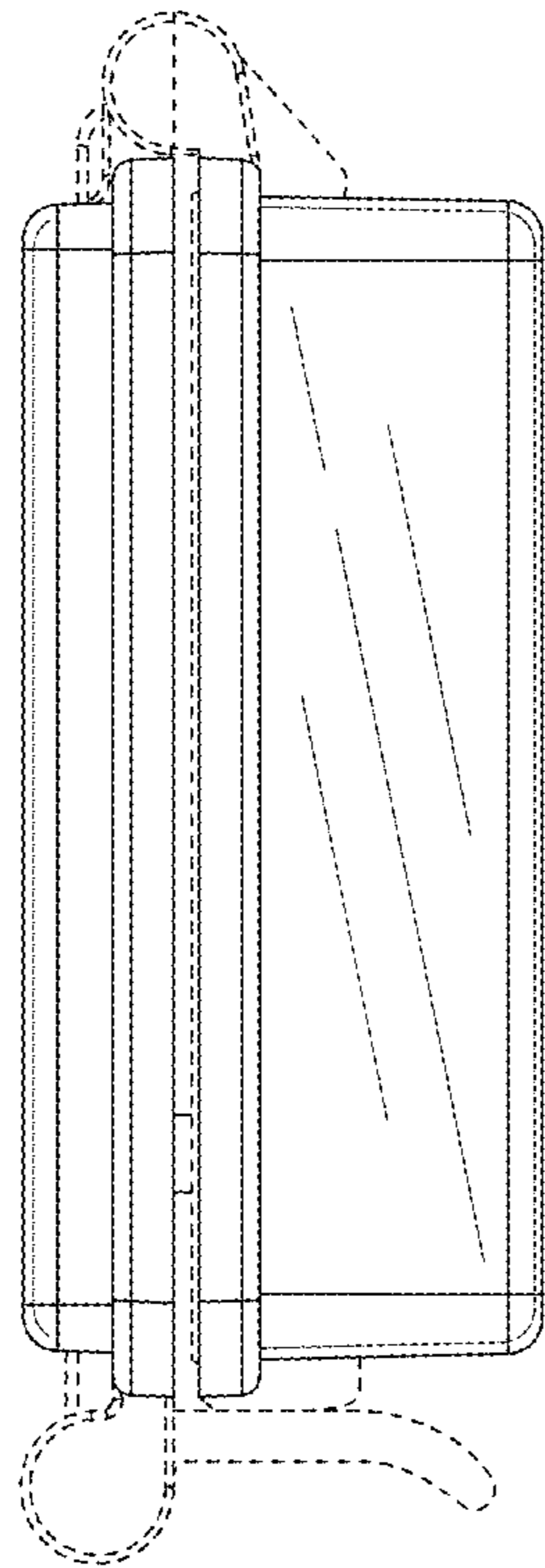


FIG.5

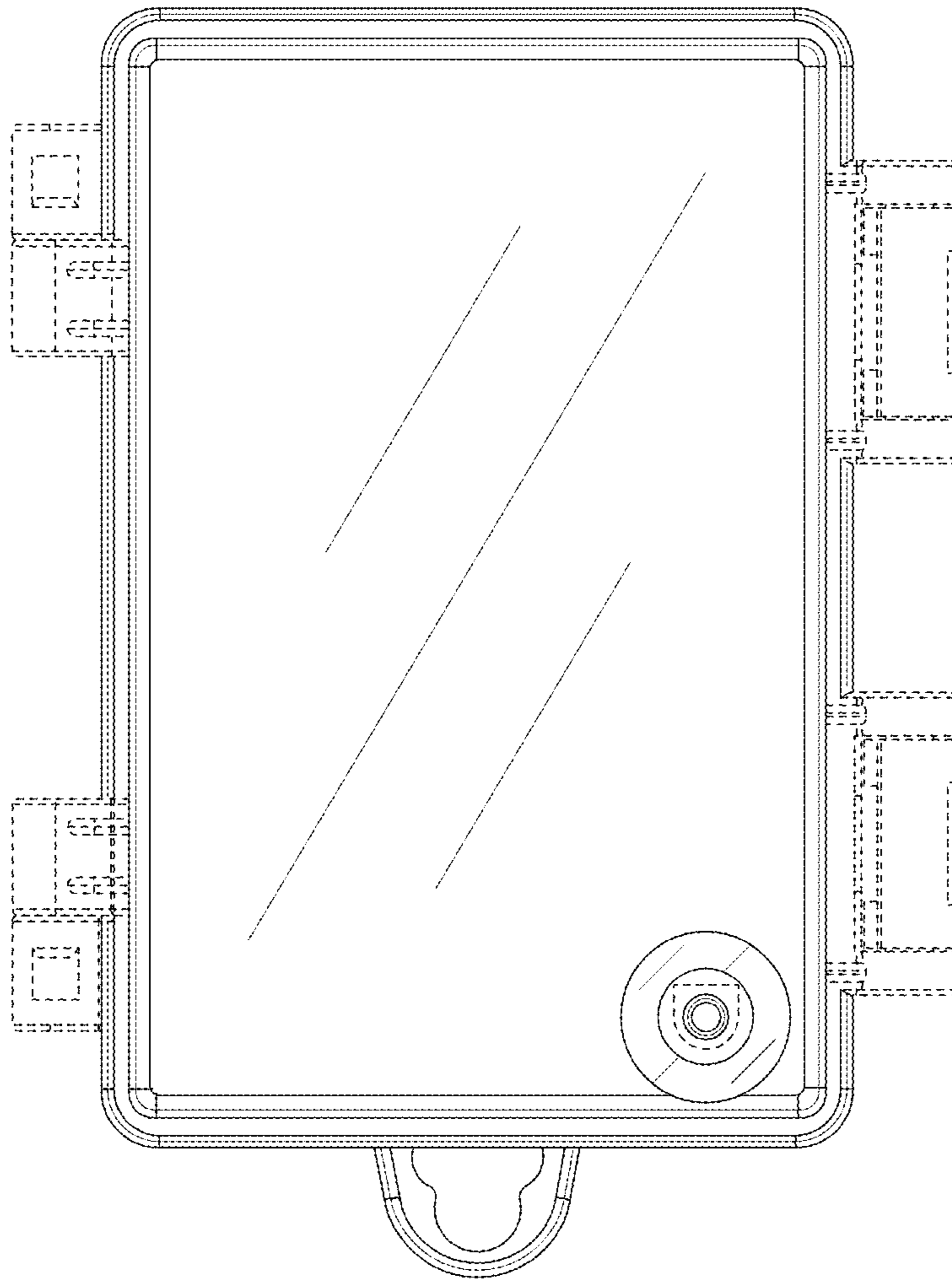


FIG.6



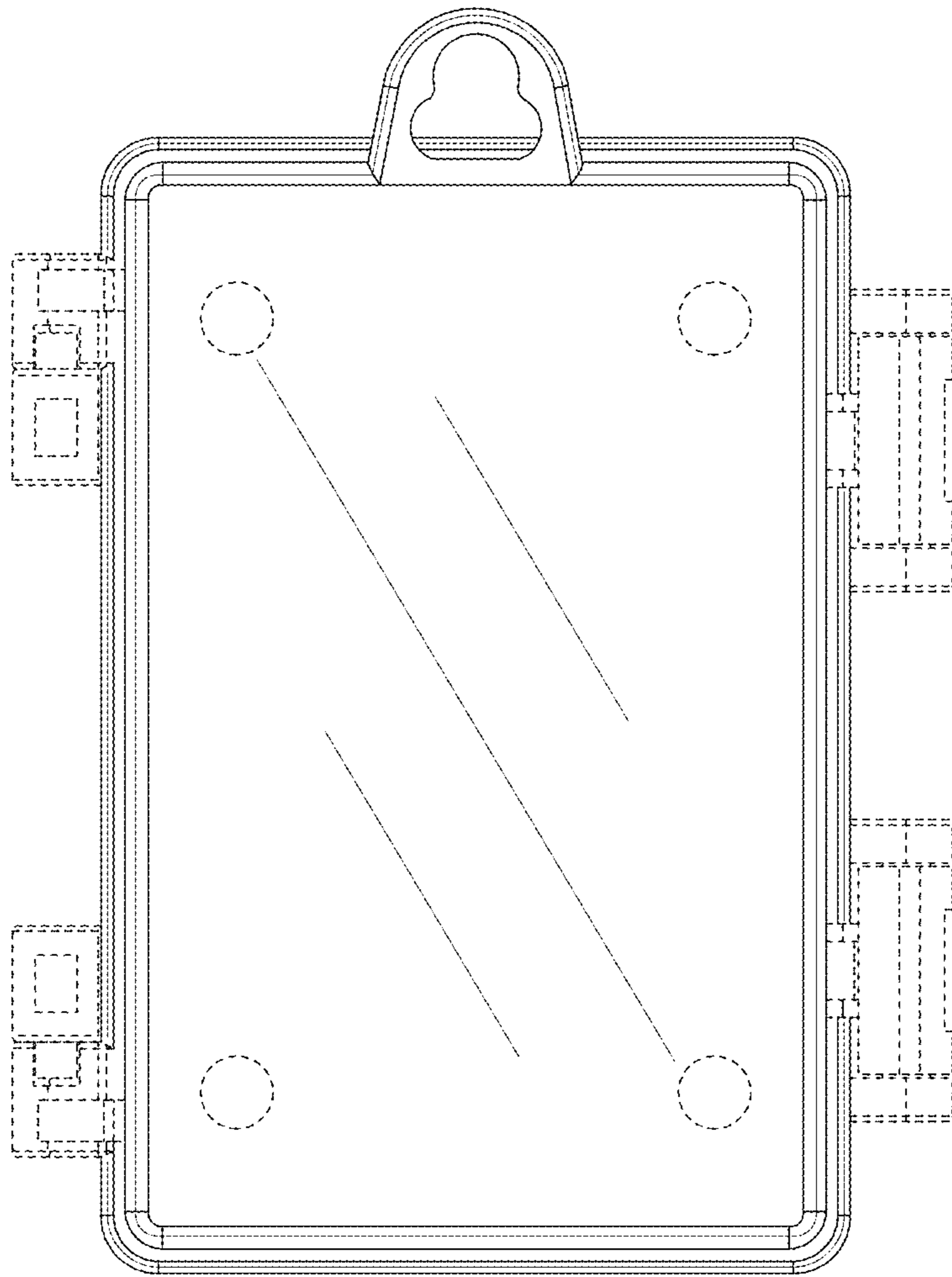


FIG.7