



US00D933589S

(12) **United States Design Patent**  
**Thanh Ly**

(10) **Patent No.:** **US D933,589 S**  
(45) **Date of Patent:** **\*\* Oct. 19, 2021**

- (54) **WATER HEATER**
- (71) Applicant: **Bill Thanh Ly**, Orange, CA (US)
- (72) Inventor: **Bill Thanh Ly**, Orange, CA (US)
- (\*\*) Term: **15 Years**
- (21) Appl. No.: **29/777,626**
- (22) Filed: **Apr. 7, 2021**
- (51) **LOC (13) Cl.** ..... **13-02**
- (52) **U.S. Cl.**  
USPC ..... **D13/102**
- (58) **Field of Classification Search**  
USPC ..... D13/102, 101, 103, 106, 110, 116, 184,  
D13/199  
CPC ..... Y02E 10/42; Y02E 10/50; Y02E 10/60;  
H02S 10/10; H02S 20/30; H02S 40/32;  
H02S 40/38; H02S 40/42; H01M  
2250/30; H01L 31/042; H01L 31/045;  
H01L 31/048; H01L 31/052; H01L  
31/0475; H01L 31/0485; Y10T 307/615;  
Y10T 307/625  
See application file for complete search history.

D516,501	S *	3/2006	Ware, Jr. ....	D13/102
D571,905	S *	6/2008	Melios .....	D23/318
7,388,348	B2 *	6/2008	Mattichak .....	H02J 7/0029 320/101
D665,063	S *	8/2012	Zhang .....	D23/318
D687,766	S *	8/2013	Hsu .....	D13/102
8,840,041	B2	9/2014	Martinez	
D801,496	S	10/2017	Letham	
D828,293	S *	9/2018	Li .....	D13/102
2012/0125913	A1	5/2012	Song	
2014/0069540	A1	3/2014	Chesnais	
2016/0285138	A1 *	9/2016	Liu .....	H01M 10/48

\* cited by examiner

*Primary Examiner* — Derrick E Holland

(57) **CLAIM**

The ornamental design for a water heater, as shown and described.

**DESCRIPTION**

FIG. 1 is a front view of a water heater showing my new design;  
 FIG. 2 is a rear view of the water heater;  
 FIG. 3 is a right side view of the water heater;  
 FIG. 4 is a left side view of the water heater;  
 FIG. 5 is a top view of the water heater;  
 FIG. 6 is a bottom view of the water heater; and,  
 FIG. 7 is a top front side perspective view of the water heater.

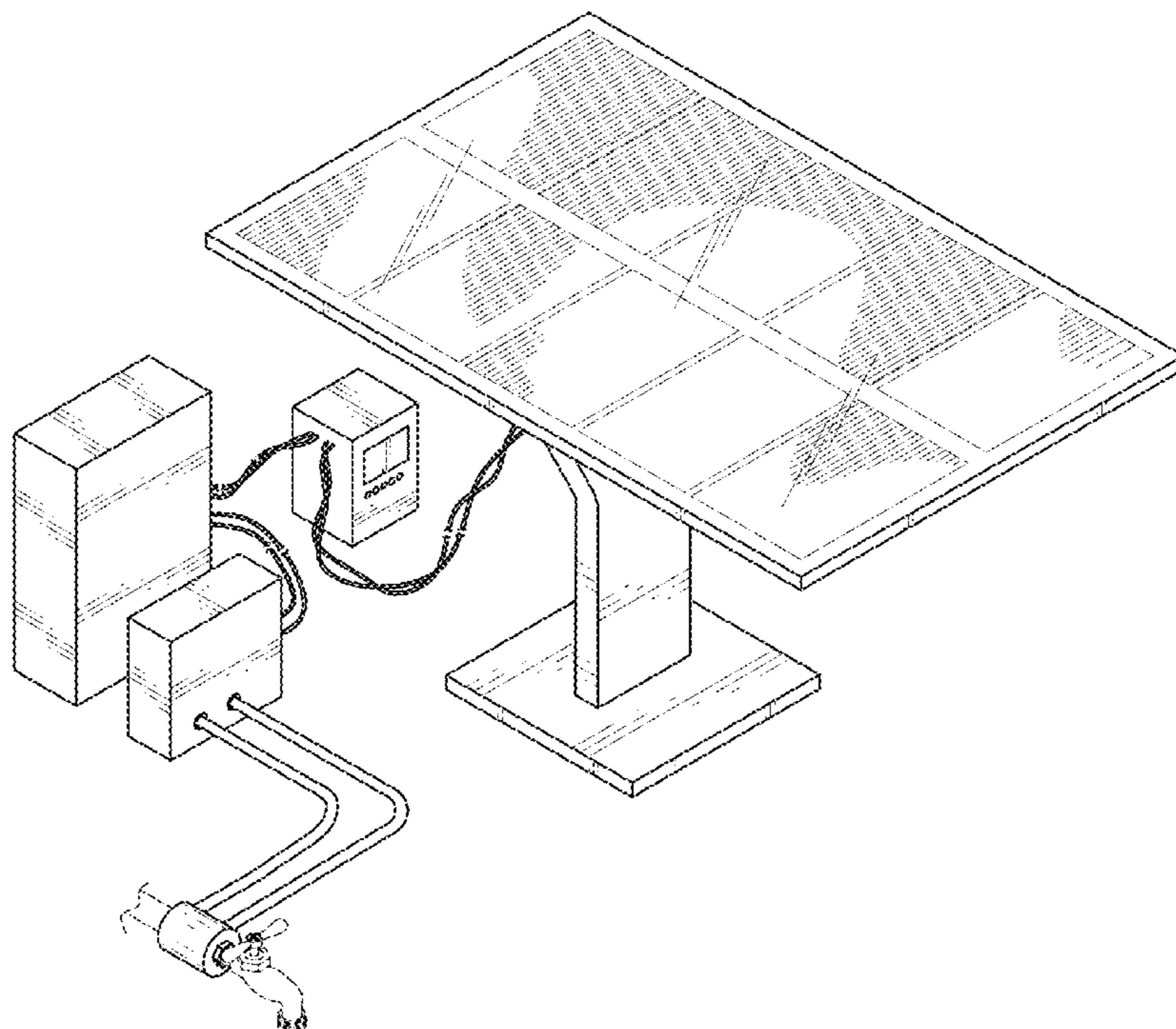
The breaks in the connections are illustrative of portions of the device forming no part of the claimed design. The broken lines are illustrative of environmental structure forming no part of the claimed design.

**1 Claim, 7 Drawing Sheets**

(56) **References Cited**

**U.S. PATENT DOCUMENTS**

2,879,372	A	3/1959	Dammond	
3,378,673	A	4/1968	Hopper	
D244,537	S *	5/1977	Riley .....	D13/102
5,522,943	A *	6/1996	Spencer .....	H02S 10/40 136/245
5,933,574	A	8/1999	Avansino	
D490,051	S *	5/2004	Kikumoto .....	D13/102
D505,113	S *	5/2005	Lam .....	D13/107



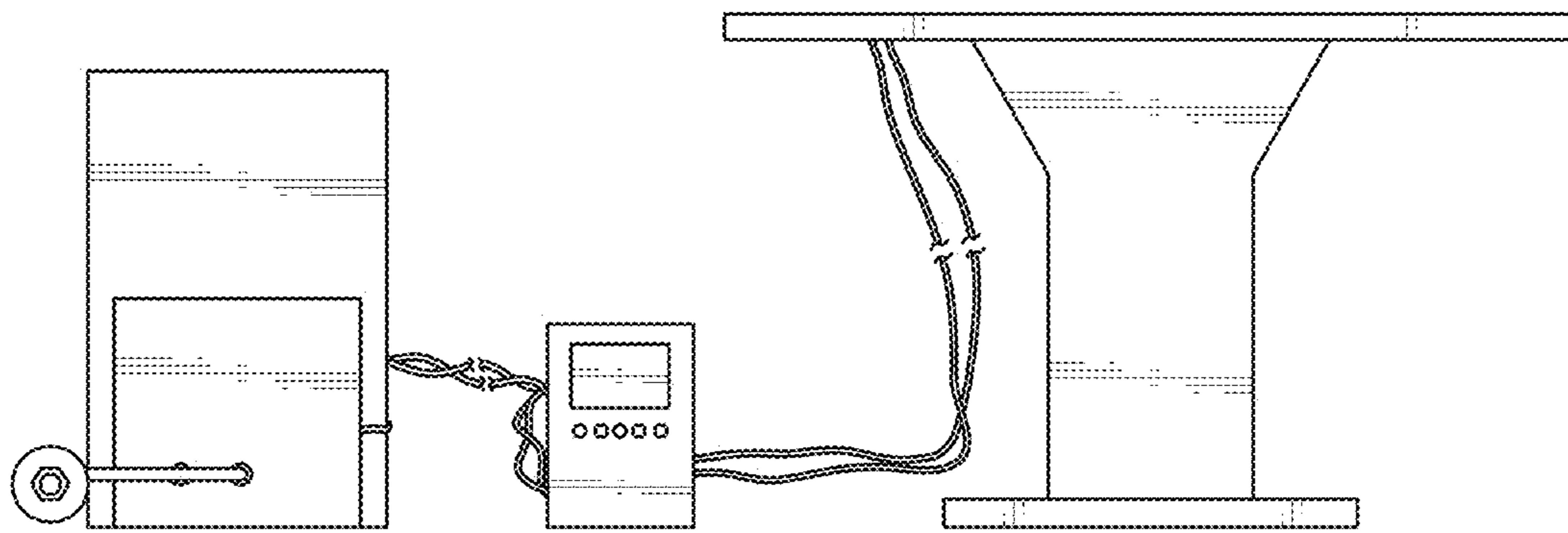


FIG. 1

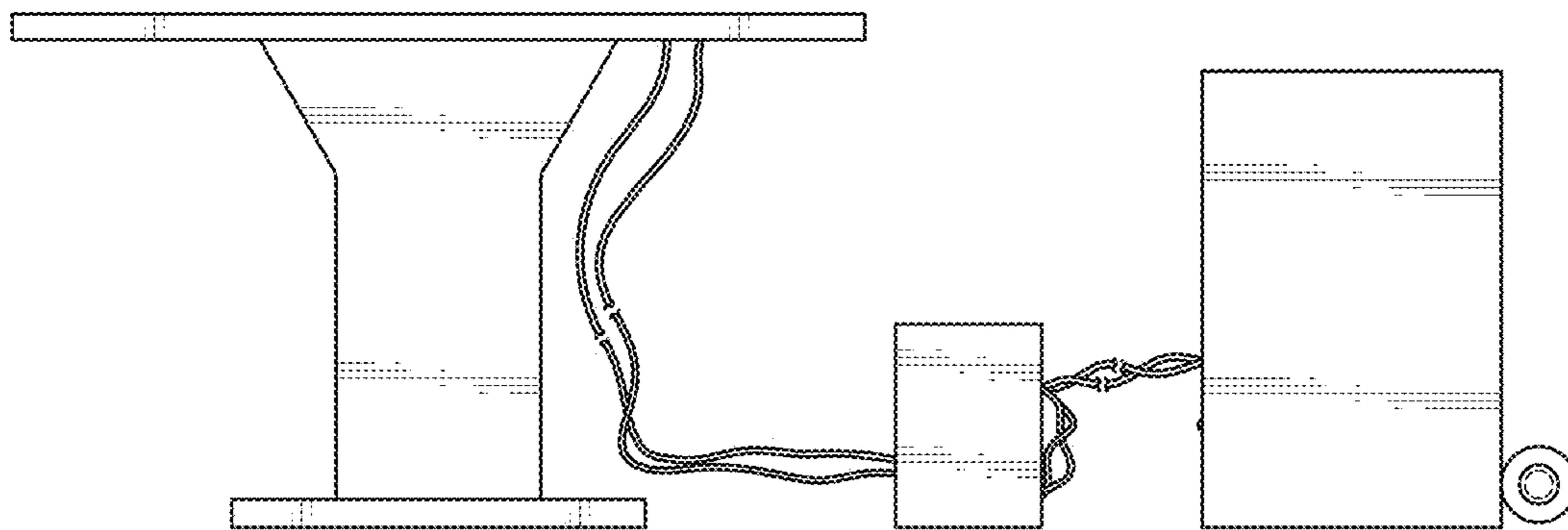


FIG. 2

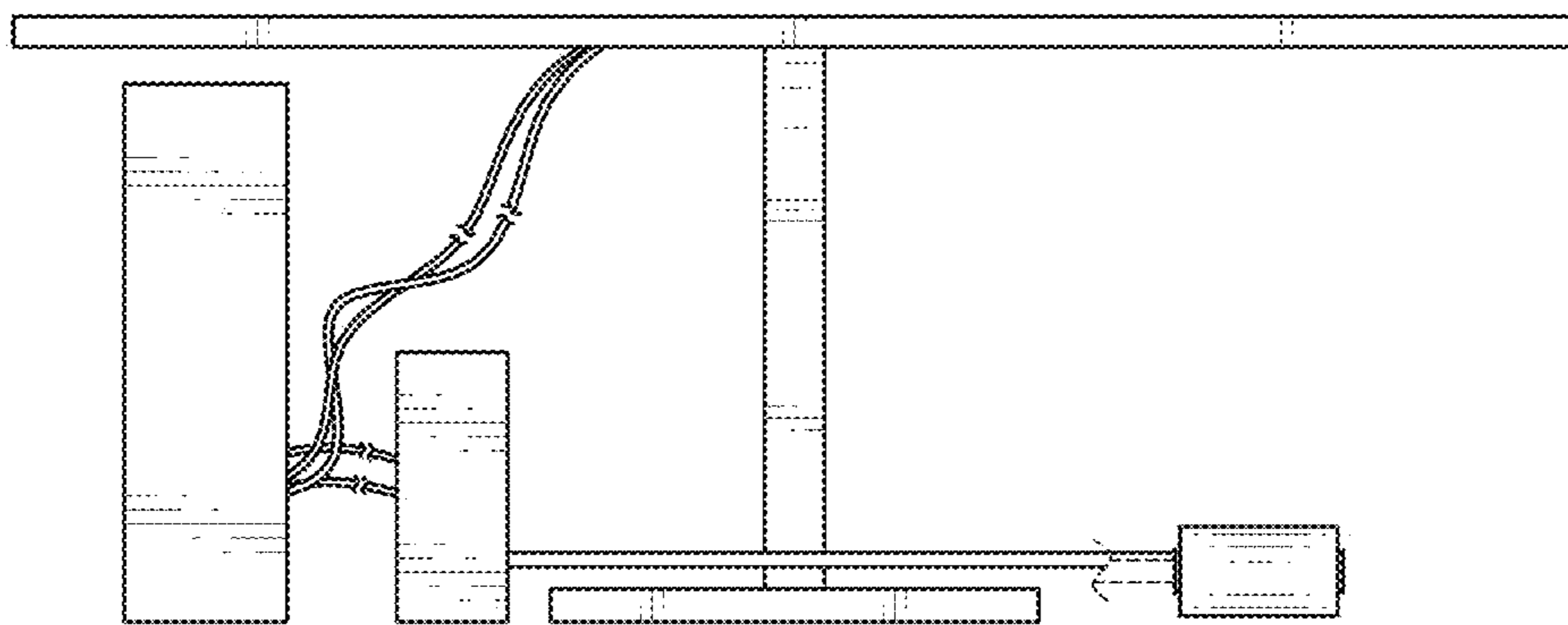


FIG. 3

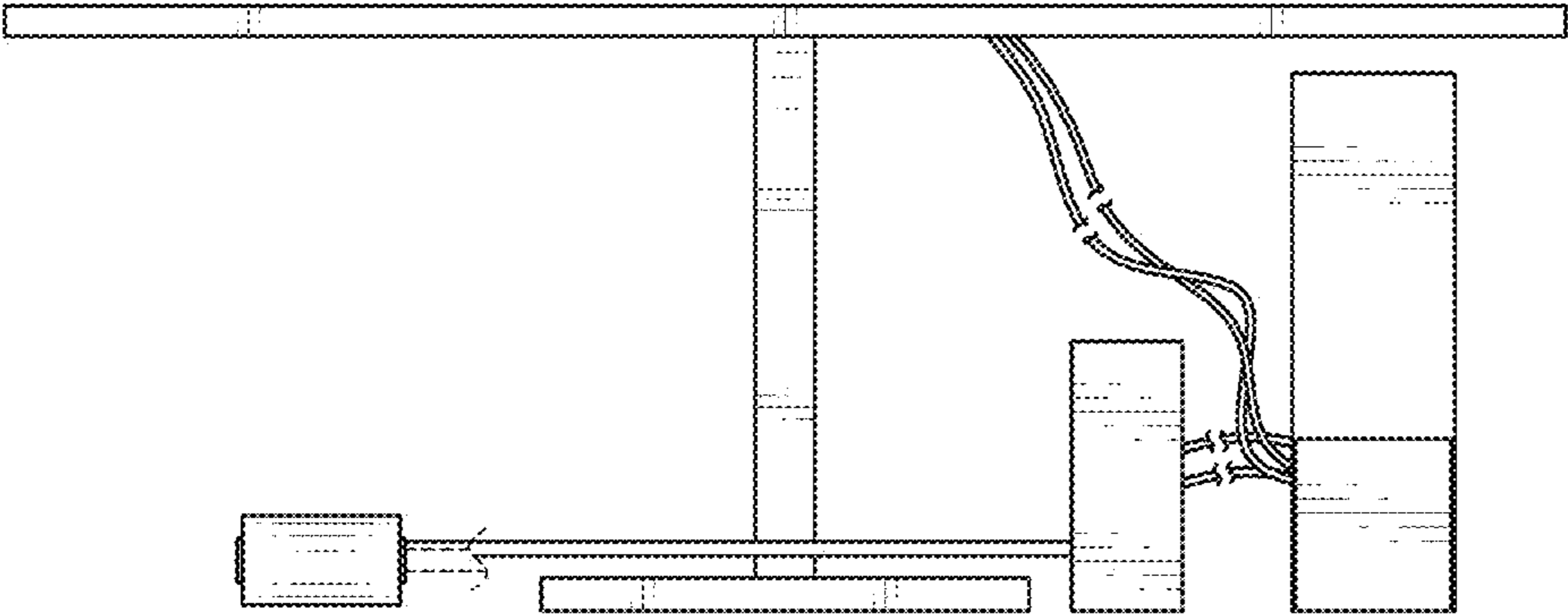


FIG. 4

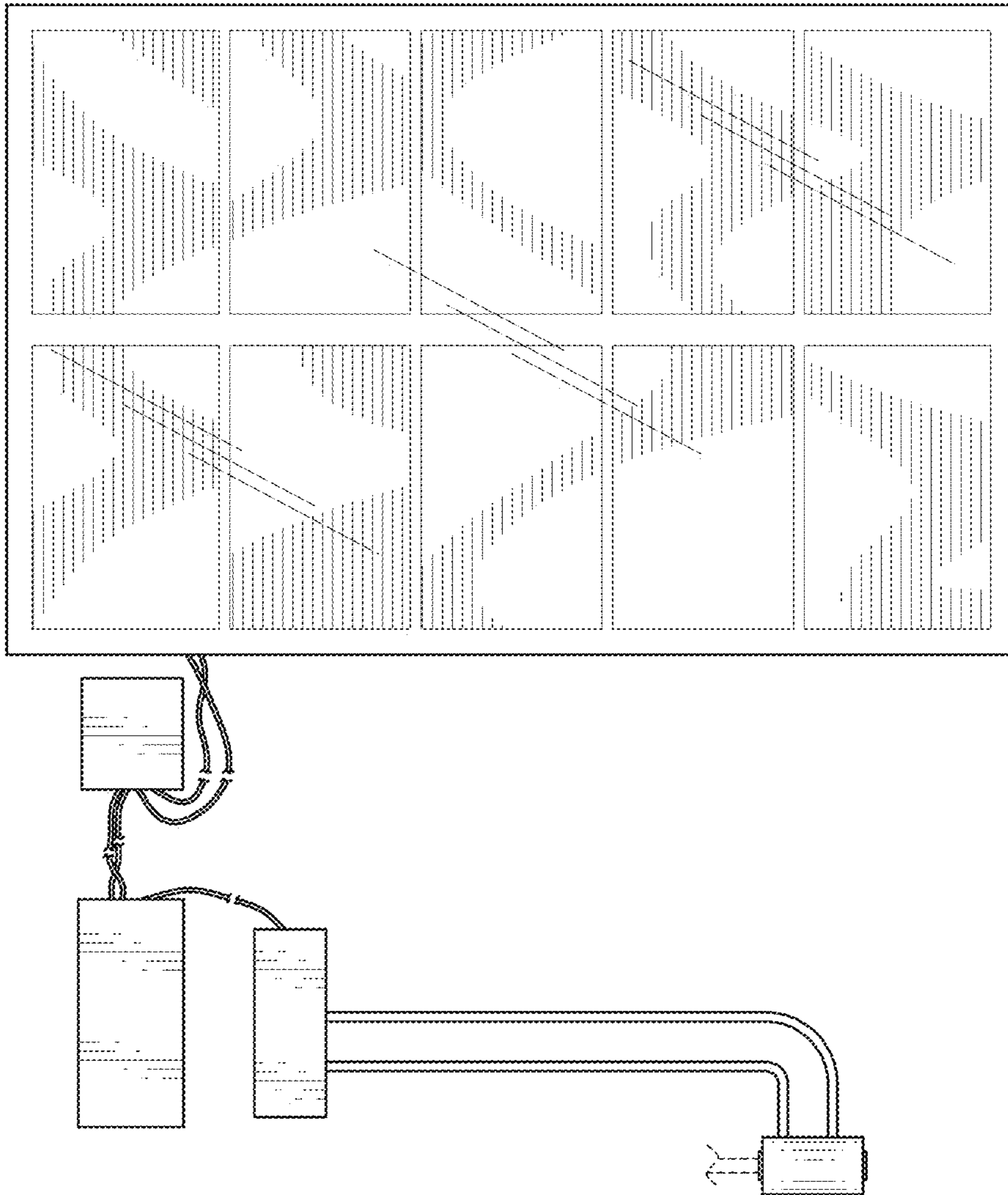


FIG. 5

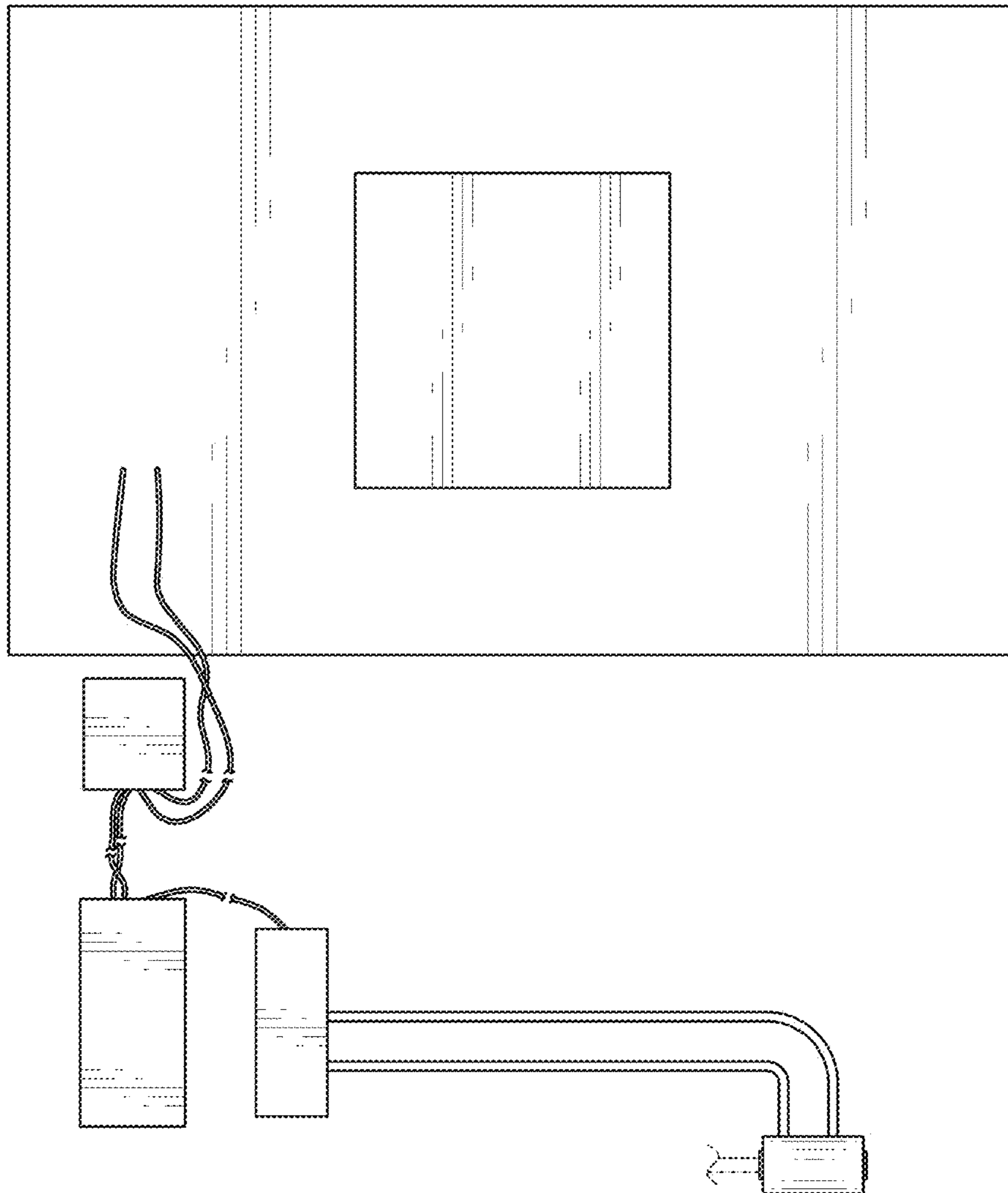


FIG. 6

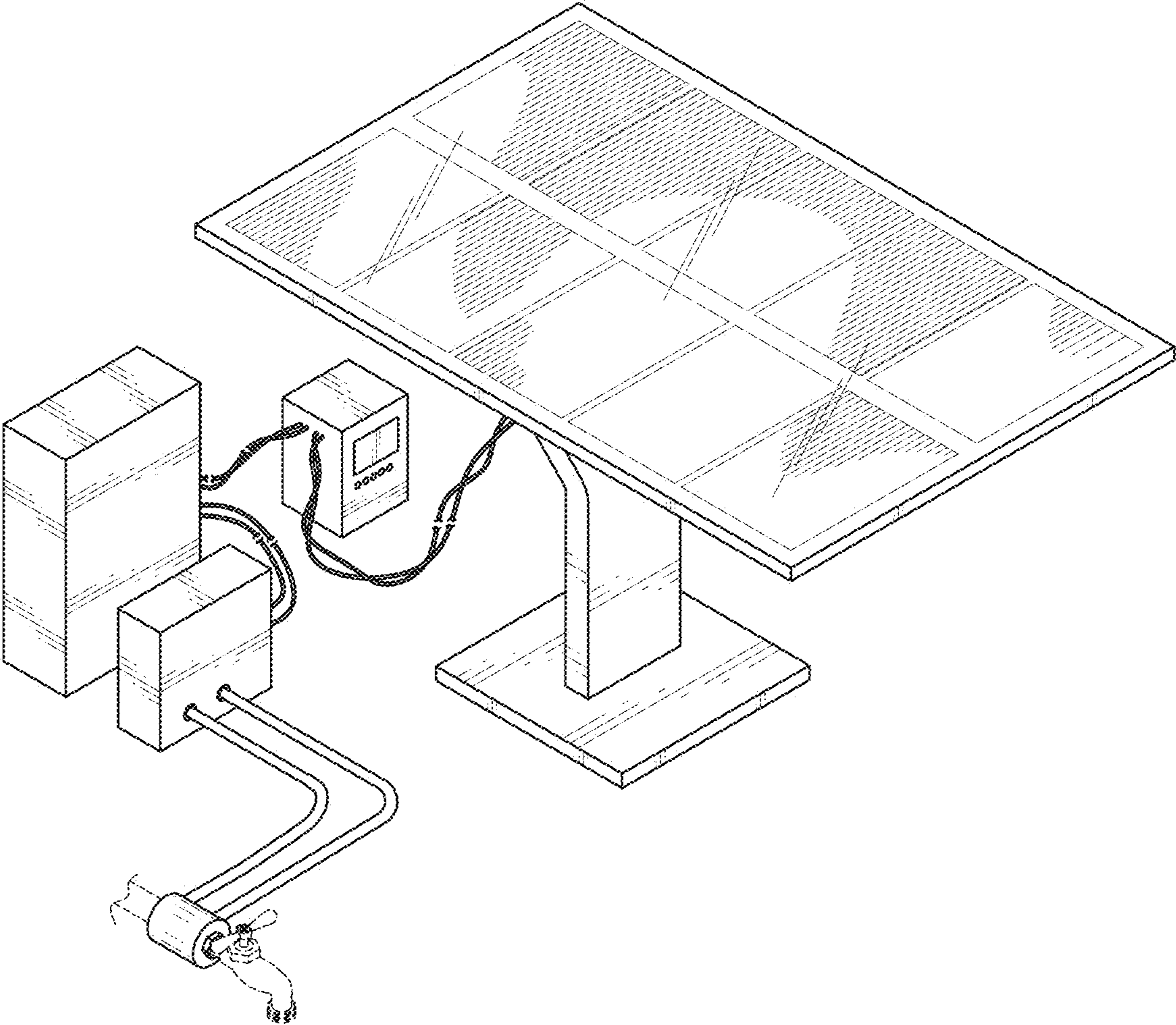


FIG. 7