



US00D933588S

(12) **United States Design Patent** (10) **Patent No.:** **US D933,588 S**  
**Li** (45) **Date of Patent:** **\*\* Oct. 19, 2021**

(54) **SOLAR GEOMETRIC FIGURE SHAPE STAKE LIGHT**

(71) Applicant: **Quanzhou Yijibai Electronic Commerce Co., Ltd., Fujian (CN)**

(72) Inventor: **Liling Li, Fujian (CN)**

(\*\*) Term: **15 Years**

(21) Appl. No.: **29/743,625**

(22) Filed: **Jul. 23, 2020**

(51) **LOC (13) Cl.** ..... **13-02**

(52) **U.S. Cl.**  
USPC ..... **D13/102; D26/67**

(58) **Field of Classification Search**  
USPC ..... D13/102, 101, 103, 107, 108, 184, 199;  
D26/63, 67, 68, 71, 72  
CPC ..... H01L 31/00; H01L 31/18; H01L 31/042;  
H01L 31/045; H01L 31/048; H01L 31/052; H01L 31/054; H01L 31/0475;  
H01L 31/0485; H01M 10/052; H01M 10/465; H02S 30/10; H02S 30/20; H02S 10/40; H02S 40/42; Y02E 10/50; Y02E 10/52; Y10S 136/291; Y10S 136/293; H02J 7/355; G06F 1/1628; F21S 8/006; F21V 21/06; F21V 21/12

See application file for complete search history.

(56) **References Cited**

U.S. PATENT DOCUMENTS

D574,537 S \* 8/2008 Sanoner ..... D26/67  
D615,684 S \* 5/2010 Chen ..... D26/68

D638,968 S \* 5/2011 Chen ..... D26/67  
D639,992 S \* 6/2011 Chen ..... D26/68  
D830,295 S \* 10/2018 Sooferian ..... D13/102  
D851,315 S \* 6/2019 Chen ..... D26/67  
D878,287 S \* 3/2020 Shi ..... D13/102  
2012/0113629 A1\* 5/2012 Steele ..... F21V 21/06  
362/190

\* cited by examiner

*Primary Examiner* — Derrick E Holland

(74) *Attorney, Agent, or Firm* — Prakash Nama; Global IP Services, PLLC

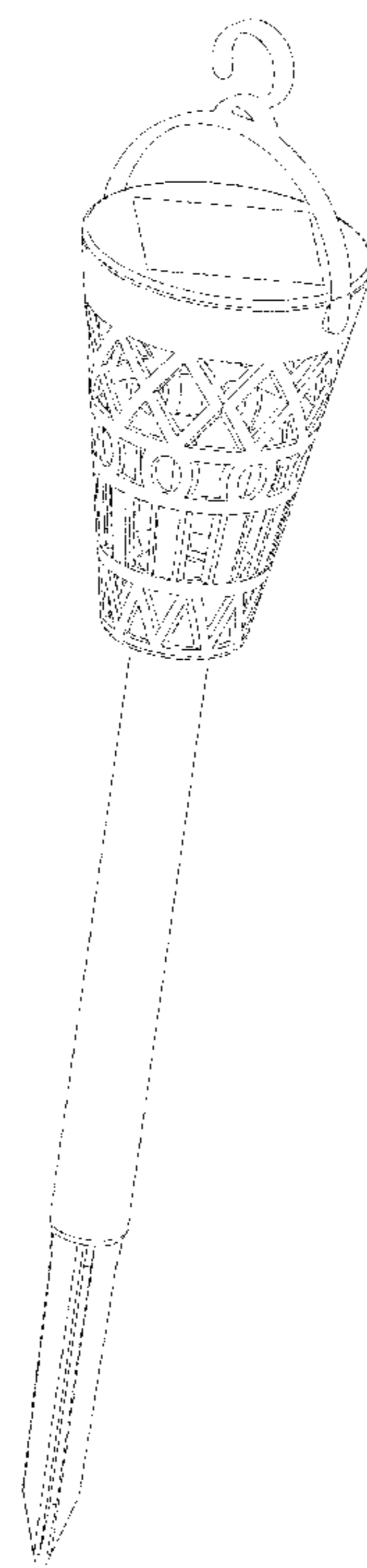
(57) **CLAIM**

The ornamental design for a solar geometric figure shape stake light, as shown and described.

**DESCRIPTION**

FIG. 1 is a front elevational view of a solar geometric figure shape stake light showing my new design;  
FIG. 2 is a rear elevational view thereof;  
FIG. 3 is a left side view thereof;  
FIG. 4 is a right side view thereof;  
FIG. 5 is a top plan view thereof;  
FIG. 6 is a bottom plan view thereof; and,  
FIG. 7 is a perspective view thereof.  
The broken lines shown represent the portions of the solar geometric figure shape stake light that form no part of the claimed design.

**1 Claim, 6 Drawing Sheets**



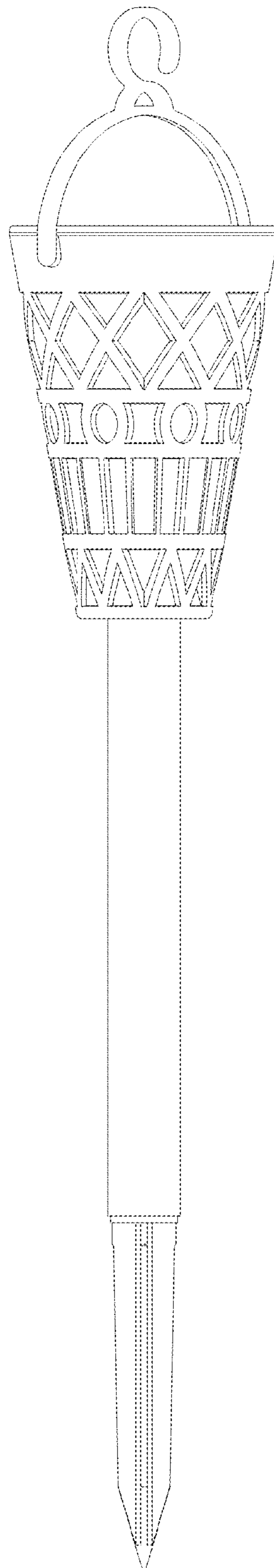


FIG. 1

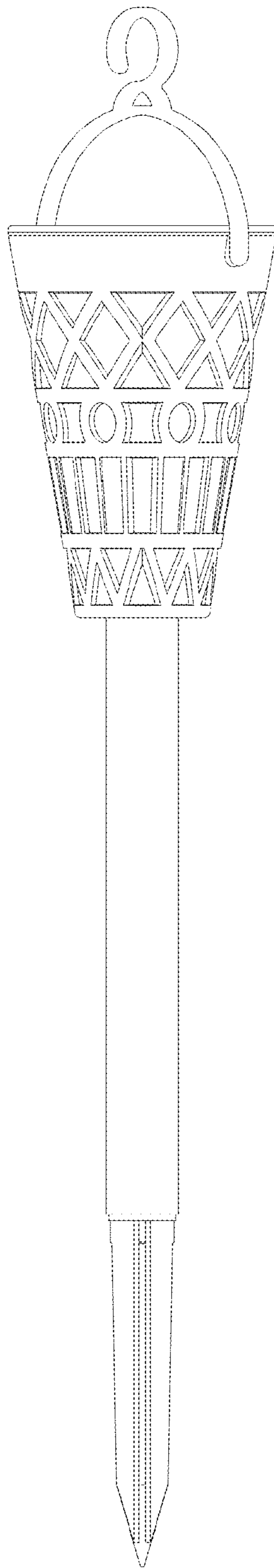


FIG. 2

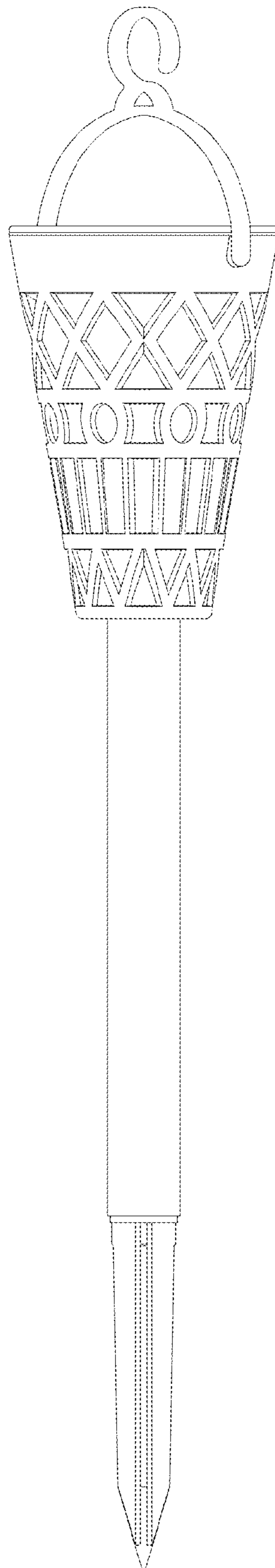


FIG. 3

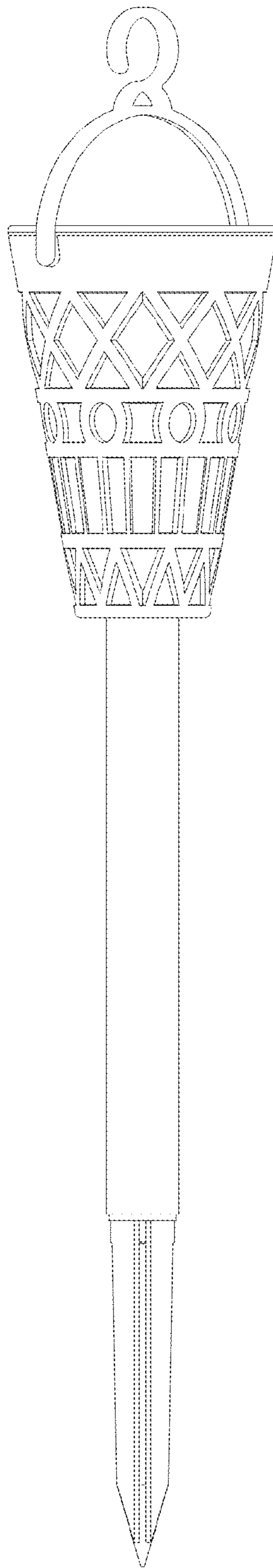


FIG. 4

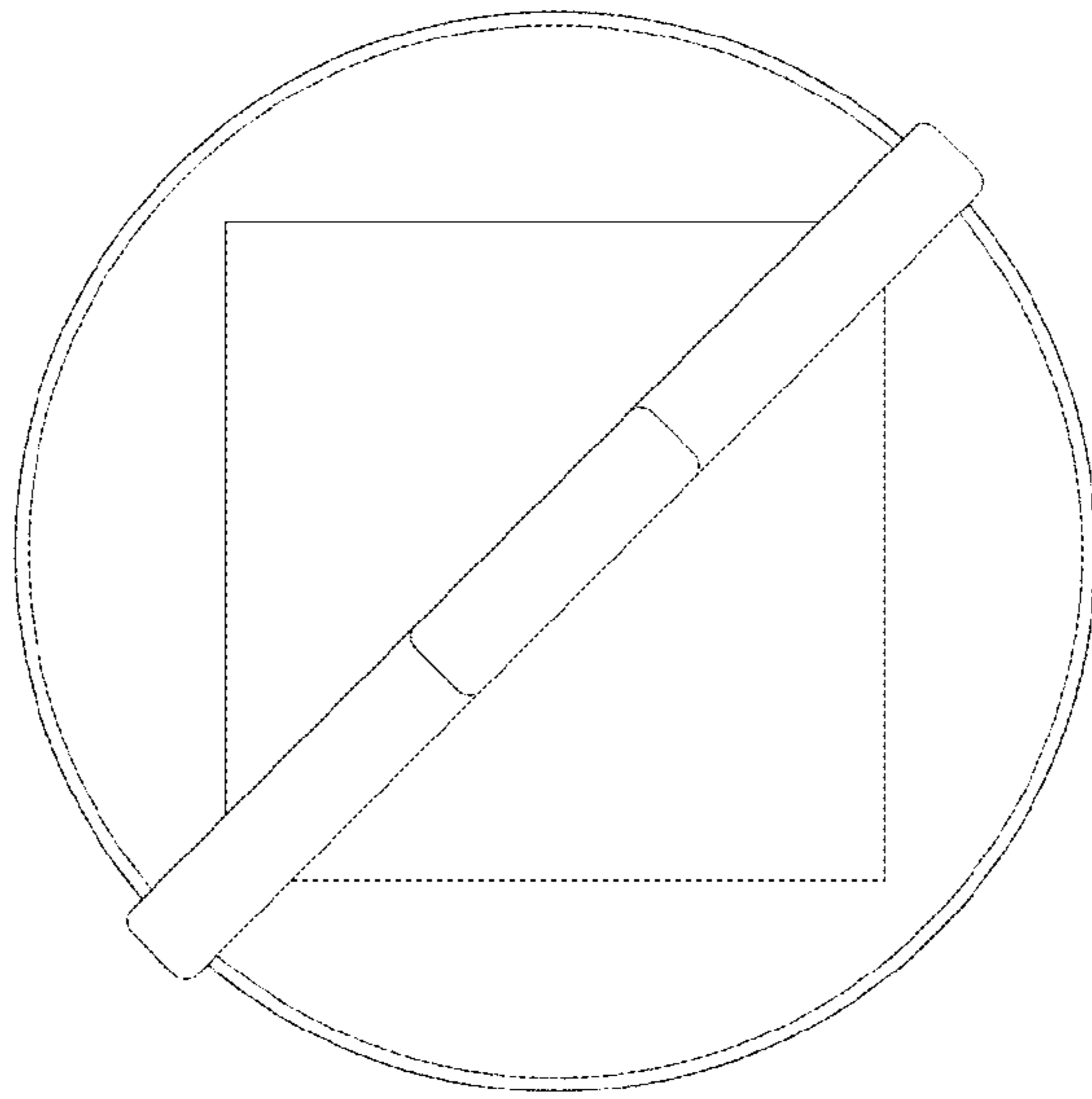


FIG. 5

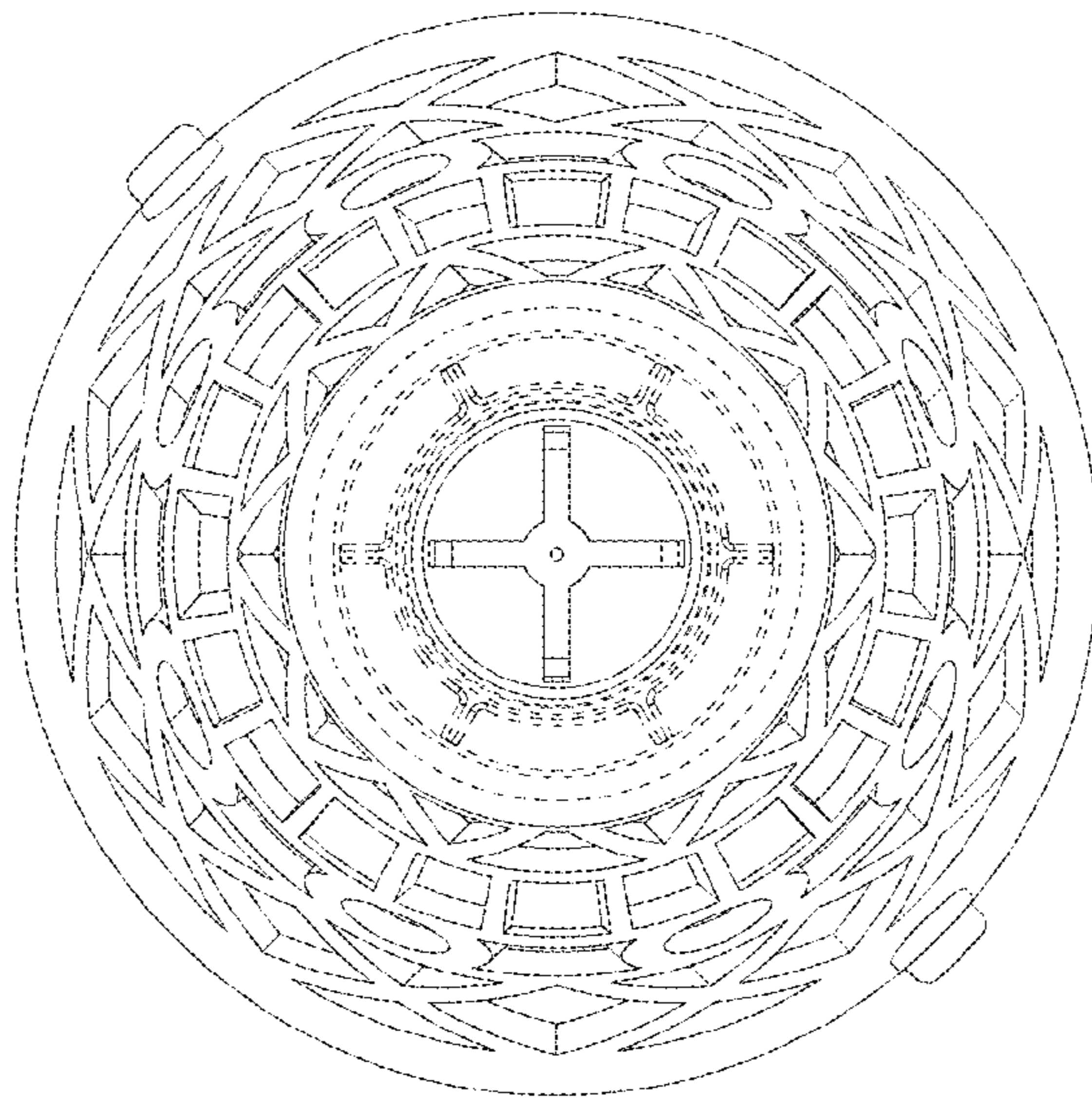


FIG. 6

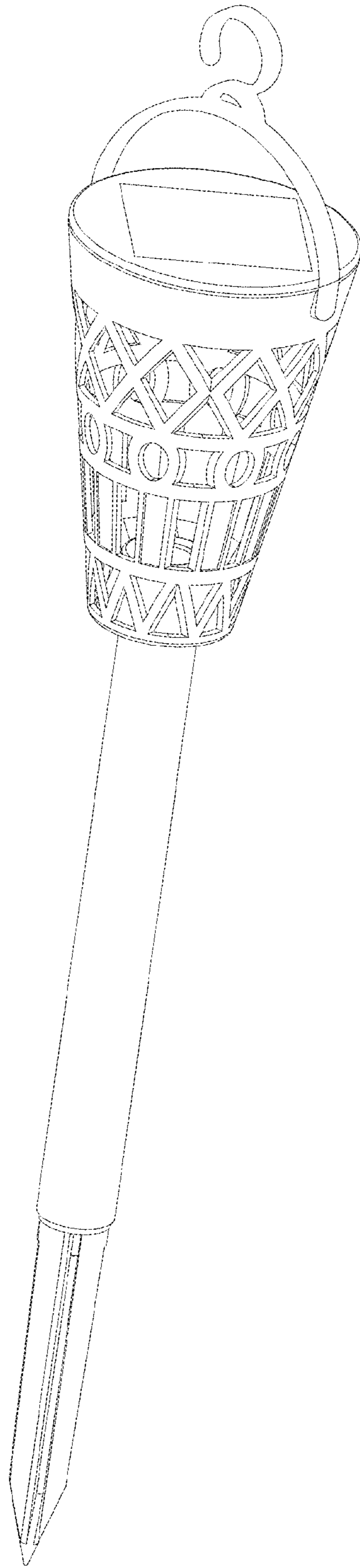


FIG. 7