



US00D933583S

(12) **United States Design Patent** (10) **Patent No.:** **US D933,583 S**
Su (45) **Date of Patent:** **** Oct. 19, 2021**

(54) **TIRE VALVE ASSEMBLY**
(71) Applicant: **Qinglin Su, KunShan (CN)**
(72) Inventor: **Qinglin Su, KunShan (CN)**
(73) Assignee: **KunShan FuLuo auto parts Co., Ltd., KunShan (CN)**
(**) Term: **15 Years**
(21) Appl. No.: **29/731,538**
(22) Filed: **Apr. 16, 2020**
(51) **LOC (13) Cl.** **12-15**
(52) **U.S. Cl.**
USPC **D12/607**
(58) **Field of Classification Search**
USPC D12/606-607, 604; D23/233, 235
CPC ... B60C 29/02; B60C 29/005; B60C 23/0494;
B60C 23/0496
See application file for complete search history.

(56) **References Cited**

U.S. PATENT DOCUMENTS

D268,924 S * 5/1983 Winther D12/606
4,538,658 A * 9/1985 Earley B60C 29/02
137/234.5
D304,817 S * 11/1989 Earley D12/606
D305,222 S * 12/1989 Geib D12/606
4,948,096 A * 8/1990 Alderman F16K 1/46
137/240
D496,627 S * 9/2004 Nikolayev D12/606
D576,254 S * 9/2008 McBroom D23/233
D624,010 S * 9/2010 Tournier D12/606
9,315,079 B2 * 4/2016 Huang B60C 23/0498
10,703,149 B2 * 7/2020 Krefting B60C 29/02
2004/0004205 A1 * 1/2004 Kuzniar F16K 1/46
251/357
2005/0087228 A1 * 4/2005 Uleski B60C 23/0494
137/223

2007/0251580 A1 * 11/2007 Perry F16K 15/205
137/382
2010/0024539 A1 * 2/2010 Hamm B60C 23/0408
73/146.5
2012/0118057 A1 * 5/2012 Rigney B60C 23/0494
73/146.8
2013/0333459 A1 * 12/2013 Yu B60C 23/0494
73/146.8
2015/0165845 A1 * 6/2015 Poertner B60C 29/005
137/231
2015/0375583 A1 * 12/2015 Chen B60C 23/0494
152/427
2016/0178075 A1 * 6/2016 Chen B60C 29/005
137/227
2016/0325593 A1 * 11/2016 Austin B60C 29/068
2018/0126805 A1 * 5/2018 Ramsubagh B60C 23/0496
2018/0333997 A1 * 11/2018 Vargus B60C 29/02
2018/0370305 A1 * 12/2018 Krefting B60C 29/02

(Continued)

Primary Examiner — Michelle E. Wilson
Assistant Examiner — Clese Moore, Jr.
(74) *Attorney, Agent, or Firm* — Che-Yang Chen; Law Office of Michael Chen

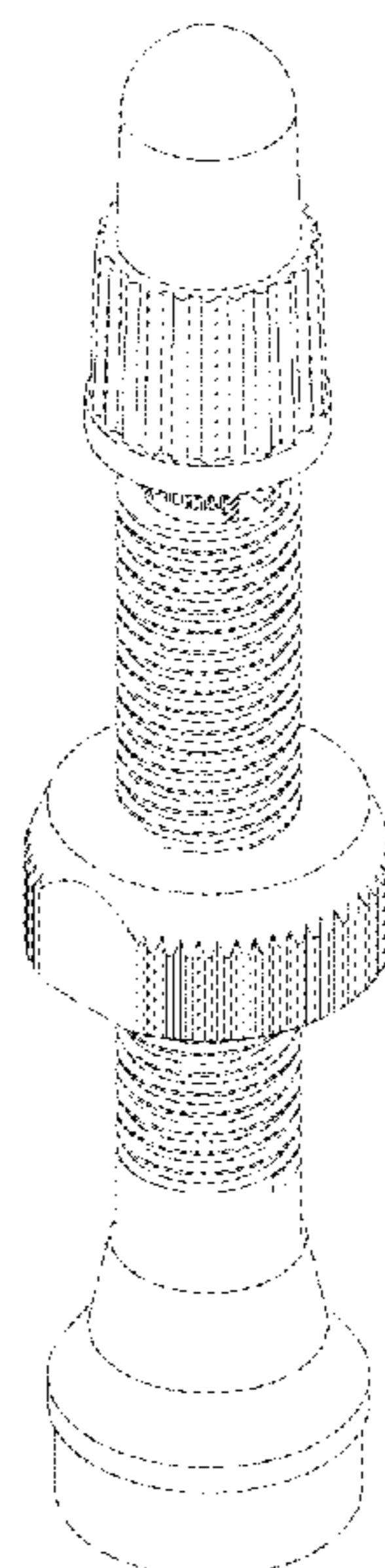
(57) **CLAIM**

The ornamental design for a tire valve assembly, as shown and described.

DESCRIPTION

FIG. 1 is a perspective view of a tire valve assembly showing my new design;
FIG. 2 is a front elevational view thereof;
FIG. 3 is a rear elevational view thereof;
FIG. 4 is a left side elevational view thereof;
FIG. 5 is a right side elevational view thereof;
FIG. 6 is a top plan view thereof; and,
FIG. 7 is a bottom plan view thereof.
The broken lines shown in the FIG. 7 are for the purpose of illustrating portions of the tire valve assembly which form no part of the claimed design.

1 Claim, 7 Drawing Sheets



(56)

References Cited

U.S. PATENT DOCUMENTS

2019/0263201 A1* 8/2019 Chang B60C 29/02
2019/0390785 A1* 12/2019 Moore B60C 29/005
2020/0079162 A1* 3/2020 Wyne B60C 29/02
2020/0086700 A1* 3/2020 Kobler B29C 73/166

* cited by examiner

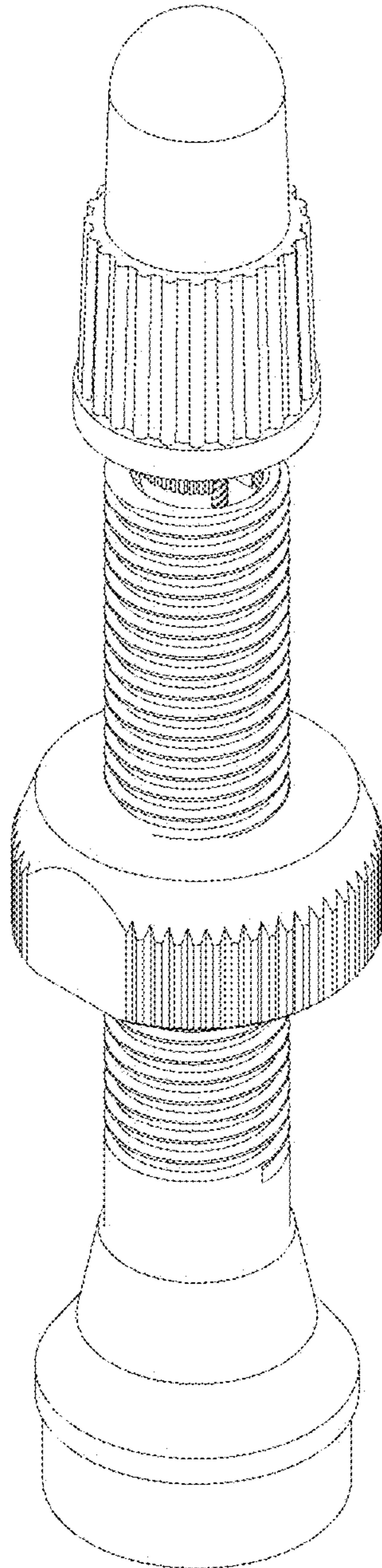


FIG. 1

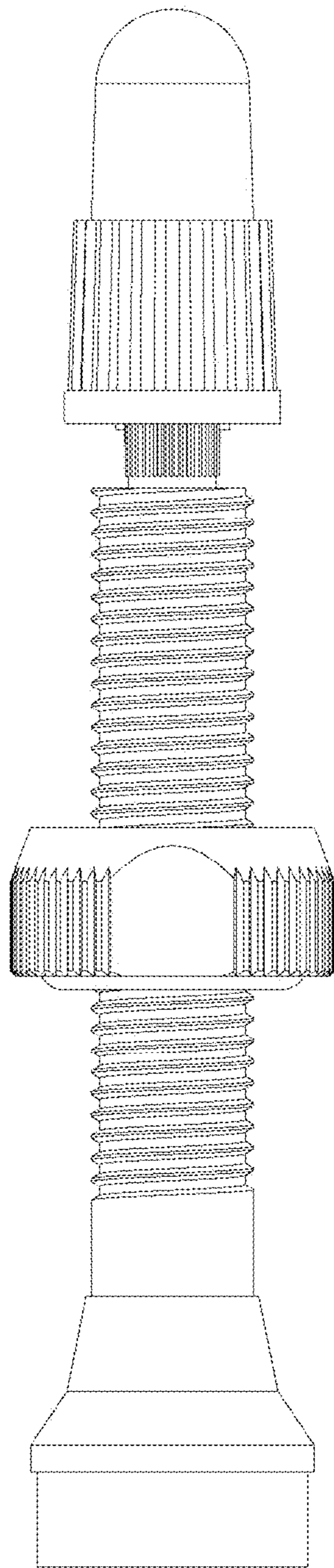


FIG. 2

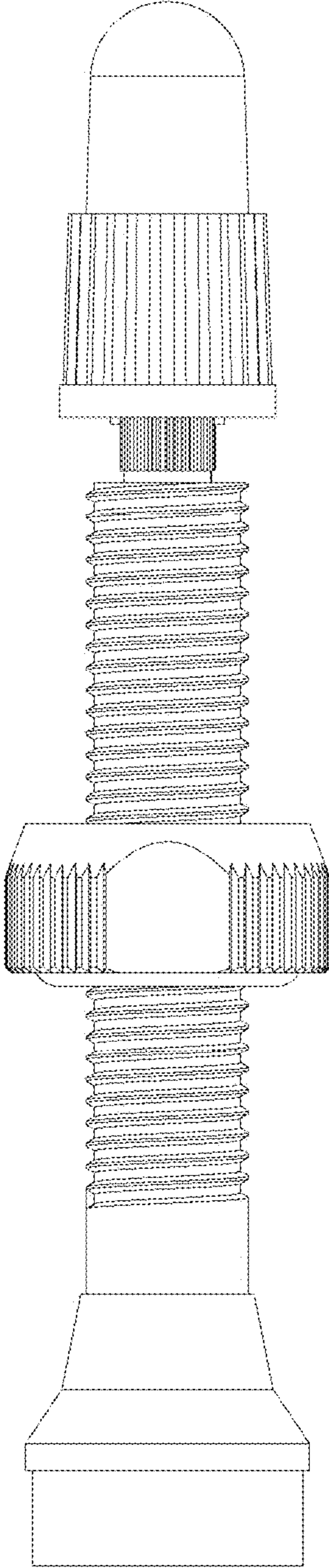


FIG. 3

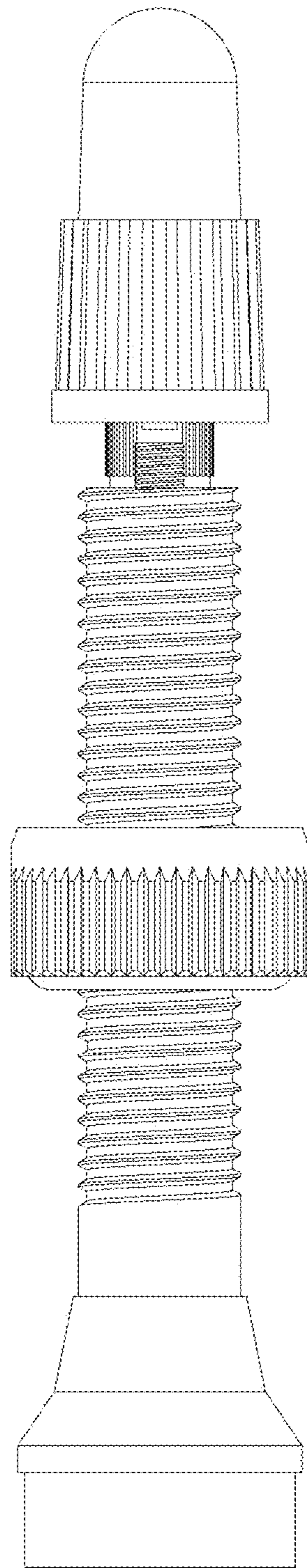


FIG. 4

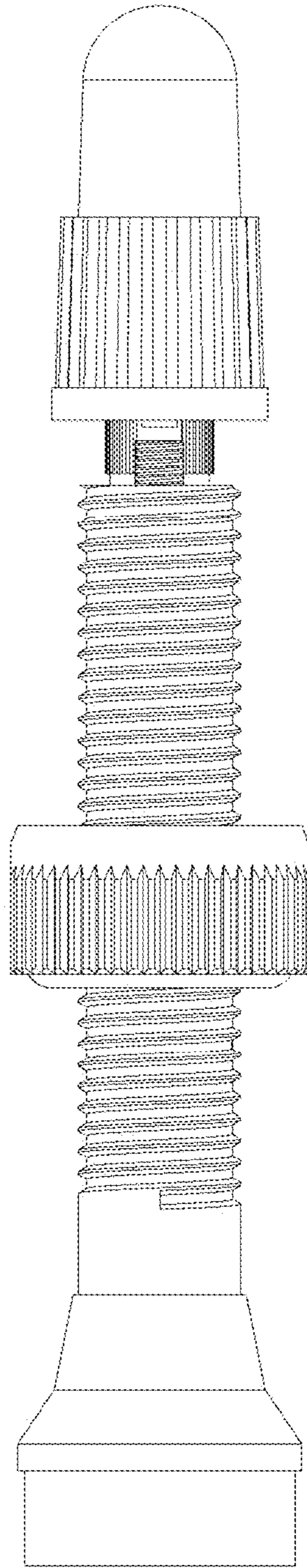


FIG. 5

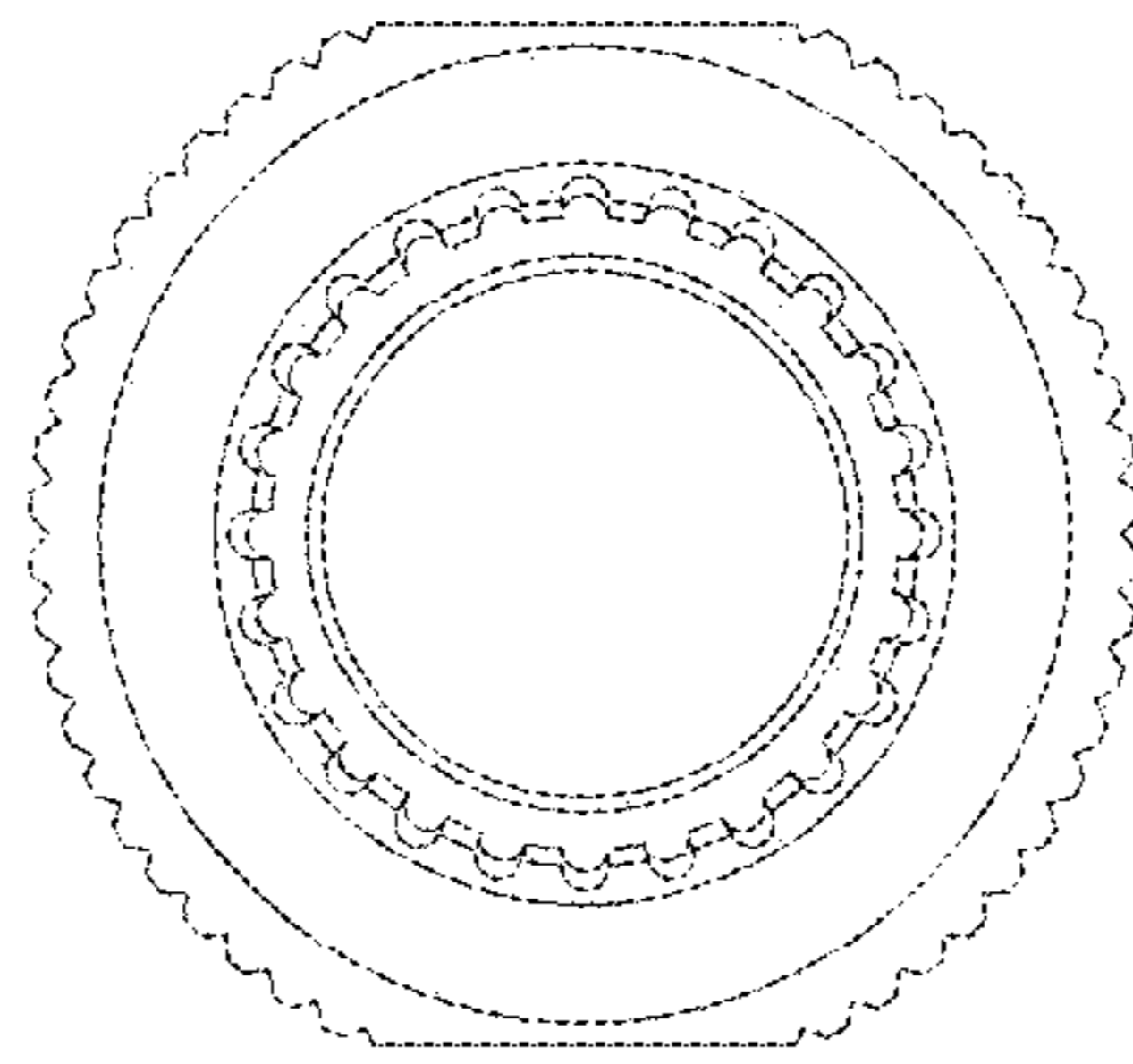


FIG. 6

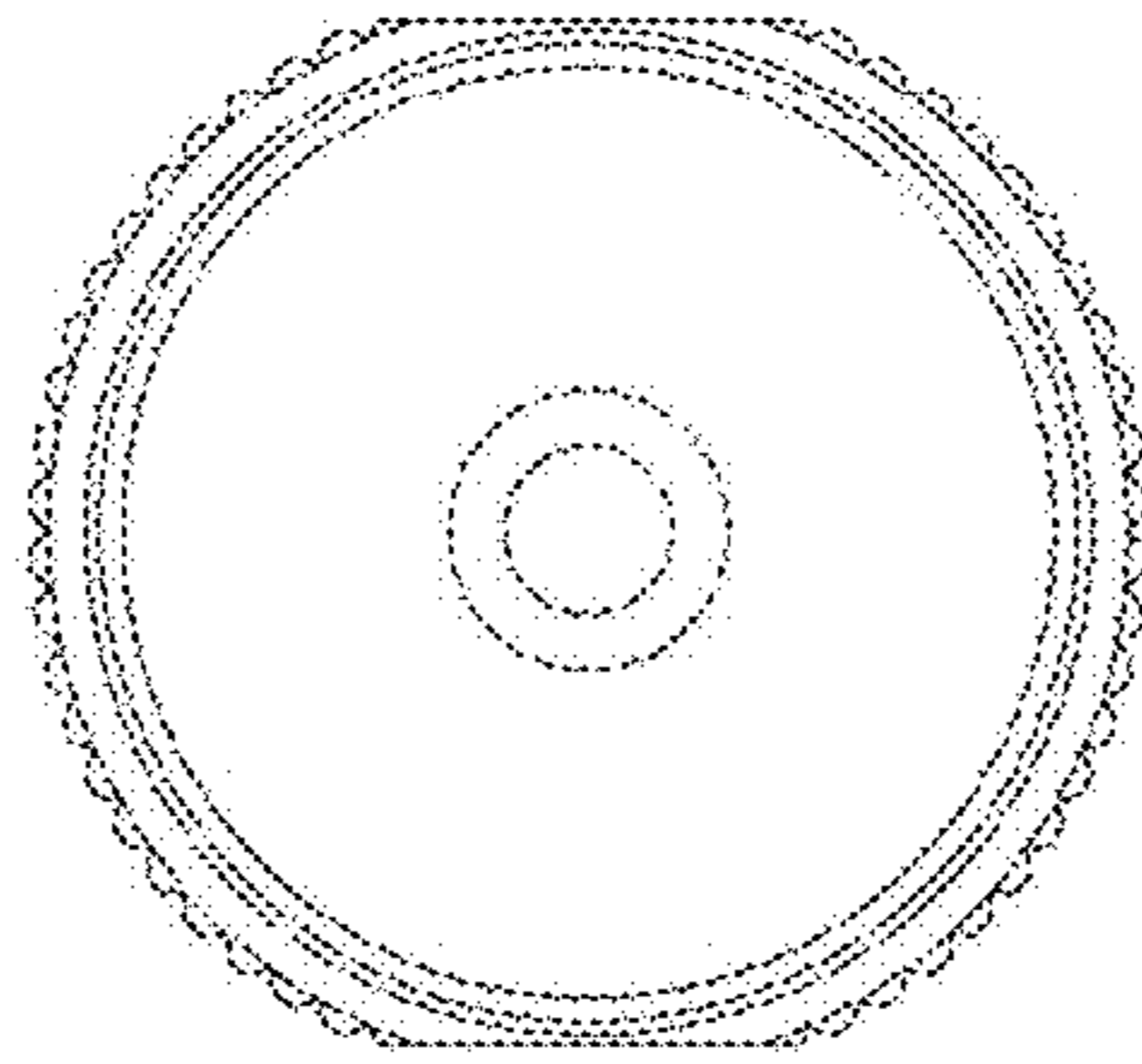


FIG. 7