



US00D933579S

(12) **United States Design Patent**
Gaddis

(10) **Patent No.:** **US D933,579 S**
(45) **Date of Patent:** **** Oct. 19, 2021**

(54) **BIKE CARRIER**

(71) Applicant: **J.R. Setina Manufacturing Co.**,
Olympia, WA (US)

(72) Inventor: **Jon L. Gaddis**, Walla Walla, WA (US)

(73) Assignee: **J.R. Setina Manufacturing Co.**,
Olympia, WA (US)

(**) Term: **15 Years**

(21) Appl. No.: **29/709,386**

(22) Filed: **Oct. 14, 2019**

(51) **LOC (13) Cl.** **12-16**

(52) **U.S. Cl.**
USPC **D12/406**

(58) **Field of Classification Search**
USPC D12/111, 115, 120, 159, 161, 169, 400,
D12/402, 406-408, 412, 414, 420
CPC ... B62H 3/00; B62H 3/04; B62H 3/08; B62H
3/10; B60R 9/06; B60R 9/10; B60R
11/00

See application file for complete search history.

(56) **References Cited**

U.S. PATENT DOCUMENTS

2,432,732	A	12/1947	Del Cano	
3,367,548	A	2/1968	Cooper	
3,670,935	A	6/1972	Hinkston	
4,299,341	A *	11/1981	Copeland B60R 9/10 224/497
5,833,074	A	11/1998	Phillips	
5,938,093	A	8/1999	Bloemer et al.	

(Continued)

OTHER PUBLICATIONS

“V-Rack 2 Bike Carrier with Stinger Tube” Advantage SportsRack.,
posted date Mar. 26, 2020 [online], [retrieved on Mar. 22, 2021].

Retrieved from the Internet <URL: <https://www.lowes.com/pd/Advantage-SportsRack-V-Rack-2-Bike-Carrier-with-Stinger-Tube/1002628556>> (Year: 2020).*

(Continued)

Primary Examiner — Darlington Ly

Assistant Examiner — Nasim Abdulaziz Ali

(74) *Attorney, Agent, or Firm* — Klarquist Sparkman,
LLP

(57) **CLAIM**

I claim the ornamental design for a bike carrier, as shown
and described.

DESCRIPTION

This application is related to U.S. Provisional Patent Appli-
cation No. 62/912,332, entitled “Bike Carrier,” filed on Oct.
8, 2019. The entire disclosure of that provisional patent
application is incorporated by reference herein.

FIG. 1 is a front, top, and right side perspective view of a
bike carrier embodying my new design;

FIG. 2 is a top and left side perspective view thereof;

FIG. 3 is a top and front perspective view thereof;

FIG. 4 is a front elevation view thereof;

FIG. 5 is a rear elevation view thereof;

FIG. 6 is a left side elevation view thereof, the right side
elevation view being a mirror image thereof;

FIG. 7 is a top plan view thereof;

FIG. 8 is a bottom plan thereof;

FIG. 9 is a front elevation view thereof, when completely
folded in configuration;

FIG. 10 is a rear elevation view thereof, when completely
folded in configuration;

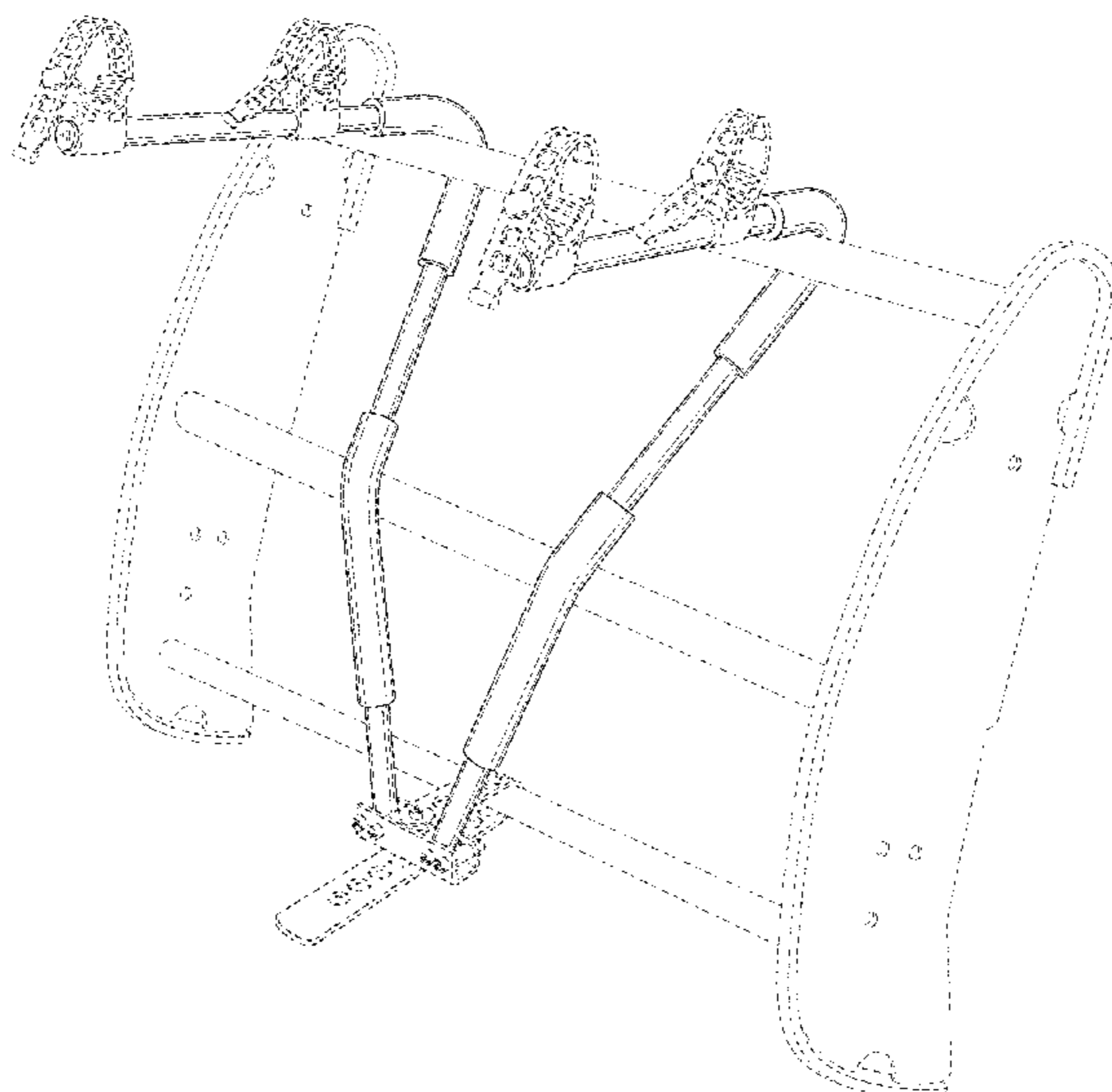
FIG. 11 is a top plan view thereof, when completely folded
in configuration;

FIG. 12 is a bottom plan view thereof, when completely
folded in configuration; and,

FIG. 13 is a side elevation view thereof, when completely
folded in configuration.

The broken lines shown in the drawings illustrate portions of
the bike carrier that form no part of the claimed design.

1 Claim, 9 Drawing Sheets



(56)

References Cited

U.S. PATENT DOCUMENTS

6,045,022 A 4/2000 Giles
 6,047,869 A 4/2000 Chiu
 D436,074 S * 1/2001 McCoy D12/407
 D669,016 S * 10/2012 Pozzi D12/408
 D684,917 S * 6/2013 Williams D12/408
 D717,717 S * 11/2014 Williams B60R 9/10
 D738,264 S * 9/2015 Williams D12/115
 D743,871 S * 11/2015 Freet D12/408
 9,254,790 B2 2/2016 Dreger et al.
 D788,019 S * 5/2017 Kuschmeader D12/408
 D789,276 S * 6/2017 Adler D12/407
 D790,434 S * 6/2017 Adler D12/408
 D811,985 S * 3/2018 Clark D12/407
 D813,784 S * 3/2018 Larsson D12/407
 D817,256 S * 5/2018 Adler D12/408
 D825,397 S * 8/2018 Nakagiri D12/115
 D825,398 S * 8/2018 Nakagiri D12/115
 D825,399 S * 8/2018 Nakagiri D12/115
 D840,912 S * 2/2019 Nakagiri D12/407
 D840,913 S * 2/2019 Nakagiri D12/407
 RE47,281 E * 3/2019 Williams B60R 9/06
 D852,114 S * 6/2019 Anderson D12/407
 D863,117 S * 10/2019 Rossiter D12/115
 D877,685 S * 3/2020 Larsson D12/406
 D880,368 S * 4/2020 Pinnell D12/115
 D883,181 S * 5/2020 Uimonen D12/406
 10,780,854 B1 9/2020 Hixson
 D906,223 S * 12/2020 Larsson D12/406

2005/0205629 A1* 9/2005 Wang B60R 9/10
 224/519
 2017/0369114 A1* 12/2017 Hyde B62H 3/08
 2019/0270423 A1* 9/2019 Hutton B60R 9/10

OTHER PUBLICATIONS

“Half Nelson 2-Bike Truck Bed Mount V-Rack” Let’s Go Aero.,
 posted date Oct. 25, 2018 [online], [retrieved on Mar. 22, 2021].
 Retrieved from the Internet <URL: <https://letsgoaero.com/half-nelson-2-bike-truck-bed-mount-v-rack/>> (Year: 2018).*

“BikeWing-2 NextGen Two Bike Hitch V-Rack” Let’s Go Aero.,
 posted date Jan. 29, 2020 [online], [retrieved on Mar. 22, 2021].
 Retrieved from the Internet <URL: <https://www.amazon.com/Lets-Go-Aero-BikeWing-2-NextGen/dp/B084C7L14Z>> (Year: 2020).*

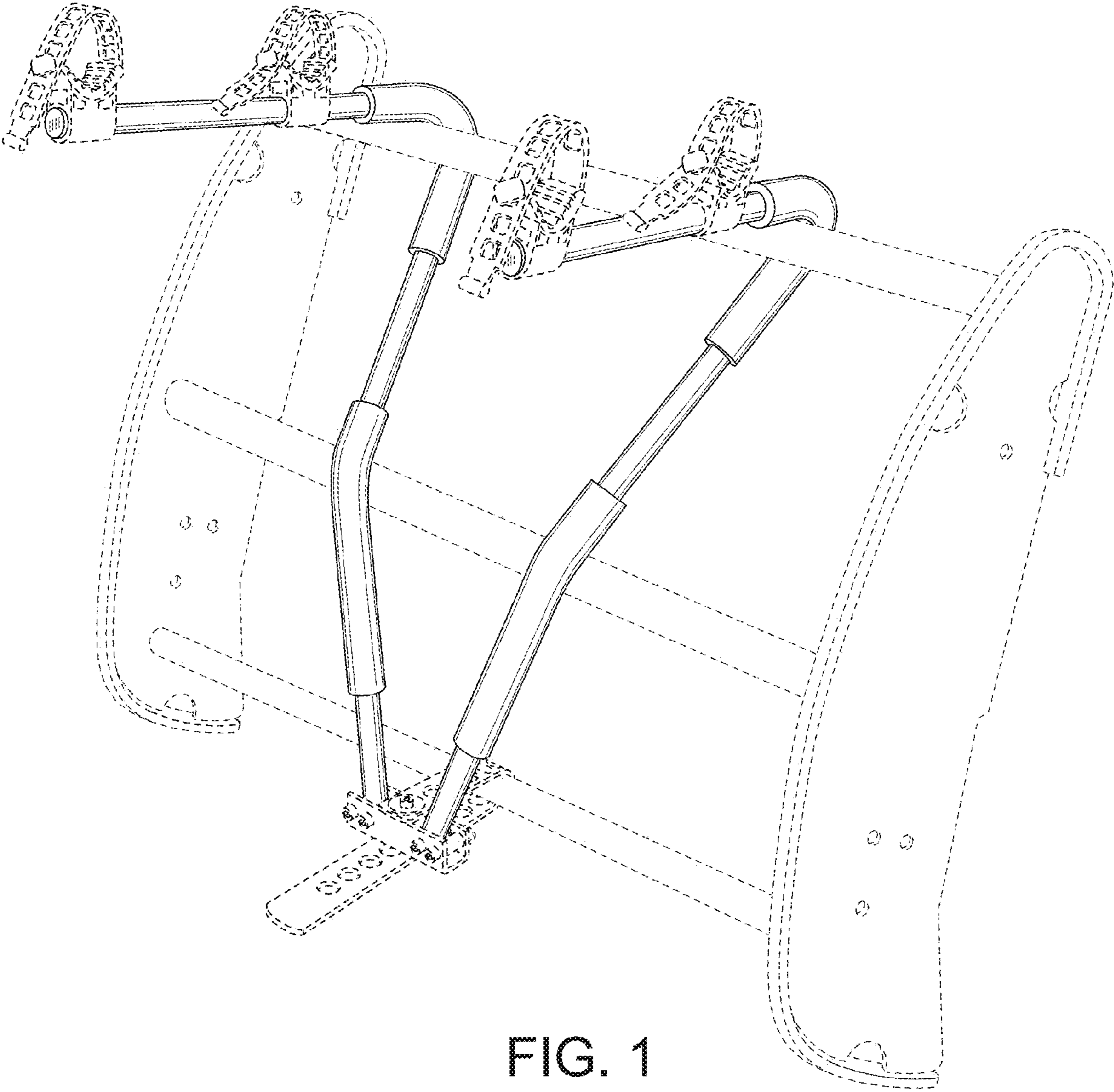
“Technical Specifications,” Adaptable Technologies LLC, 2019c,
 downloaded from <https://www.adaptabletechnologiesllc.com/technology> on May 18, 2020.

“Vehicle-Mounted Bike Racks for Public Safety Cyclists,” IPMBA
 News (Jan. 10, 2008), downloaded from <http://ipmba.org/resources/product-detail/vehicle-mounted-bike-racks-for-public-safety-cyclists> on May 18, 2020.

Swagman G10 2 bike platform hitch mount bike rack, downloaded
 from <https://www.swagman.net/product.htm?pid=828199&cat=40492> on May 18, 2020.

Facebook Search Results in West Coast Lights and Sirens, down-
 loaded from <https://www.facebook.com/page/177312988973777/search/?q=bike>, 8 pp. (dated Dec. 5, 2013) (downloaded on Oct. 7, 2020).

* cited by examiner



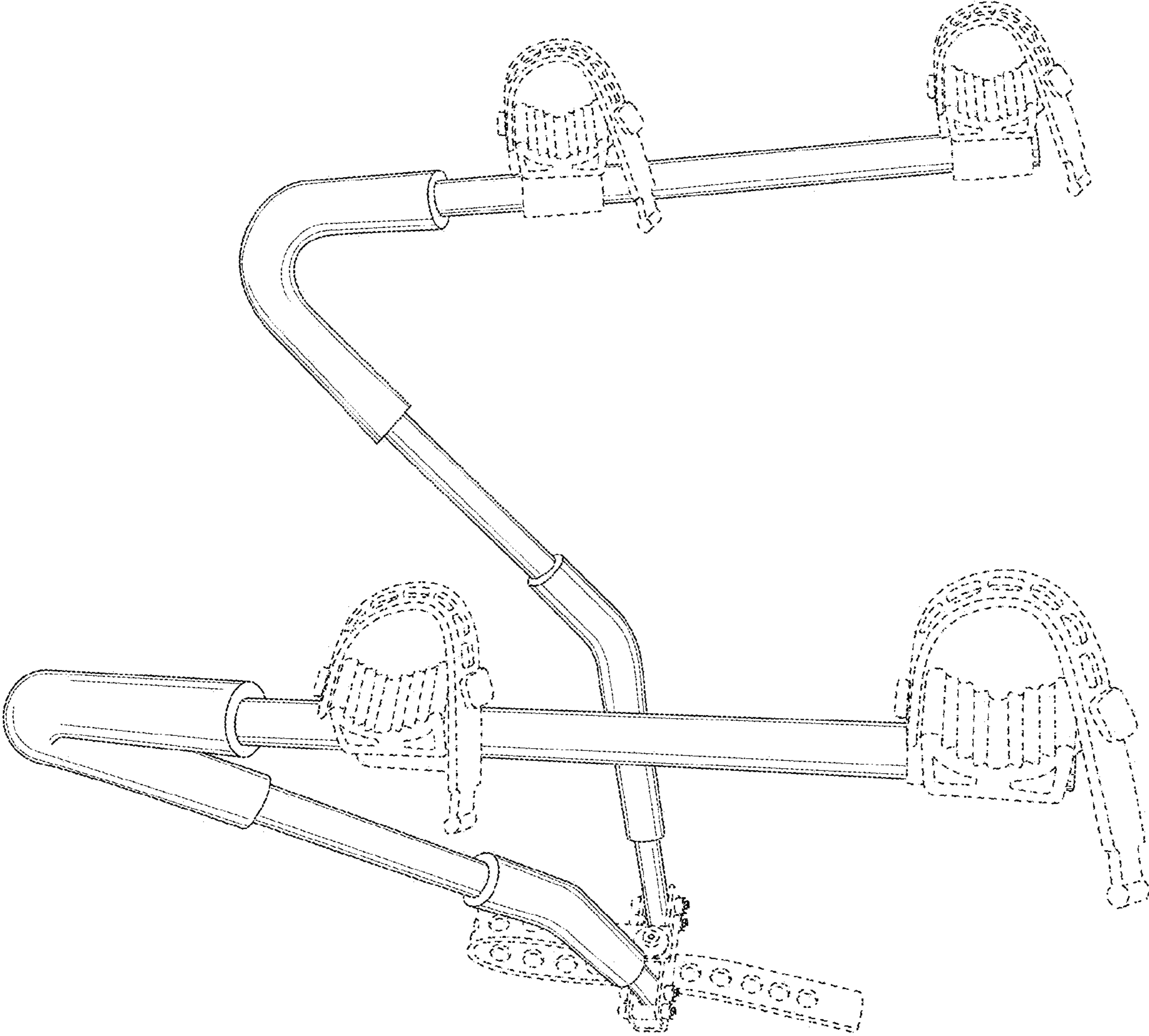


FIG. 2

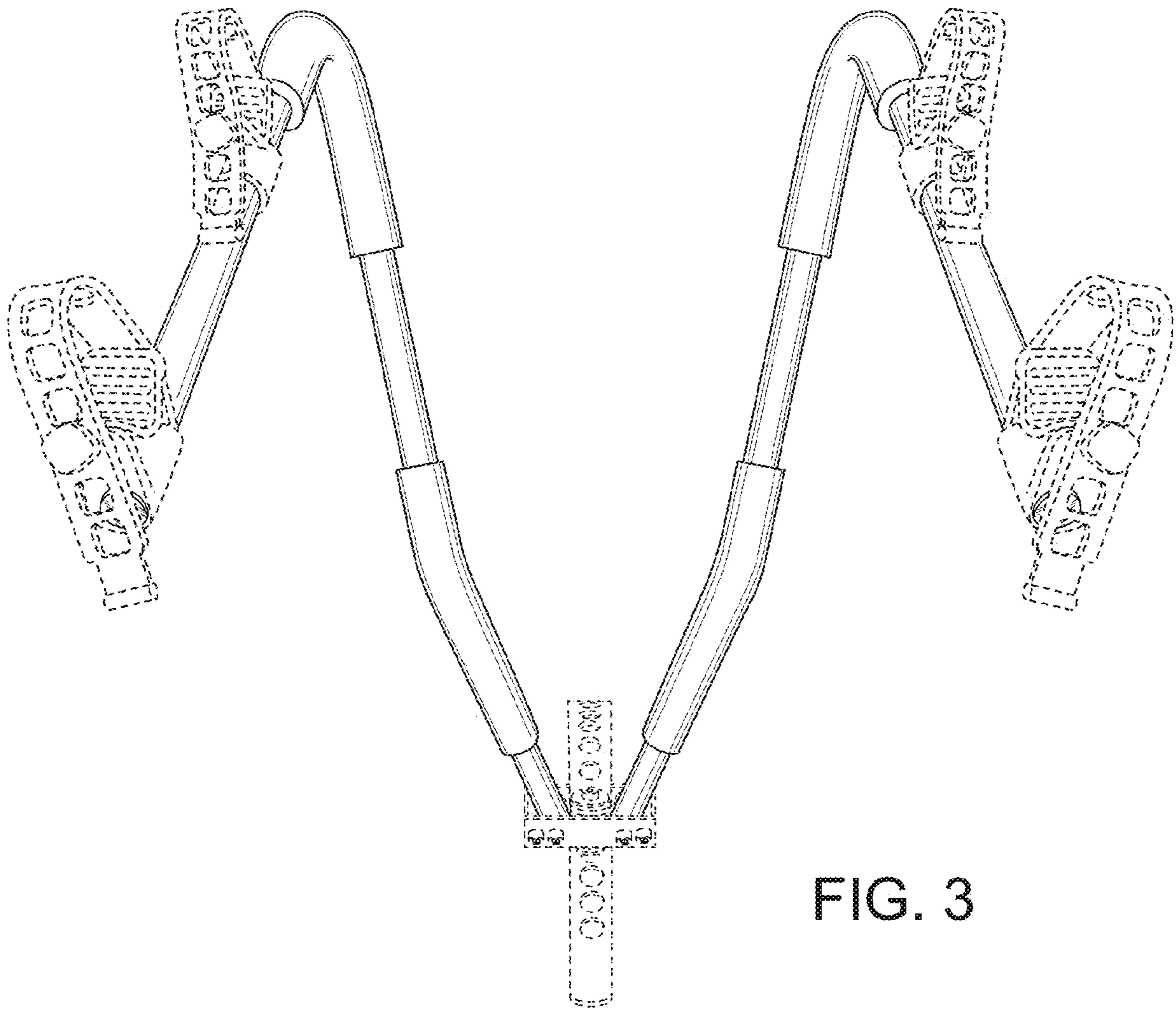


FIG. 3

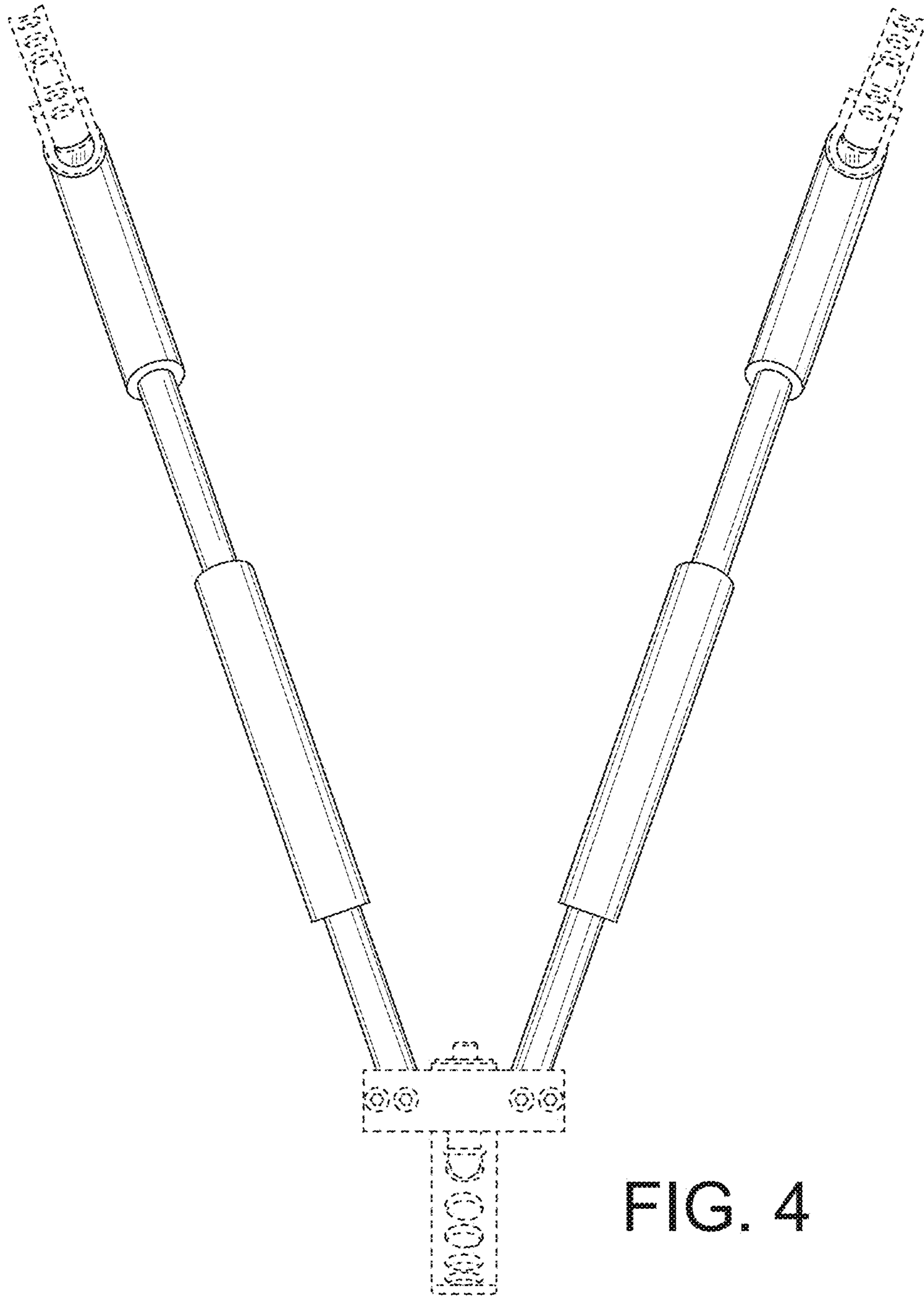


FIG. 4

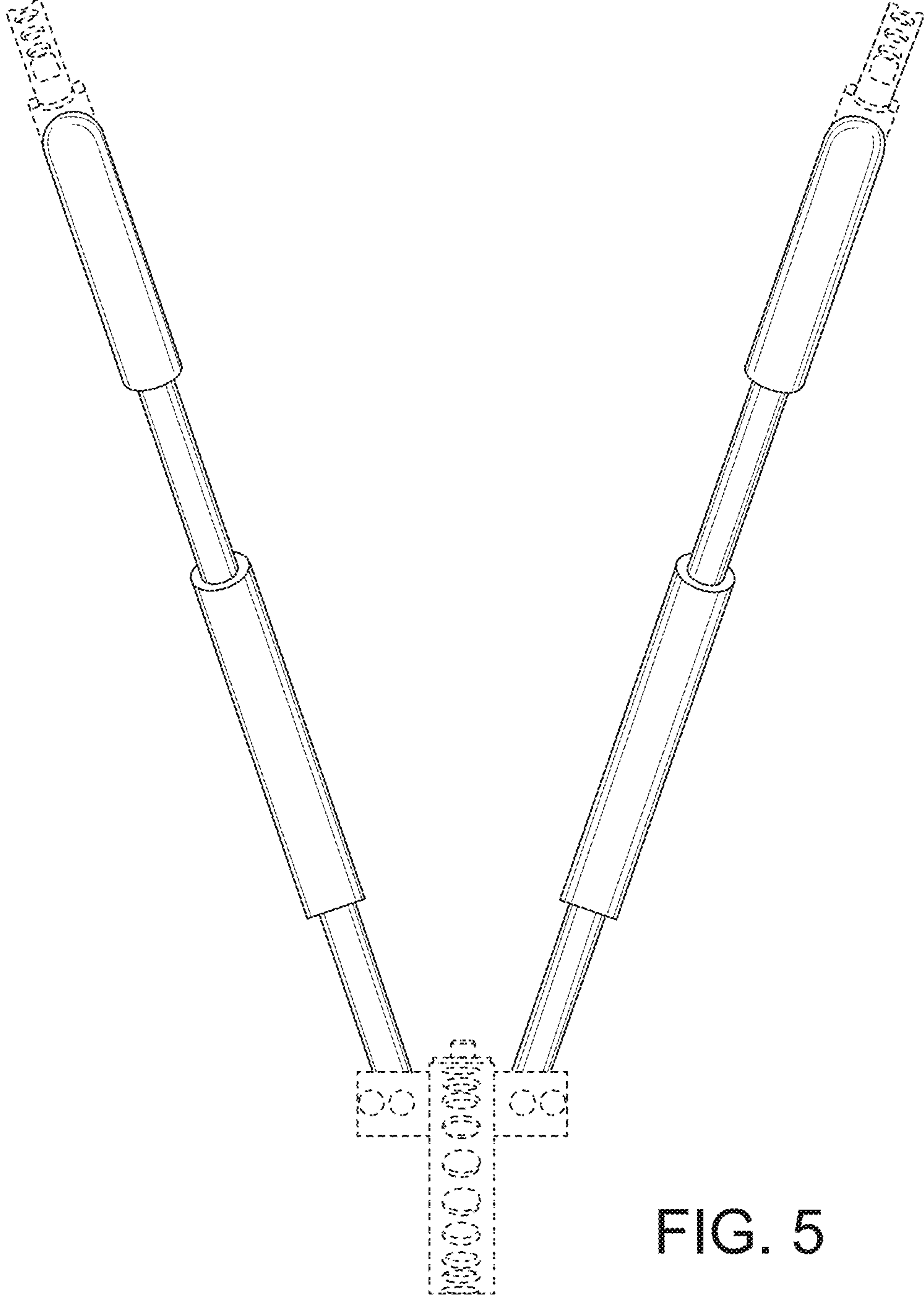


FIG. 5

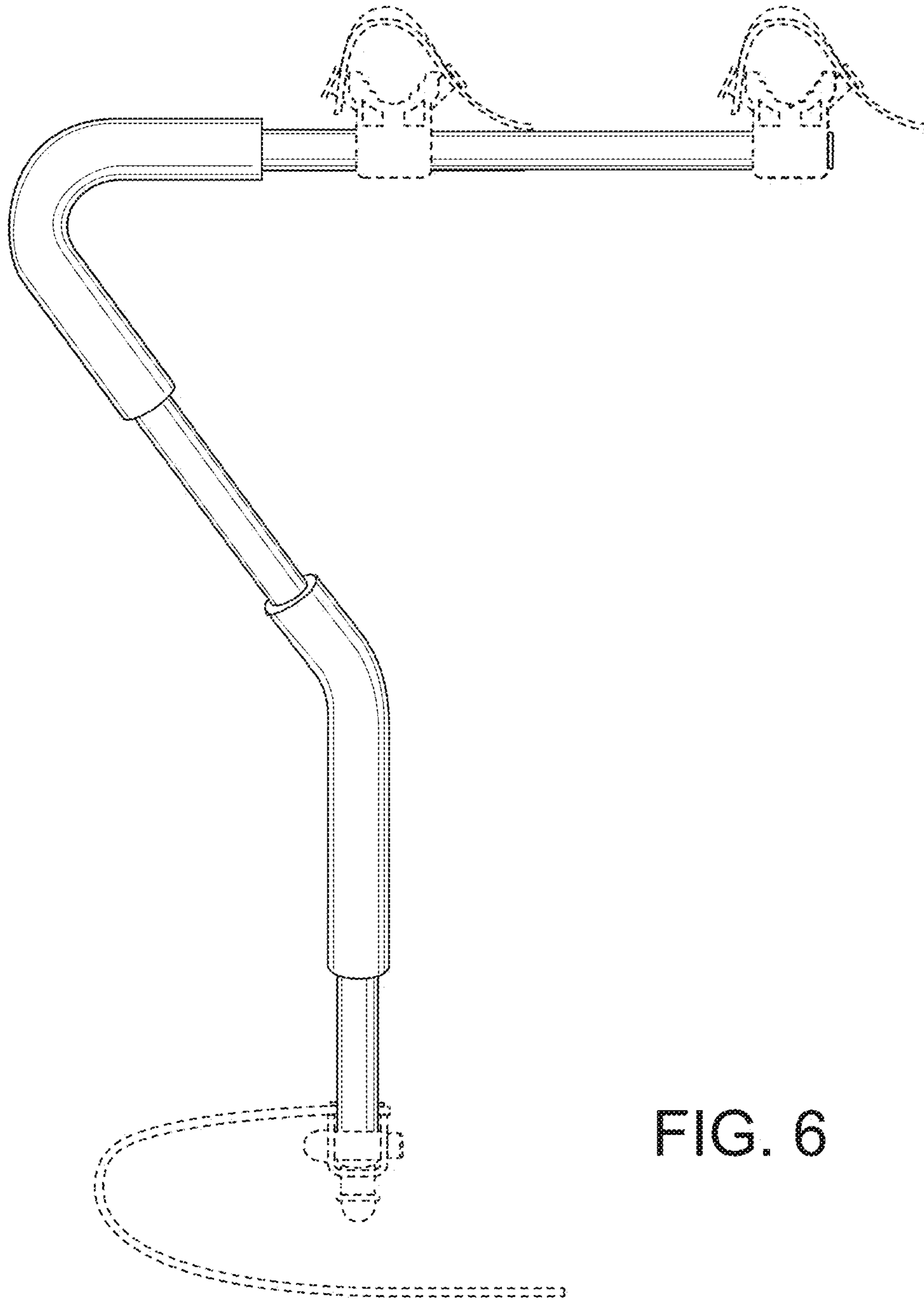


FIG. 6

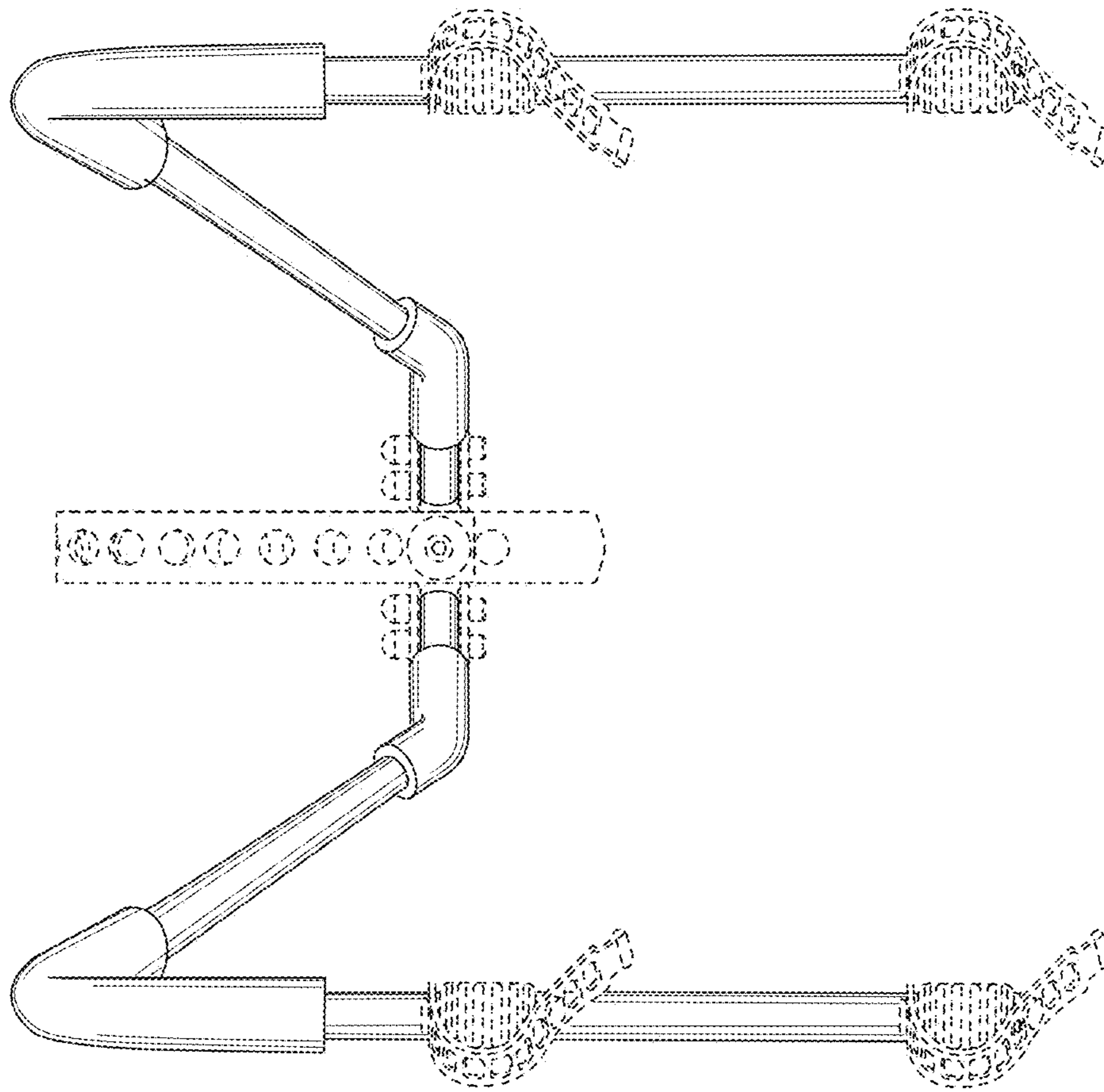


FIG. 7

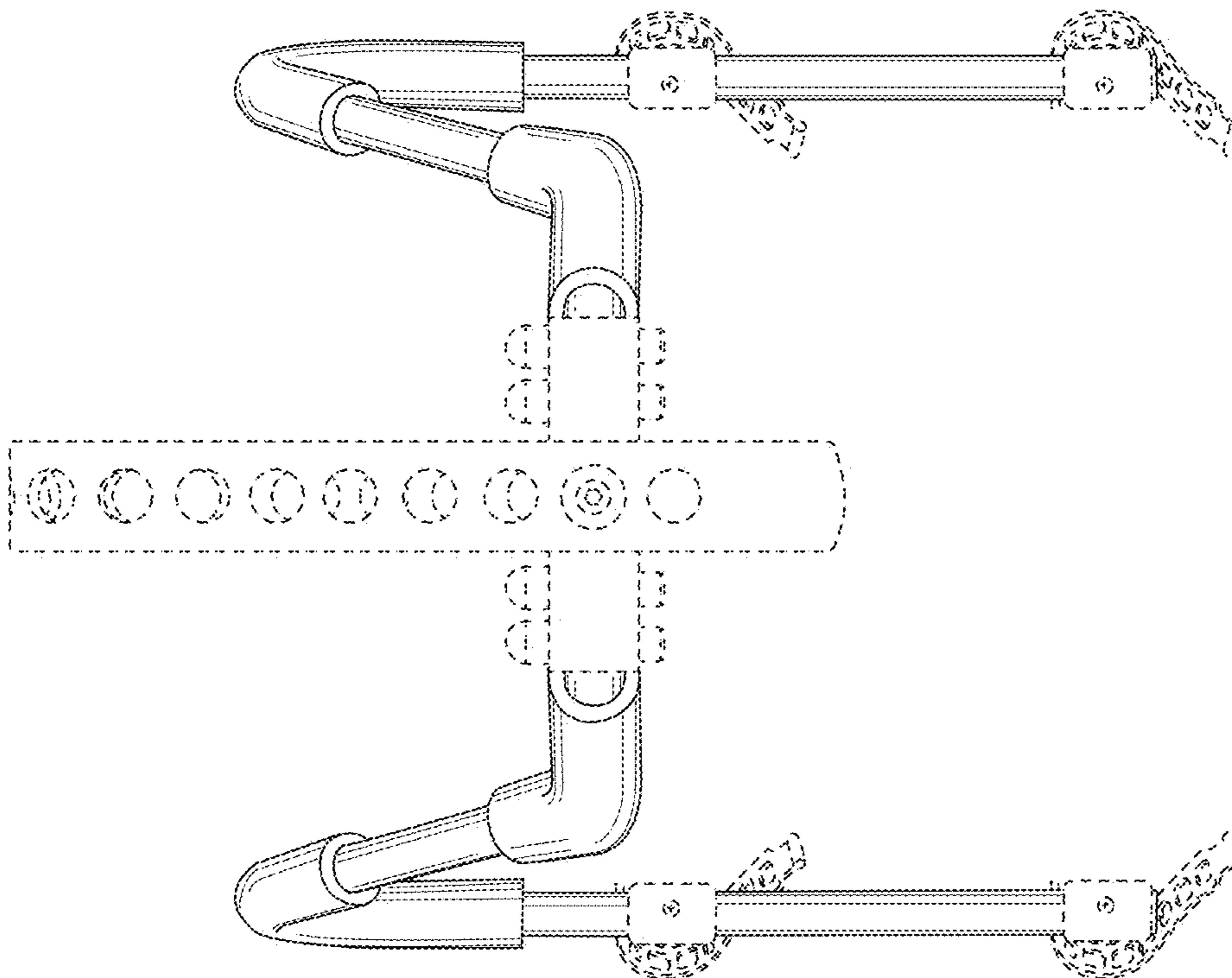


FIG. 8

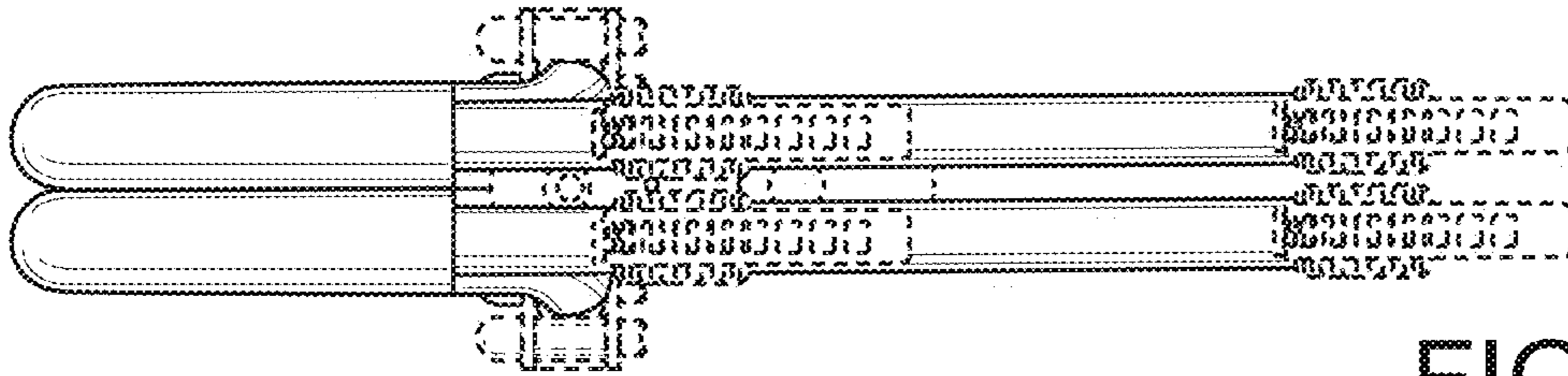


FIG. 11

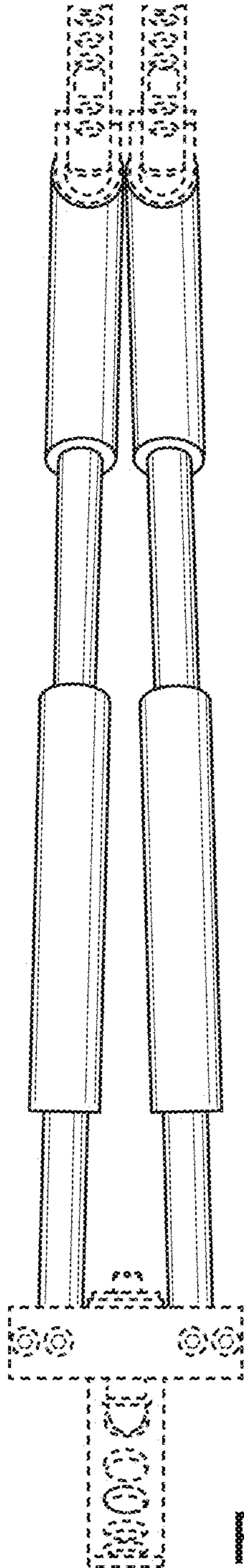


FIG. 9

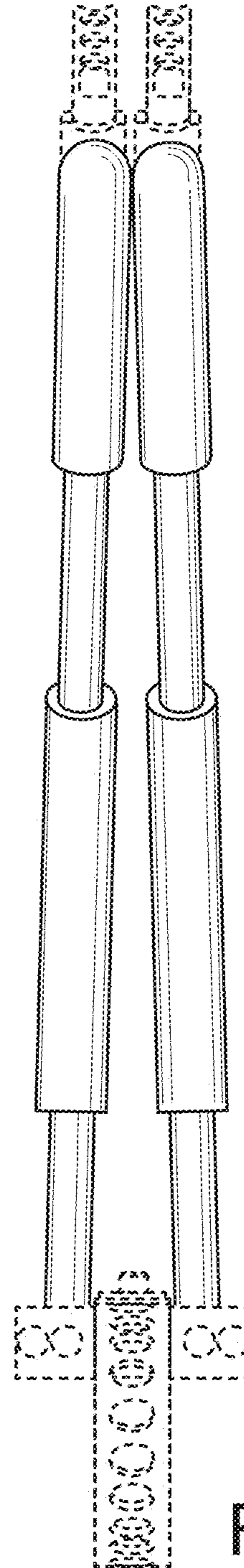


FIG. 10

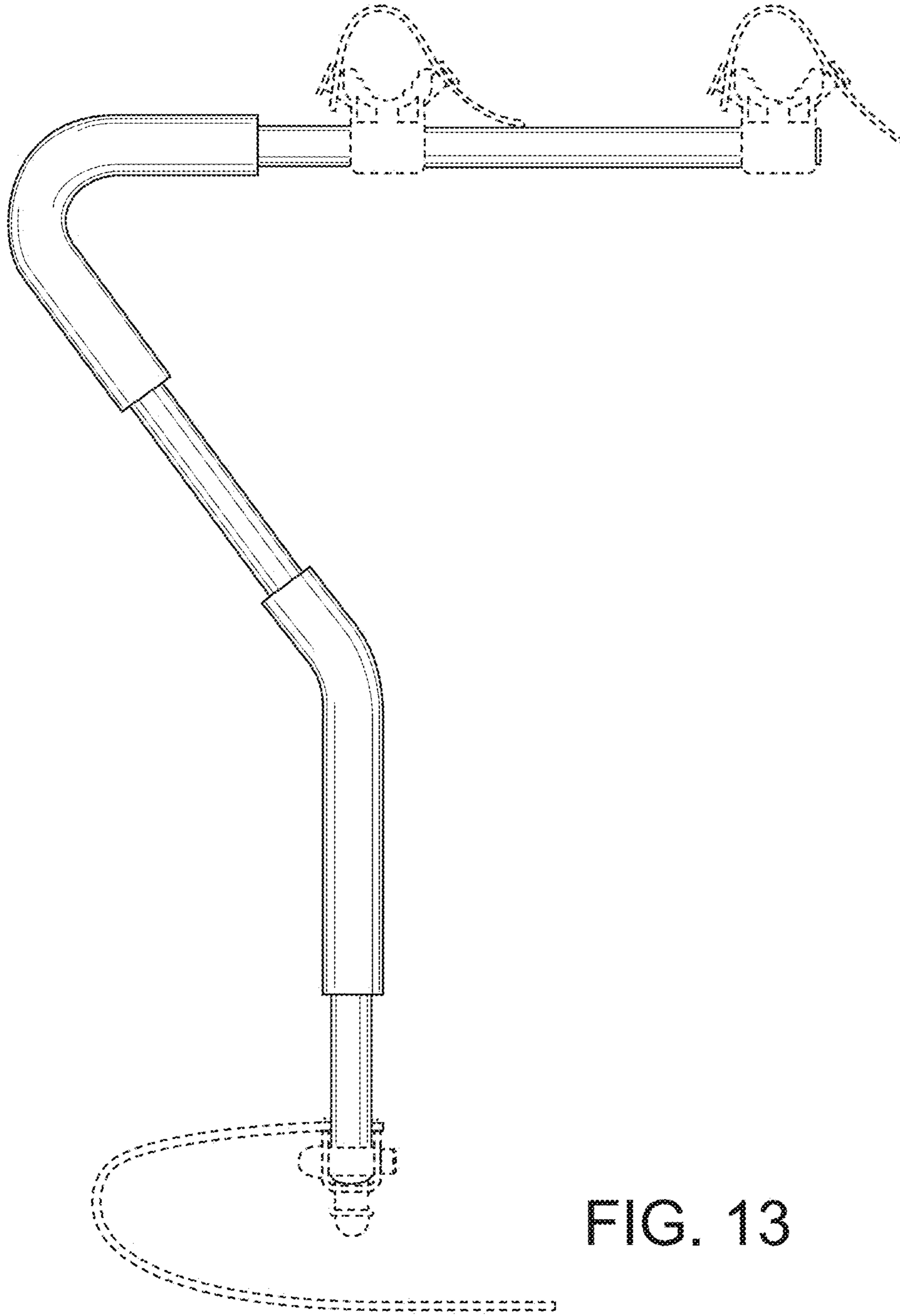


FIG. 13

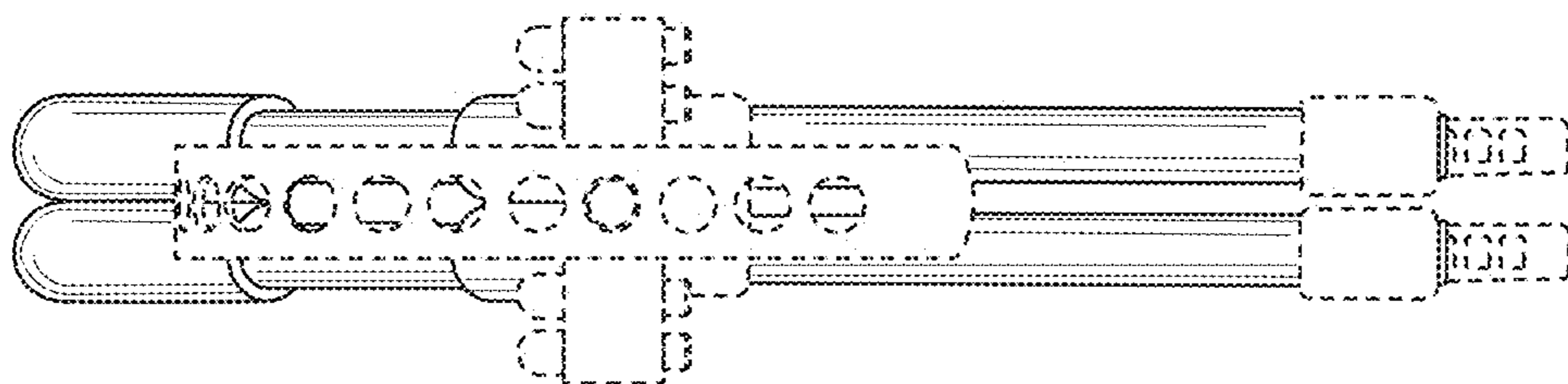


FIG. 12