



US00D933576S

(12) **United States Design Patent** (10) **Patent No.:** **US D933,576 S**  
**Ajam** (45) **Date of Patent:** **\*\* Oct. 19, 2021**

(54) **ROLL BAR**  
(71) Applicant: **Black Horse Off Road of GA, Inc.**,  
Royston, GA (US)  
(72) Inventor: **Fadi Ajam**, Forest Hills, NY (US)  
(73) Assignee: **Black Horse Off Road of GA, Inc.**,  
Royston, GA (US)  
(\*\*) Term: **15 Years**  
(21) Appl. No.: **29/730,185**  
(22) Filed: **Apr. 2, 2020**  
(51) **LOC (13) Cl.** ..... **12-16**  
(52) **U.S. Cl.**  
USPC ..... **D12/222**  
(58) **Field of Classification Search**  
USPC ..... D12/222, 223, 86, 400, 401, 404, 406,  
D12/412, 414, 93, 101; D6/552; D26/31  
CPC ..... B60R 21/13; B60J 7/068  
See application file for complete search history.

(56) **References Cited**  
U.S. PATENT DOCUMENTS  
D245,496 S \* 8/1977 Wheeler ..... D12/222  
D257,673 S \* 12/1980 Milton ..... D12/222  
6,883,848 B1 \* 4/2005 Iverson ..... B62D 33/044  
280/756  
D528,964 S \* 9/2006 Storer ..... D12/222  
D528,968 S \* 9/2006 Storer ..... D12/222  
D717,230 S \* 11/2014 Fichter ..... D12/414

D763,170 S \* 8/2016 Marankie ..... D12/414  
D845,869 S \* 4/2019 Wymore ..... D12/222  
D861,575 S \* 10/2019 Tang ..... D12/406  
D881,785 S \* 4/2020 Ajam ..... D12/222  
D883,176 S \* 5/2020 Ajam ..... D12/222  
D892,024 S \* 8/2020 Li ..... D12/222  
D920,883 S \* 6/2021 Yung ..... D12/222  
2018/0072244 A1 \* 3/2018 Wymore ..... B60R 21/13  
2018/0111565 A1 \* 4/2018 Wymore ..... B60J 7/068  
2019/0291673 A1 \* 9/2019 Ajam ..... B60R 21/13

\* cited by examiner

*Primary Examiner* — Susan E Krakower  
*Assistant Examiner* — Jerry Shiuan-Hua Hsu  
(74) *Attorney, Agent, or Firm* — Tatonetti IP

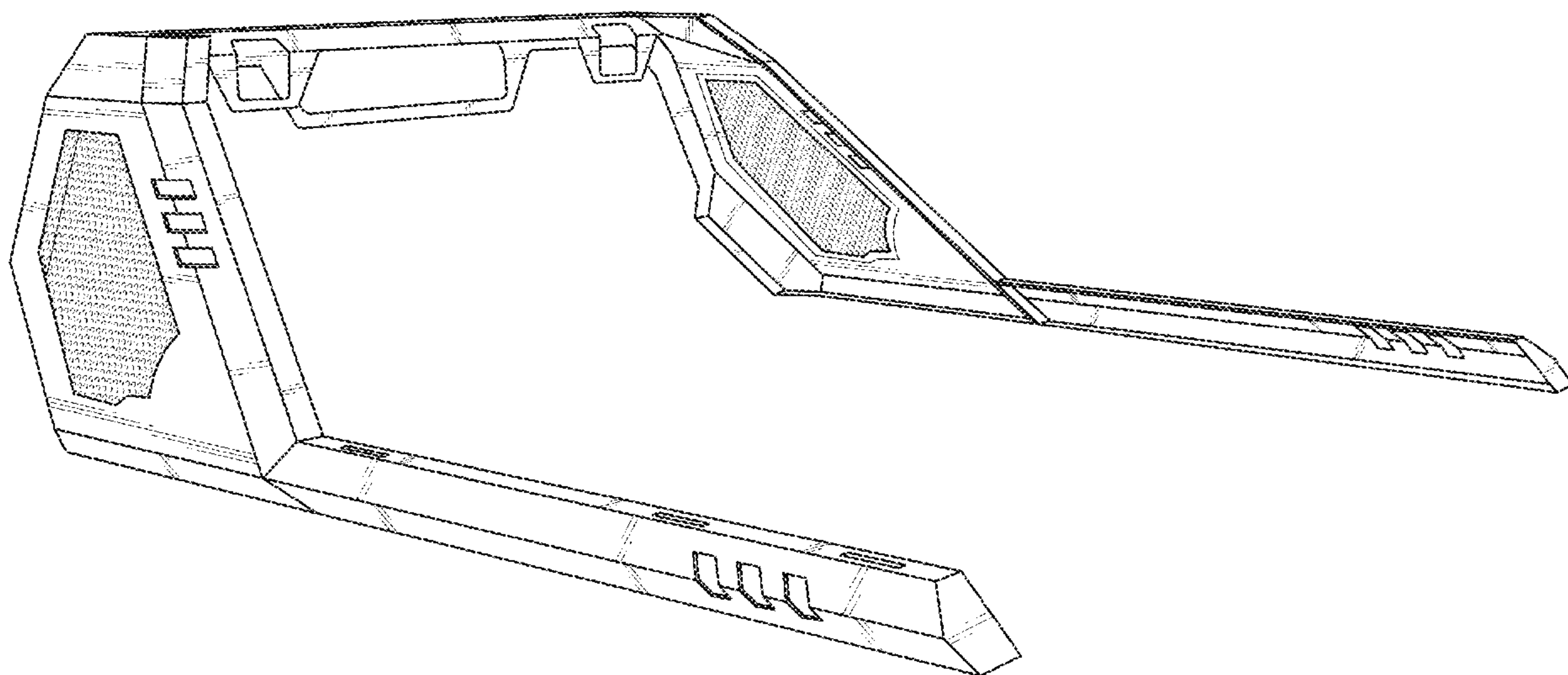
(57) **CLAIM**

I claim the ornamental design for a roll bar, as shown and described.

**DESCRIPTION**

FIG. 1 is a top, rear, right perspective view of a roll bar, showing my new design;  
FIG. 2 is a rear elevation view thereof;  
FIG. 3 is a front elevation view thereof;  
FIG. 4 is a right side view thereof, the left side view being a mirror image of the right side view;  
FIG. 5 is a top plan view thereof;  
FIG. 6 is a bottom plan view thereof; and,  
FIG. 7 is a rear, right perspective view thereof, shown in a state of use.  
Broken lines, showing a vehicle in FIG. 7, illustrate environmental structure that forms no part of the claimed design.

**1 Claim, 7 Drawing Sheets**



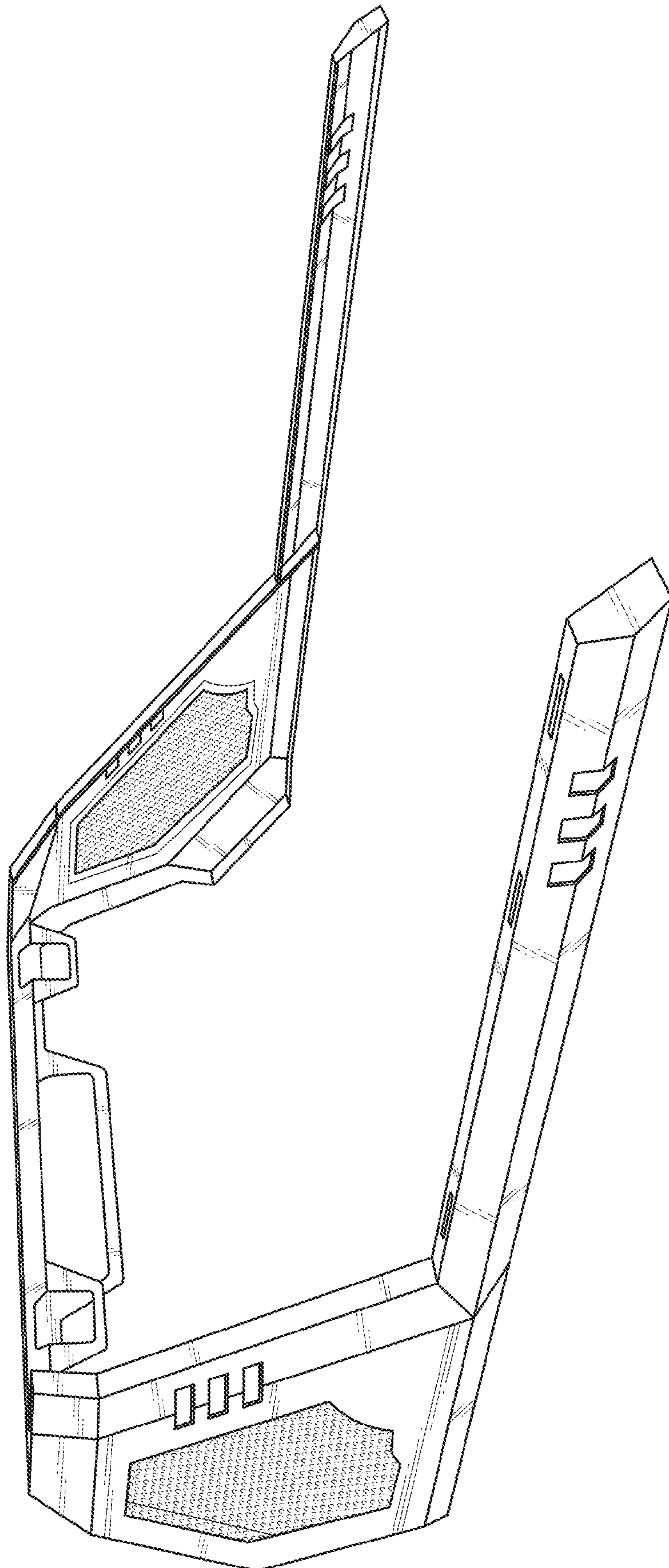


FIG. 1

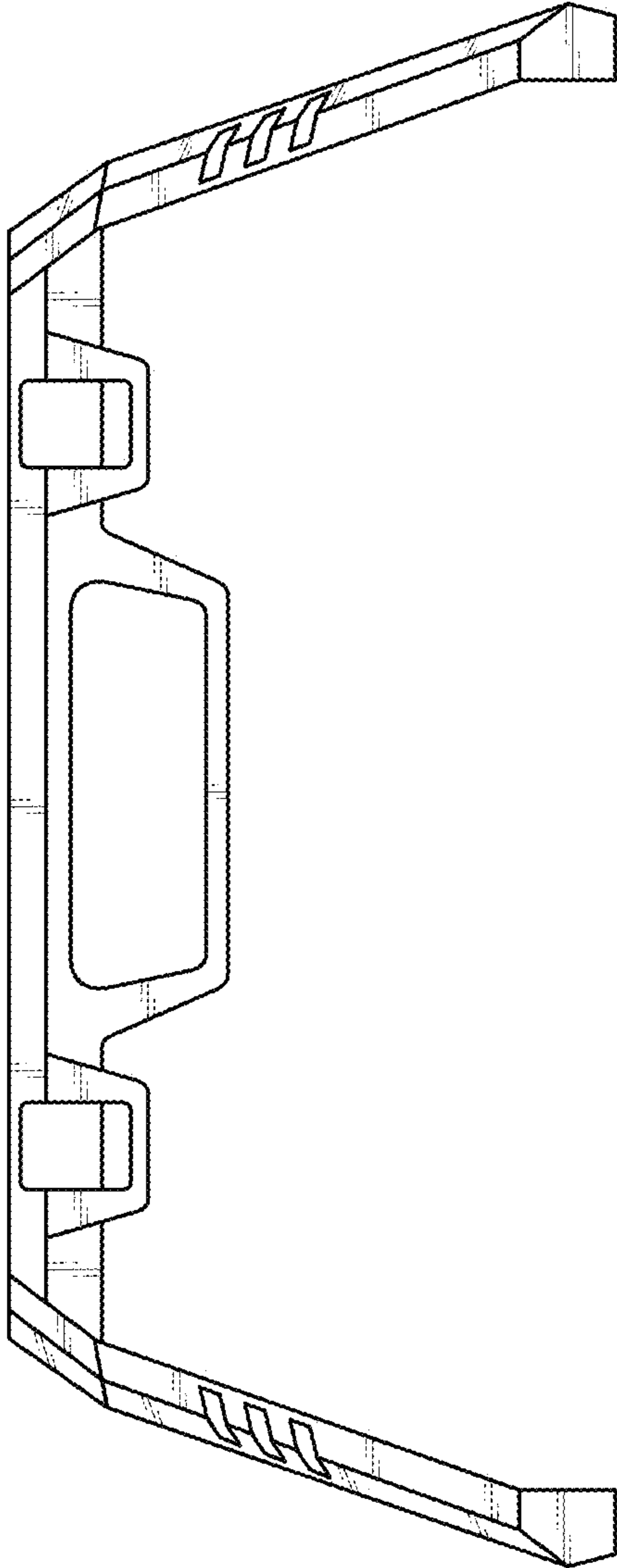


FIG. 2

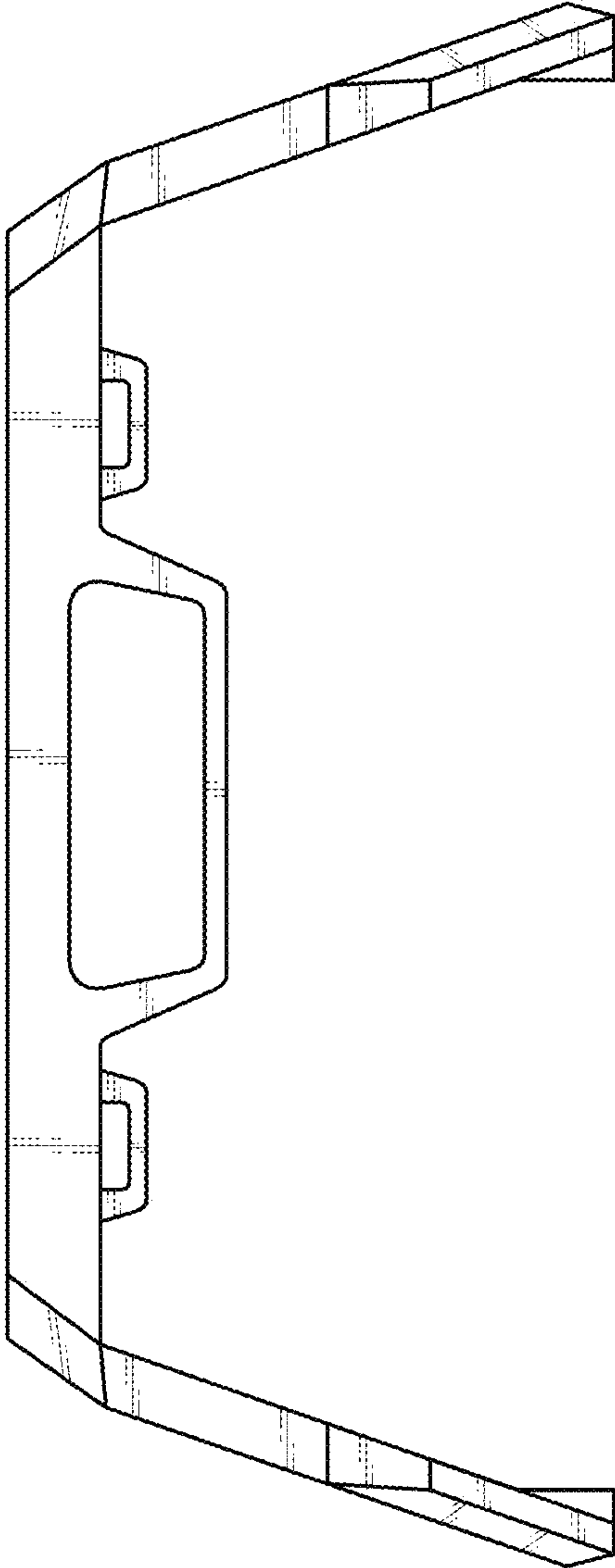


FIG. 3

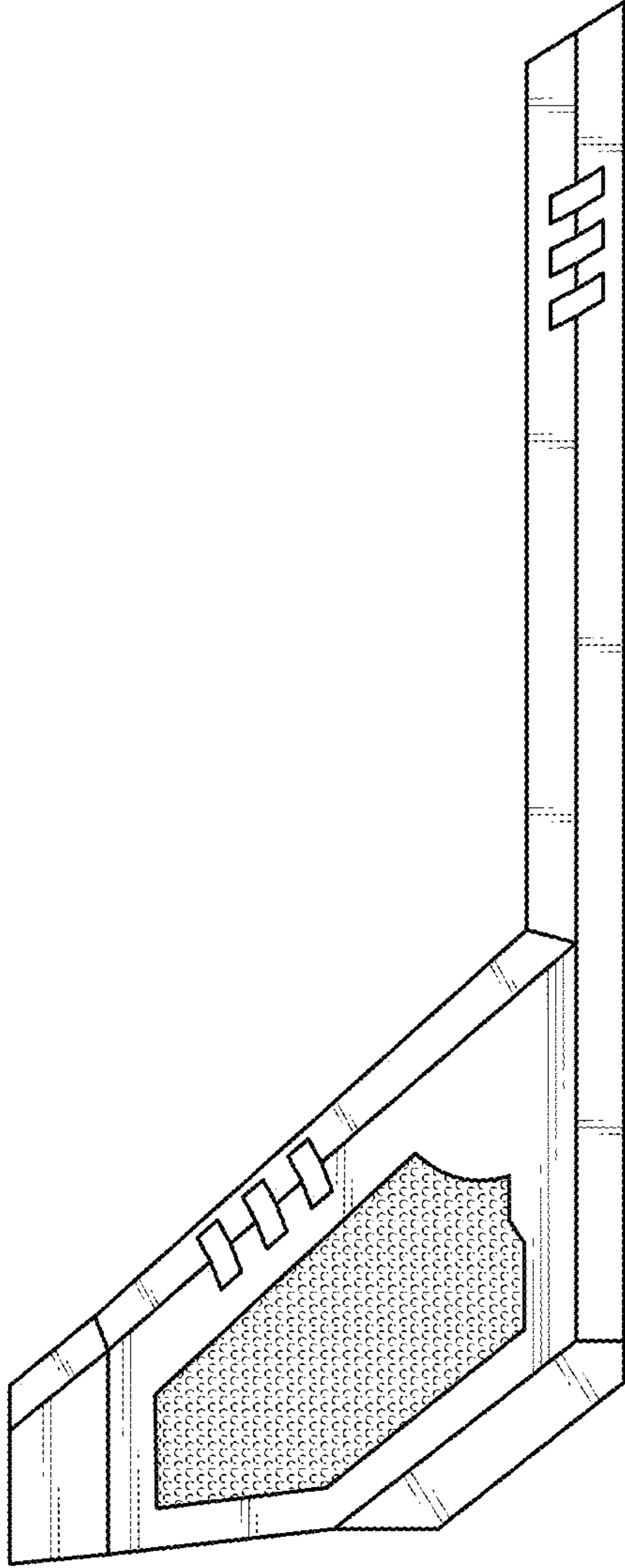


FIG. 4



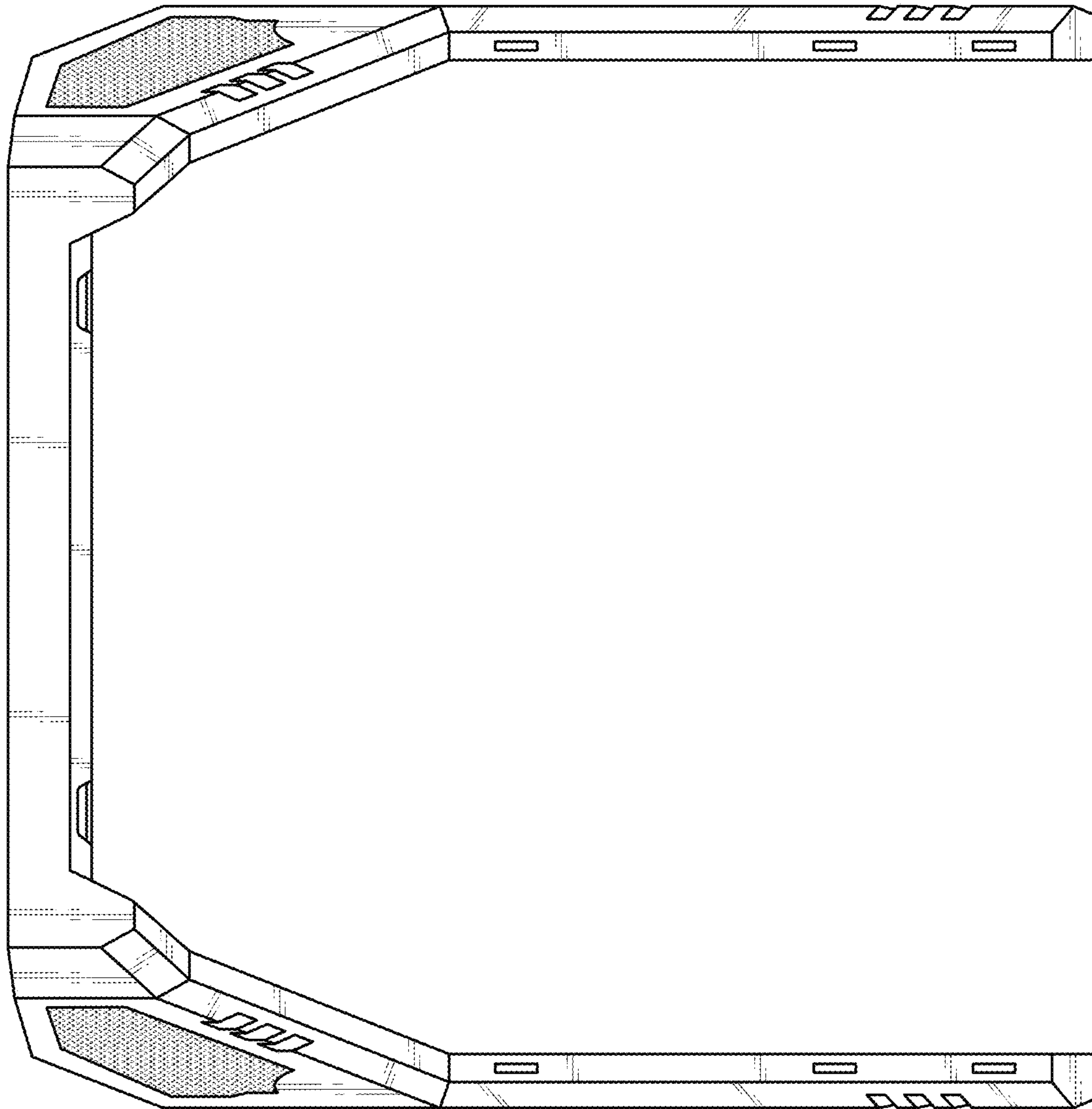


FIG. 5

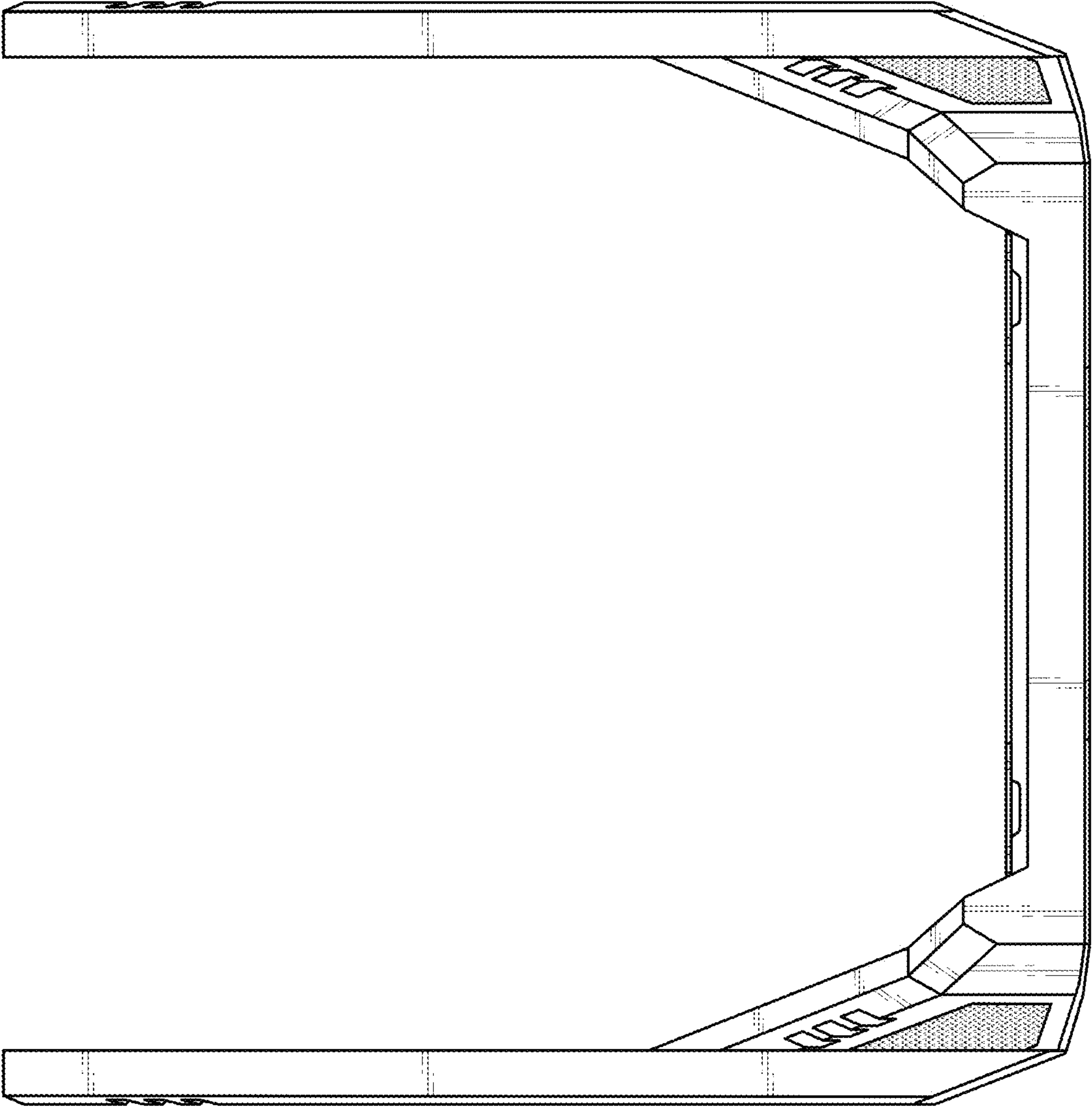


FIG. 6

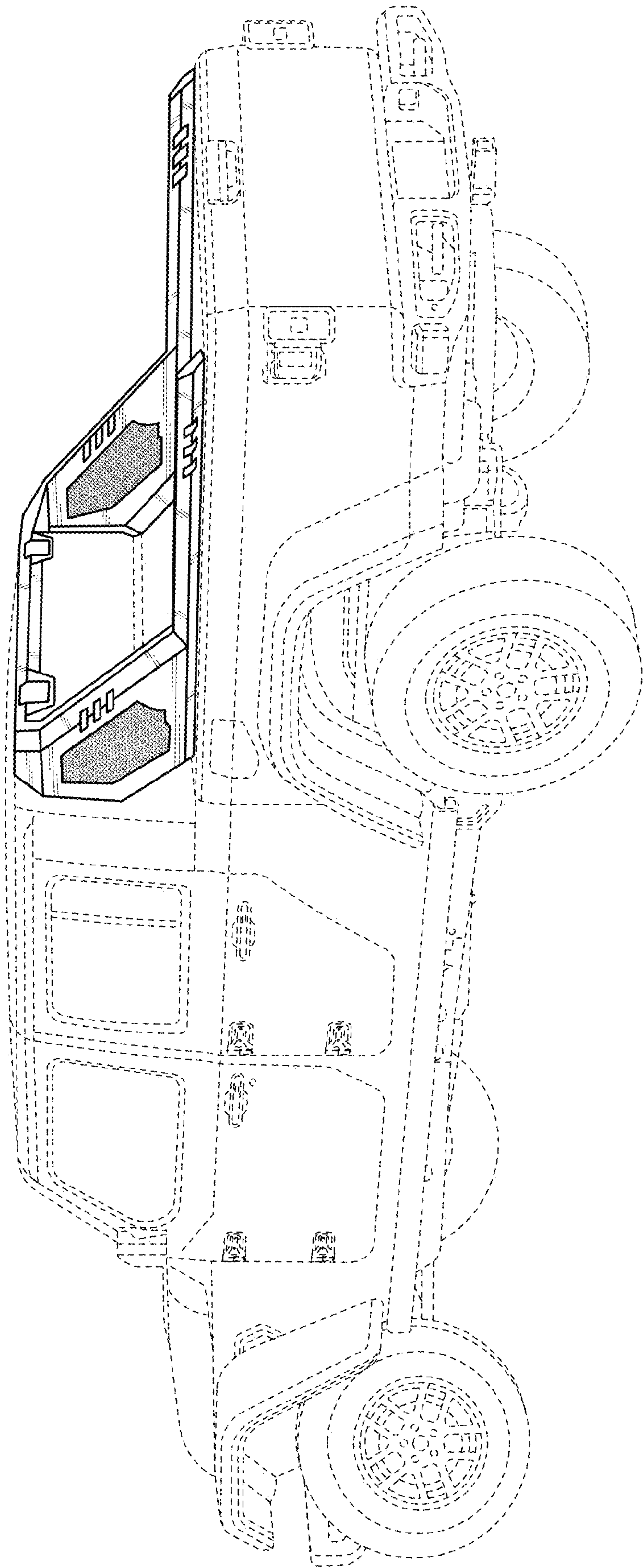


FIG. 7