



US00D933574S

(12) **United States Design Patent** (10) **Patent No.:** **US D933,574 S**  
**Taillard** (45) **Date of Patent:** **\*\* Oct. 19, 2021**

(54) **WINDSHIELD WIPER**  
(71) Applicants: **Trico Belgium SA**, Aubange (BE);  
**Volkswagen AG**, Wolfsburg (DE)  
(72) Inventor: **Arthur Taillard**, Aubange (BE)  
(73) Assignees: **Trico Belgium SA**, Aubange (BE);  
**Volkswagen AG**, Wolfsburg (DE)  
(\*\*) Term: **15 Years**  
(21) Appl. No.: **29/697,511**  
(22) Filed: **Jul. 9, 2019**  
(51) **LOC (13) Cl.** ..... **12-16**  
(52) **U.S. Cl.**  
USPC ..... **D12/219; D12/220**  
(58) **Field of Classification Search**  
USPC ..... **D12/219-220; 15/250.31-250.33,**  
**15/250.351, 250.38, 250.4, 250.41,**  
**15/250.201, 250.451-250.454**  
CPC ..... **B60S 2001/3815; B60S 1/4003; B60S**  
**1/3801**  
See application file for complete search history.

7,992,249 B2 \* 8/2011 Stahlhut ..... B60S 1/3436  
15/250.352  
7,996,952 B2 \* 8/2011 Horstman ..... B60S 1/3431  
15/250.352  
8,042,219 B2 \* 10/2011 Stahlhut ..... B60S 1/3452  
15/250.352

(Continued)

**FOREIGN PATENT DOCUMENTS**

EP 1795406 6/2007  
WO 2010/017861 2/2010

**OTHER PUBLICATIONS**

Auto Rear Window Windshield Wiper Arm Replacement for X5, Walmart.com, [online], [site visited Sep. 21, 2020], <URL: https://www.walmart.com/ip/Auto-Rear-Window-Windshield-Wiper-Arm-Replacement-for-X5/47594929> (Year: 2020).\*

(Continued)

*Primary Examiner* — T Chase Nelson  
*Assistant Examiner* — Jonathan J Han  
(74) *Attorney, Agent, or Firm* — Miller Canfield

(57) **CLAIM**

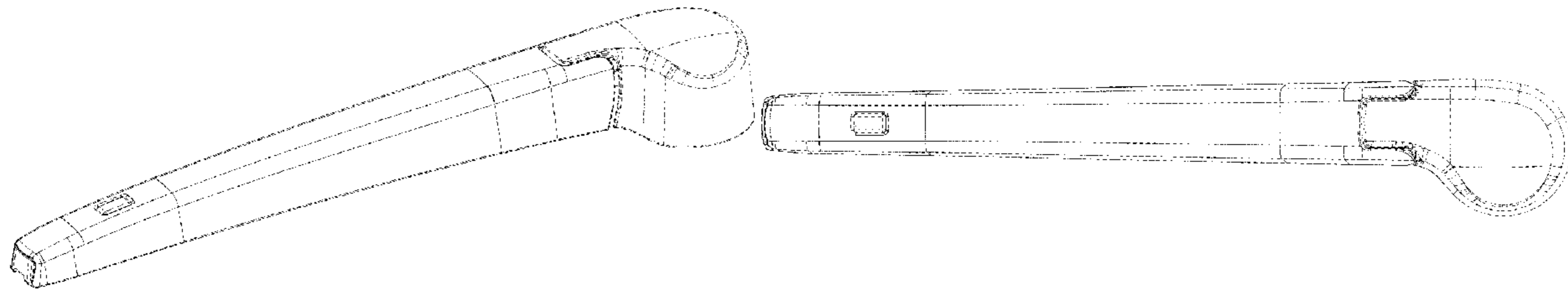
The ornamental design for a windshield wiper, as shown and described.

**DESCRIPTION**

FIG. 1 is a top perspective view of the windshield wiper of the present invention;  
FIG. 2 is a top view thereof;  
FIG. 3 is a bottom view thereof;  
FIG. 4 is a bottom perspective view thereof;  
FIG. 5 is end view thereof;  
FIG. 6 is a view of the opposite end thereof;  
FIG. 7 is a left side view thereof; and,  
FIG. 8 is a right side view thereof.  
The broken lines in the drawings are included for the purposes of illustrating portions of the wiper blade which form no part of the claimed invention.

**1 Claim, 8 Drawing Sheets**

(56) **References Cited**  
**U.S. PATENT DOCUMENTS**  
3,263,261 A \* 8/1966 Schulz ..... B60S 1/32  
15/257.01  
D331,556 S \* 12/1992 Ismert ..... D12/219  
D341,115 S \* 11/1993 Papania ..... D12/219  
D345,537 S \* 3/1994 Bianco ..... D12/220  
6,070,287 A \* 6/2000 Kornegay ..... B60S 1/38  
15/247  
D430,097 S \* 8/2000 Breesch ..... D12/219  
D445,754 S \* 7/2001 Benoit ..... D12/219  
D512,362 S \* 12/2005 Breesch ..... D12/219  
D538,218 S \* 3/2007 Elwell ..... D12/220  
D597,016 S \* 7/2009 Bousset ..... D12/219



(56)

References Cited

U.S. PATENT DOCUMENTS

8,051,526 B2 \* 11/2011 Summerville ..... B60S 1/3479  
15/250.351  
8,453,292 B2 \* 6/2013 Jeon ..... B60S 1/4041  
15/250.32  
9,896,064 B2 \* 2/2018 Boland ..... B60S 1/345  
10,093,279 B2 \* 10/2018 Scholl ..... B60S 1/524  
10,232,825 B2 \* 3/2019 Ouchi ..... B60S 1/3481  
D858,418 S \* 9/2019 Tomasson ..... D12/219  
2009/0064441 A1 \* 3/2009 Masuda ..... B60S 1/3429  
15/250.201  
2009/0064442 A1 \* 3/2009 Masuda ..... B60S 1/3447  
15/250.351  
2014/0026346 A1 \* 1/2014 Scholl ..... B60S 1/524  
15/250.32  
2014/0101884 A1 \* 4/2014 Balitzkat ..... B60S 1/381  
15/250.201  
2014/0182076 A1 \* 7/2014 Moll ..... B60S 1/345  
15/250.351  
2014/0338143 A1 11/2014 Bousset et al.  
2015/0020339 A1 \* 1/2015 Uchiyama ..... B60S 1/3856  
15/250.32

2016/0144830 A1 \* 5/2016 Coos ..... B60S 1/3484  
15/250.23  
2016/0272156 A1 \* 9/2016 Ouchi ..... B60S 1/3481  
2017/0050620 A1 \* 2/2017 Friscioni ..... B60S 1/524  
2017/0197594 A1 \* 7/2017 Deng ..... B60S 1/522  
2017/0225661 A1 \* 8/2017 Shimoyama ..... B60S 1/40  
2017/0267216 A1 \* 9/2017 Bayard ..... H05B 1/0236  
2018/0086313 A1 \* 3/2018 Houssat ..... B60S 1/4009  
2018/0222447 A1 \* 8/2018 Shimizu ..... B60S 1/3801  
2019/0009750 A1 \* 1/2019 Kose ..... B60S 1/40  
2019/0039573 A1 \* 2/2019 Boland ..... B60S 1/3429  
2019/0054900 A1 \* 2/2019 Taillard ..... B60S 1/3427  
2019/0118777 A1 \* 4/2019 Poton ..... B60S 1/4048  
2019/0118779 A1 \* 4/2019 Poton ..... B60S 1/4048  
2019/0176766 A1 \* 6/2019 Taillard ..... B60S 1/3427

OTHER PUBLICATIONS

DORMAN 42929 Windshield Wiper Arm, Amazon.com, Date First Available: Nov. 6, 2013, [online], [site visited Sep. 21, 2020], <URL: <https://www.amazon.com/DORMAN-42929-Windshield-Wiper-Arm/dp/B00GHSJSFW>> (Year: 2013).\*

\* cited by examiner

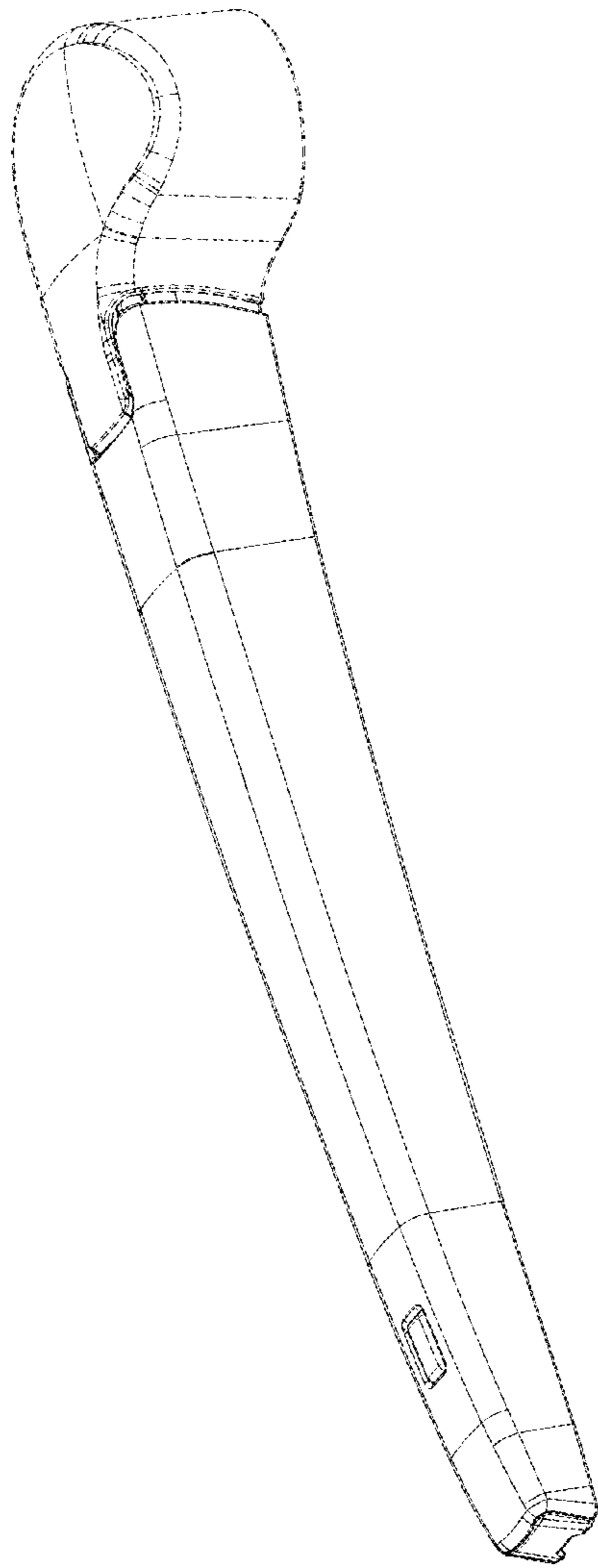


FIG 1

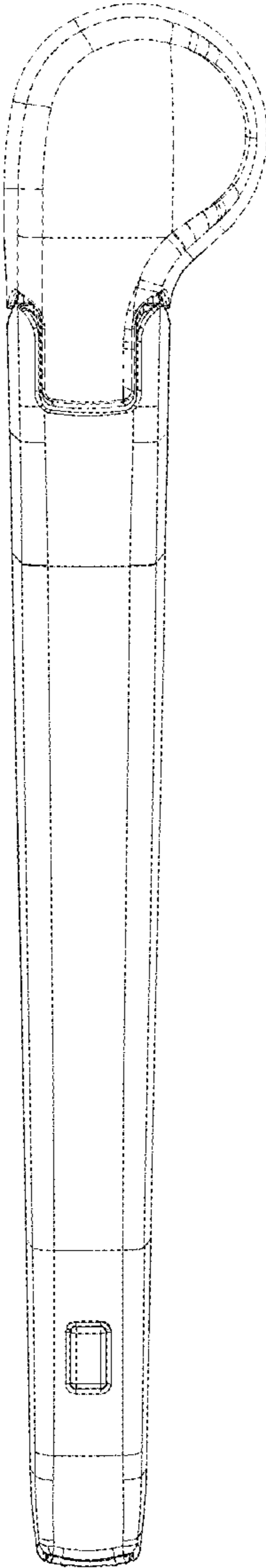


FIG 2

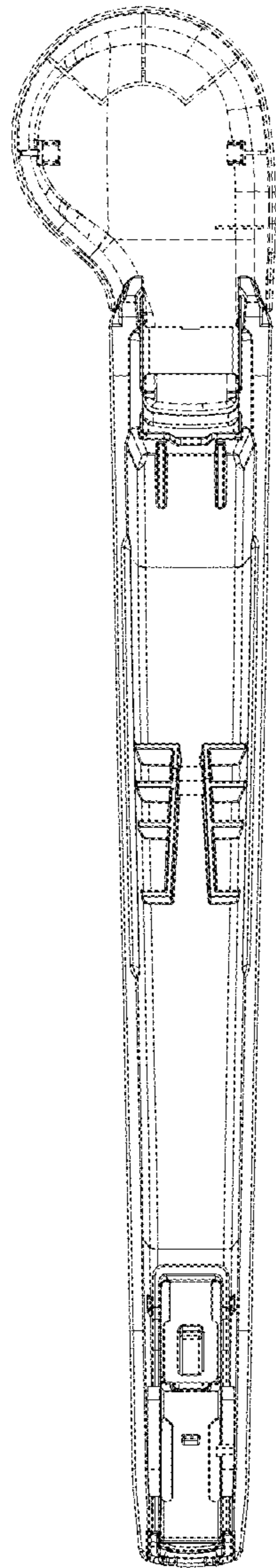


FIG 3

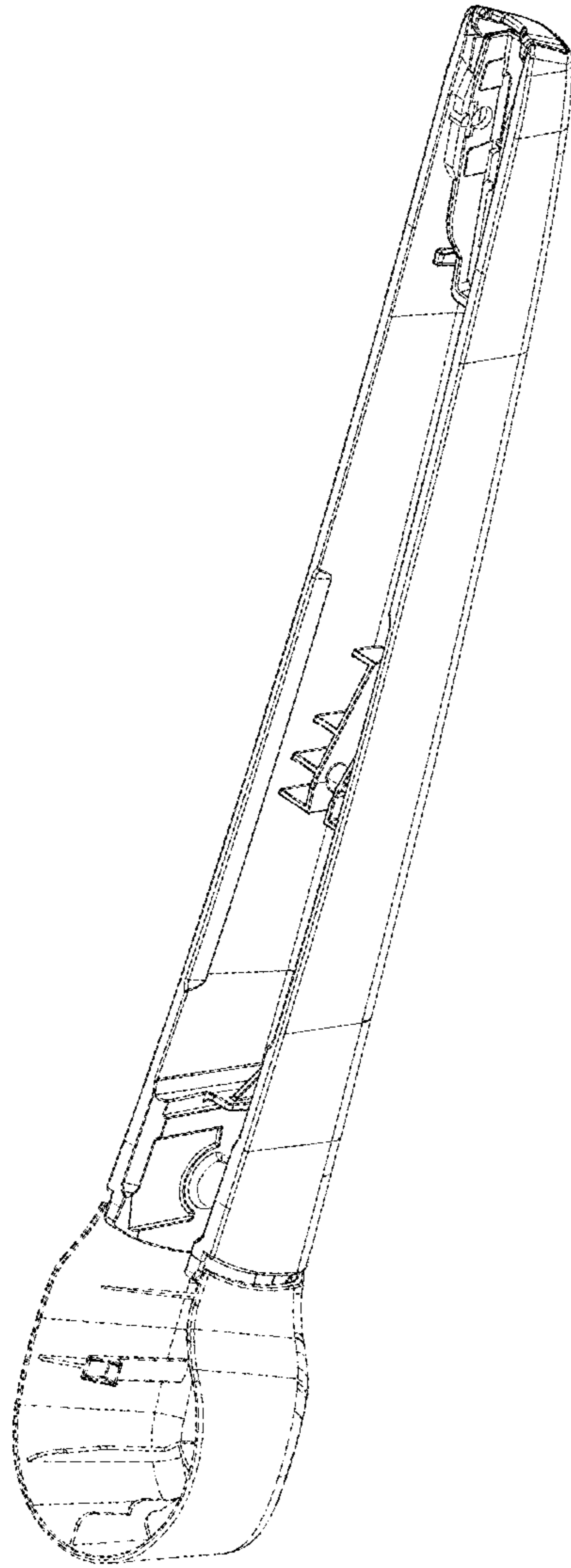


FIG 4



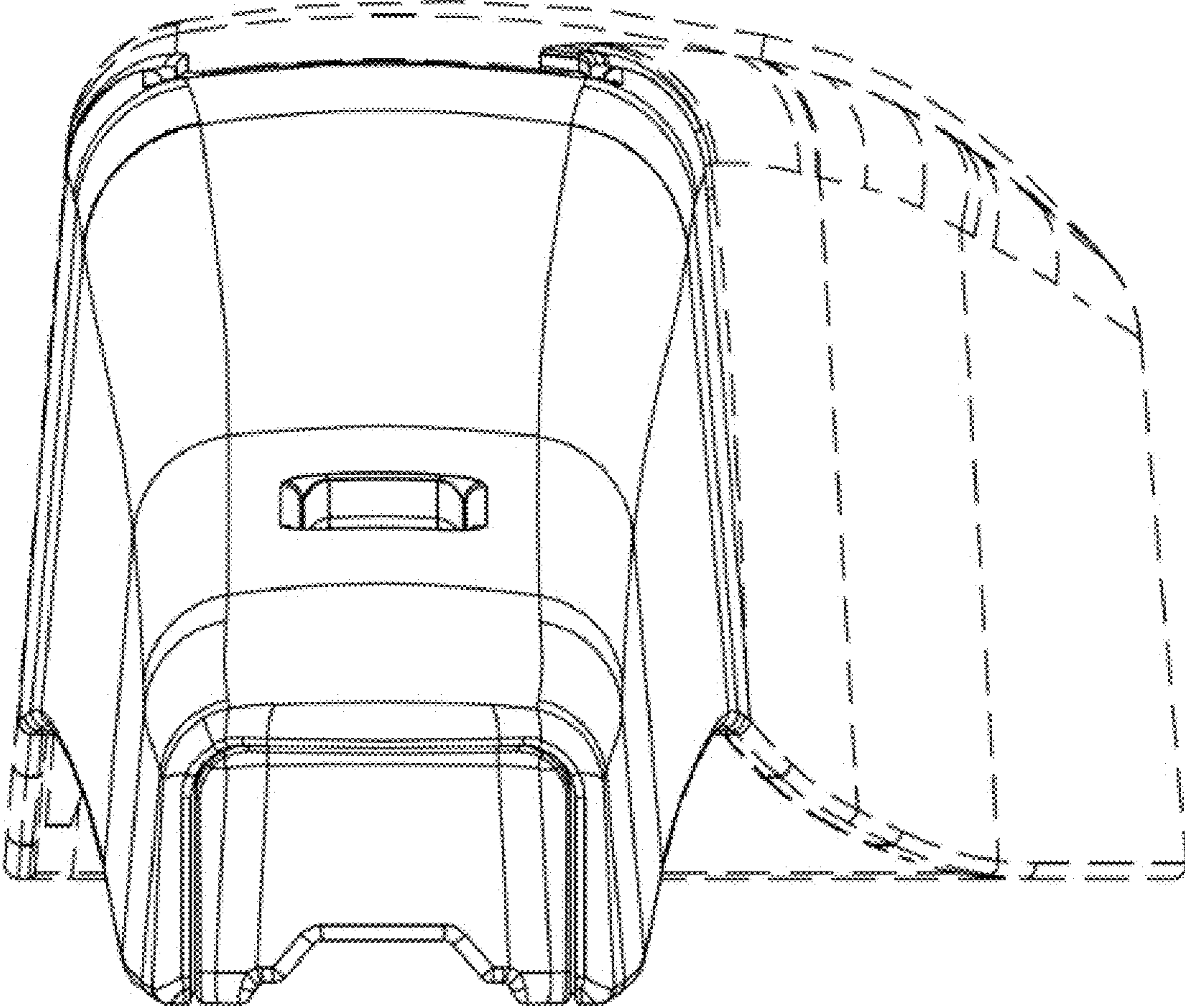


FIG 5

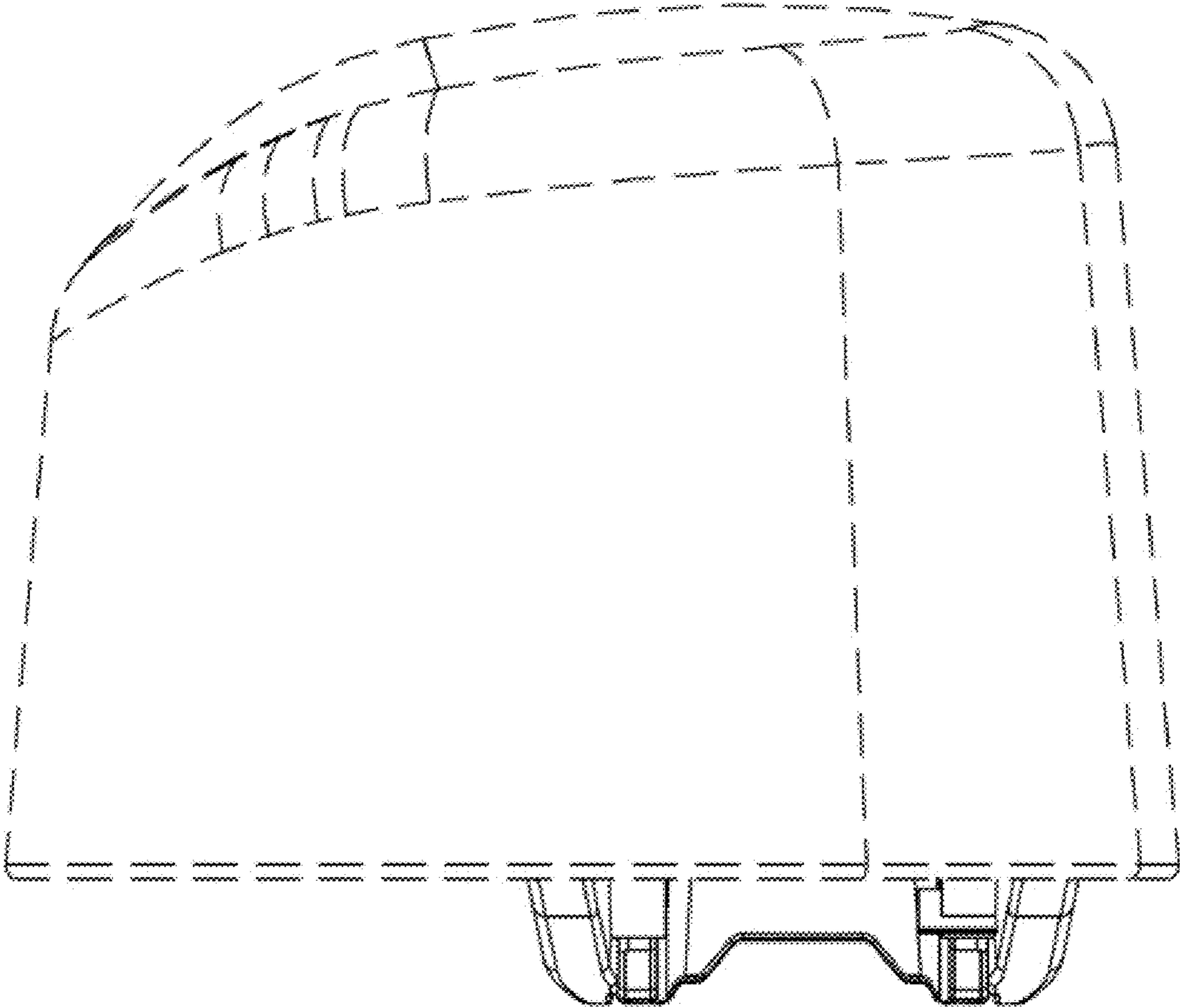


FIG 6



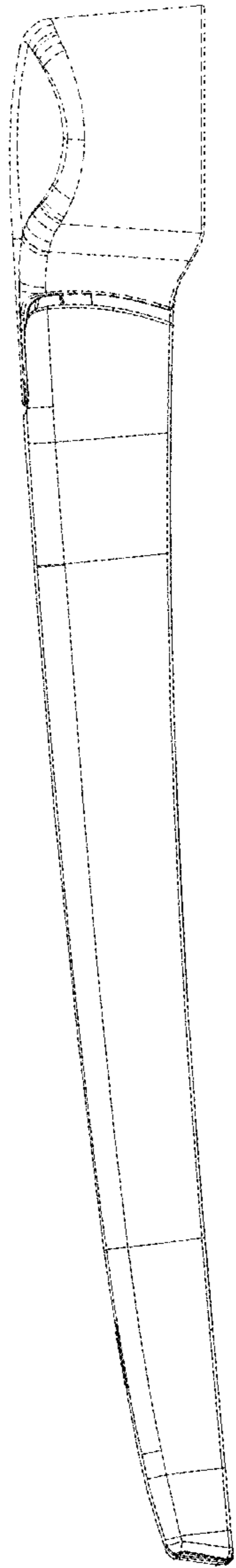


FIG 7

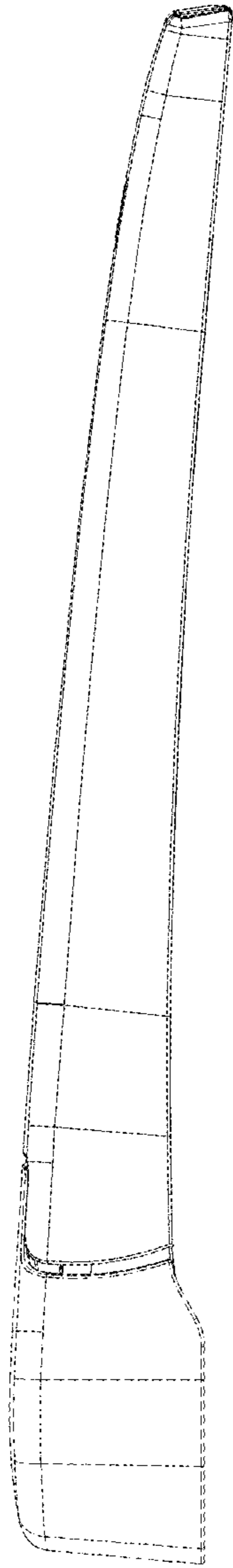


FIG 8