



US00D933573S

(12) **United States Design Patent**
Mahajan et al.

(10) **Patent No.:** **US D933,573 S**

(45) **Date of Patent:** **** Oct. 19, 2021**

(54) **FLUID TANK**

(71) Applicant: **PACCAR Inc**, Bellevue, WA (US)

(72) Inventors: **Vaibhav Pradip Mahajan**, Kirkland, WA (US); **Mike B. Adams**, Seattle, WA (US)

(73) Assignee: **PACCAR Inc**, Bellevue, WA (US)

(**) Term: **15 Years**

(21) Appl. No.: **29/729,972**

(22) Filed: **Mar. 31, 2020**

(51) **LOC (13) Cl.** **12-16**

(52) **U.S. Cl.**
USPC **D12/218**

(58) **Field of Classification Search**
USPC D23/202, 203, 204, 205; D12/218-220;
D15/1-5, 28
CPC B63H 20/00; B63H 20/08; B63H 20/12;
B63H 20/32; B63H 25/00; B63H 25/06;
B63H 25/22; B63H 25/28; B63H 25/30;
B63H 5/00; B63H 5/125; B63H 21/00;
B63H 21/21; B63H 21/22; B60K 15/03;
B60K 15/07; B62J 35/00; B62K 11/00;
B62K 11/04

See application file for complete search history.

(56) **References Cited**

U.S. PATENT DOCUMENTS

D375,288 S	*	11/1996	Tanaka	D12/218
D435,503 S	*	12/2000	Gukeisen	D12/218
D551,153 S	*	9/2007	Oury	D12/218
D604,686 S	*	11/2009	Yan	D12/218
D640,345 S	*	6/2011	Corsello	D23/202
D663,325 S	*	7/2012	Thunstrom	D15/28
D698,826 S	*	2/2014	Hill	D15/5
D698,827 S	*	2/2014	Hill	D15/5
D701,814 S	*	4/2014	Merchant	D12/218
D728,632 S	*	5/2015	Klassen	D15/28
D728,633 S	*	5/2015	Klassen	D15/28

D775,238 S	*	12/2016	Roemer	D15/28
D826,133 S	*	8/2018	Loew	D12/218
10,472,038 B1	*	11/2019	Walgren	B63H 20/002

(Continued)

FOREIGN PATENT DOCUMENTS

CA 2383856 A1 * 10/2002 F01P 11/029

OTHER PUBLICATIONS

Topaz CV6Z-8A080-A Coolant Reservoir Expansion Tank, Sep. 5, 2018, Amazon.com, Jun. 15, 2021, URL: <https://www.amazon.com/CV6Z-8A080-Coolant-Reservoir-Expansion-Transit/dp/B07H3N9QZH> (Year: 2018).*

(Continued)

Primary Examiner — Jack Reickel

Assistant Examiner — Keith J Wilson

(74) *Attorney, Agent, or Firm* — Seed IP Law Group LLP

(57) **CLAIM**

The ornamental design for a fluid tank, as shown and described.

DESCRIPTION

FIG. 1 is a top isometric view of a fluid tank, showing an embodiment of our new design.

FIG. 2 is a bottom isometric view thereof.

FIG. 3 is a front elevational view thereof.

FIG. 4 is a rear elevational view thereof.

FIG. 5 is a left side elevational view thereof.

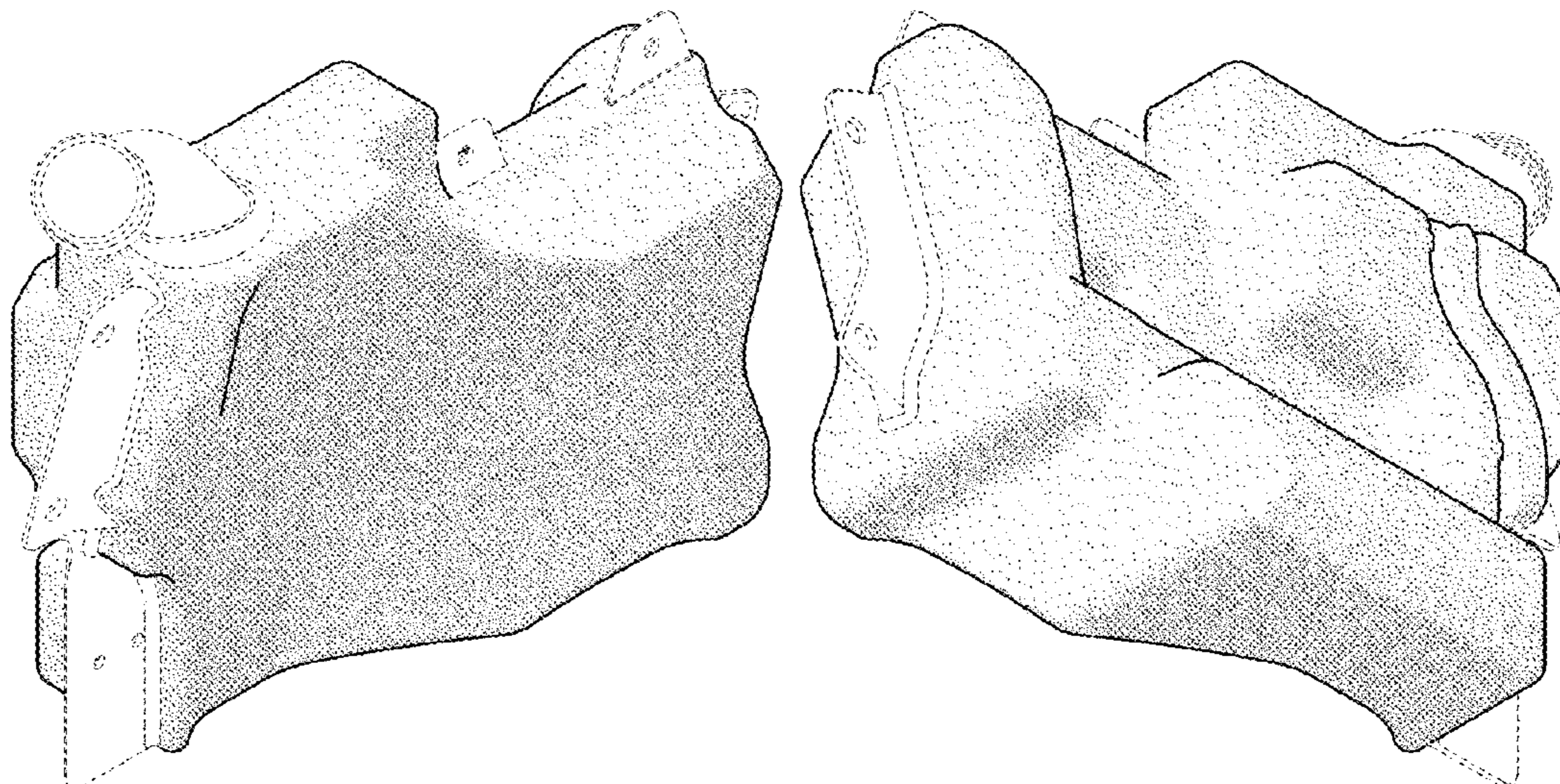
FIG. 6 is a right side elevational view thereof.

FIG. 7 is a top plan view thereof; and,

FIG. 8 is a bottom plan view thereof.

Stippling in the drawings represent the three-dimensional contours of the design, and is not intended to indicate surface decoration. The broken lines shown in the drawings depict portions of the fluid tank that form no part of the claimed design.

1 Claim, 8 Drawing Sheets



(56)

References Cited

U.S. PATENT DOCUMENTS

D872,773 S *	1/2020	Wise	D15/28
D887,945 S *	6/2020	Fellman	D12/218
D890,674 S *	7/2020	Tafe	D12/218
2005/0133623 A1 *	6/2005	Lee	B60S 1/50 239/302
2009/0134167 A1 *	5/2009	Chen	H01H 36/02 220/500
2012/0211947 A1 *	8/2012	Halili	A61M 5/1452 277/607

OTHER PUBLICATIONS

Dorman 603-109 Front Engine Coolant Reservoir, Oct. 10, 2007, Amazon.com, Jun. 15, 2021, URL: <https://www.amazon.com/Dorman-603-109-Coolant-Reservoir/dp/B000TYQ9GQ> (Year: 2007).*

Dorman 603-117 Windshield Washer Fluid Reservoir, Jun. 10, 2009, Amazon.com, Jun. 15, 2021, URL: <https://www.amazon.com/Dorman-603-117-Windshield-Washer-Reservoir/dp/B002CS3NUW> (Year: 2009).*

Make Auto Parts Manufacturing—Washer Fluid Reservoir For Honda Civic, Nov. 23, 2016, Amazon.com, Jun. 15, 2021, URL: <https://www.amazon.com/MAPM-WINDSHIELD-WASHER-HO1288110-2001-2005/dp/B01NAAK0K2> (Year: 2016).*

* cited by examiner

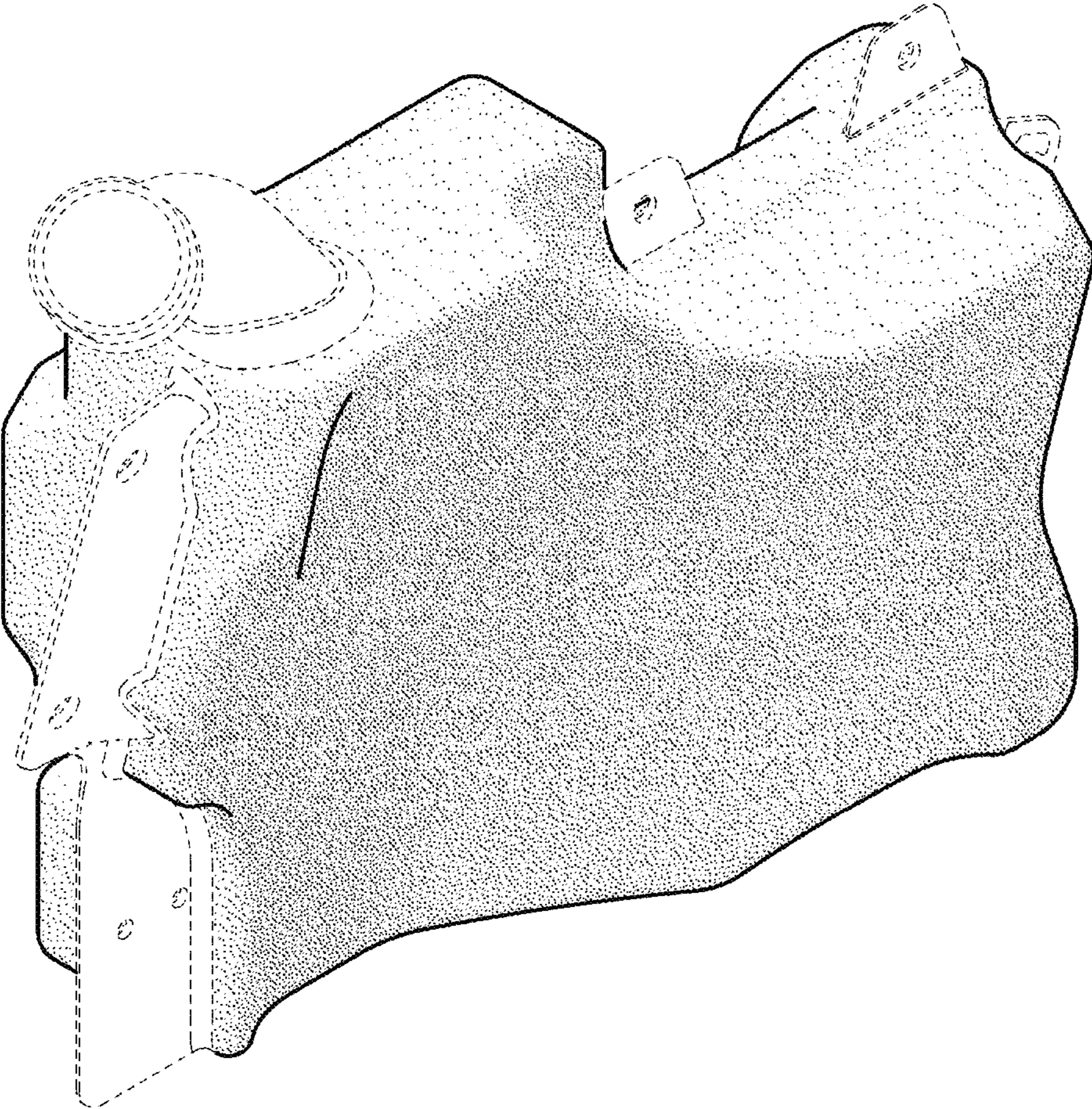


FIG. 1

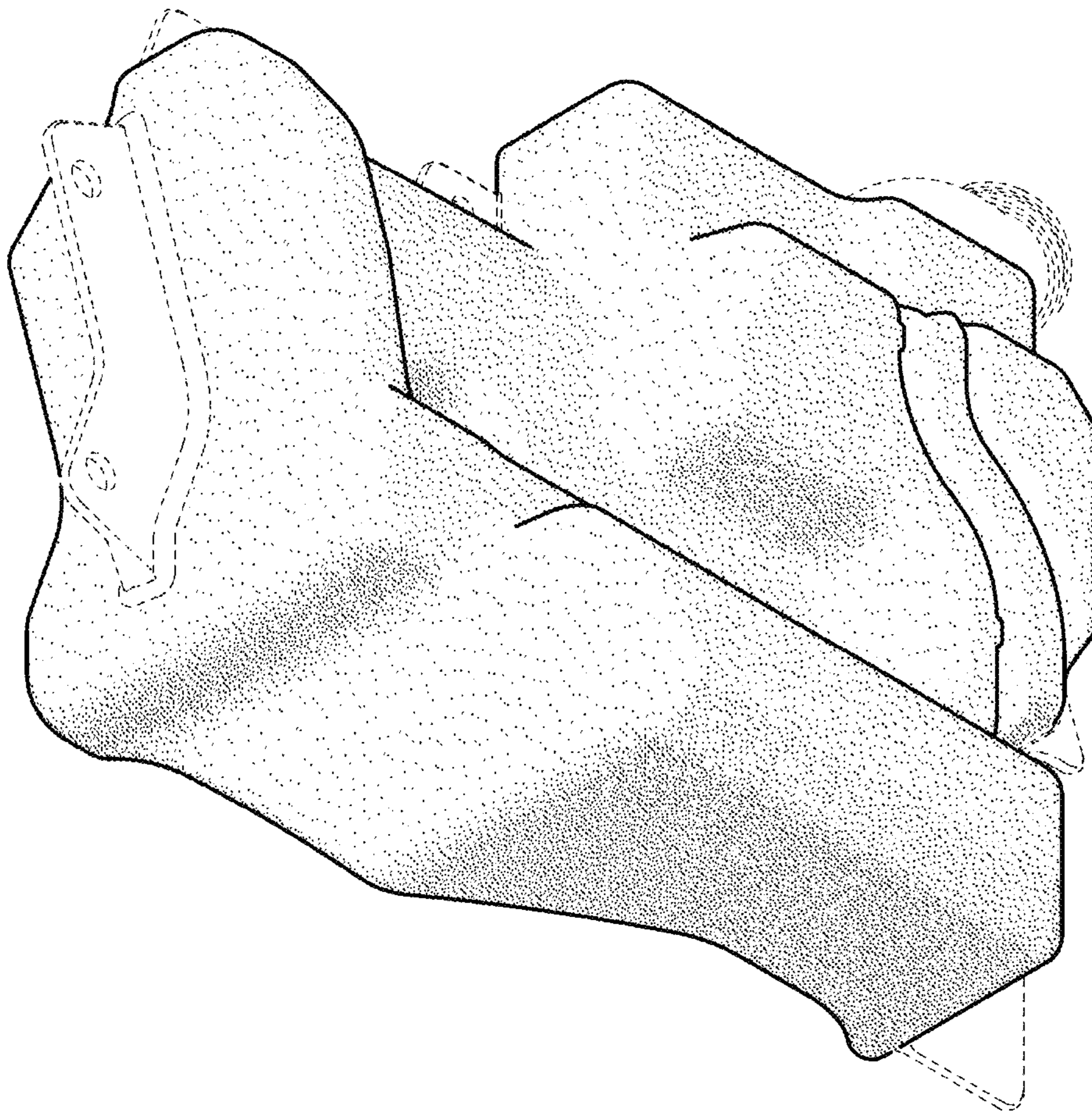


FIG. 2

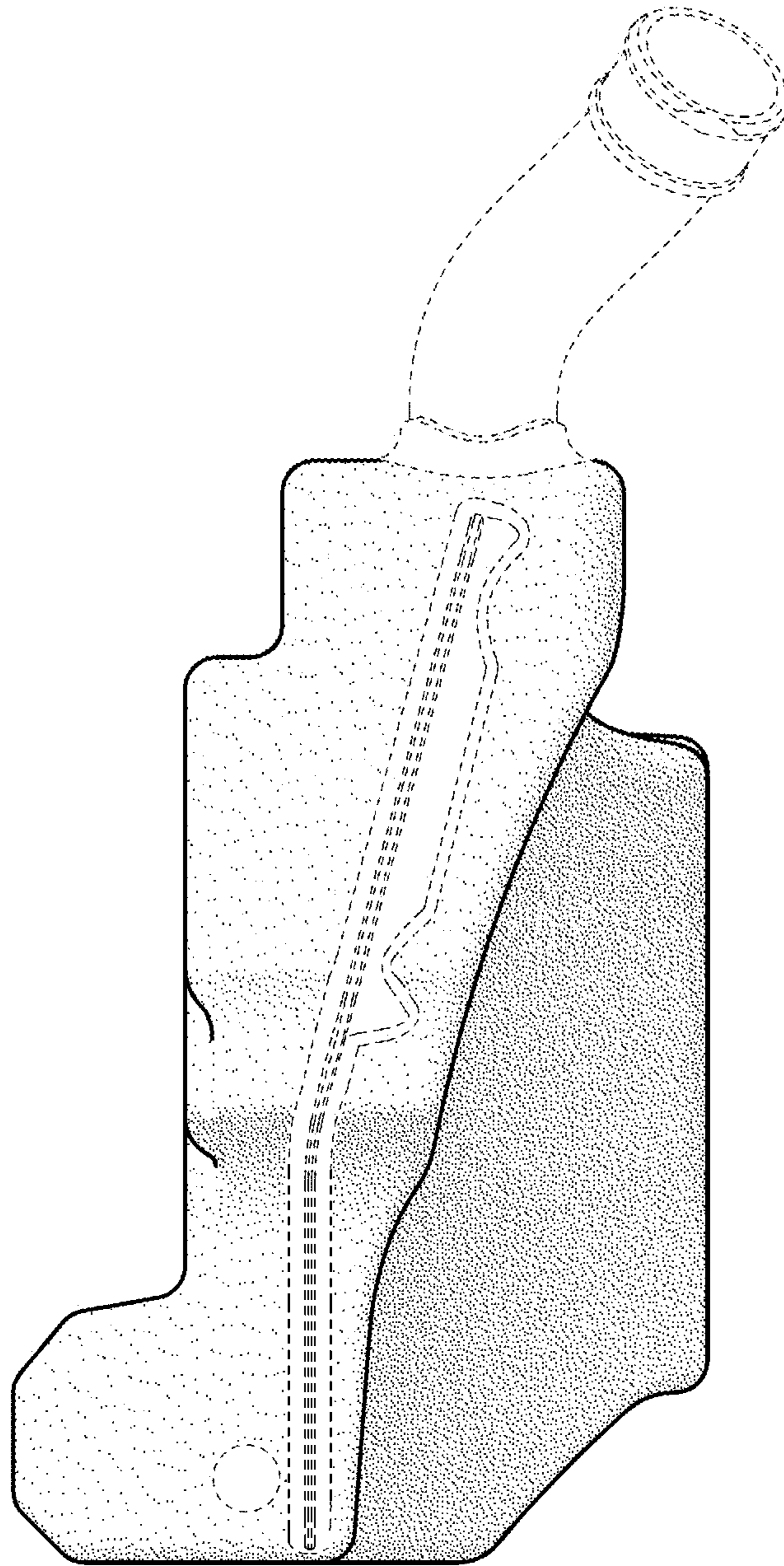


FIG. 3

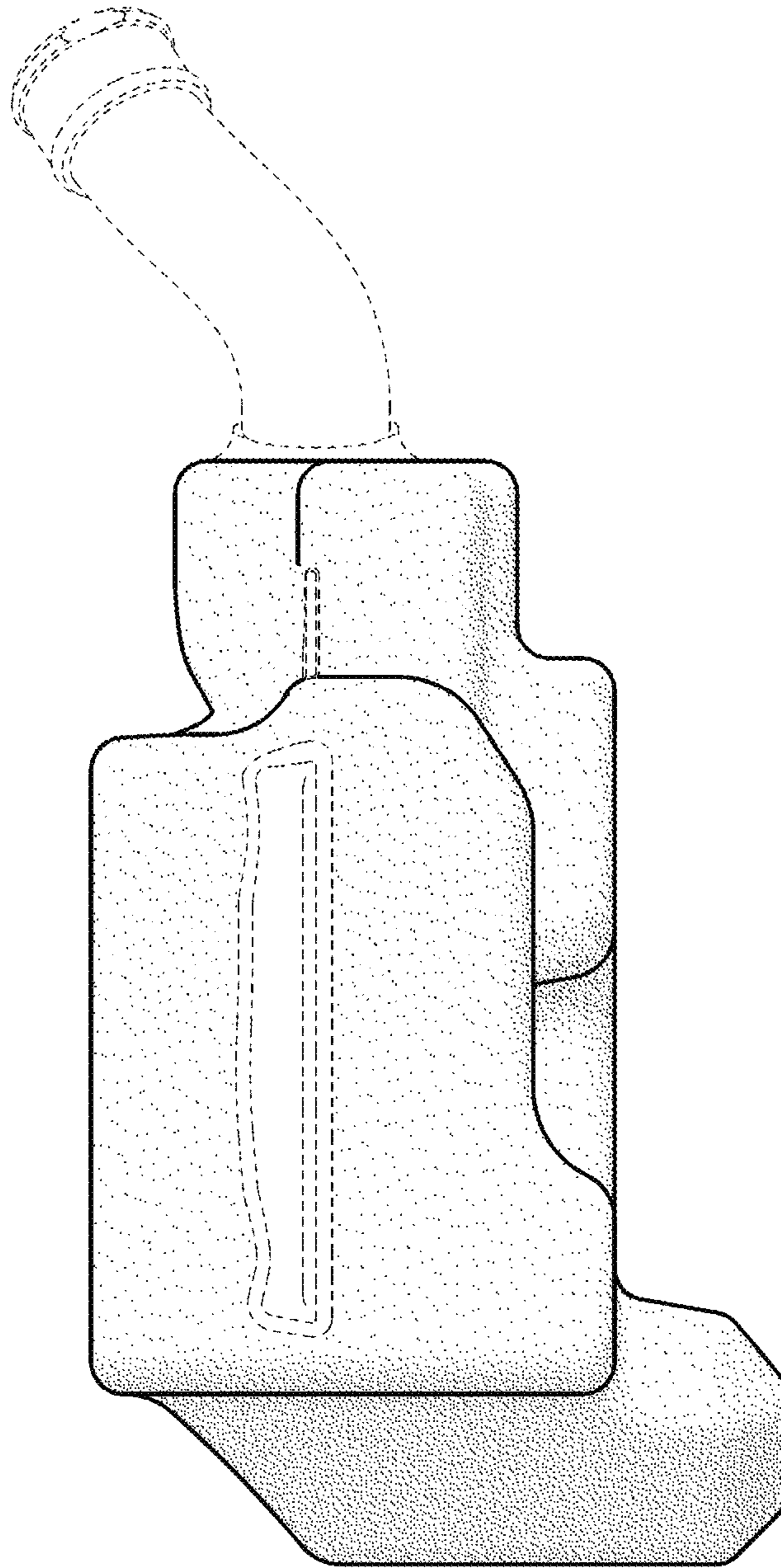


FIG. 4

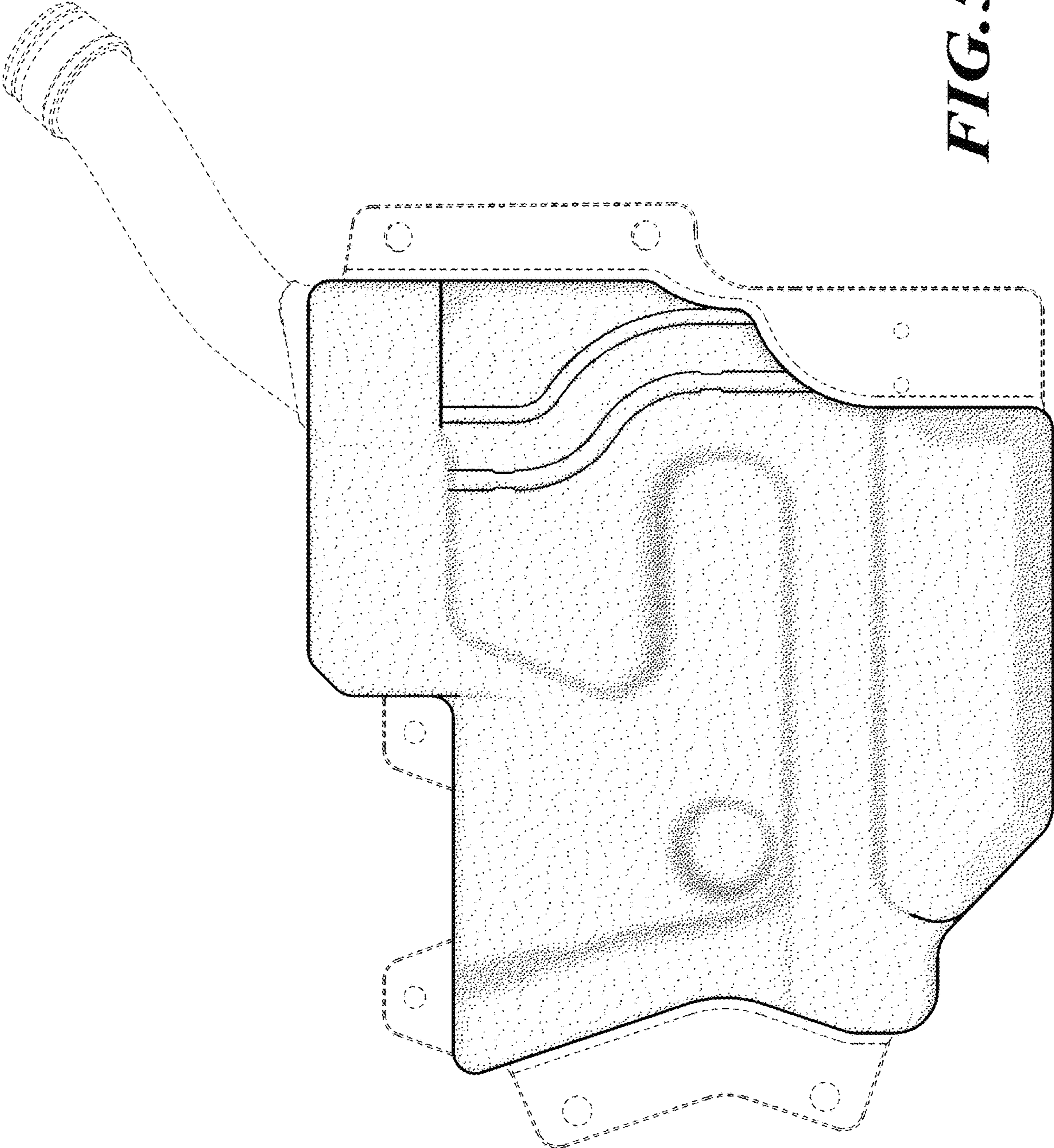


FIG. 5

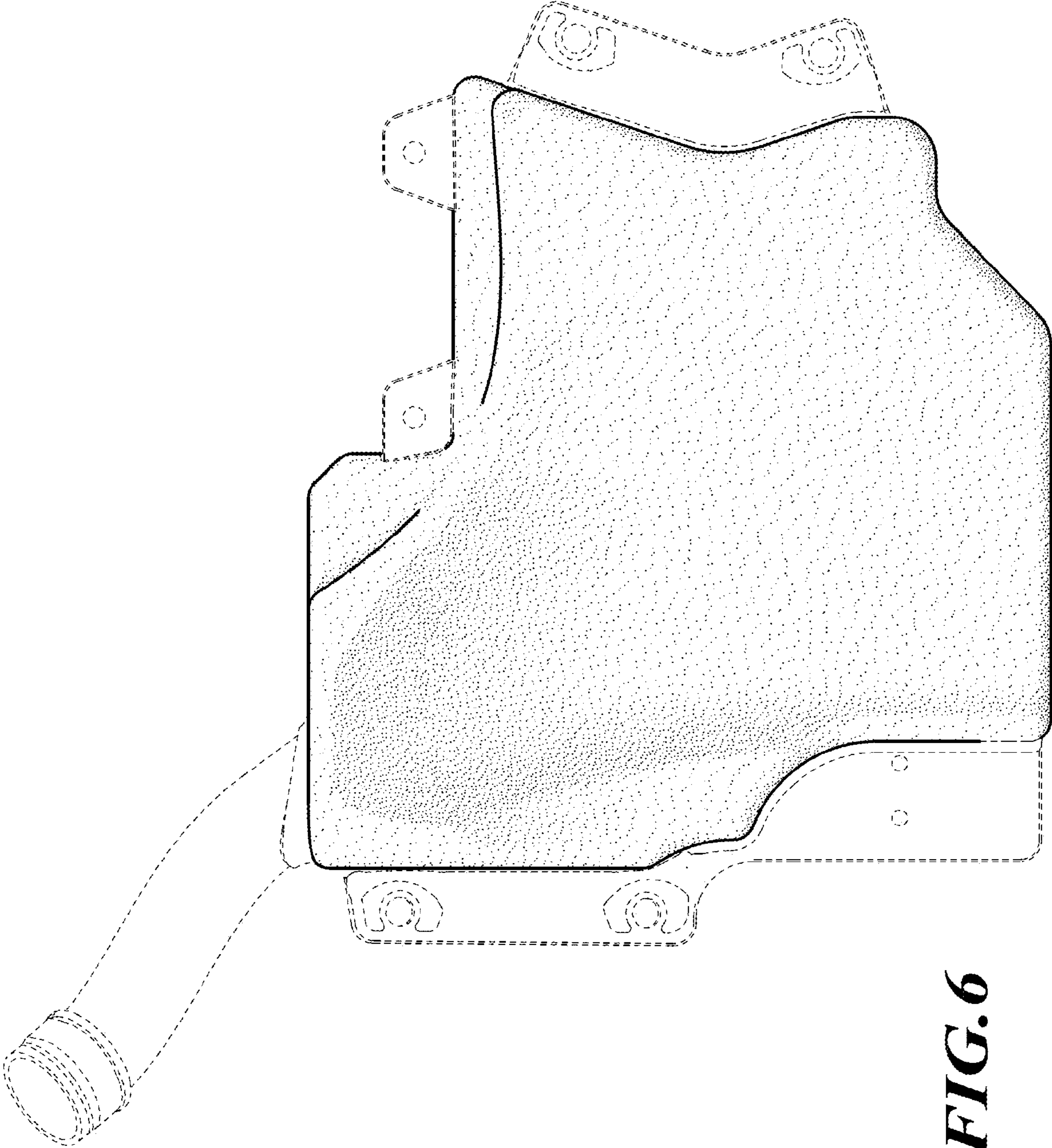


FIG. 6

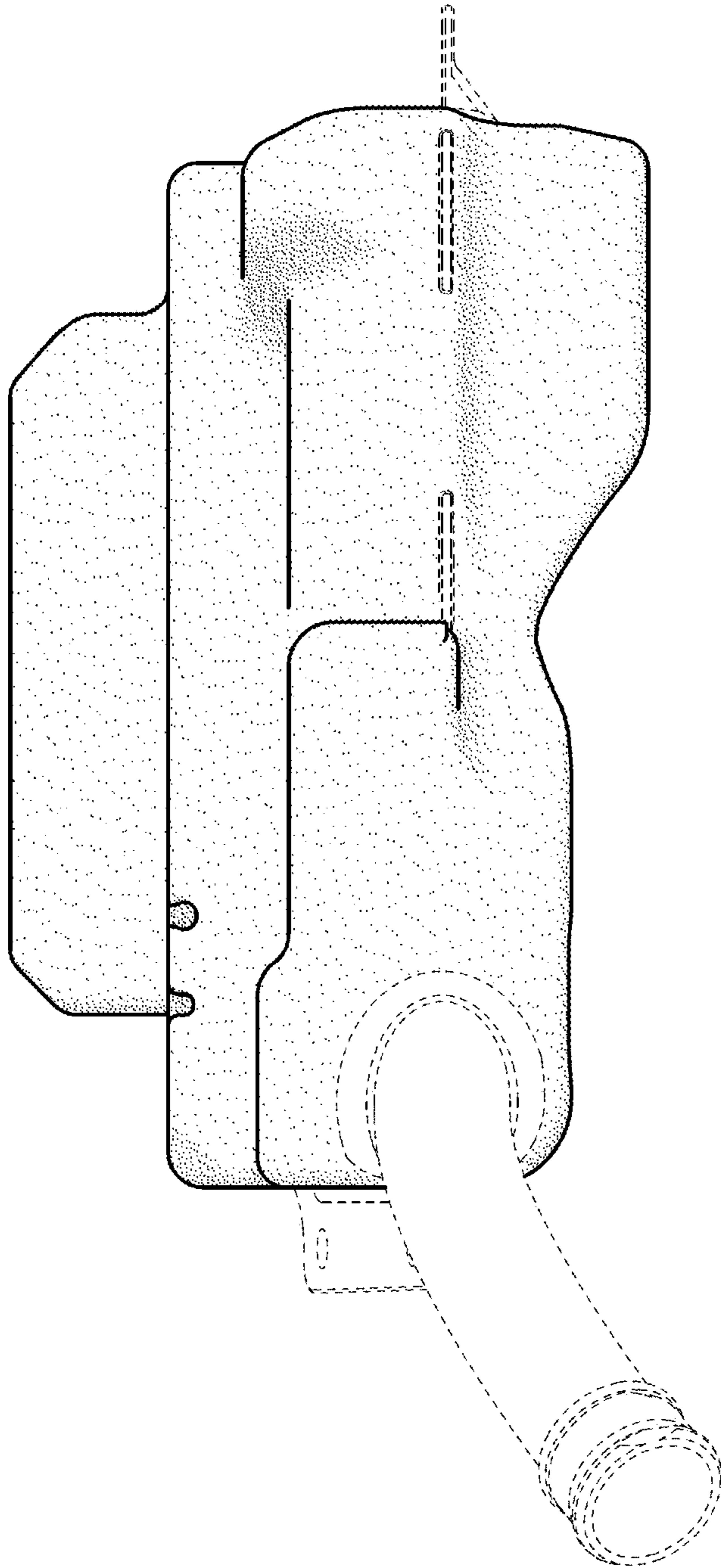


FIG. 7

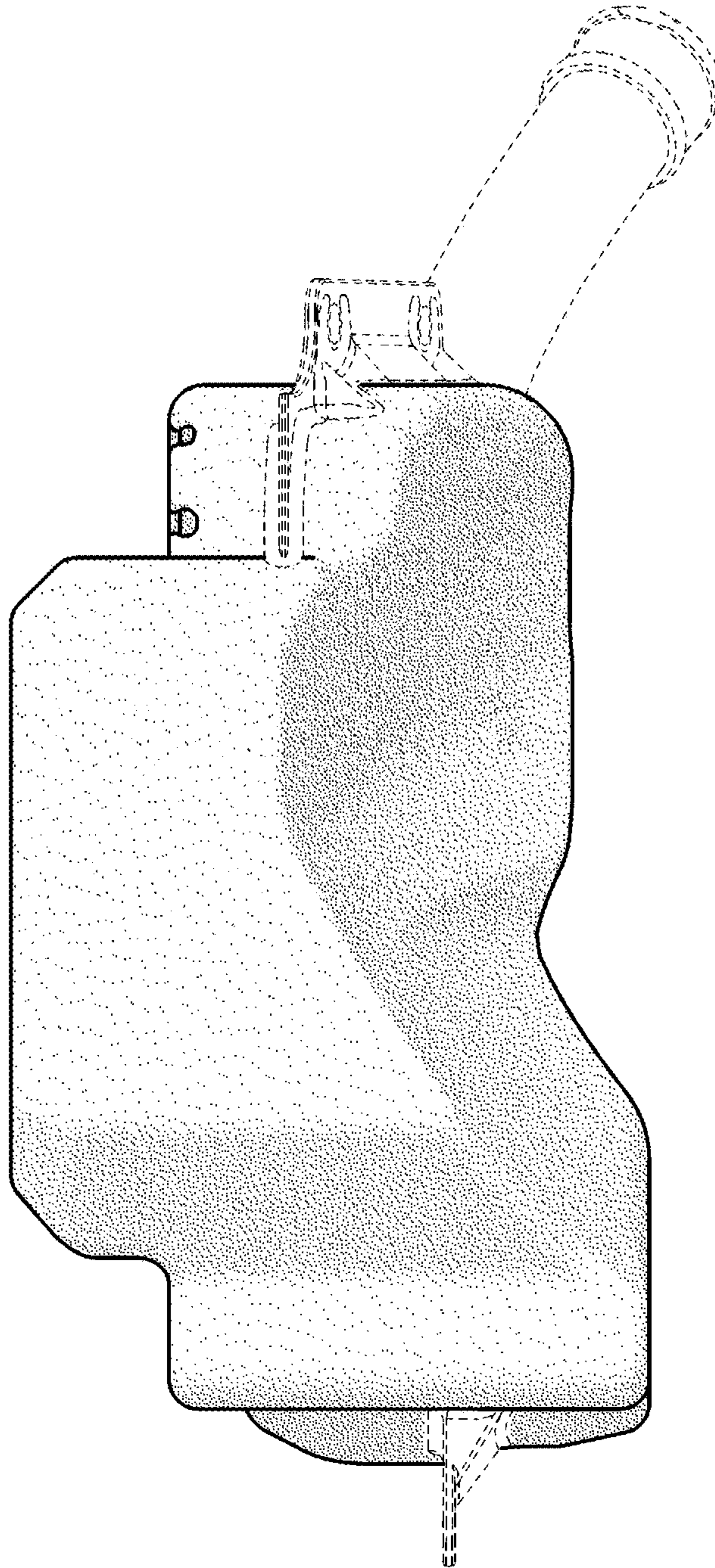


FIG. 8