



US00D933571S

(12) **United States Design Patent**  
**Patel**

(10) **Patent No.:** **US D933,571 S**

(45) **Date of Patent:** **\*\* Oct. 19, 2021**

(54) **VEHICLE WHEEL**

(71) Applicant: **JAGUAR LAND ROVER LIMITED,**  
Coventry (GB)

(72) Inventor: **Paven Patel,** Coventry (GB)

(73) Assignee: **JAGUAR LAND ROVER LIMITED,**  
Coventry (GB)

(\*\*) Term: **15 Years**

(21) Appl. No.: **29/745,322**

(22) Filed: **Aug. 5, 2020**

(30) **Foreign Application Priority Data**

Feb. 6, 2020 (EM) ..... 007667720-0003

(51) **LOC (13) Cl.** ..... **12-16**

(52) **U.S. Cl.**  
USPC ..... **D12/211**

(58) **Field of Classification Search**  
USPC ..... D12/204-213; D21/563  
CPC .... B60B 7/00; B60B 7/02; B60B 7/04; B60B  
7/01; B60B 7/06; B60B 3/02; B60B 3/04;  
B60B 3/06; B60B 3/10; B60B 1/00;  
B60B 1/08; B60B 1/10; B60B 1/12  
See application file for complete search history.

(56) **References Cited**

**U.S. PATENT DOCUMENTS**

D617,719 S \* 6/2010 Zhao ..... D12/211  
D667,769 S \* 9/2012 Pollmann ..... D12/209  
D731,391 S \* 6/2015 Zhao ..... D12/211  
D748,559 S \* 2/2016 Zhao ..... D12/211  
D751,488 S \* 3/2016 Zhao ..... D12/211

D756,286 S \* 5/2016 Zhao ..... D12/211  
D756,881 S \* 5/2016 Zhao ..... D12/211  
D773,369 S \* 12/2016 Rueckheim ..... D12/211  
D780,660 S \* 3/2017 Giolito ..... D12/211  
D791,055 S \* 7/2017 Valencia Pollex ..... D12/211  
D792,311 S \* 7/2017 Gallert ..... D12/211  
D801,904 S \* 11/2017 Groth ..... D12/211  
D806,632 S \* 1/2018 Peat ..... D12/211  
D820,761 S \* 6/2018 Badstuebner ..... D12/211  
D826,127 S \* 8/2018 Juergens ..... D12/209  
D826,828 S \* 8/2018 Wheel ..... D12/211  
D830,932 S \* 10/2018 Zhao ..... D12/209  
D835,026 S \* 12/2018 Valencia Pollex ..... D12/209  
D899,993 S \* 10/2020 Davidson ..... D12/209  
D906,921 S \* 1/2021 Liu ..... D12/209  
D906,939 S \* 1/2021 Ma ..... D12/211  
D915,979 S \* 4/2021 Shida ..... D12/209

\* cited by examiner

*Primary Examiner* — Stacia A Cadmus

(74) *Attorney, Agent, or Firm* — Reising Ethington P.C.

(57) **CLAIM**

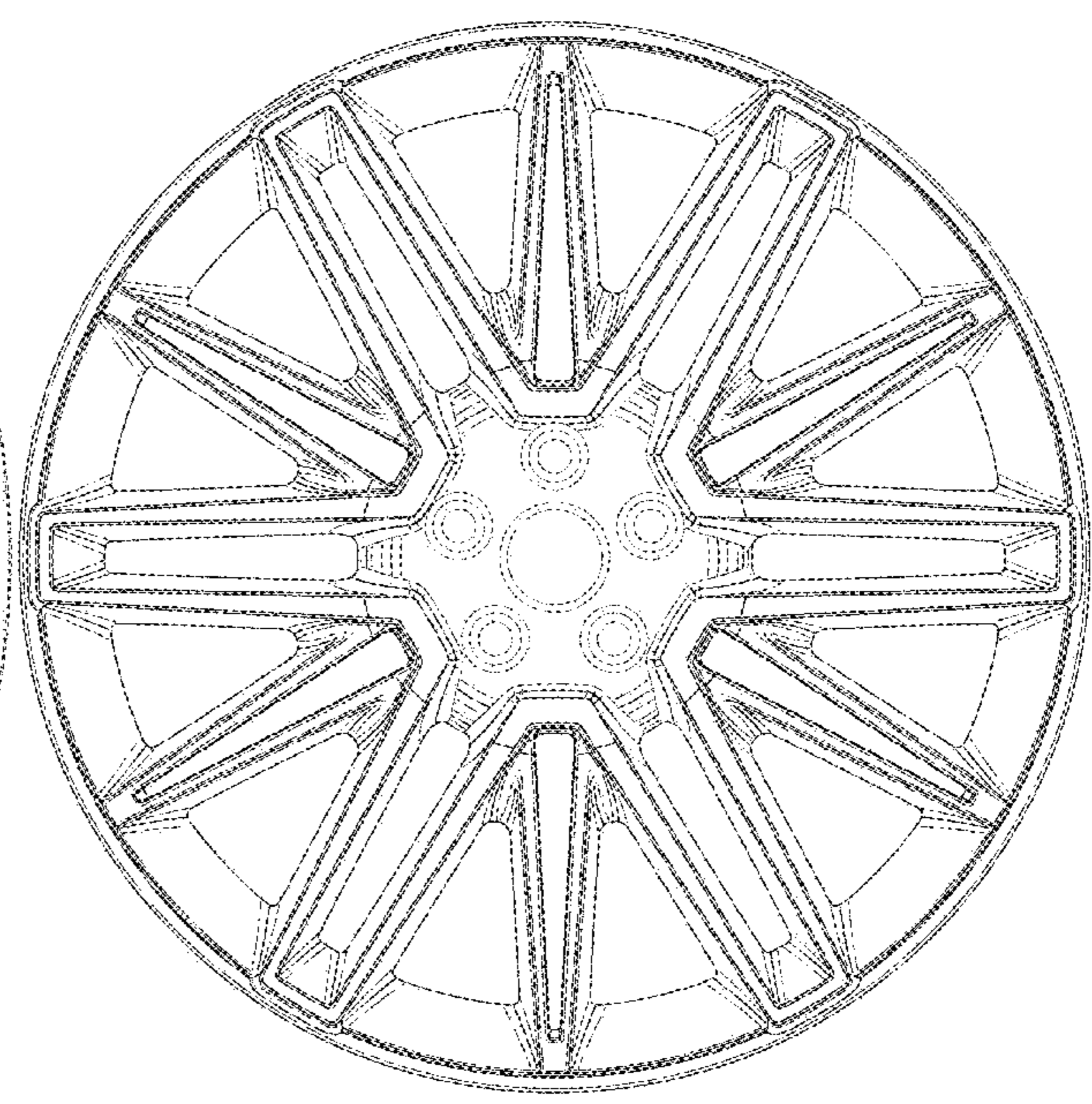
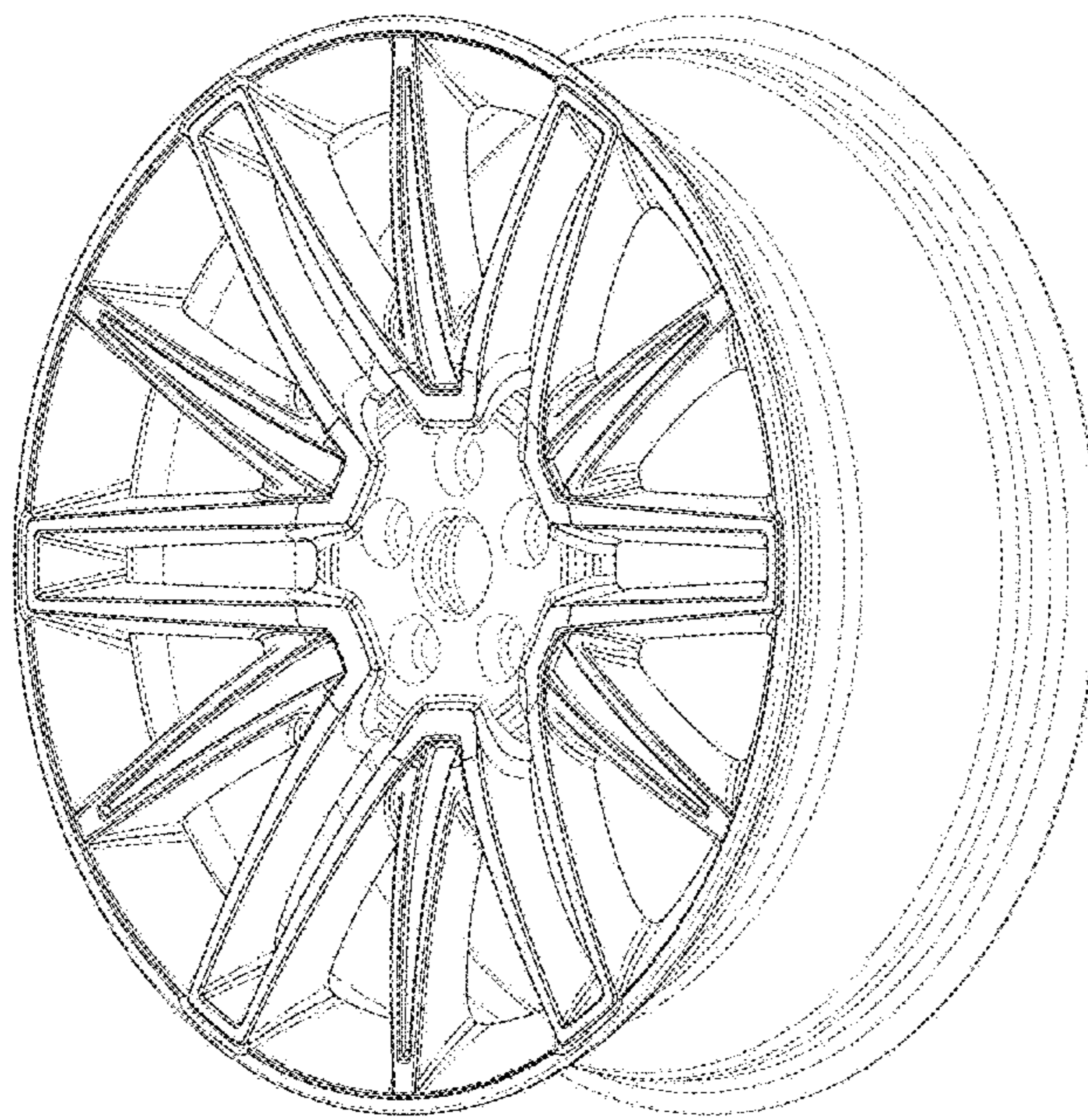
The ornamental design for a vehicle wheel, as shown and described.

**DESCRIPTION**

FIG. 1 is a frontside perspective view of the vehicle wheel;  
FIG. 2 is a rear side perspective view thereof;  
FIG. 3 is a front view thereof;  
FIG. 4 is a rear view thereof;  
FIG. 5 is a left side view thereof;  
FIG. 6 is a right side view thereof;  
FIG. 7 is a top view thereof; and,  
FIG. 8 is a bottom view thereof.

The broken lines shown in the drawings depict portions of the vehicle wheel that form no part of the claimed design.

**1 Claim, 8 Drawing Sheets**





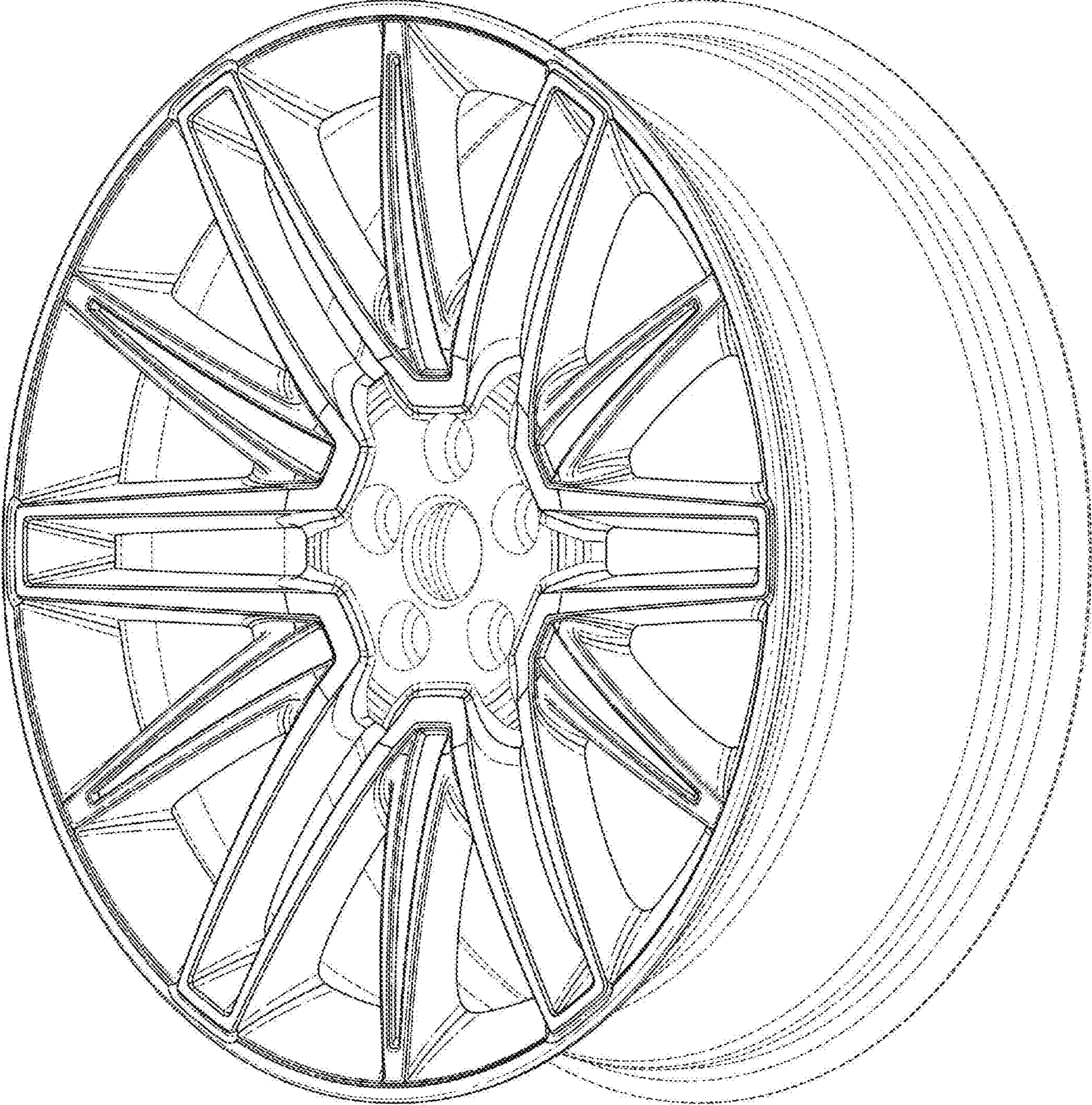


FIG. 1



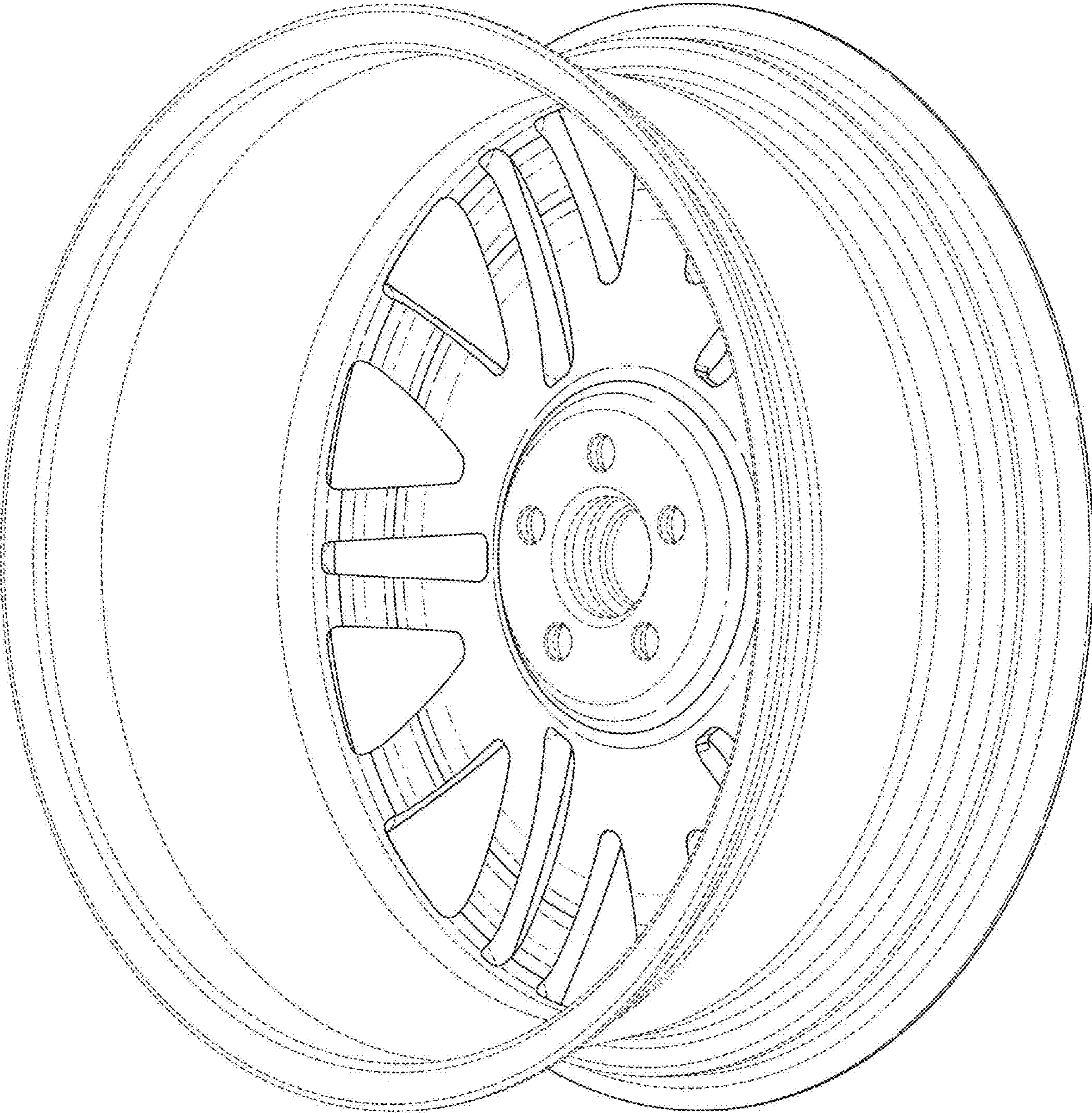


FIG. 2



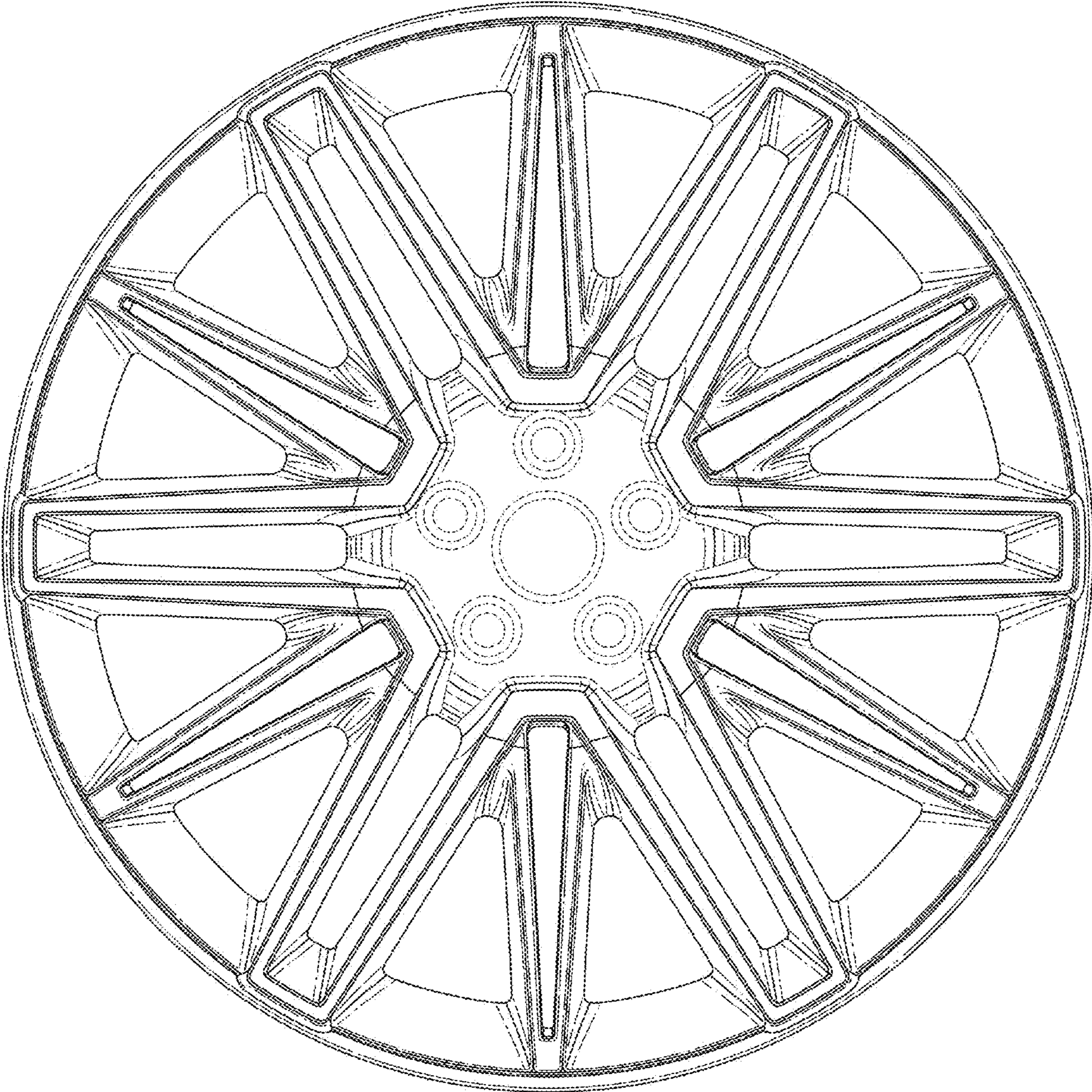


FIG. 3



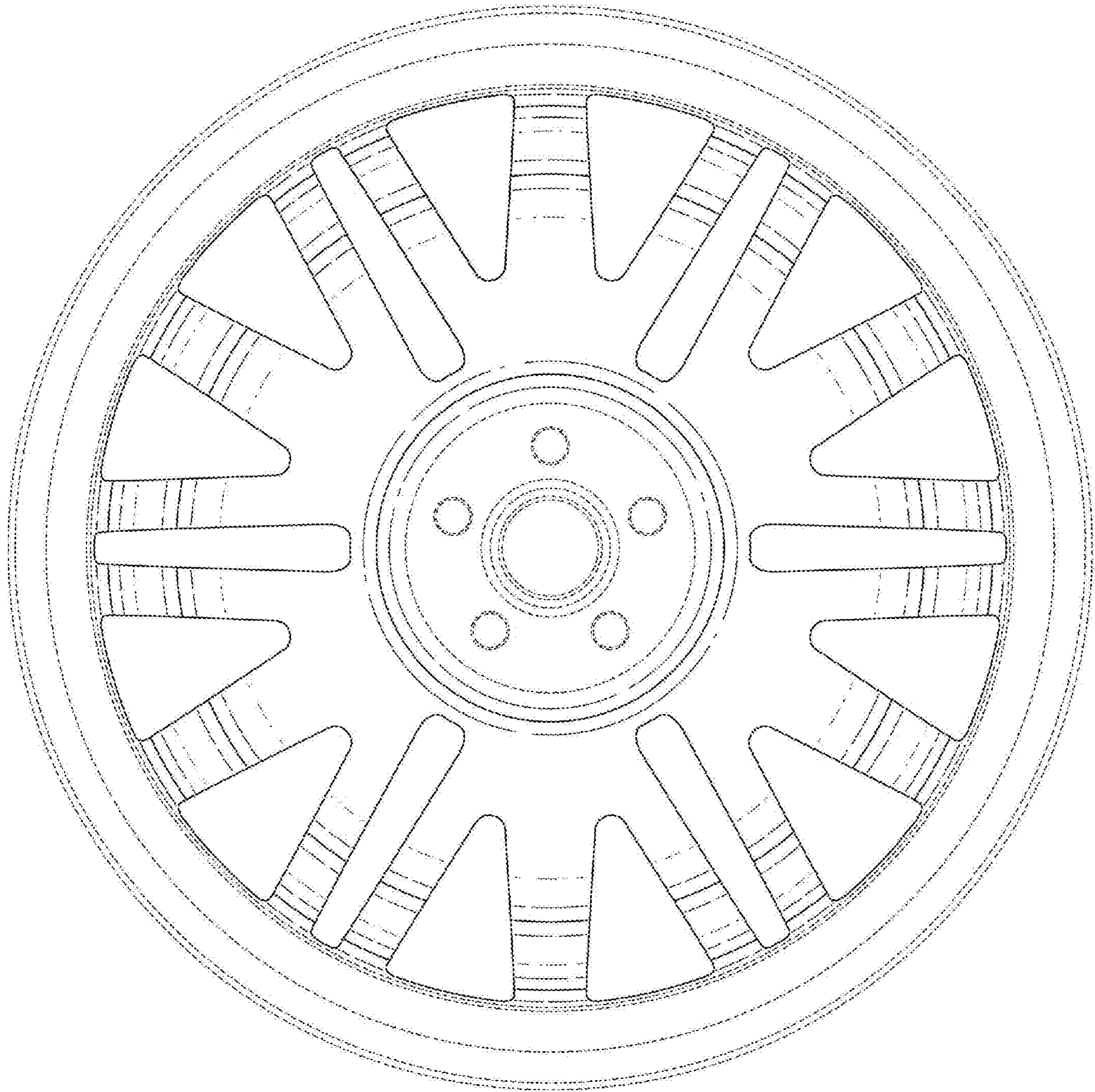


FIG. 4

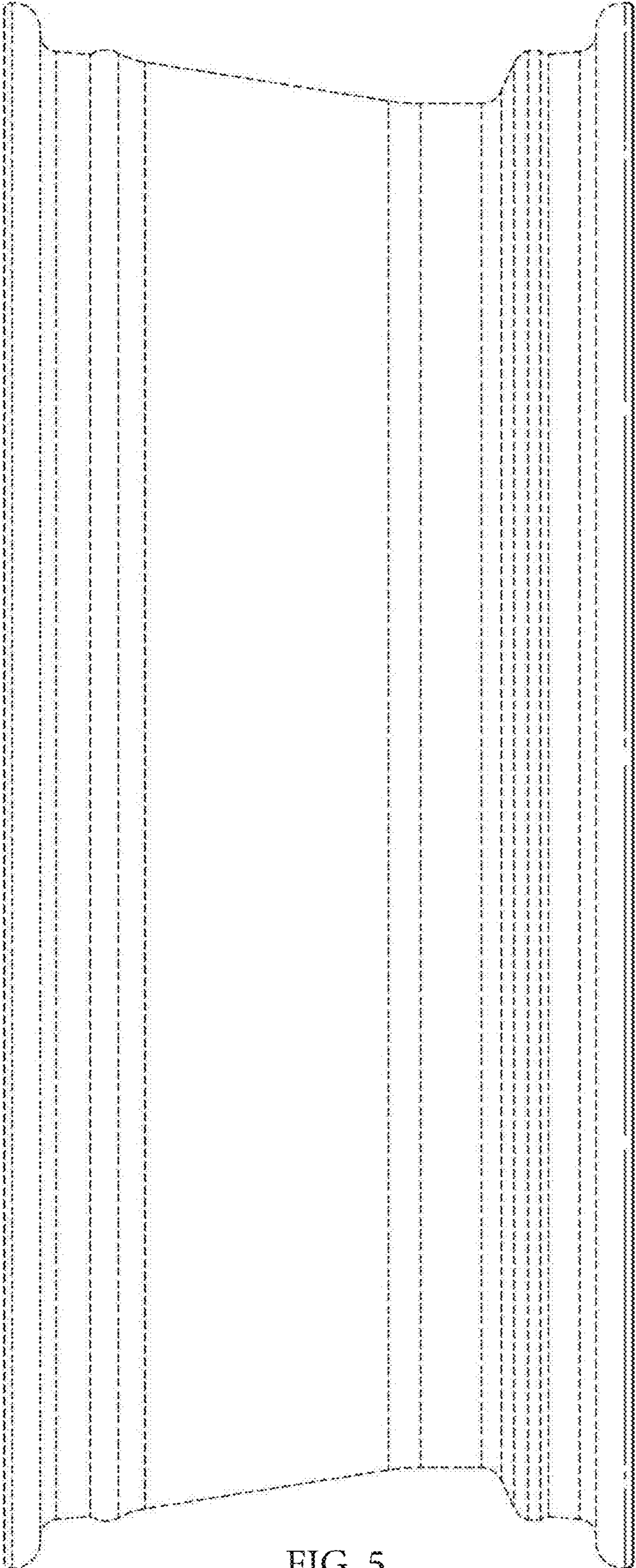


FIG. 5



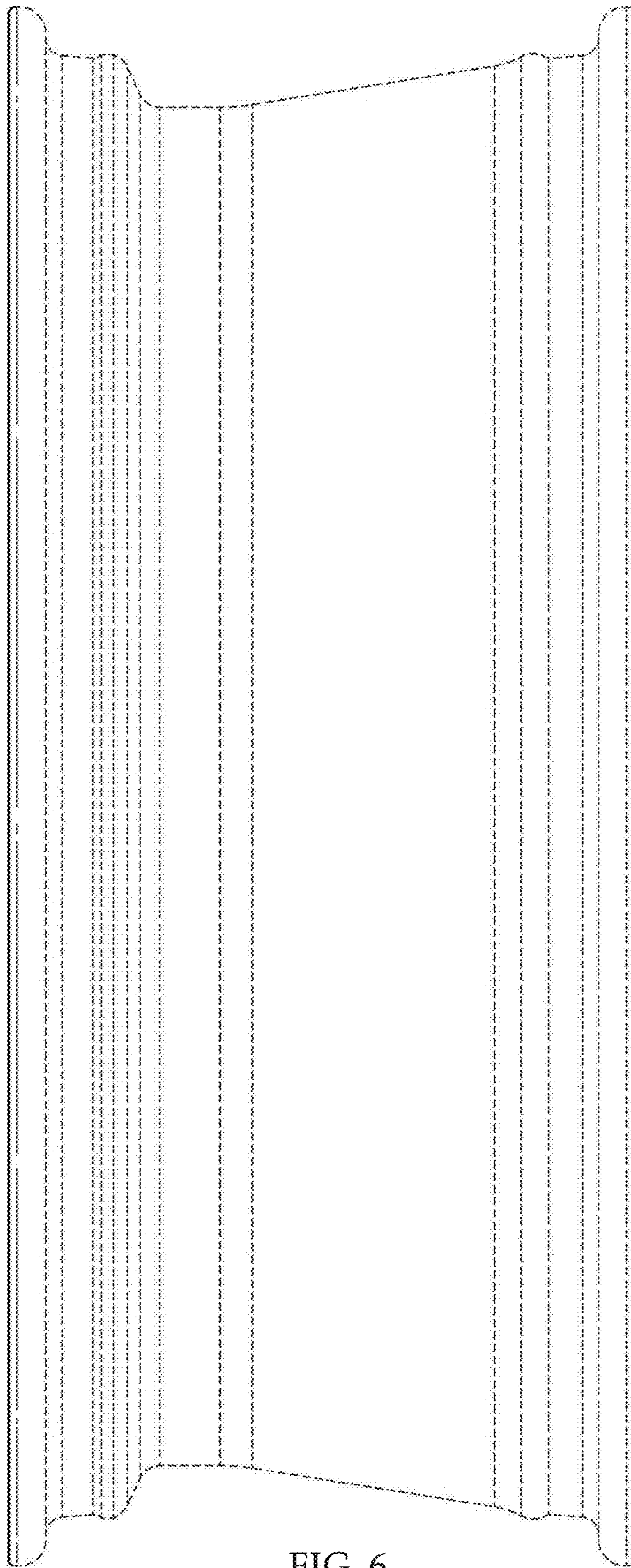


FIG. 6



FIG. 7





FIG. 8