



US00D933570S

(12) **United States Design Patent**  
**Podlovits**

(10) **Patent No.:** **US D933,570 S**

(45) **Date of Patent:** **\*\* Oct. 19, 2021**

- (54) **WHEEL FRONT FACE**
- (71) Applicant: **Joseph F. Podlovits**, Brea, CA (US)
- (72) Inventor: **Joseph F. Podlovits**, Brea, CA (US)
- (73) Assignee: **WHEEL GROUP HOLDINGS, LLC**,  
Ontario, CA (US)
- (\*\*) Term: **15 Years**
- (21) Appl. No.: **29/753,533**
- (22) Filed: **Sep. 30, 2020**
- (51) **LOC (13) Cl.** ..... **12-16**
- (52) **U.S. Cl.**  
USPC ..... **D12/209**
- (58) **Field of Classification Search**  
USPC ..... D12/204–213; D21/563  
CPC .... B60B 7/00; B60B 7/02; B60B 7/04; B60B  
7/01; B60B 7/06; B60B 3/02; B60B 3/04;  
B60B 3/06; B60B 3/10; B60B 1/00;  
B60B 1/08; B60B 1/10; B60B 1/12  
See application file for complete search history.

(56) **References Cited**

**U.S. PATENT DOCUMENTS**

D392,239 S	*	3/1998	Cullen	.....	D12/211
D535,935 S	*	1/2007	Scheu	.....	D12/211
D619,071 S	*	7/2010	Christensen	.....	D12/211
D635,077 S	*	3/2011	Nordmann	.....	D12/209
D686,965 S	*	7/2013	Pollmann	.....	D12/211
D707,165 S	*	6/2014	Wheel	.....	D12/209
D727,822 S	*	4/2015	Wheel	.....	D12/209
D745,842 S	*	12/2015	Wheel	.....	D12/209
D769,170 S	*	10/2016	Johnson	.....	D12/211

D791,041 S	*	7/2017	Johnson	.....	D12/209
D846,475 S	*	4/2019	Lucas	.....	D12/209
D848,341 S	*	5/2019	O'Neill	.....	D12/209
D848,342 S	*	5/2019	Chan	.....	D12/209
D850,351 S	*	6/2019	Wheel	.....	D12/211
D862,346 S	*	10/2019	Woodhouse	.....	D12/209
D877,035 S	*	3/2020	Park	.....	D12/211
D880,396 S	*	4/2020	O'Neill	.....	D12/209
D883,173 S	*	5/2020	Woodhouse	.....	D12/209
D884,570 S	*	5/2020	Liu	.....	D12/209
D890,068 S	*	7/2020	Junghans	.....	D12/209
D894,074 S	*	8/2020	Woodhouse	.....	D12/209
D895,513 S	*	9/2020	Patel	.....	D12/209
D896,719 S	*	9/2020	Metros	.....	D12/209
D899,996 S	*	10/2020	O'Neill	.....	D12/209
D908,575 S	*	1/2021	Wheel	.....	D12/209
D918,815 S	*	5/2021	Andoh	.....	D12/209
D920,875 S	*	6/2021	Andoh	.....	D12/209
D924,112 S	*	7/2021	Woodhouse	.....	D12/209

\* cited by examiner

*Primary Examiner* — Stacia A Cadmus

(74) *Attorney, Agent, or Firm* — Law Offices of S. J. Christine Yang

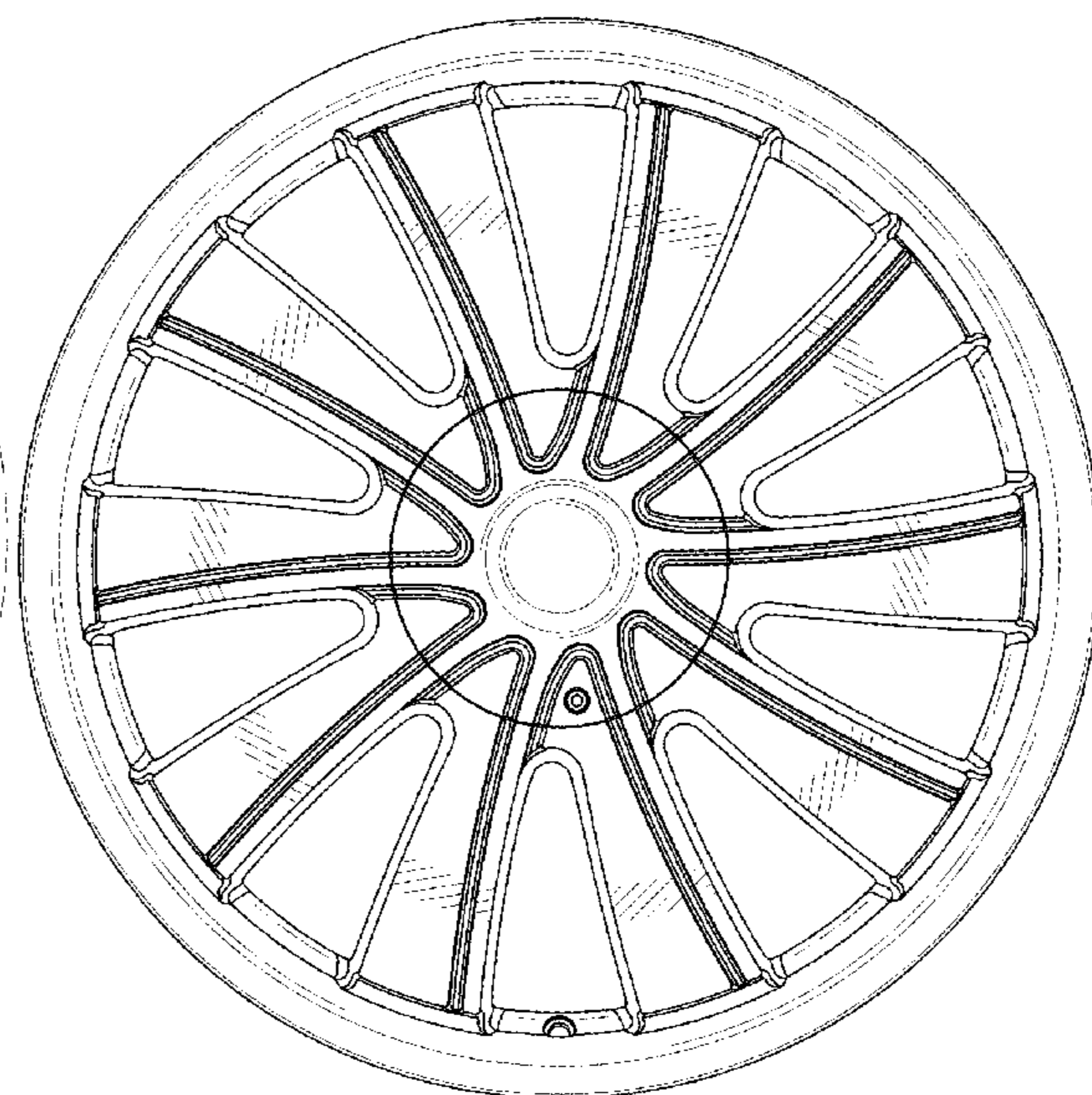
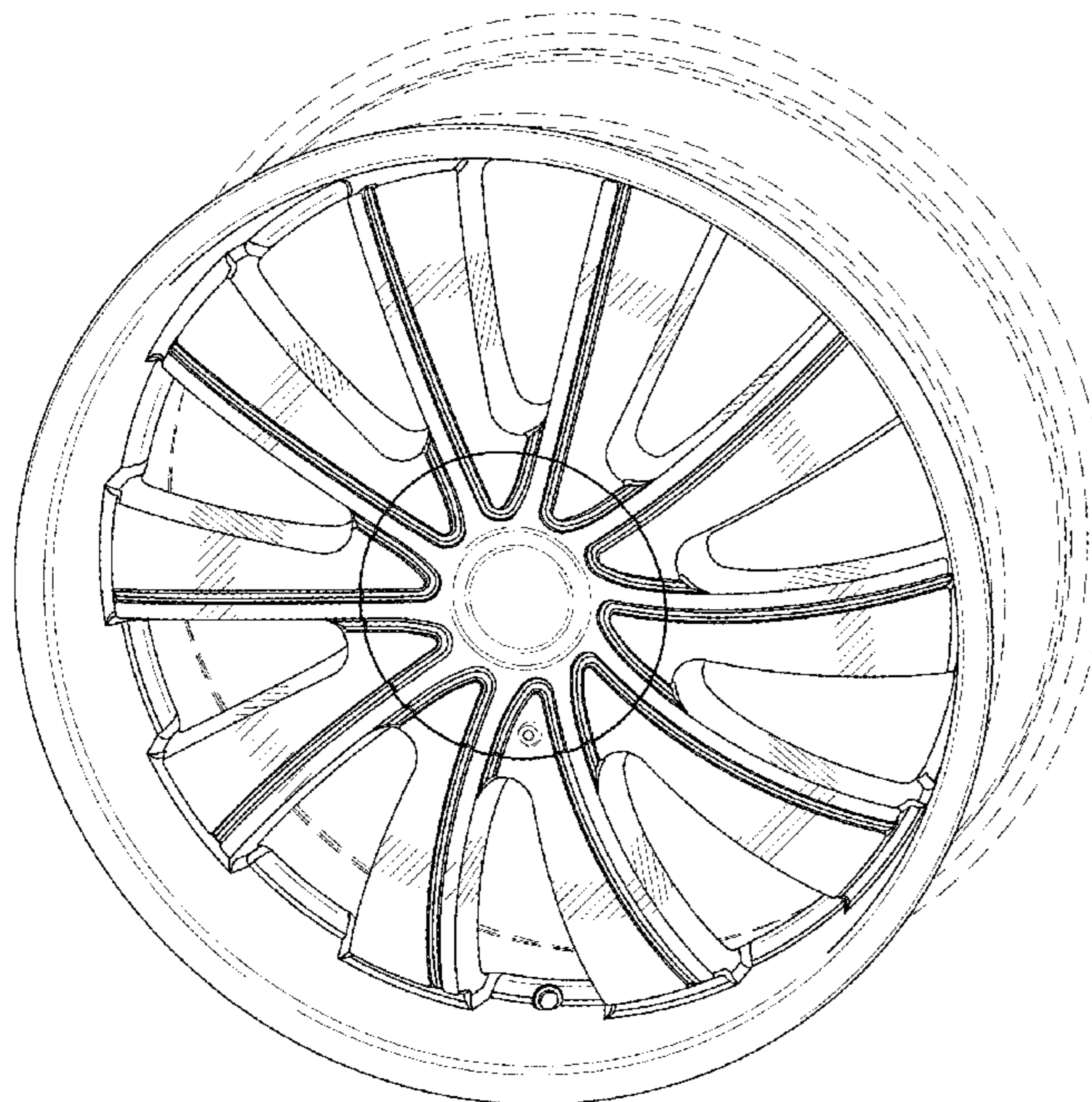
(57) **CLAIM**

The ornamental design for a wheel front face, as shown and described.

**DESCRIPTION**

FIG. 1 is a perspective view of a wheel front face, showing my new design;  
FIG. 2 is a front view thereof; and,  
FIG. 3 is a side view thereof.  
In the drawings the broken lines depict portions of the wheel that form no part of the claimed design.

**1 Claim, 3 Drawing Sheets**



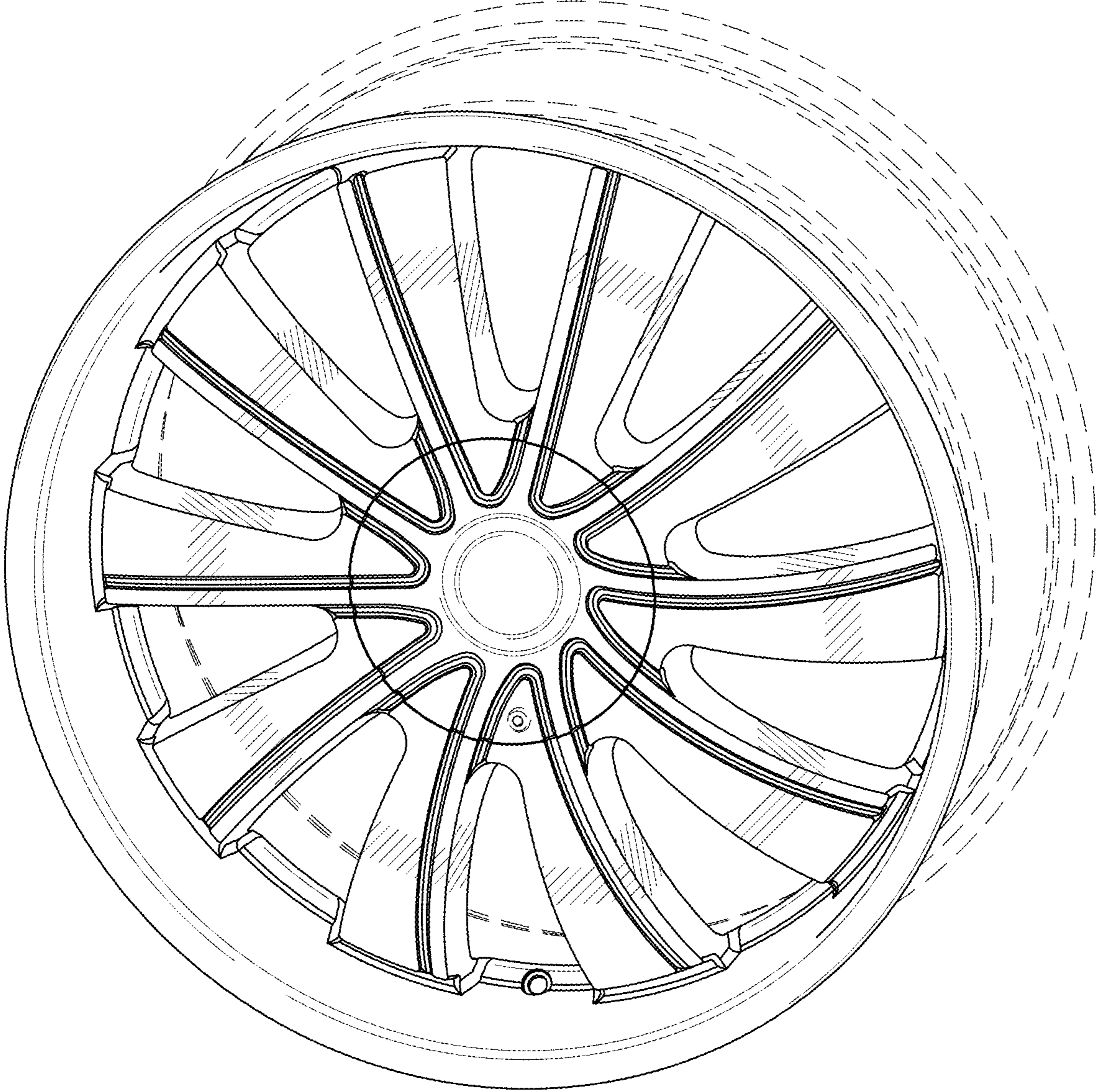


FIG. 1

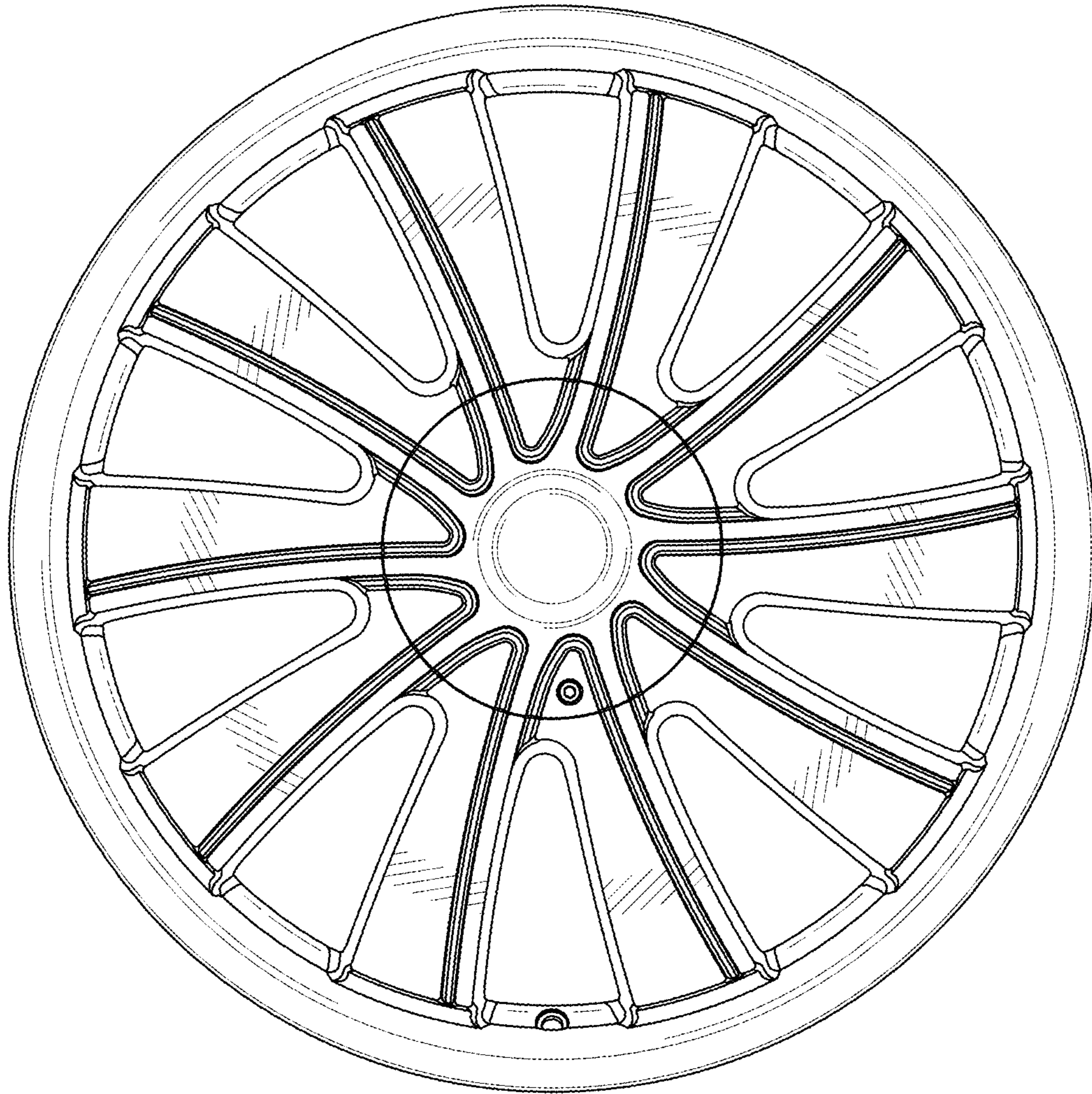


FIG. 2

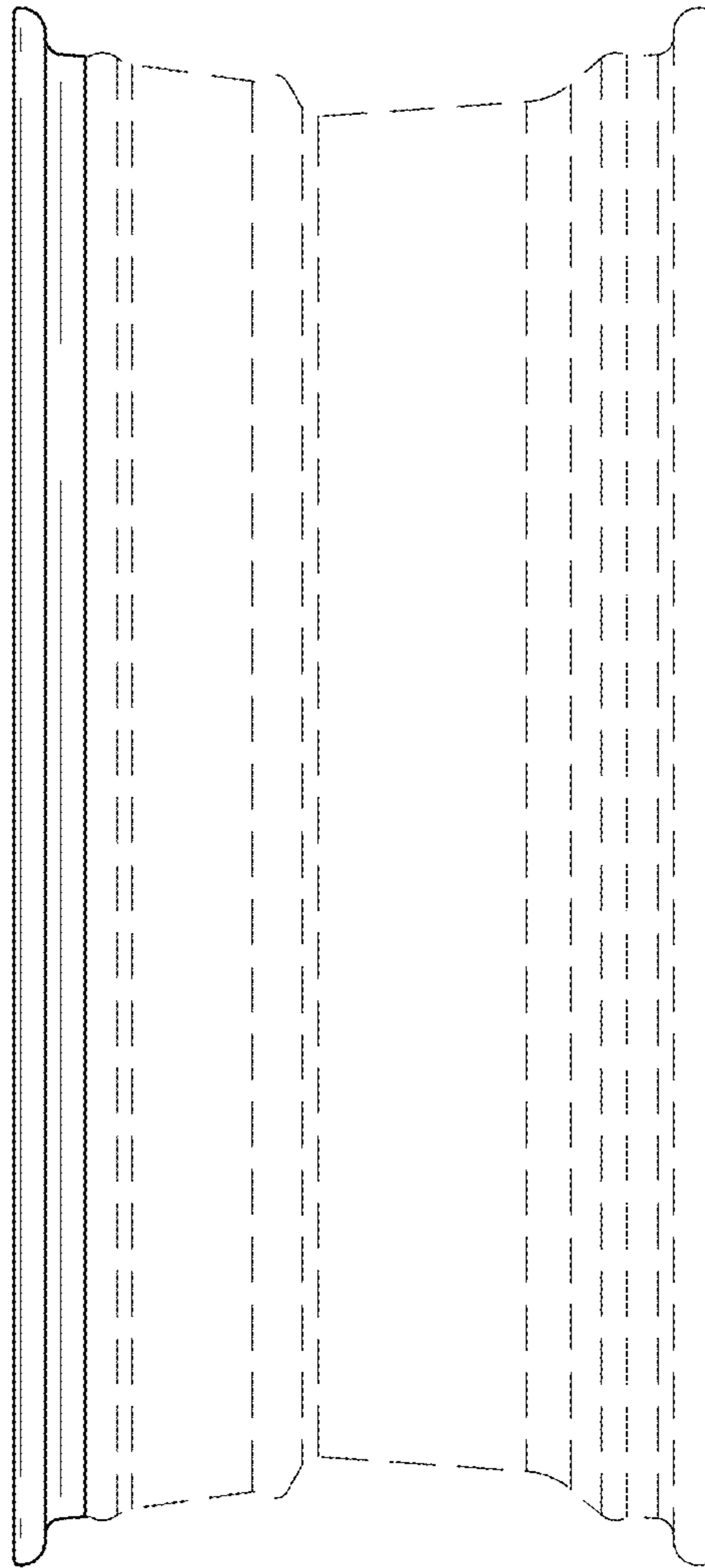


FIG. 3