



US00D933564S

(12) **United States Design Patent**
Peat

(10) **Patent No.:** **US D933,564 S**

(45) **Date of Patent:** **** Oct. 19, 2021**

(54) **VEHICLE WHEEL**

(71) Applicant: **JAGUAR LAND ROVER LIMITED,**
Coventry (GB)

(72) Inventor: **Anthony Peat,** Coventry (GB)

(73) Assignee: **JAGUAR LAND ROVER LIMITED,**
Coventry (GB)

(**) Term: **15 Years**

(21) Appl. No.: **29/743,685**

(22) Filed: **Jul. 23, 2020**

(30) **Foreign Application Priority Data**

Jan. 24, 2020 (EM) 007552955

(51) **LOC (13) Cl.** **12-16**

(52) **U.S. Cl.**
USPC **D12/209**

(58) **Field of Classification Search**

USPC D12/204-213; D21/563

CPC B60B 7/00; B60B 7/02; B60B 7/04; B60B

7/01; B60B 7/06; B60B 3/02; B60B 3/04;

B60B 3/06; B60B 3/10; B60B 1/00;

B60B 1/08; B60B 1/10; B60B 1/12

See application file for complete search history.

(56) **References Cited**

U.S. PATENT DOCUMENTS

D451,460 S * 12/2001 Arellano D12/209

D581,337 S * 11/2008 Juergens D12/209

D619,951 S * 7/2010 Baum D12/209

D631,812 S * 2/2011 Juergens D12/209

D631,814 S * 2/2011 Baum D12/209

D664,488 S * 7/2012 Guille D12/209

D664,908 S * 8/2012 Kim D12/209

D665,322 S * 8/2012 Kim D12/204

D671,474 S * 11/2012 Juergens D12/209

D683,680 S * 6/2013 Kito D12/204

D685,710 S * 7/2013 Hanaoka D12/209

D686,133 S * 7/2013 Juergens D12/209

D723,989 S * 3/2015 Morikawa D12/209

D768,553 S * 10/2016 Ishii D12/209

D835,561 S * 12/2018 Hayashi D12/209

D838,652 S * 1/2019 Kato D12/209

D848,336 S * 5/2019 Holly D12/209

D862,352 S * 10/2019 Bjerke D12/209

D891,347 S * 7/2020 Huang D12/209

D893,379 S * 8/2020 Wheel D12/209

D903,570 S * 12/2020 Myrberg D12/209

D904,269 S * 12/2020 Bjerke D12/209

D920,207 S * 5/2021 Peralta D12/209

* cited by examiner

Primary Examiner — Stacia A Cadmus

(74) *Attorney, Agent, or Firm* — Reising Ethington P.C.

(57) **CLAIM**

The ornamental design for a vehicle wheel, as shown and described.

DESCRIPTION

FIG. 1 is a frontside perspective view of the vehicle wheel;

FIG. 2 is a rear side perspective view thereof;

FIG. 3 is a front view thereof;

FIG. 4 is a rear view thereof;

FIG. 5 is a left side view thereof;

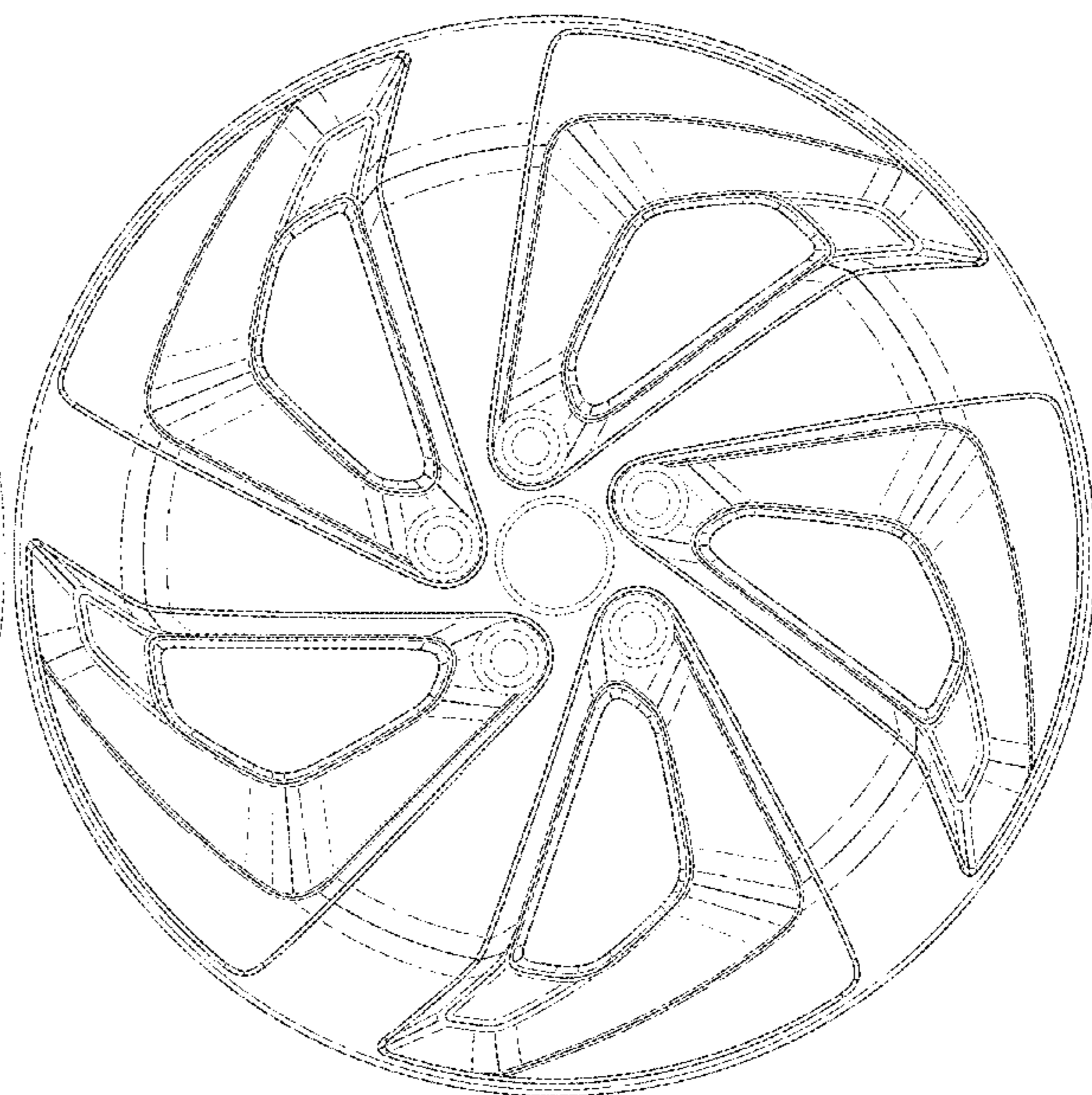
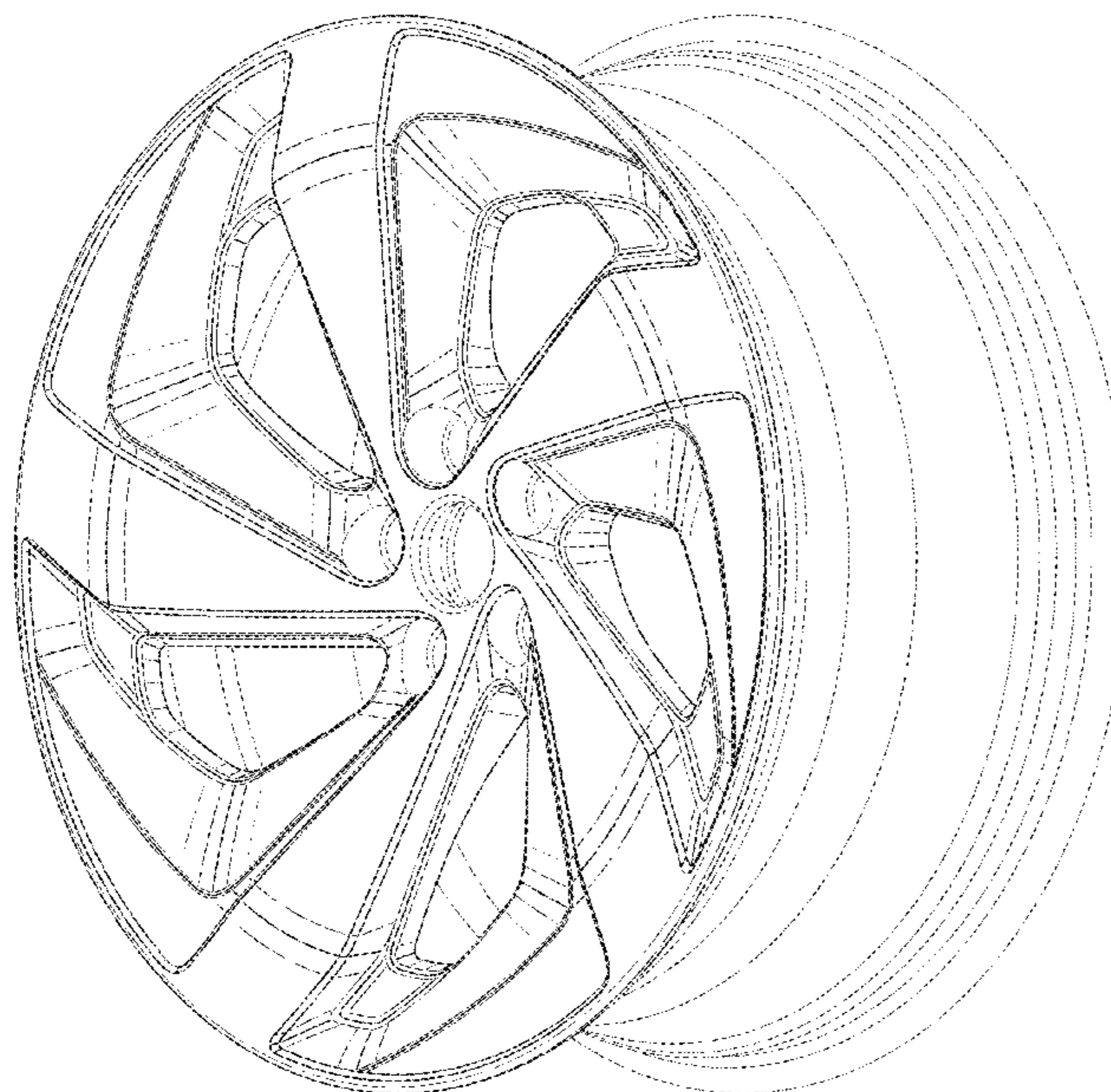
FIG. 6 is a right side view thereof;

FIG. 7 is a top view thereof; and,

FIG. 8 is a bottom view thereof.

The broken lines shown in the drawings depict portions of the vehicle wheel that form no part of the claimed design.

1 Claim, 8 Drawing Sheets



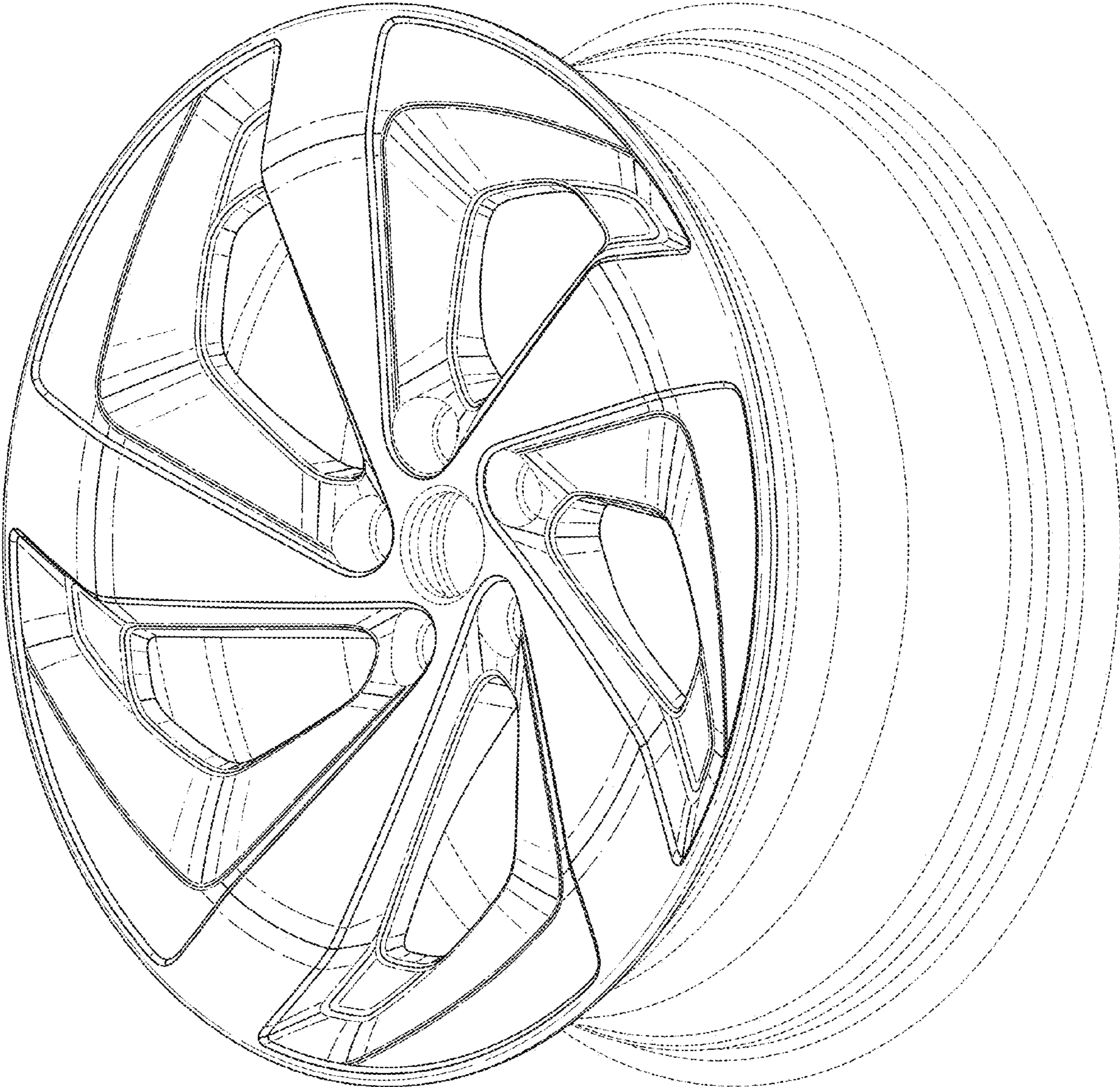


FIG. 1

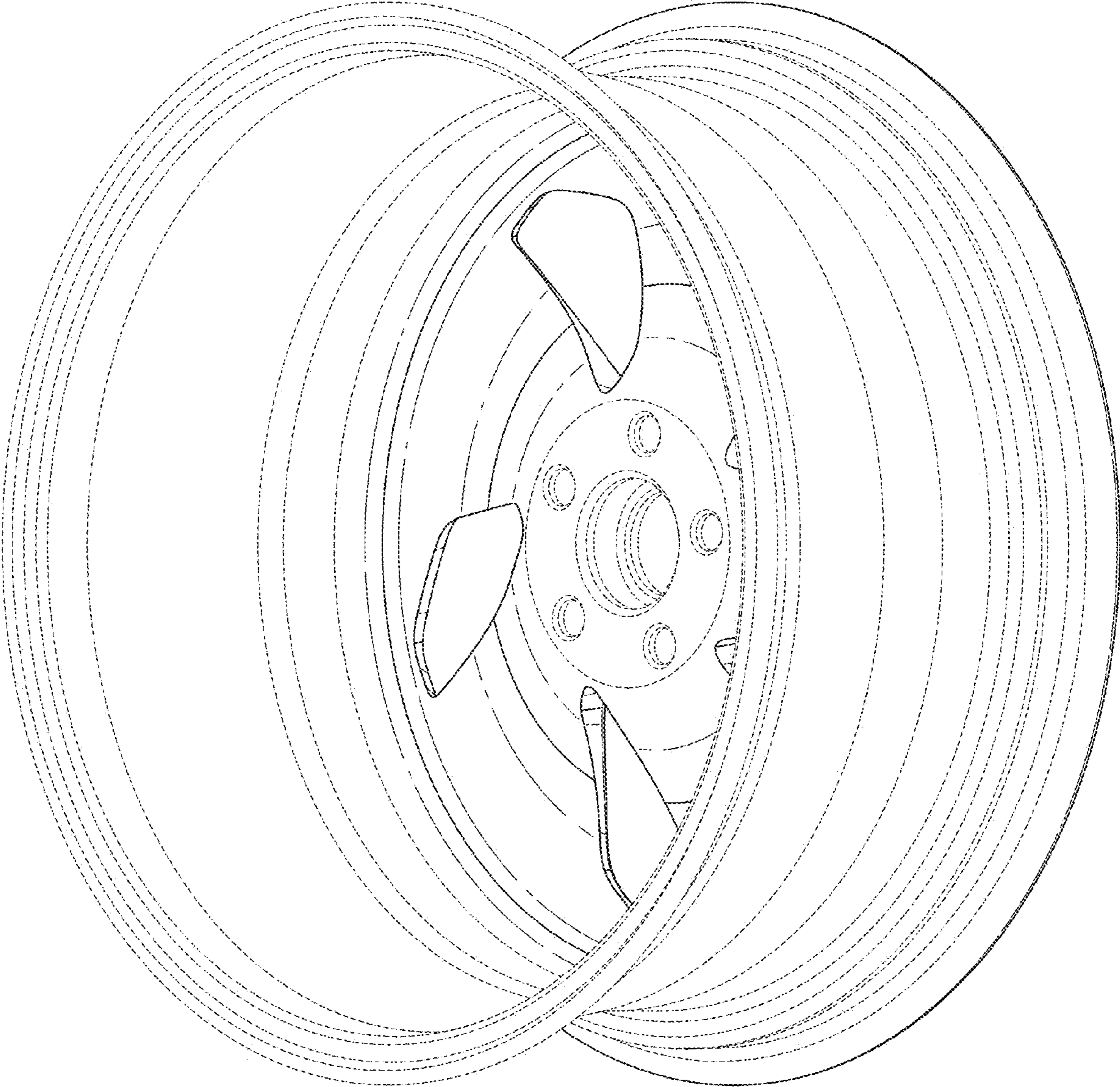


FIG. 2

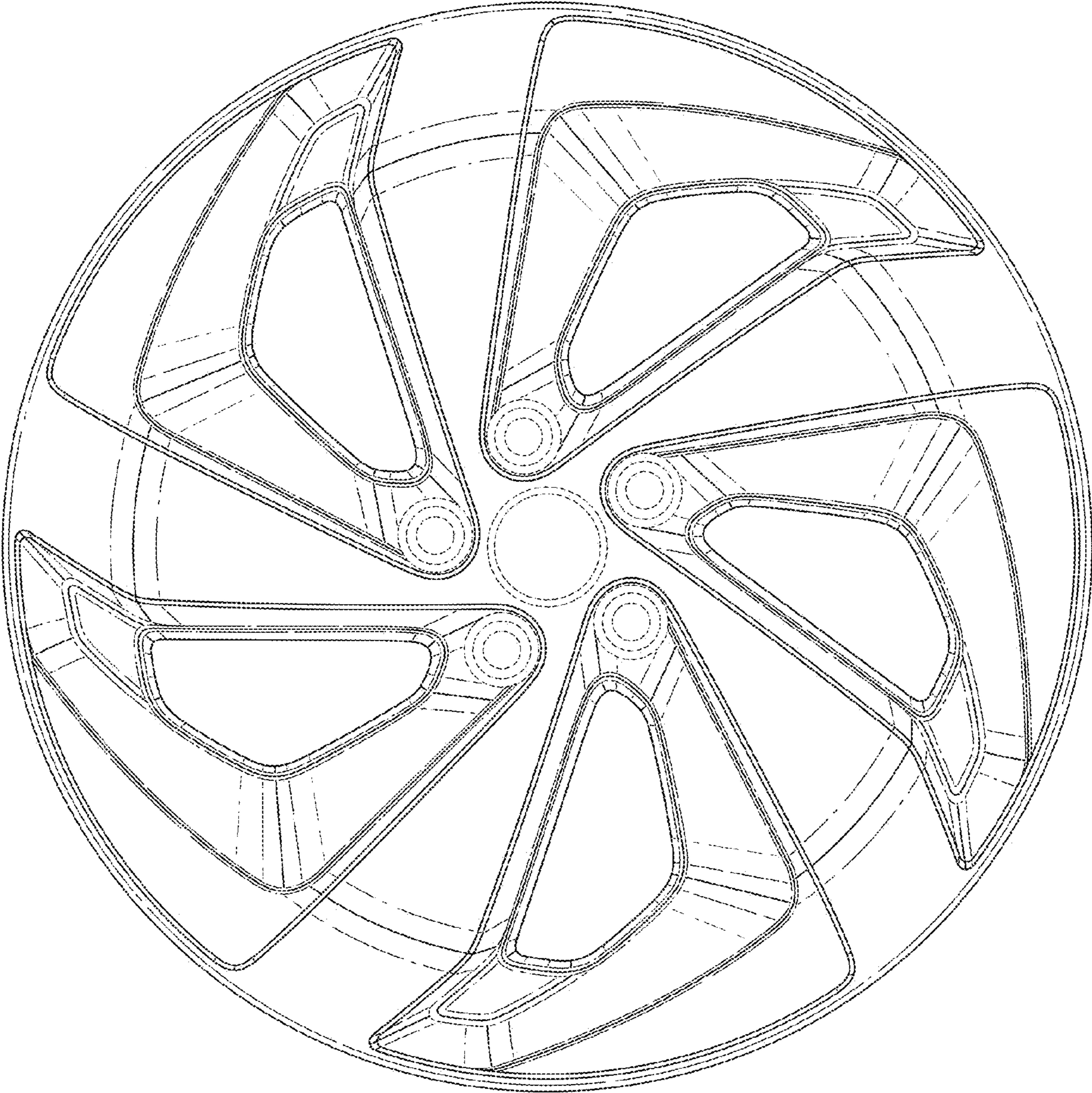


FIG. 3

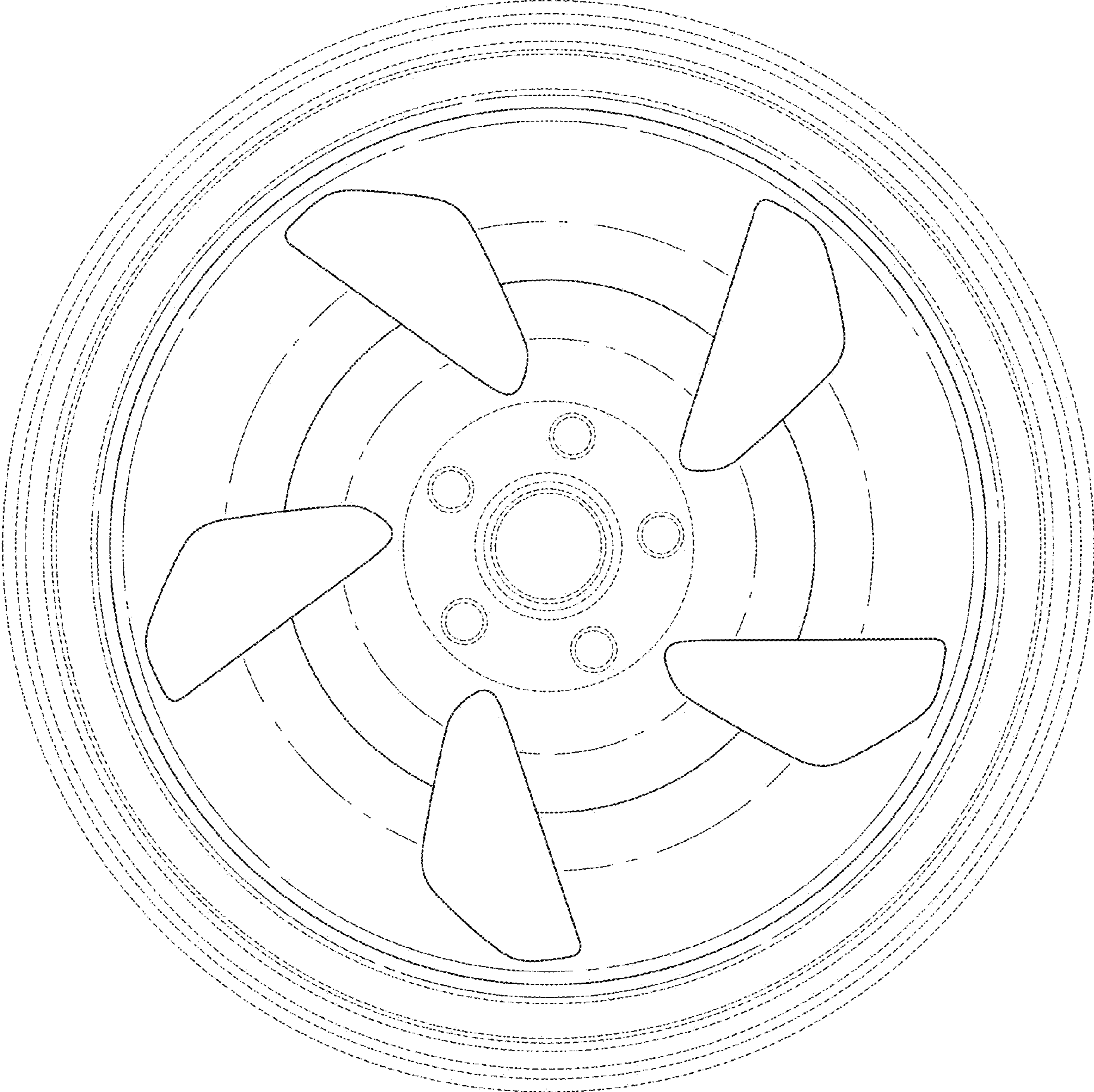


FIG. 4

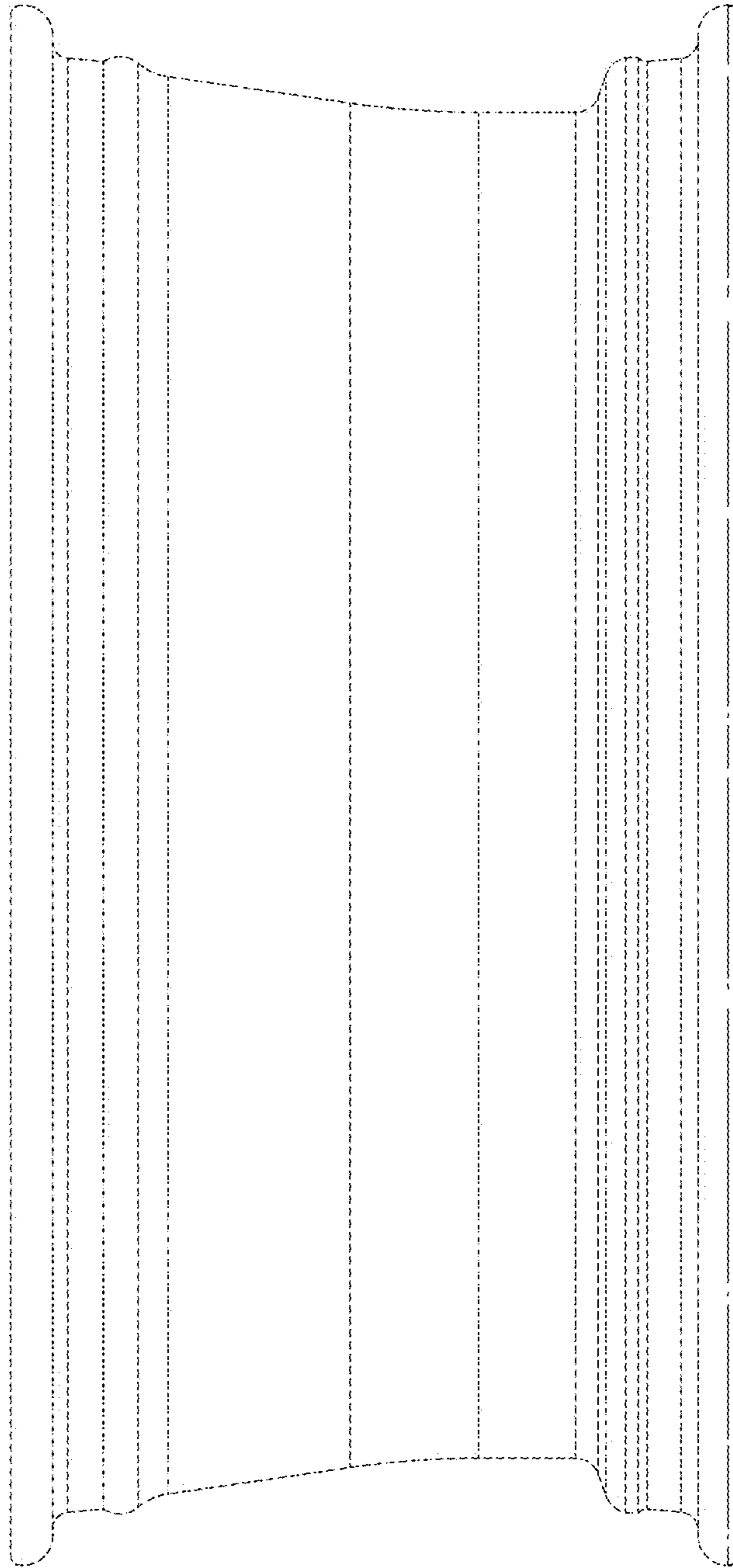


FIG. 5

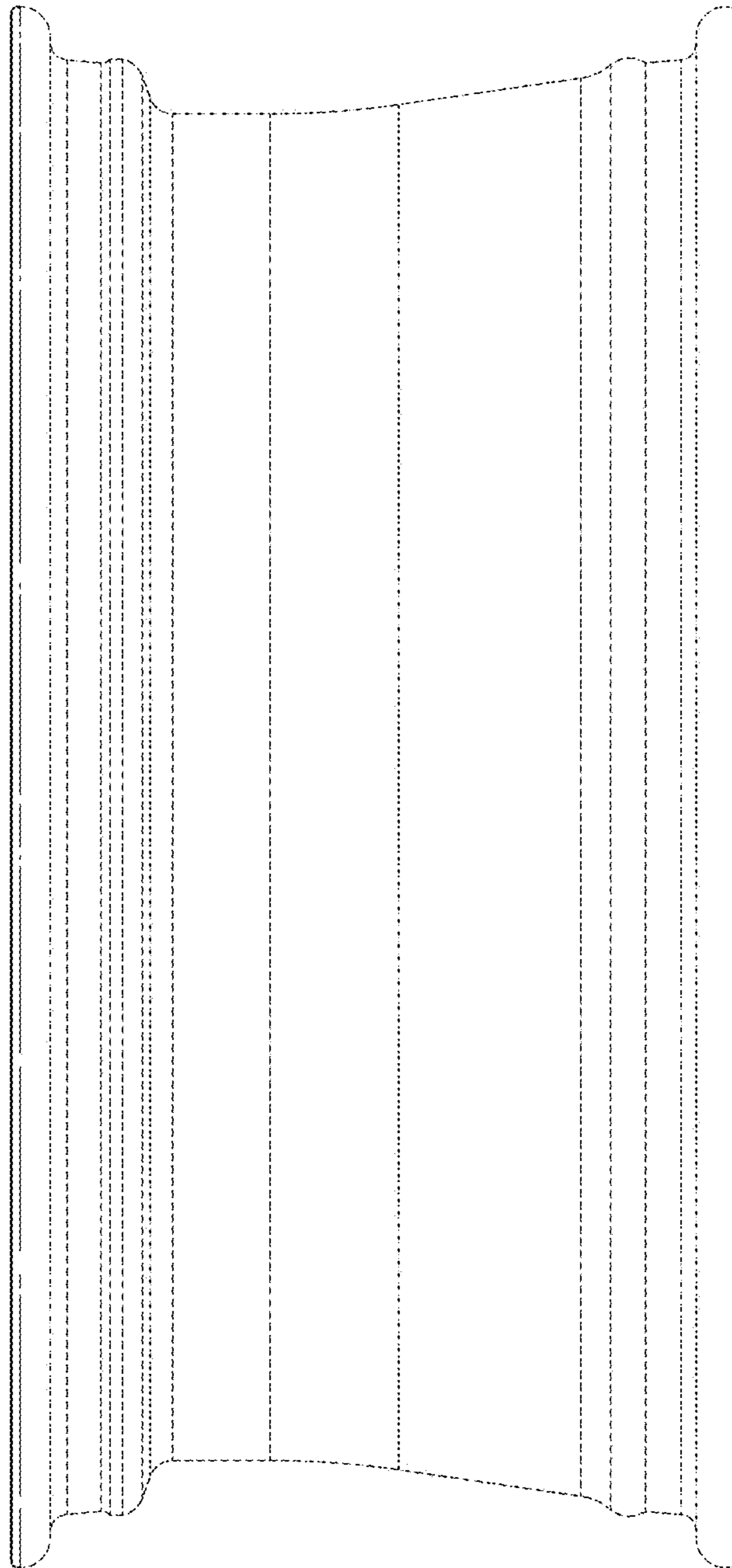


FIG. 6

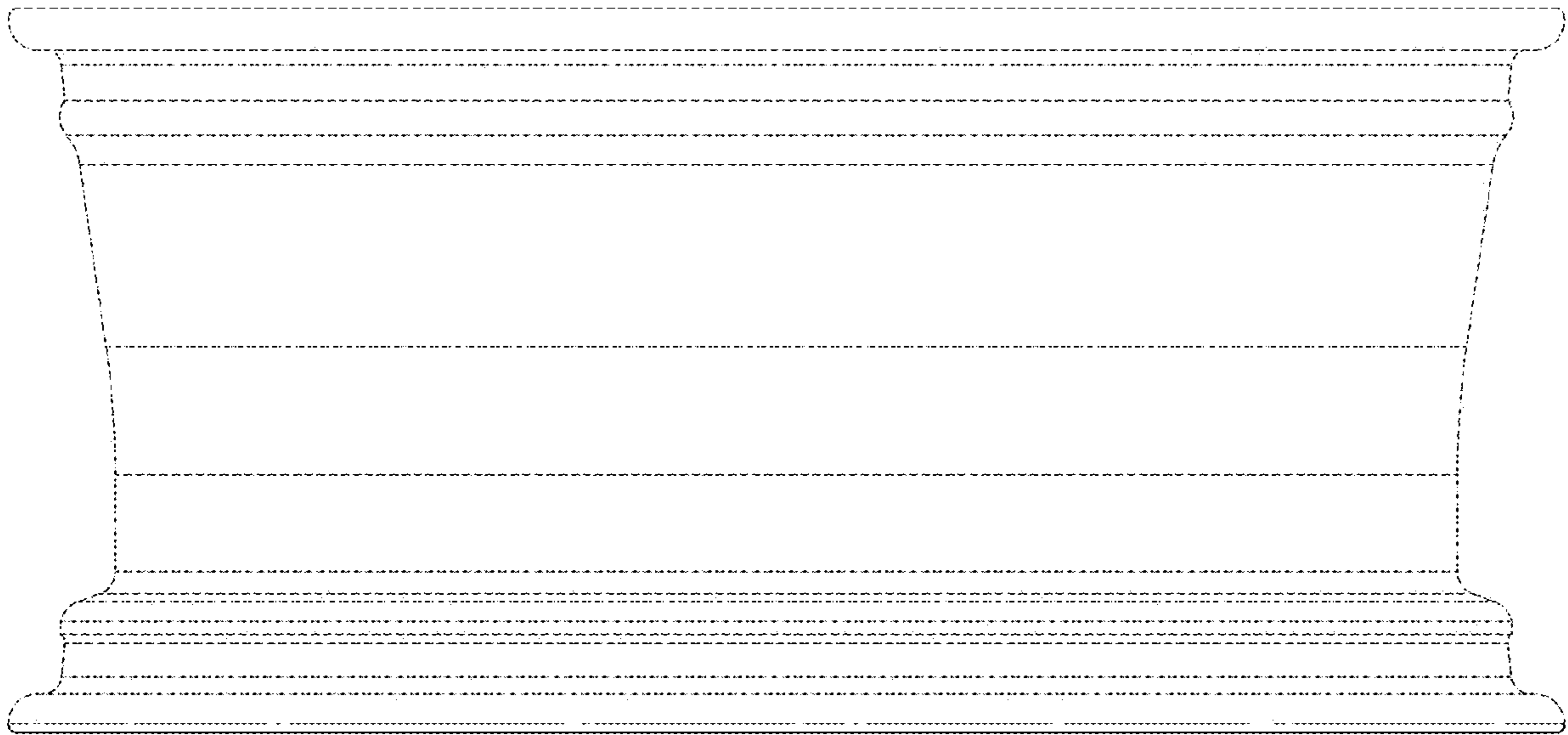


FIG. 7



FIG. 8